



US00D895915S

(12) **United States Design Patent**  
**Brown et al.**

(10) **Patent No.:** **US D895,915 S**  
(45) **Date of Patent:** **\*\* Sep. 8, 2020**

(54) **SIDE BRUSH FOR ROBOTIC VACUUM CLEANER**

(71) Applicant: **SHARKNINJA OPERATING LLC**,  
Needham, MA (US)

(72) Inventors: **Andre D. Brown**, Natick, MA (US);  
**Catriona C. A. Sutter**, London (GB);  
**Frederick K. Hopke**, Medway, MA (US)

(73) Assignee: **SharkNinja Operating LLC**,  
Needham, MA (US)

(\*\*) Term: **15 Years**

(21) Appl. No.: **29/616,646**

(22) Filed: **Sep. 7, 2017**

(51) **LOC (12) Cl.** ..... **15-15**

(52) **U.S. Cl.**  
USPC ..... **D32/31**

(58) **Field of Classification Search**  
USPC ..... D32/21, 31; D13/108-109; 15/319  
CPC ..... E04H 4/1654; A47L 2201/00; A47L  
2201/02; A47L 2201/04; A47L 2201/06;  
A47L 9/0461; A47L 9/2805; B25J 9/1694  
See application file for complete search history.

(56) **References Cited**

**U.S. PATENT DOCUMENTS**

8,667,638 B2 \* 3/2014 Kim ..... A47L 5/22  
15/319  
8,763,200 B2 \* 7/2014 Kim ..... A47L 9/009  
15/319

8,869,342 B2 \* 10/2014 Yoon ..... A47L 11/24  
134/18  
9,950,586 B2 \* 4/2018 Park ..... A47L 11/4066  
9,955,839 B2 \* 5/2018 Maoro ..... A47L 9/0472  
10,092,153 B2 \* 10/2018 Shim ..... A47L 9/0466  
D842,564 S \* 3/2019 Dou ..... D32/31  
10,226,158 B2 \* 3/2019 Ichikawa ..... A47L 9/28  
10,463,215 B2 \* 11/2019 Morin ..... A47L 9/1472  
2013/0152332 A1 \* 6/2013 Jang ..... A47L 9/009  
15/319  
2020/0100640 A1 \* 4/2020 Marutani ..... A47L 9/2873

**FOREIGN PATENT DOCUMENTS**

JP 1479696 S 9/2013  
JP 1480760 S 9/2013  
JP 1489447 S 2/2014  
JP 2016154597 A 9/2016

\* cited by examiner

*Primary Examiner* — Sheryl Lane

*Assistant Examiner* — Calvin E Vansant

(74) *Attorney, Agent, or Firm* — Grossman Tucker  
Perreault & Pfleger, PLLC

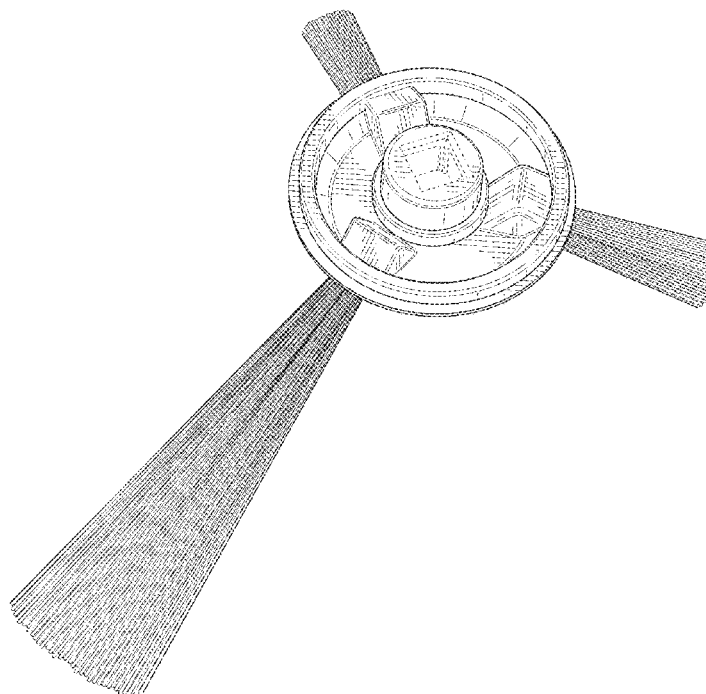
(57) **CLAIM**

The ornamental design for a side brush for a robotic vacuum cleaner, as shown and described.

**DESCRIPTION**

FIG. 1 is a top perspective view of a side brush showing the new design;  
FIG. 2 is a top plan view thereof; and,  
FIG. 3 is a side view thereof.  
Broken lines in the drawings are for the purpose of illustrating portions of the side brush for robotic vacuum cleaner that form no part of the claimed design.

**1 Claim, 3 Drawing Sheets**



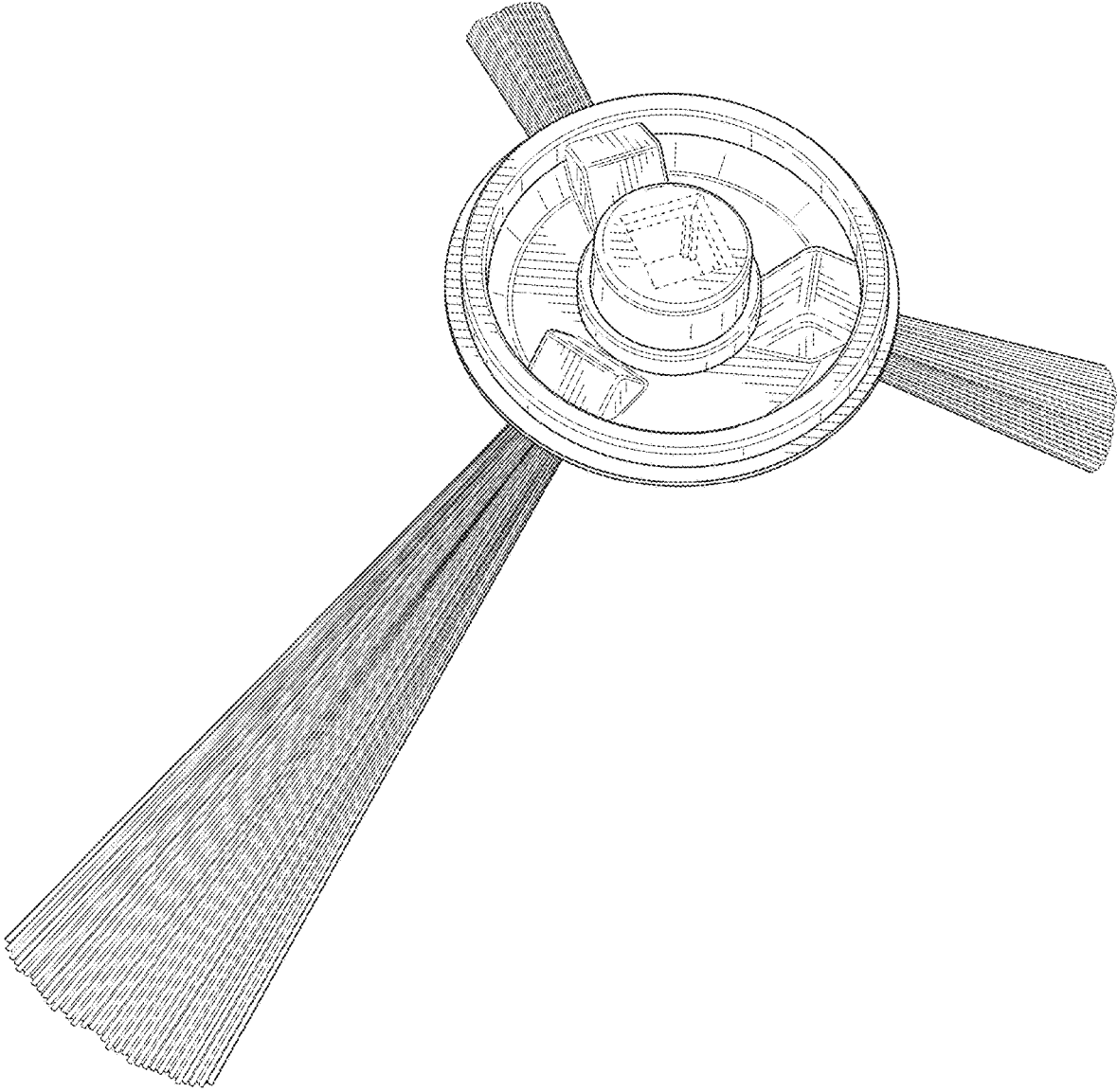


FIG. 1

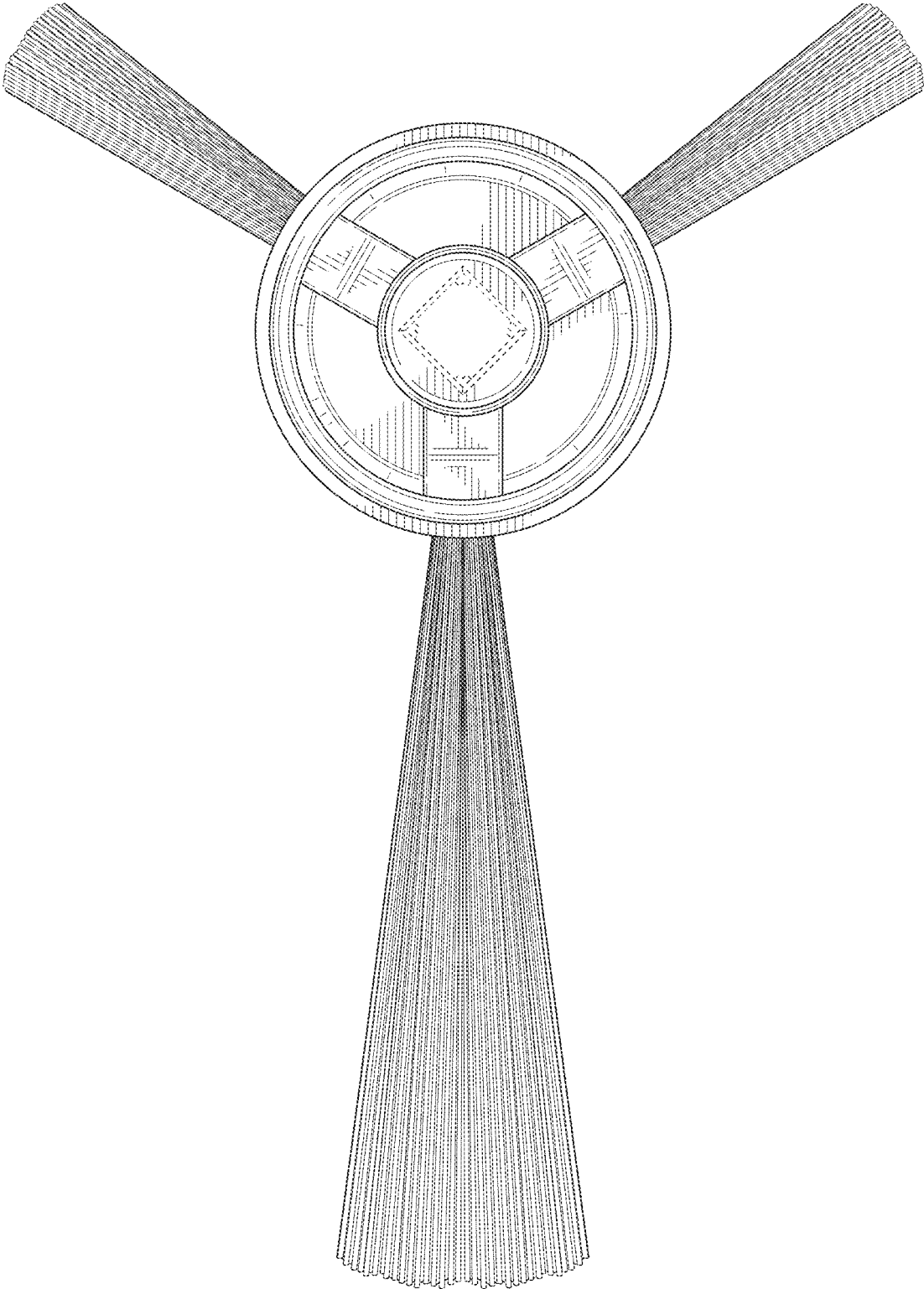


FIG. 2

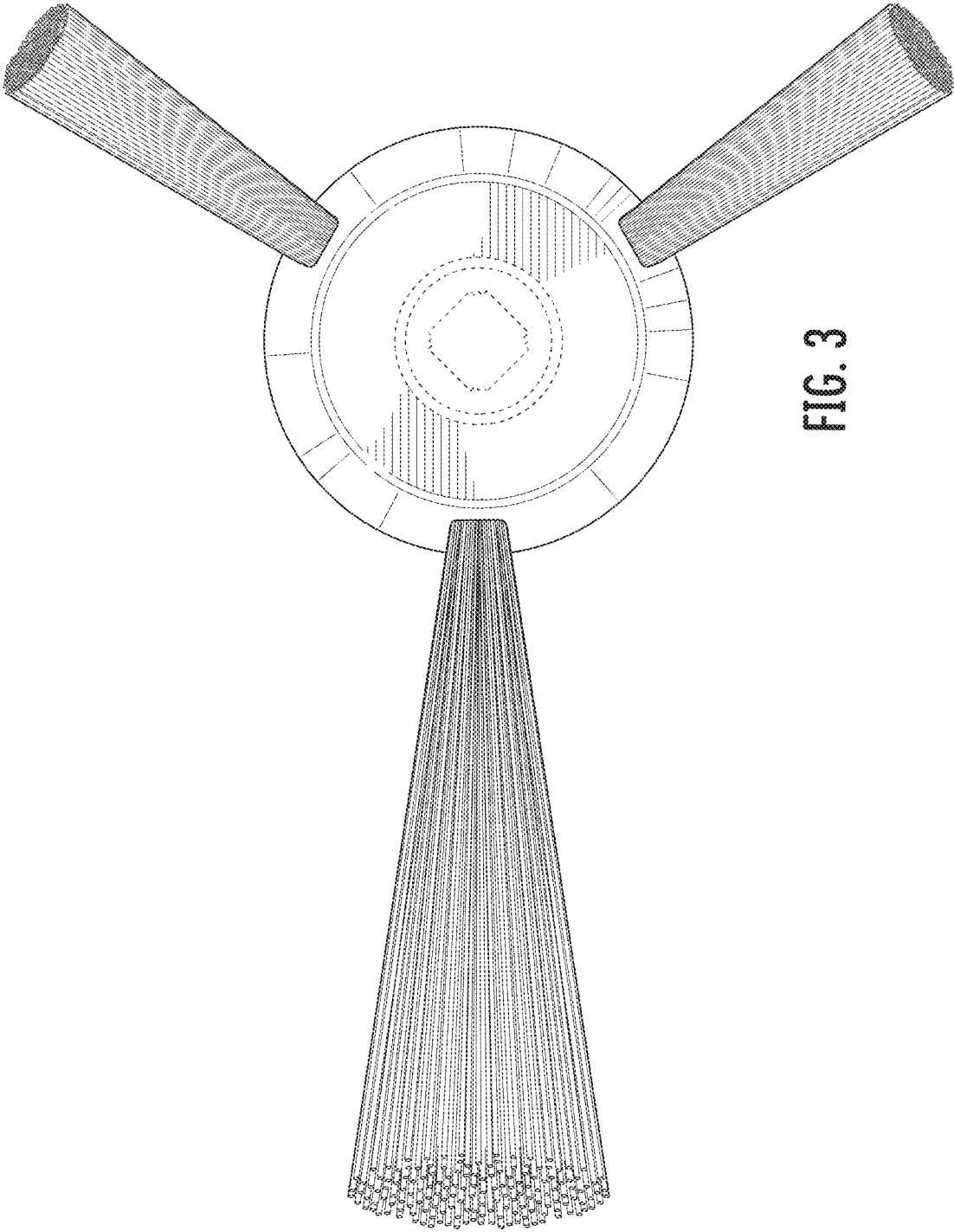


FIG. 3