



US00D799079S

(12) **United States Design Patent**
Dennis et al.

(10) **Patent No.:** **US D799,079 S**

(45) **Date of Patent:** **** Oct. 3, 2017**

(54) **HOUSING FOR A LIGHT**

(71) Applicant: **Lightforce Australia Pty Ltd.**,
Hindmarsh (AU)

(72) Inventors: **Raymond L. Dennis**, Adelaide (AU);
Robert T. Dall, Adelaide (AU)

(73) Assignee: **Lightforce Australia Pty Ltd.**,
Hindmarsh (AU)

(**) Term: **15 Years**

(21) Appl. No.: **29/572,033**

(22) Filed: **Jul. 25, 2016**

(51) **LOC (10) Cl.** **26-06**

(52) **U.S. Cl.**
USPC **D26/28**

(58) **Field of Classification Search**
USPC D26/28-36; 362/80-83, 267-269,
362/459-468, 475-478, 485-487

CPC F21S 48/00; F21S 48/10; F21S 48/115;
F21S 48/1233; F21S 48/1266; F21S
48/1388; F21S 48/2268; F21V 21/04;
B60Q 9/13; B60Q 9/135; B60Q 9/1375

See application file for complete search history.

(56) **References Cited**

U.S. PATENT DOCUMENTS

4,697,226	A	9/1987	Verdin	
4,814,957	A	3/1989	Dennis	
D311,778	S	10/1990	Dennis	
6,185,854	B1	2/2001	Solinsky et al.	
D548,385	S	8/2007	Sharrah et al.	
D550,380	S	* 9/2007	Lin	D26/28
D560,291	S	* 1/2008	Koyama	D26/28
D561,358	S	* 2/2008	Tachibana	D26/28
D567,894	S	4/2008	Sterling et al.	
D569,533	S	* 5/2008	Hsu	D26/28
D570,007	S	* 5/2008	Hsu	D26/28

D585,575	S	1/2009	Crispin et al.	
D593,232	S	* 5/2009	Koman	D26/28
D601,727	S	10/2009	Huang	
D605,789	S	12/2009	Ko	
7,651,245	B2	1/2010	Thomas et al.	
D626,670	S	11/2010	Metzger et al.	
7,988,346	B2	8/2011	Helms et al.	
D657,081	S	4/2012	Alisaukas et al.	
8,277,092	B2	10/2012	Dunn	
D670,839	S	11/2012	Smarslik	
D675,758	S	2/2013	Adams	

(Continued)

OTHER PUBLICATIONS

9" Round 96W Cree Led Driving Sport Work Light (available online Nov. 13, 2014) URL: <https://www.dhgate.com/store/product/96w-9-quot-9-inch-red-cree-led-work-light/235690992.html>.

(Continued)

Primary Examiner — Marcus Jackson
(74) *Attorney, Agent, or Firm* — Wood Herron & Evans LLP

(57) **CLAIM**

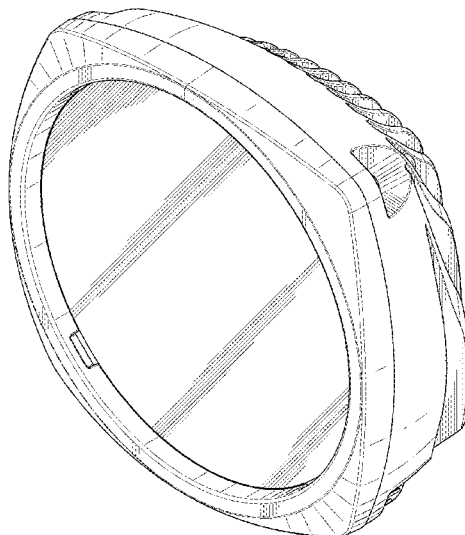
The ornamental design for a housing for a light, as shown and described.

DESCRIPTION

FIG. 1 is a front isometric view of the housing for a light; FIG. 2 is a rear isometric view; FIG. 3 is a front elevational view; FIG. 4 is a rear elevational view; FIG. 5 is a right side elevational view; FIG. 6 is a left side elevational view; FIG. 7 is a top plan view; and, FIG. 8 is a bottom plan view.

The features of the housing for a light shown in broken lines are for illustrative purposes only and form no part of the claimed design.

1 Claim, 7 Drawing Sheets



(56)

References Cited

U.S. PATENT DOCUMENTS

D676,162	S	2/2013	Adams
D676,990	S	2/2013	Adams
D680,893	S	4/2013	Adams
D682,459	S	5/2013	Gordin et al.
D688,399	S	8/2013	Adams
D694,920	S	12/2013	Jurgens et al.
D704,363	S	5/2014	Adams
D704,364	S	5/2014	Adams
D704,365	S	5/2014	Adams
D708,778	S	7/2014	Sibitzky et al.
D712,077	S	8/2014	Leban et al.
D718,478	S	11/2014	Adams
8,899,803	B2	12/2014	Marley
D722,713	S	2/2015	Burns
9,068,712	B2	6/2015	Ting et al.
D734,526	S	7/2015	Gordin et al.
D739,072	S	9/2015	Adams et al.

D742,059	S	10/2015	Gettings et al.
D748,831	S	2/2016	Fan
D748,848	S	2/2016	Laukkanen
D752,266	S	3/2016	Dall
D754,891	S	4/2016	Leban et al.
D760,407	S	6/2016	Yang
2007/0076413	A1	4/2007	Mingozzi
2009/0296412	A1	12/2009	Ogawa et al.
2012/0057351	A1	3/2012	Wilcox et al.
2013/0265755	A1	10/2013	Adams

OTHER PUBLICATIONS

215mm Round Led Driving Light (available online Jan. 24, 2016)
 URL: <https://www.lightforceusa.com/lights/215mm-round-led-driving-light>.
 180mm Round LED Driving Light (available online) URL: <https://www.lightforceusa.com/lights/180mm-round-led-driving-light>.

* cited by examiner

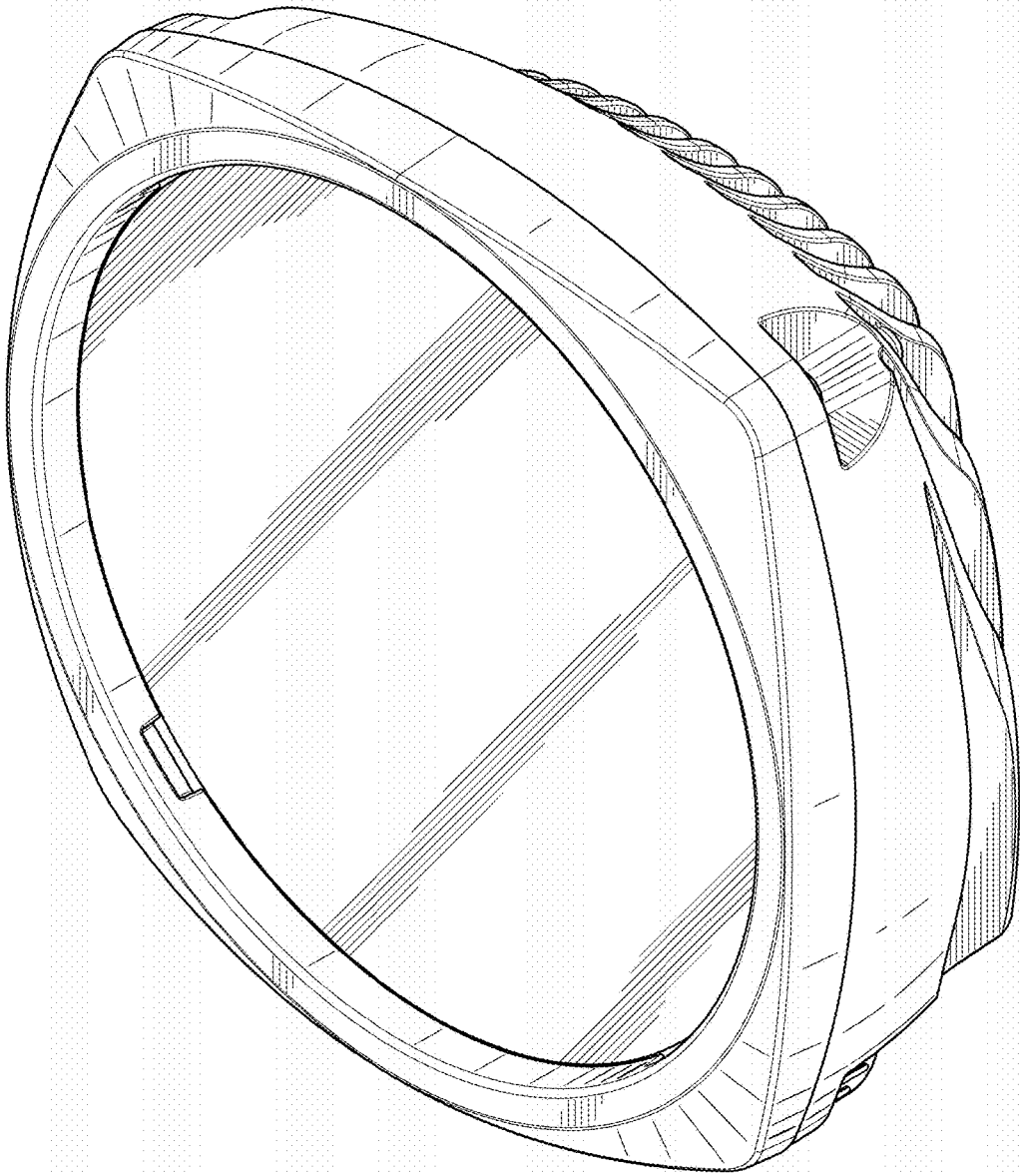


FIG. 1

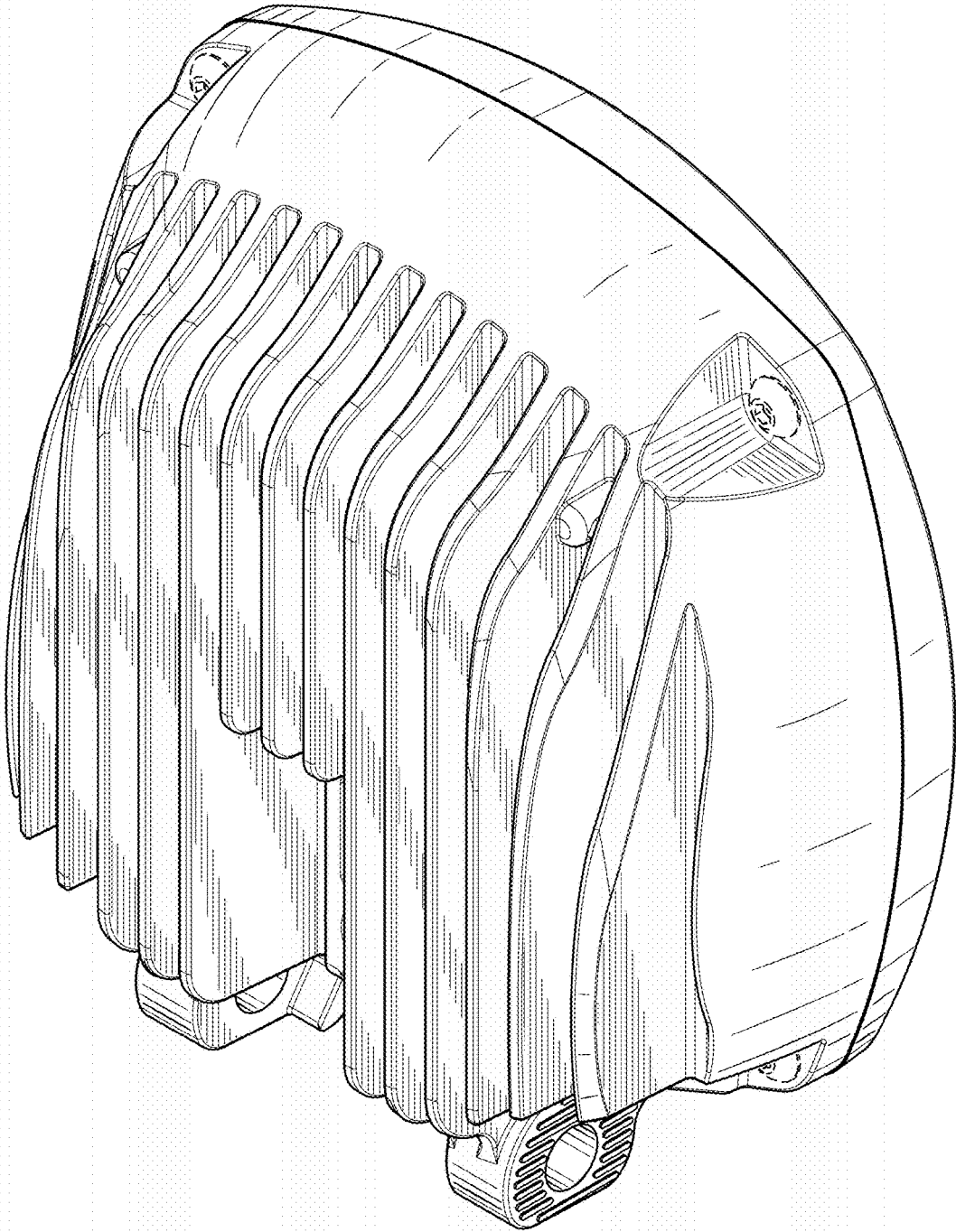


FIG. 2

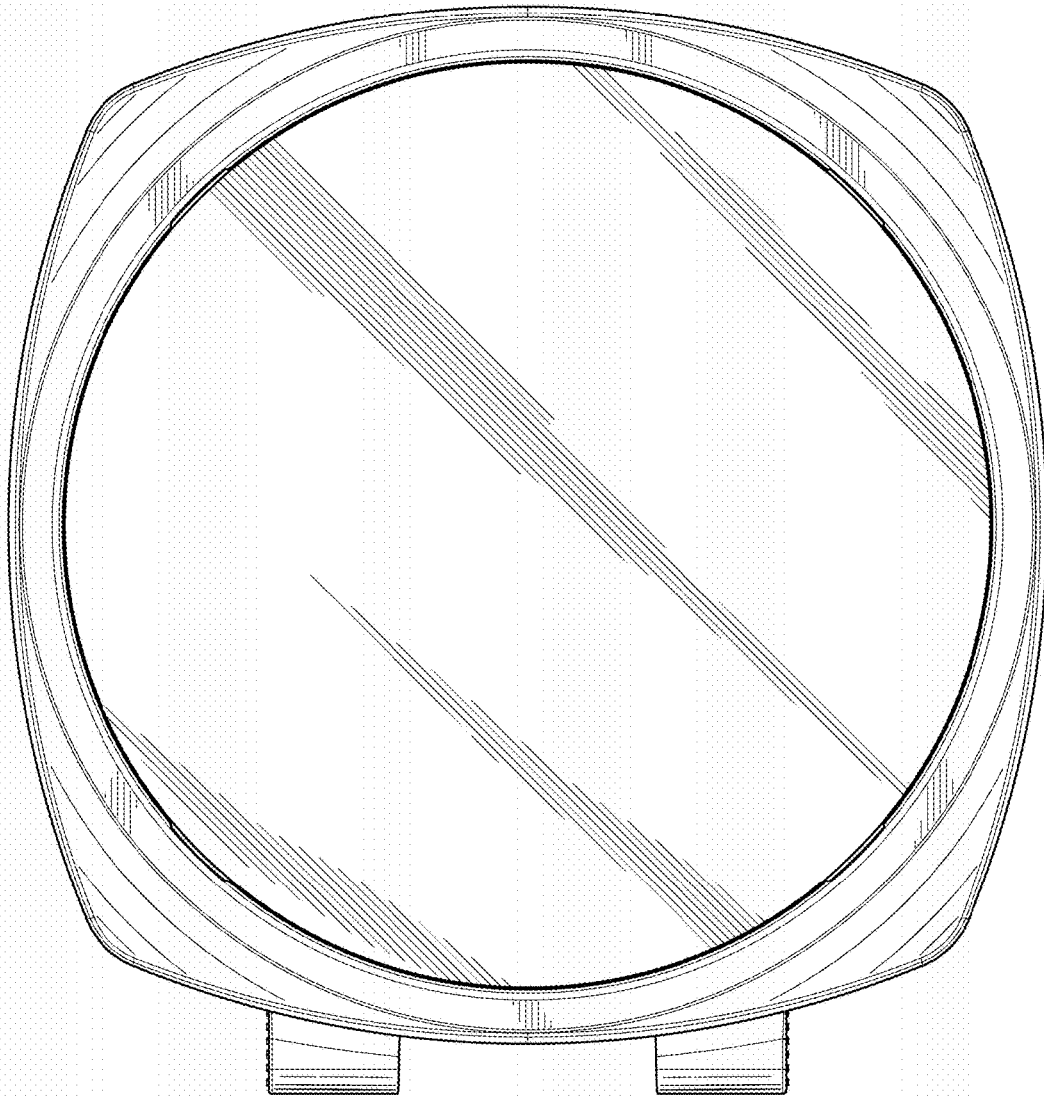


FIG. 3

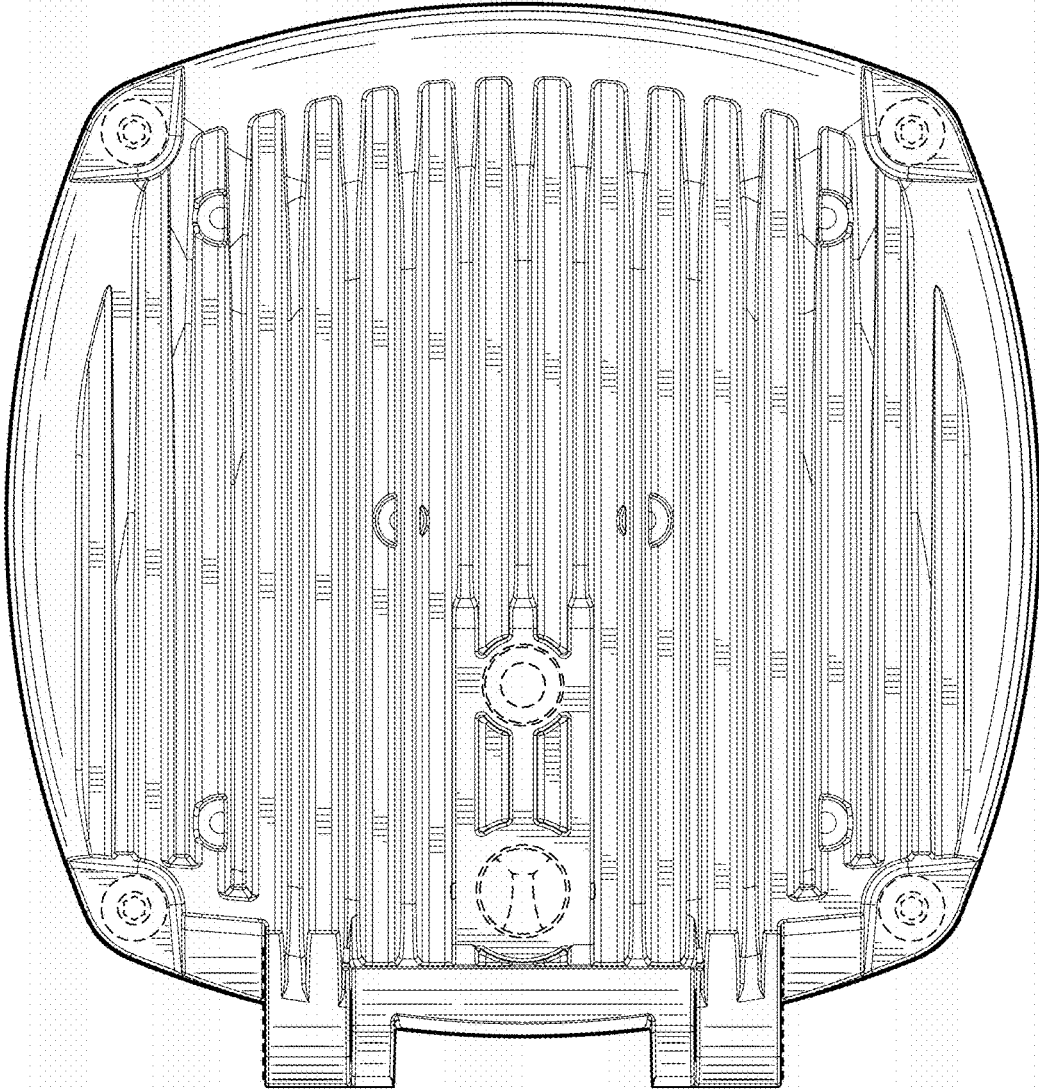


FIG. 4

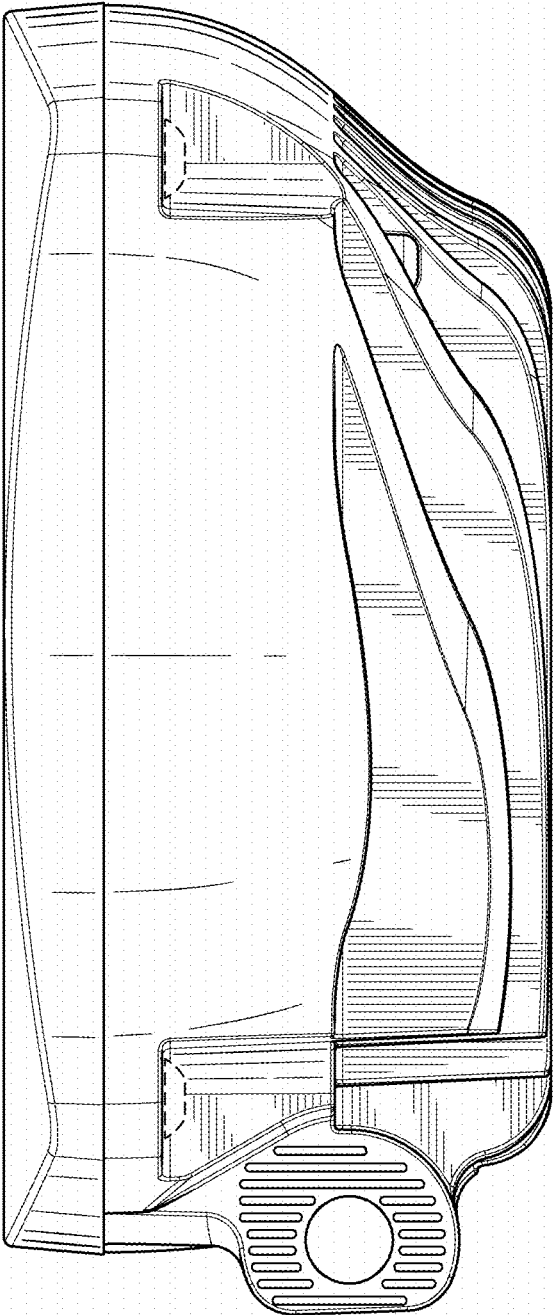


FIG. 5

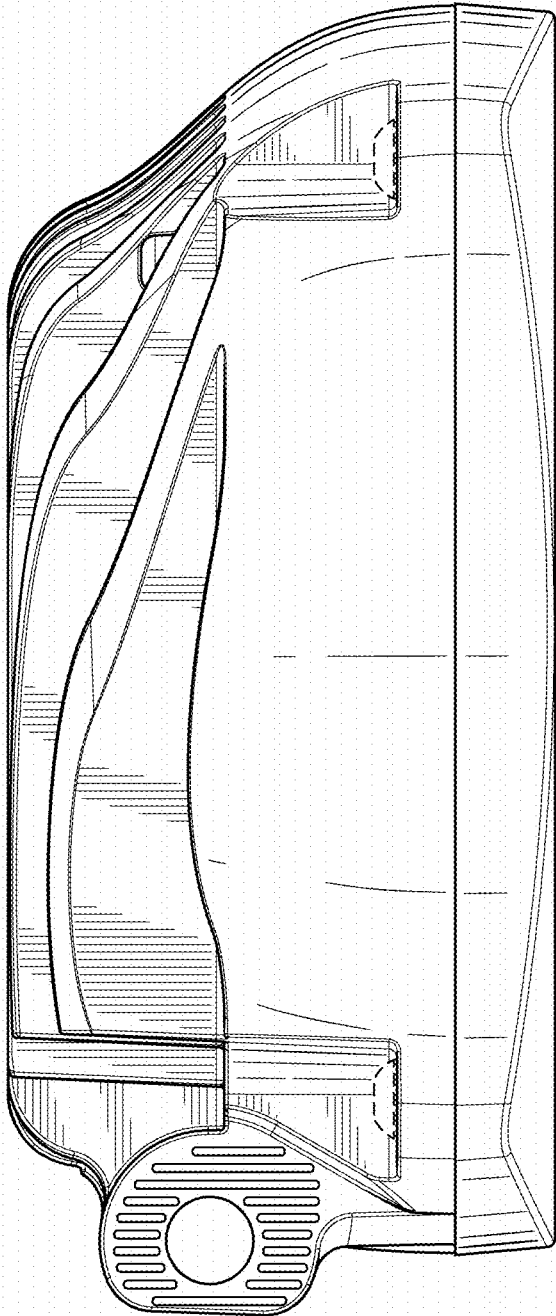


FIG. 6

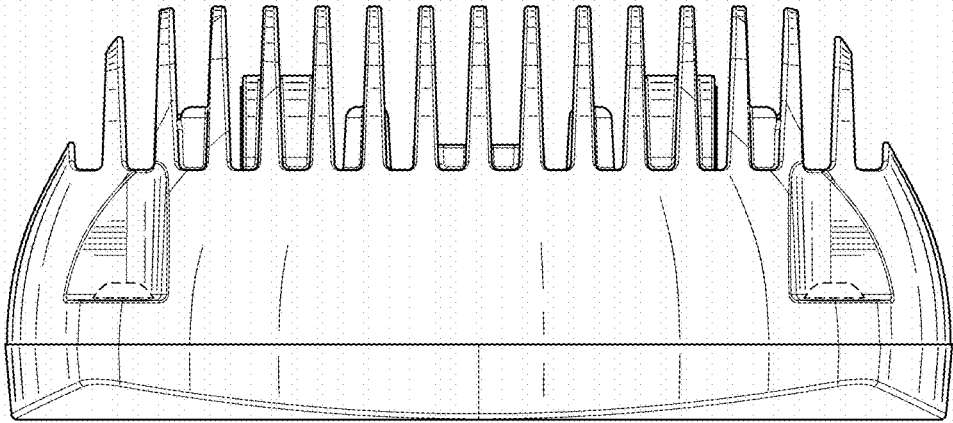


FIG. 7

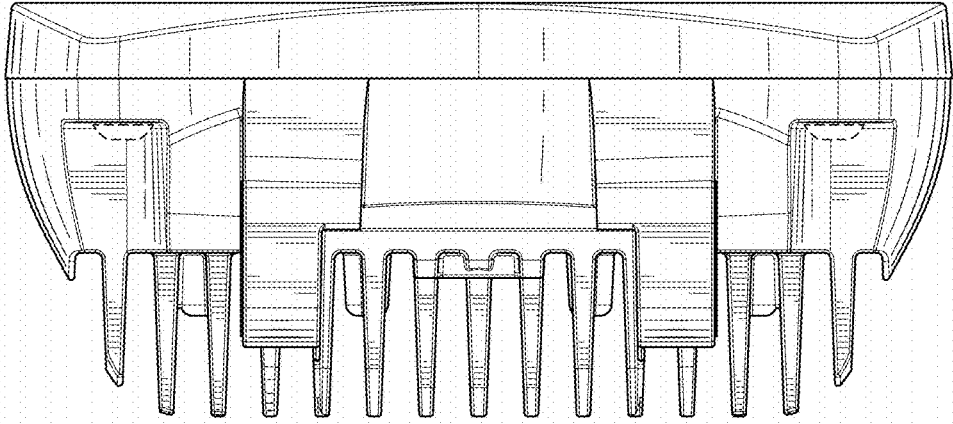


FIG. 8