



US00D344708S

United States Patent [19] Ho

[11] Patent Number: **Des. 344,708**

[45] Date of Patent: **** Mar. 1, 1994**

[54] **BATTERY CHARGER FOR HANDHELD ELECTRONIC GAME**

5,052,943 10/1991 Davis 320/2 X

[75] Inventor: **Patrick T. Ho, Kwai Chung, Hong Kong**

Primary Examiner—Wallace R. Burke
Assistant Examiner—Joel Sincavage
Attorney, Agent, or Firm—Burns, Doane, Swecker & Mathis

[73] Assignee: **STD Electronic International Ltd., Hong Kong**

[**] Term: **14 Years**

[57] **CLAIM**

The ornamental design for a battery charger for handheld electronic game, as shown and described.

[21] Appl. No.: **903,657**

[22] Filed: **Jun. 24, 1992**

[30] **Foreign Application Priority Data**

Jan. 6, 1992 [GB] United Kingdom 2020031

[52] U.S. Cl. **D13/108**

[58] Field of Search 320/234; D13/107, 108, D13/144; D14/114, 217, 218, 240

DESCRIPTION

FIG. 1 is a front elevational view of a battery charger for a handheld electronic game, showing my new design;

FIG. 2 is a rear elevational view thereof;

FIG. 3 is a left side view thereof;

FIG. 4 is a right side view thereof;

FIG. 5 is a top plan view thereof;

FIG. 6 is a bottom plan view thereof;

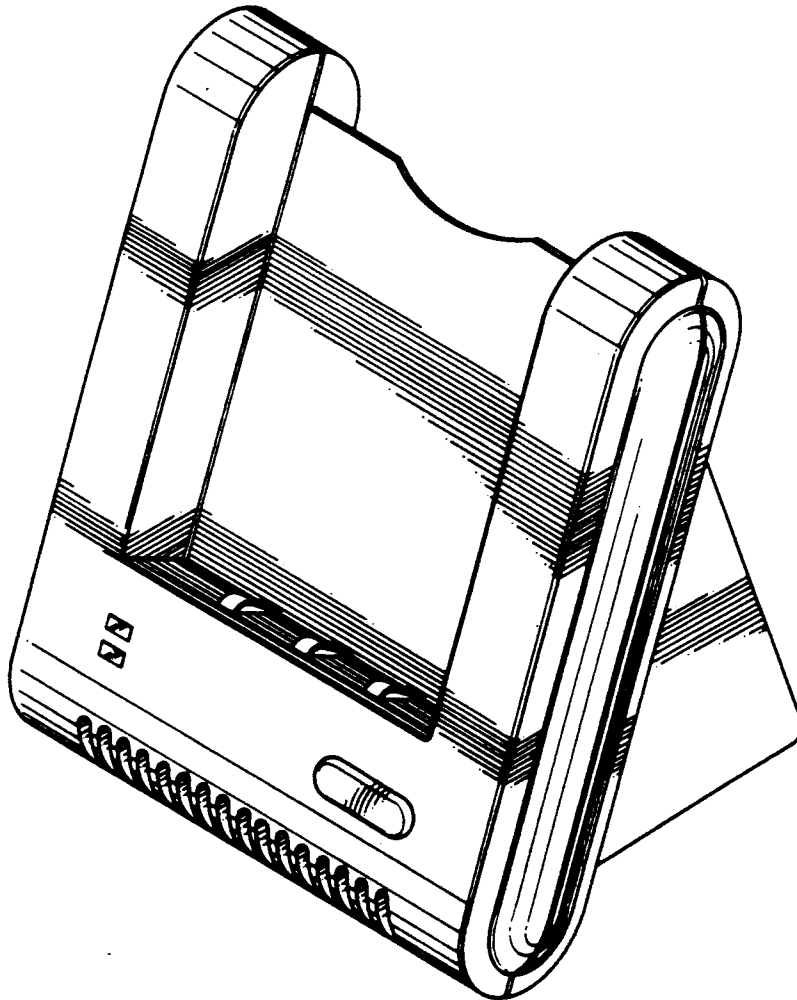
FIG. 7 is a front, upper right perspective view thereof; and,

FIG. 8 is a bottom, lower left perspective view thereof.

[56] **References Cited**

U.S. PATENT DOCUMENTS

D. 277,662 2/1985 Huntington et al. D13/107



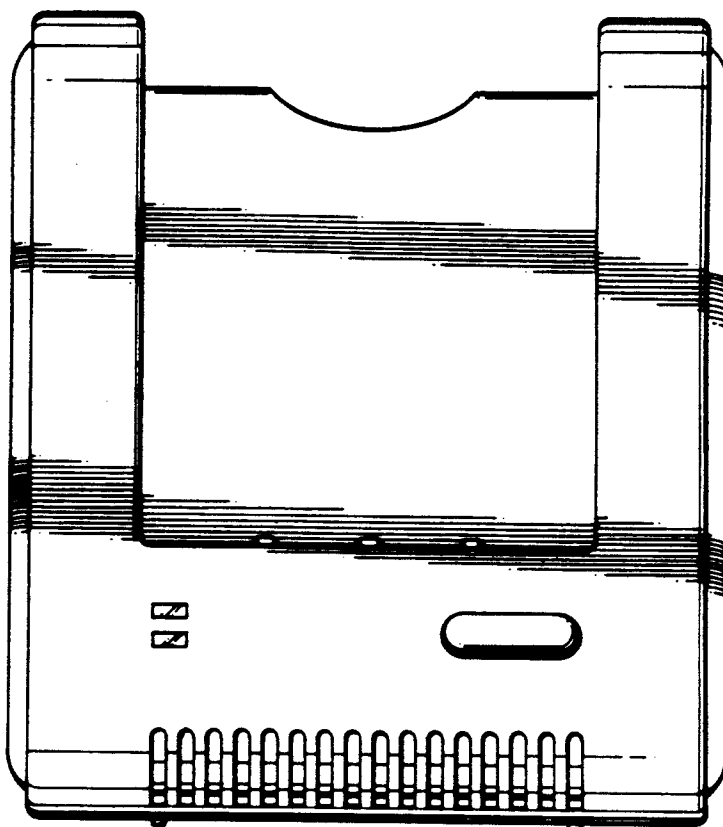


FIG. 1

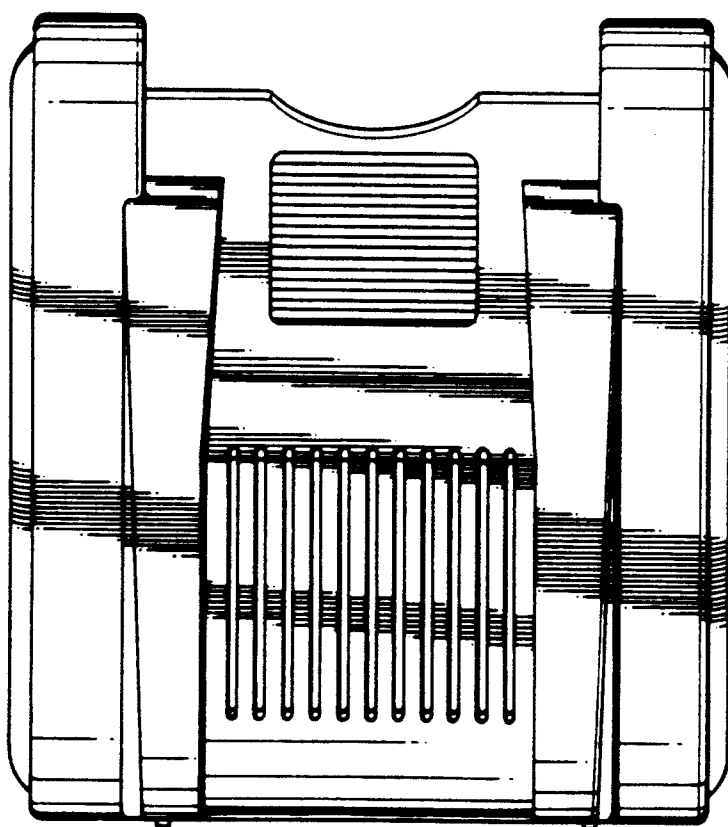


FIG. 2

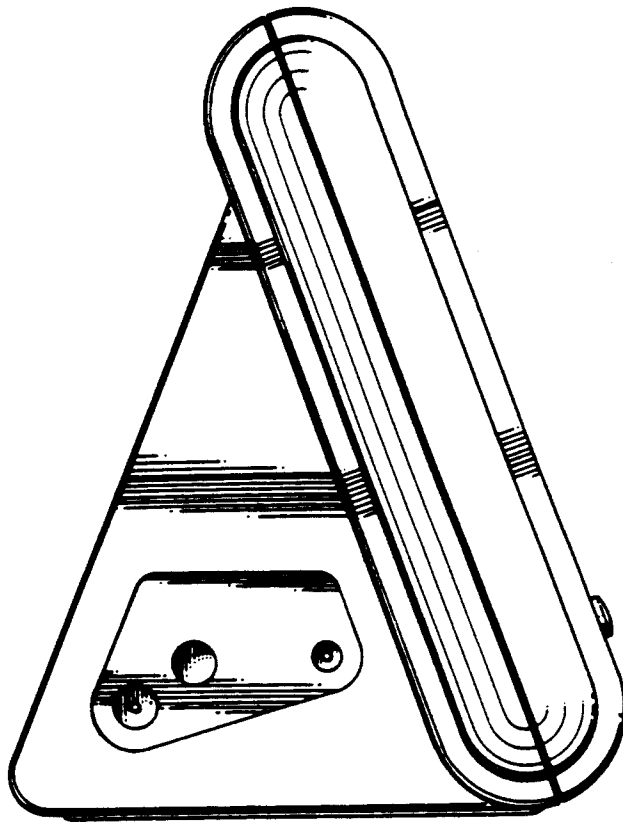


FIG. 3

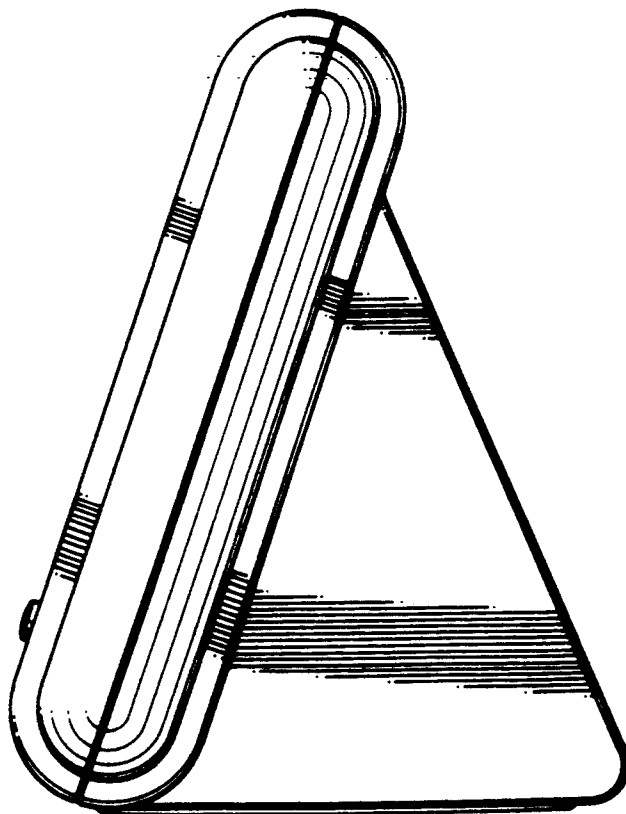


FIG. 4

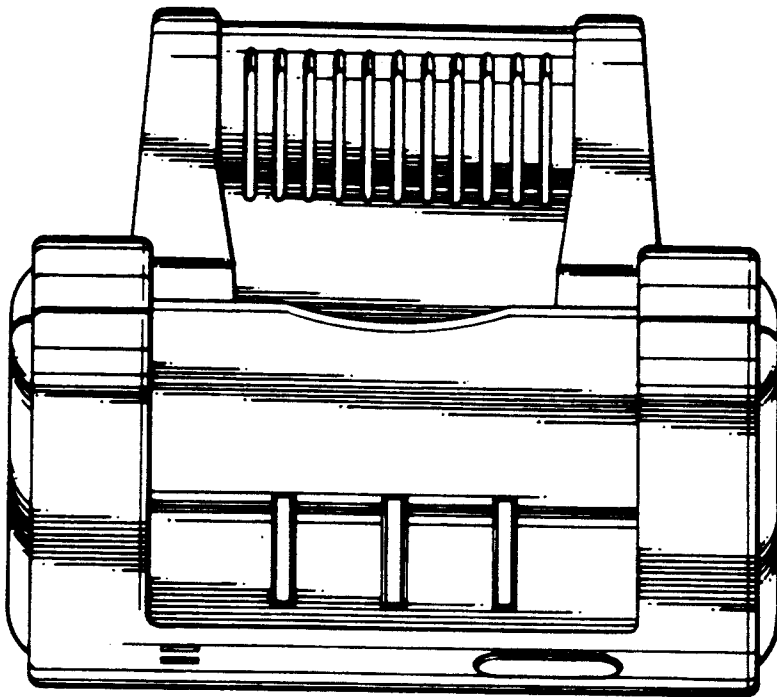


FIG. 5

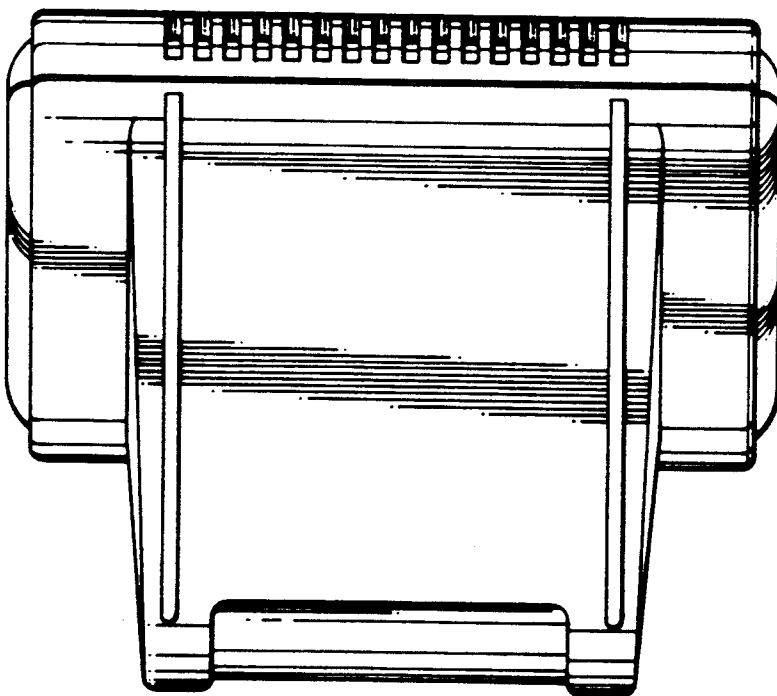


FIG. 6

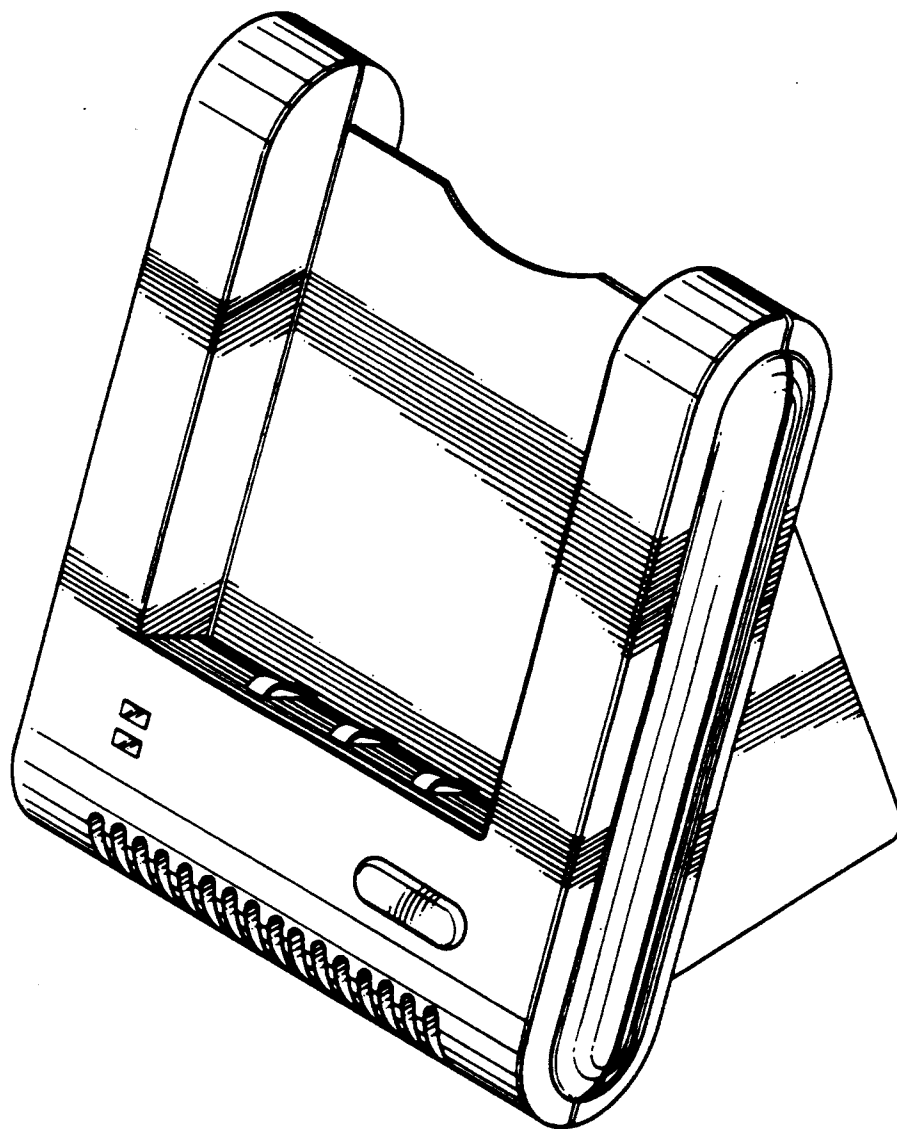


FIG. 7

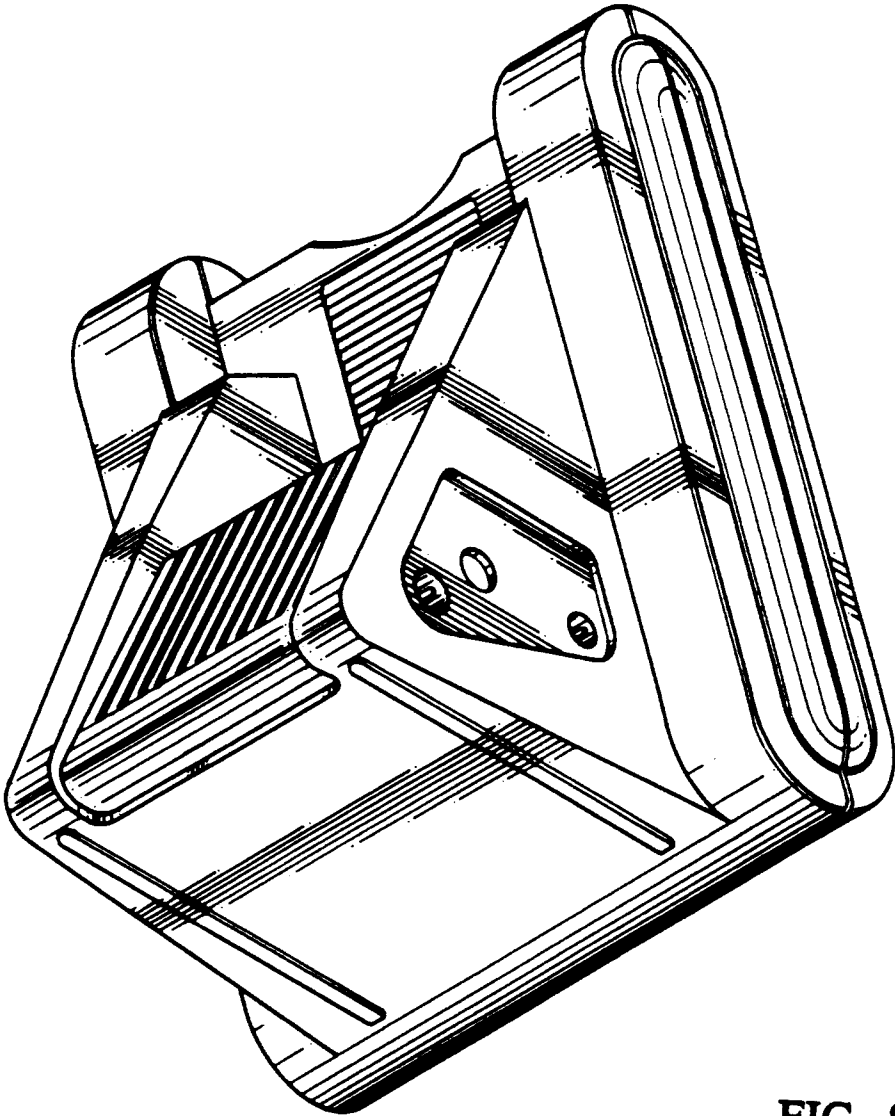


FIG. 8