



US00D733155S

(12) **United States Design Patent**  
**van Hooft et al.**

(10) **Patent No.:** **US D733,155 S**

(45) **Date of Patent:** **\*\* Jun. 30, 2015**

(54) **LAPTOP STAND**

(71) Applicant: **BakkerElkhuizen Innovations B.V.**,  
Almere (NL)

(72) Inventors: **Jan Thomas Lambertus van Hooft**,  
Almere (NL); **Tristan Margareth**  
**Raphael Petronella Frencken**, Almere  
(NL)

(73) Assignee: **BakkerElkhuizen Innovations B.V.**,  
Almere (NL)

(\*\*) Term: **14 Years**

(21) Appl. No.: **29/502,516**

(22) Filed: **Sep. 17, 2014**

(51) **LOC (10) Cl.** ..... **14-04**

(52) **U.S. Cl.**  
USPC ..... **D14/447**

(58) **Field of Classification Search**  
USPC ..... D14/447, 451, 452, 439, 440, 432, 457,  
D14/460, 461, 217, 239, 251, 253;  
D6/406.3, 406.4, 406.5, 406.6;  
248/460, 917-924, 150, 176.1, 177.1,  
248/181.1, 188.7; 361/679.02, 679.06,  
361/679.07, 679.09, 679.21, 679.22,  
361/679.26, 679.27, 679.3, 679.55, 679.56;  
D8/363, 373, 380  
CPC ..... F16M 2200/00; F16M 13/00; A45C  
2011/003; A45C 2011/002; A47B 2023/049;  
A47B 2097/005; A47B 2097/006; A47B 21/04  
See application file for complete search history.

(56) **References Cited**

**U.S. PATENT DOCUMENTS**

D413,872 S \* 9/1999 Jessen ..... D14/447  
D414,166 S \* 9/1999 De Paris ..... D14/447  
D443,999 S \* 6/2001 Cable ..... D6/406.4

6,305,038 B1 10/2001 Elkhuizen et al.  
D480,088 S 9/2003 Bakker et al.  
6,913,238 B2 7/2005 Bakker et al.  
D533,558 S 12/2006 Elkhuizen et al.  
D571,815 S \* 6/2008 Chung ..... D14/447  
D576,168 S \* 9/2008 Ostroff ..... D14/447  
D578,539 S 10/2008 Bouwknecht et al.  
D578,540 S 10/2008 Bouwknecht et al.  
7,515,408 B2 4/2009 Bakker et al.

(Continued)

*Primary Examiner* — Angela J Lee

(74) *Attorney, Agent, or Firm* — Leydig, Voit & Mayer, Ltd.

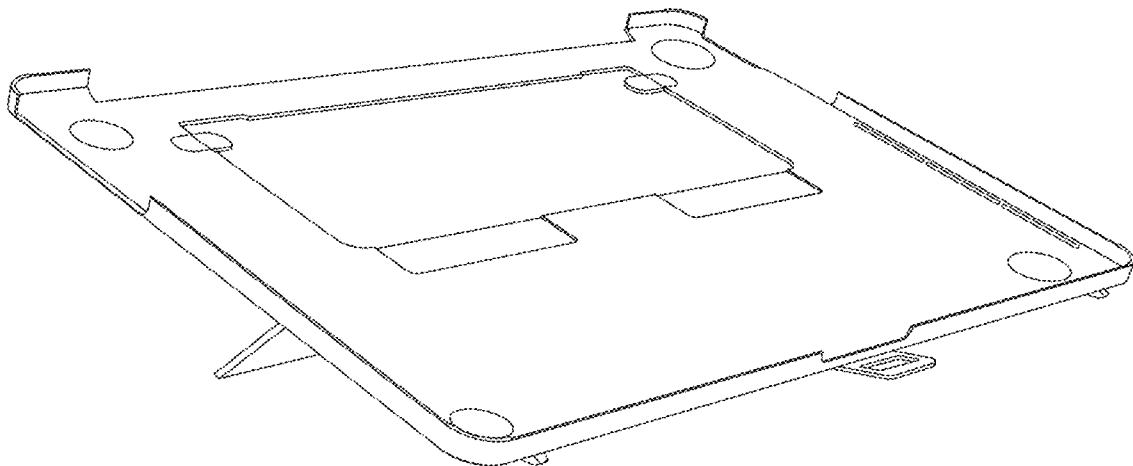
(57) **CLAIM**

We claim the ornamental design for a laptop stand, as shown and described.

**DESCRIPTION**

FIG. 1 is a top perspective view of a laptop stand according to the present invention.  
FIG. 2 is a bottom perspective view of the laptop stand of FIG. 1, from a front end thereof.  
FIG. 3 is a bottom perspective view of the laptop stand of FIG. 1, from the front end thereof and illustrating the laptop stand in a collapsed position.  
FIG. 4 is a bottom perspective view of the laptop stand of FIG. 1, from a rear end thereof.  
FIG. 5 is a top plan view of the laptop stand of FIG. 1, illustrating the laptop stand in the collapsed position.  
FIG. 6 is a bottom plan view of the laptop stand of FIG. 1, illustrating the laptop stand in the collapsed position.  
FIG. 7 is a front elevational view of the laptop stand of FIG. 1, illustrating the laptop stand in the collapsed position.  
FIG. 8 is a left side elevational view of the laptop stand of FIG. 1, illustrating the laptop stand in the collapsed position. The right side elevational view is a mirror image of the left side; and,  
FIG. 9 is a rear elevational view of the laptop stand of FIG. 1, illustrating the laptop stand in the collapsed position.

**1 Claim, 9 Drawing Sheets**



(56)

**References Cited**

U.S. PATENT DOCUMENTS

D620,942	S	*	8/2010	Huang	.....	D14/447	8,800,937	B1	*	8/2014	Lee et al.	.....	248/65
D624,922	S	*	10/2010	Hui et al.	.....	D14/447	2003/0111582	A1		6/2003	Bakker et al.		
D678,298	S	*	3/2013	Burridge	.....	D14/447	2004/0007649	A1	*	1/2004	Vettraino	.....	248/127
D678,886	S	*	3/2013	Heckler	.....	D14/447	2005/0207112	A1		9/2005	Bakker et al.		
D705,785	S	*	5/2014	Wang	.....	D14/447	2005/0268673	A1		12/2005	Bakker et al.		
							2006/0266086	A1		11/2006	Bakker et al.		
							2008/0037213	A1	*	2/2008	Haren	.....	361/687

\* cited by examiner

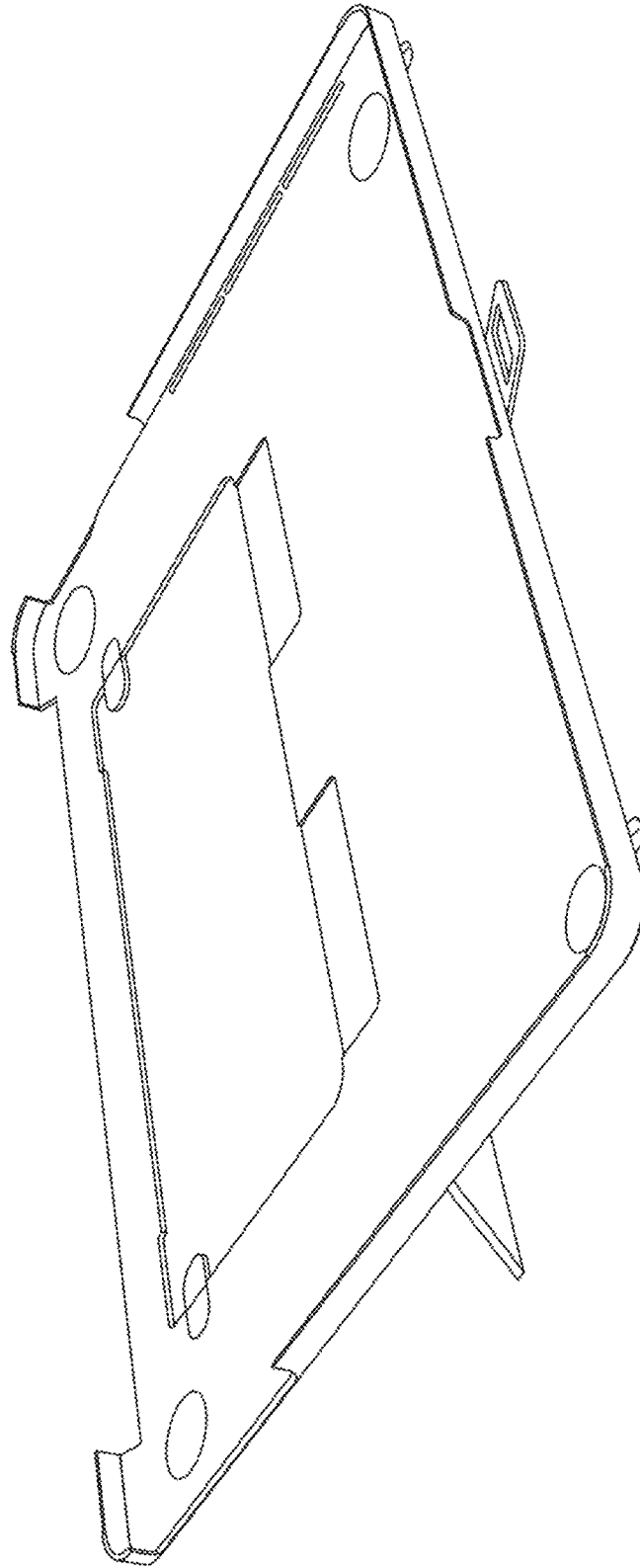


FIG. 1

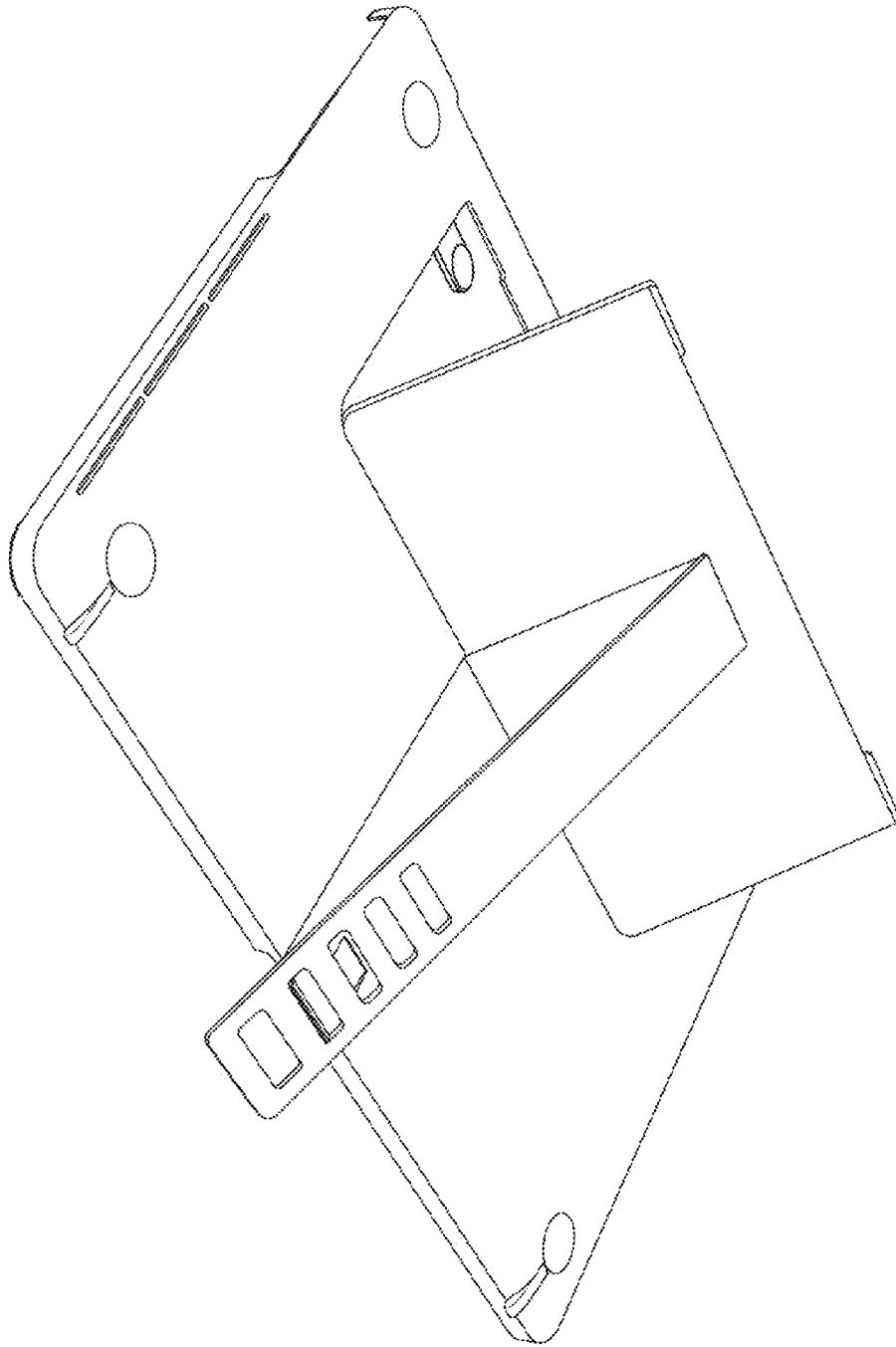


FIG. 2

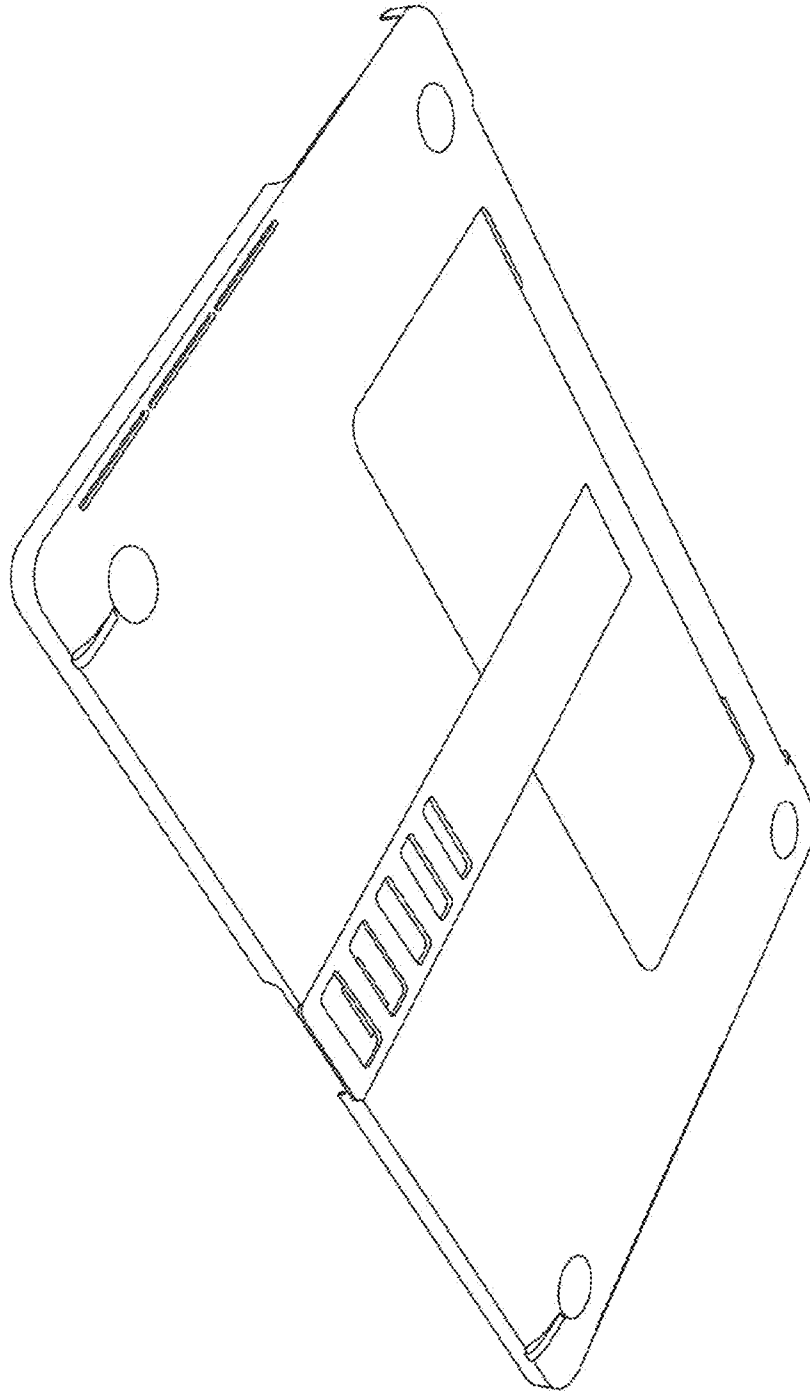


FIG. 3

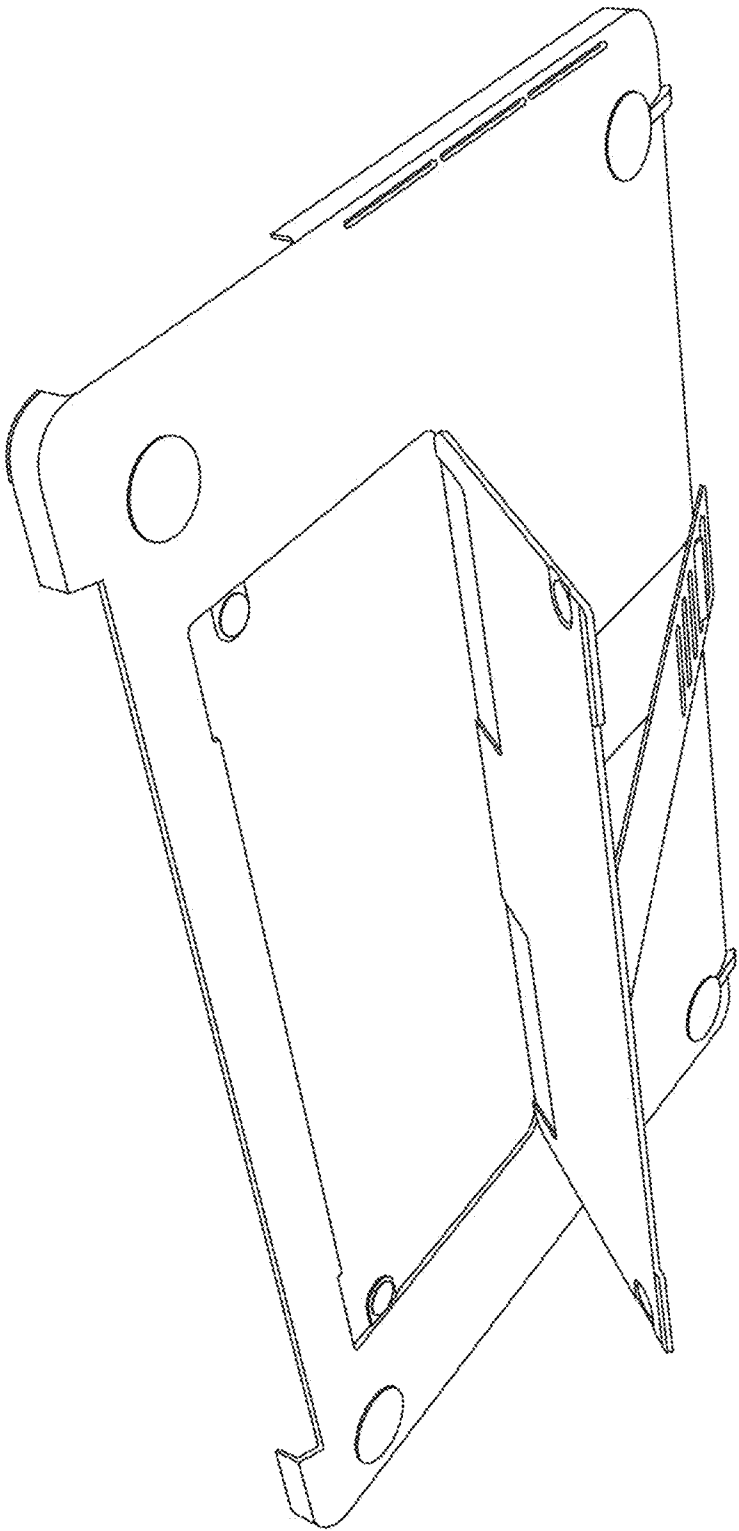


FIG. 4

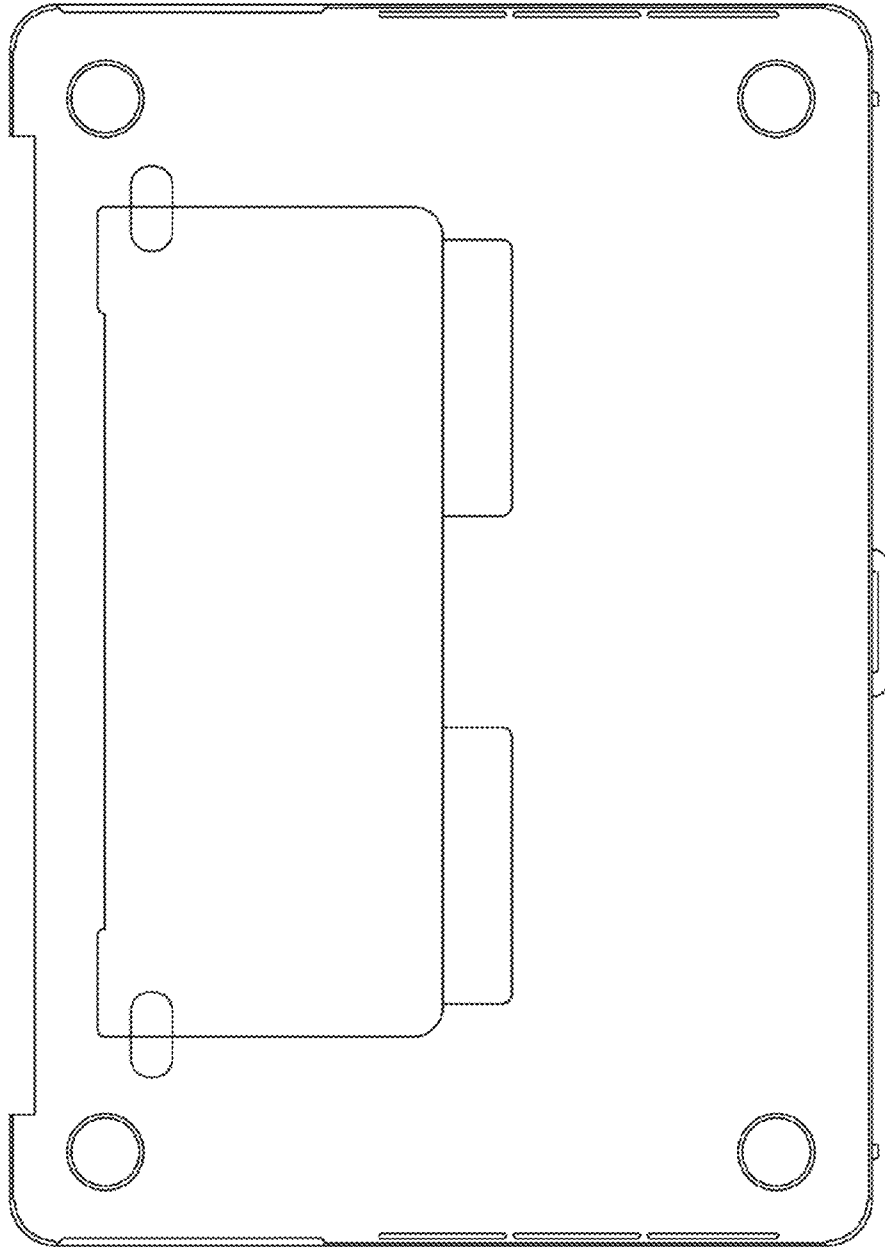


FIG. 5

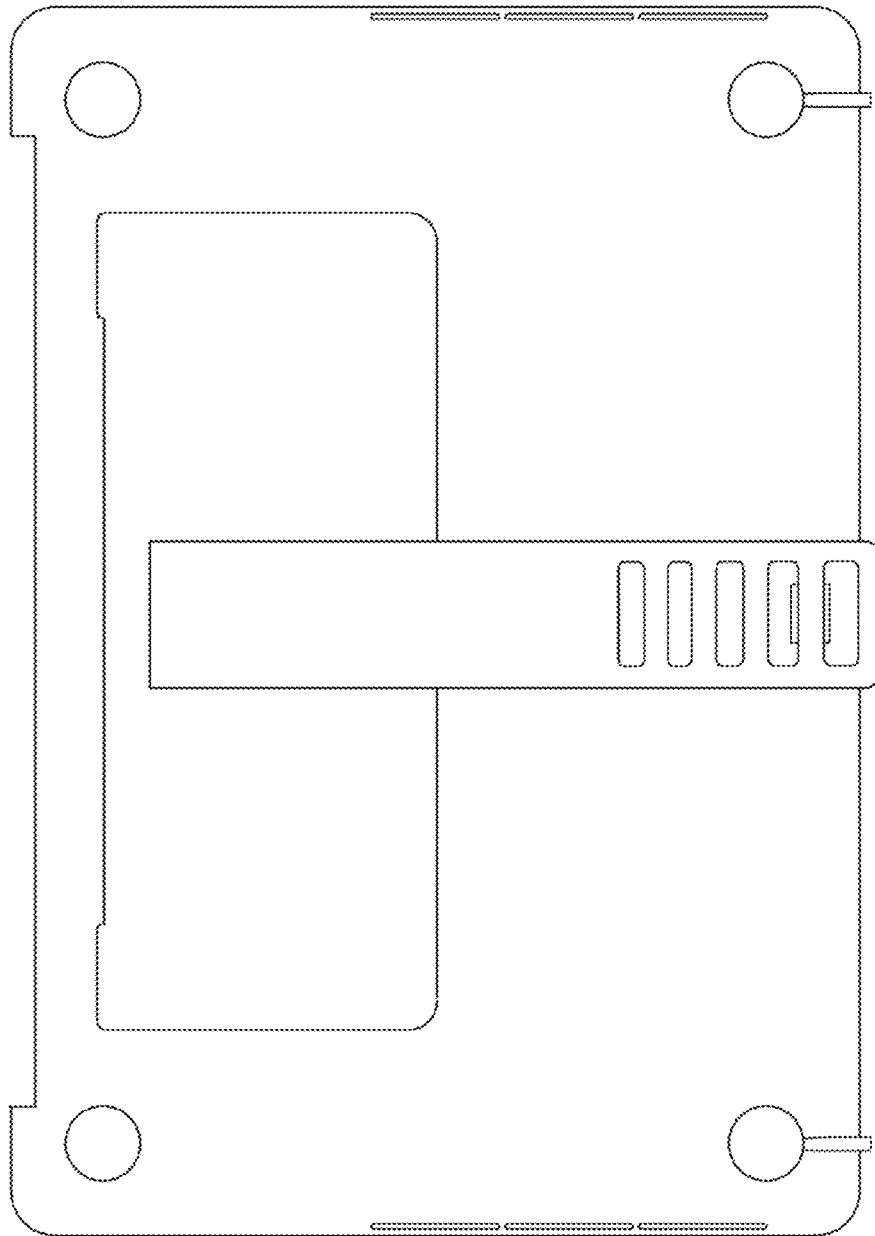


FIG. 6





FIG. 7



FIG. 8

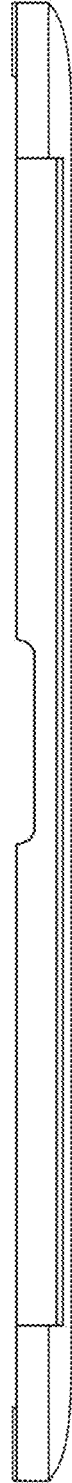


FIG. 9