



US00D647018S

(12) **United States Design Patent**
Furst

(10) **Patent No.:** **US D647,018 S**

(45) **Date of Patent:** **** Oct. 18, 2011**

(54) **VEHICLE SIDE SILL**
(75) Inventor: **Michael W. Furst**, Venice, CA (US)
(73) Assignee: **Honda Motor Co., Ltd.**, Tokyo (JP)
(**) Term: **14 Years**

D539,200 S * 3/2007 Chan D12/190
D584,668 S * 1/2009 Raghavendran et al. D12/184
D606,472 S * 12/2009 Penders D12/190
D623,104 S * 9/2010 Akasawa et al. D12/190
2008/0136216 A1 * 6/2008 Teng 296/193.05
2009/0273197 A1 * 11/2009 Muskos 293/132
2011/0121585 A1 * 5/2011 Loveborn 293/102
* cited by examiner

(21) Appl. No.: **29/378,129**
(22) Filed: **Oct. 29, 2010**
(51) **LOC (9) Cl.** **12-08**
(52) **U.S. Cl.** **D12/190**
(58) **Field of Classification Search** D12/190,
D12/400, 90, 91, 92, 199, 197, 86, 171, 169,
D12/163, 110, 114; D11/211, 81, 157, 133,
D11/172; D20/11, 23, 24, 25, 30, 31, 32;
293/102, 115; 40/413, 591, 592; 428/31
See application file for complete search history.

Primary Examiner — Richard E Chilcot
Assistant Examiner — Katrina Kile
(74) *Attorney, Agent, or Firm* — Plumsea Law Group, LLC;
Mark E. Duell

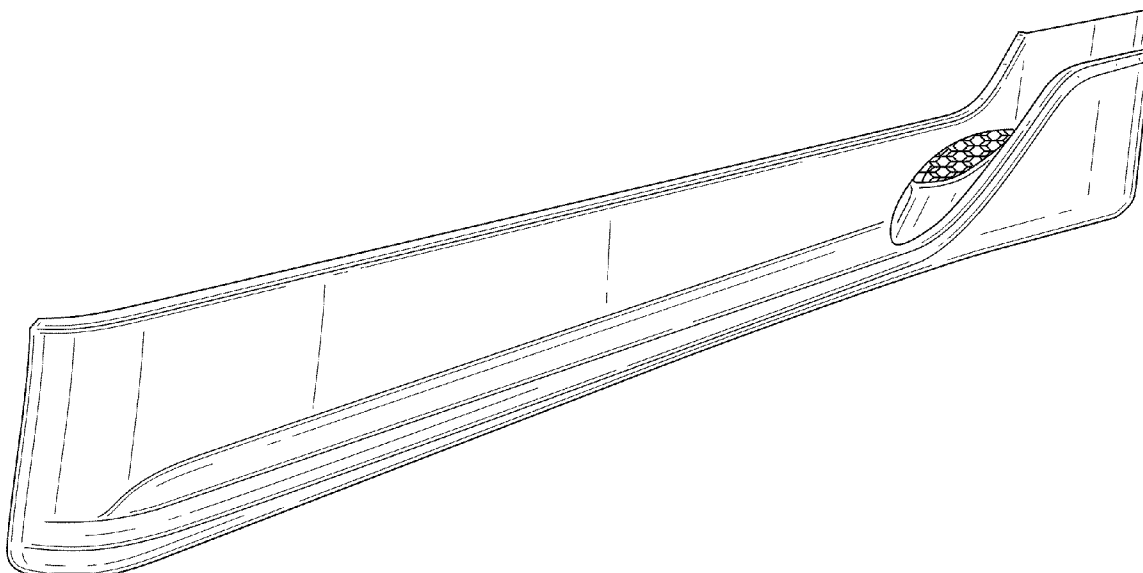
(57) **CLAIM**
The ornamental design for a vehicle side sill, as shown and described.

DESCRIPTION

The contents of concurrently filed application Ser. No. 29/378,104 are also hereby incorporated by reference. FIG. 1 is a perspective view of a vehicle side sill showing my new design; FIG. 2 is a side elevational view thereof; FIG. 3 is a top plan view thereof; and, FIG. 4 is an end elevational view.

(56) **References Cited**
U.S. PATENT DOCUMENTS
D263,463 S * 3/1982 Durben D12/190
D444,753 S * 7/2001 Smith et al. D12/196
D455,990 S * 4/2002 Mobius D12/196
D478,854 S * 8/2003 Platto et al. D12/196
D493,758 S * 8/2004 Platto et al. D12/196
D497,130 S * 10/2004 Perfetti et al. D12/196

1 Claim, 3 Drawing Sheets



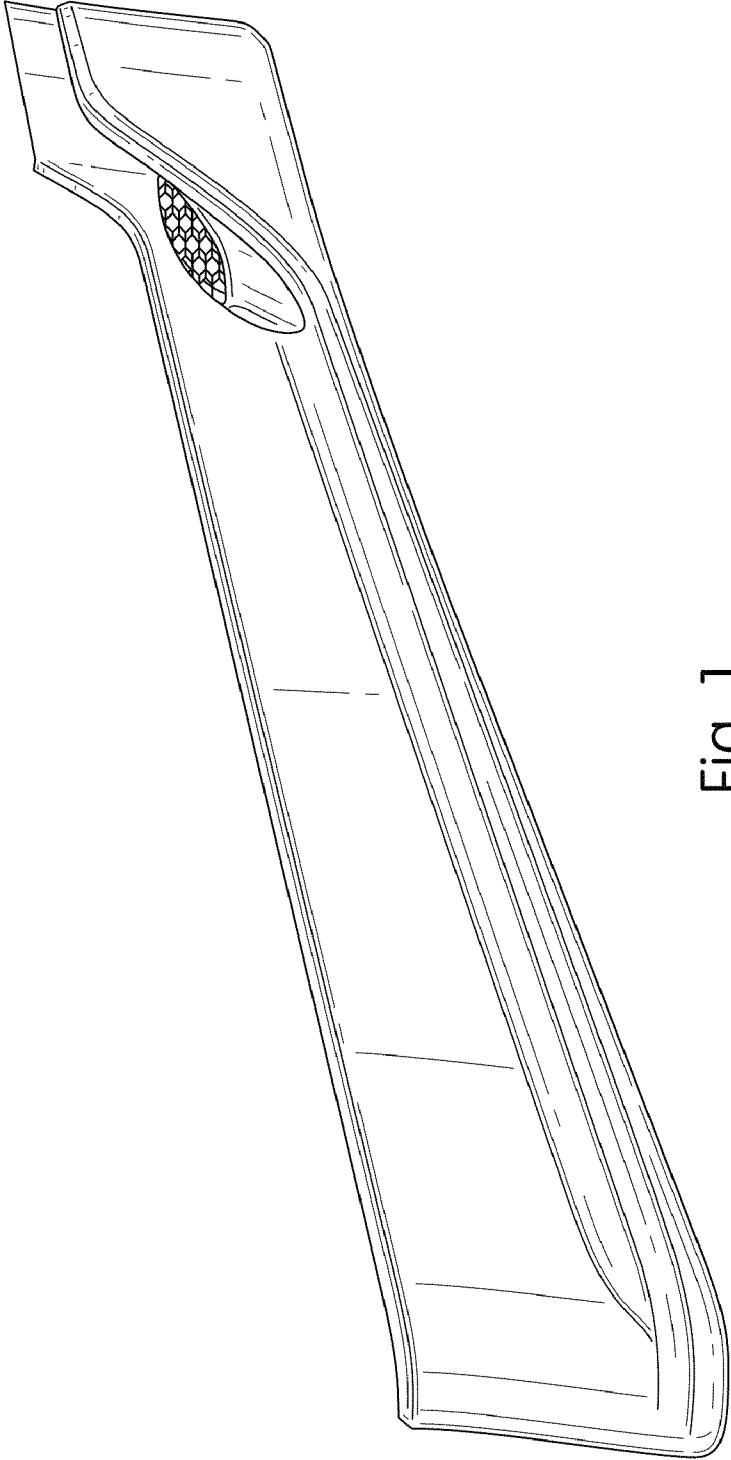


Fig. 1

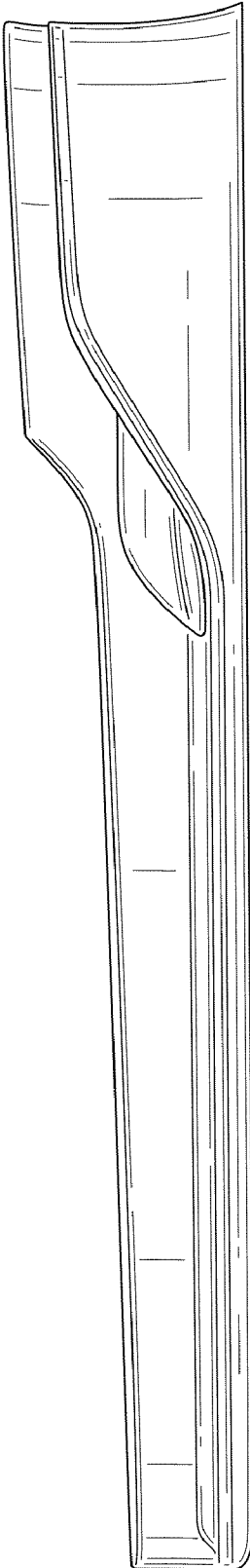


Fig. 2

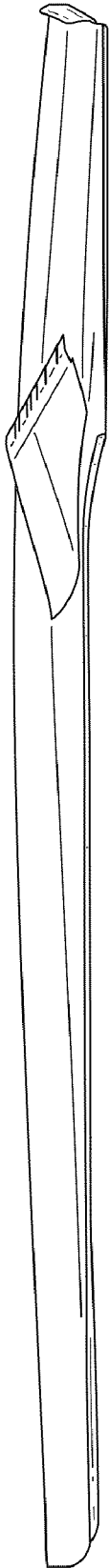


Fig. 3

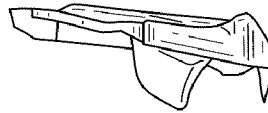


Fig. 4