



US00D864344S

(12) **United States Design Patent**
Waters

(10) **Patent No.:** **US D864,344 S**

(45) **Date of Patent:** **** Oct. 22, 2019**

(54) **FIREARM SECURING DEVICE**

(71) Applicant: **E. Clark Waters**, Orlando, FL (US)

(72) Inventor: **E. Clark Waters**, Orlando, FL (US)

(**) Term: **15 Years**

(21) Appl. No.: **29/662,648**

(22) Filed: **Sep. 7, 2018**

(51) **LOC (12) Cl.** **22-16**

(52) **U.S. Cl.**

USPC **D22/108**; D12/415

(58) **Field of Classification Search**

USPC D22/100, 108, 199; D3/222; D12/415,
D12/420

CPC F41C 33/0272; F41C 33/0236; F41C
33/0245

See application file for complete search history.

(56) **References Cited**

U.S. PATENT DOCUMENTS

5,467,909	A *	11/1995	Resca	F41C 33/0245 224/193
6,050,464	A *	4/2000	Ramsey, Sr.	F41A 9/61 206/3
D734,706	S *	7/2015	Gleaton	B60R 7/06 D12/415
9,121,662	B1 *	9/2015	Love	F41C 27/00
9,523,545	B1 *	12/2016	Weller	F41C 33/0281
D850,558	S *	6/2019	Fournet	D22/108
2013/0299543	A1 *	11/2013	Rorick	F41C 33/0263 224/674

* cited by examiner

Primary Examiner — Michael A. Pratt

(74) *Attorney, Agent, or Firm* — Mark Malek; Wideman Malek, PL

(57) **CLAIM**

The ornamental design for a firearm securing device, as shown and described.

DESCRIPTION

FIG. 1 is an exploded rear perspective view of a firearm securing device according to the present invention and showing a back plate separated from the firearm securing device.

FIG. 2 is a front perspective view of the firearm securing device illustrated in FIG. 1.

FIG. 3 is a rear perspective view of the firearm securing device illustrated in FIG. 1.

FIG. 4 is a front elevation view of the firearm securing device illustrated in FIG. 1.

FIG. 5 is a rear elevation view of the firearm securing device illustrated in FIG. 1.

FIG. 6 is a side elevation view of the firearm securing device illustrated in FIG. 1.

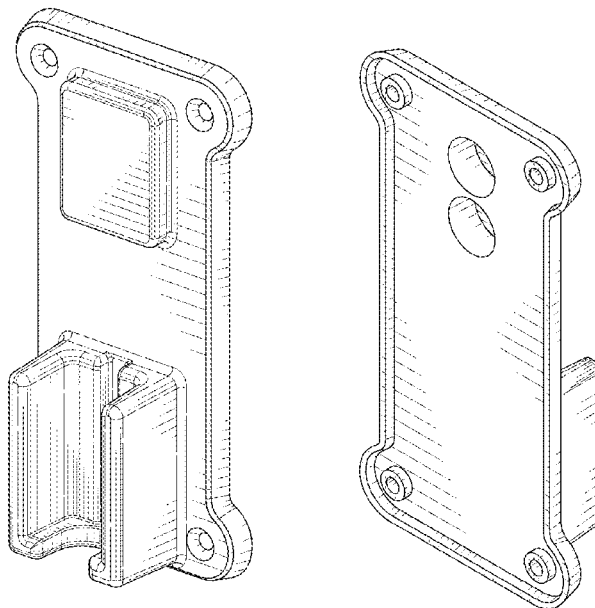
FIG. 7 is another side elevation view of the firearm securing device illustrated in FIG. 1.

FIG. 8 is a top plan view of the firearm securing device illustrated in FIG. 1; and,

FIG. 9 is a bottom plan view of the firearm securing device illustrated in FIG. 1.

The broken lines in FIG. 1 illustrate a back plate that is adapted to engage a rear portion of the firearm securing device, and does not form a part of the claimed invention.

1 Claim, 7 Drawing Sheets



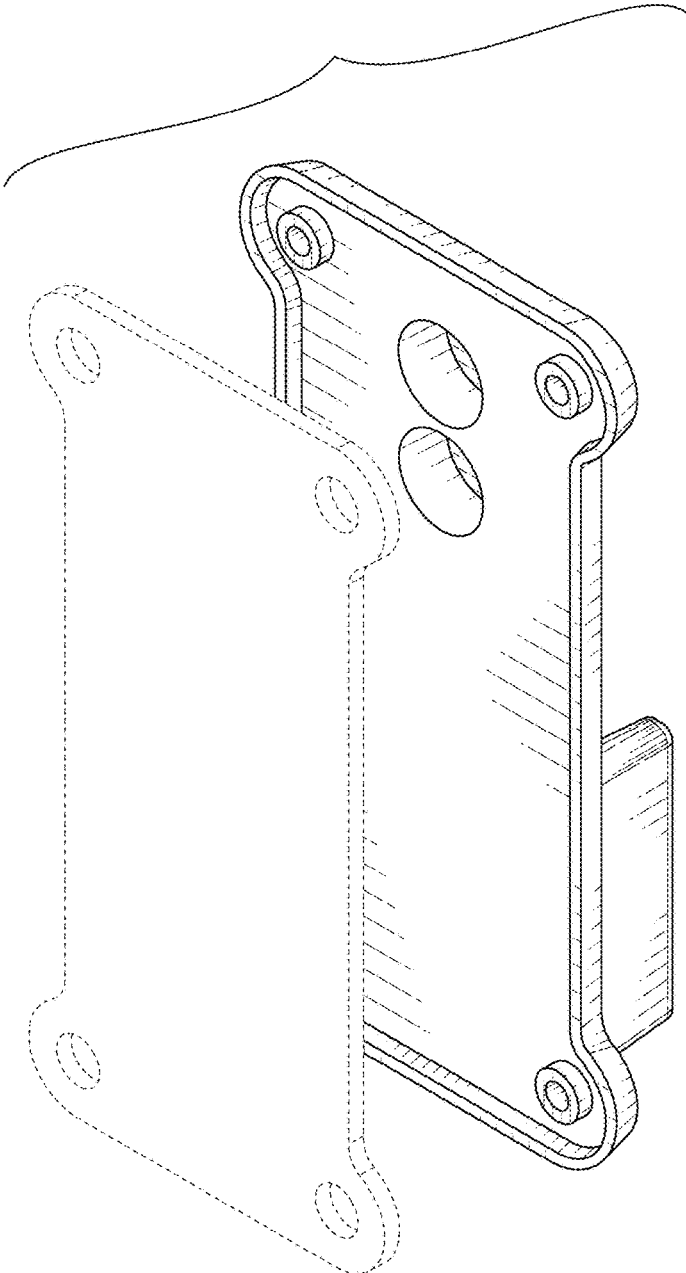


FIG. 1

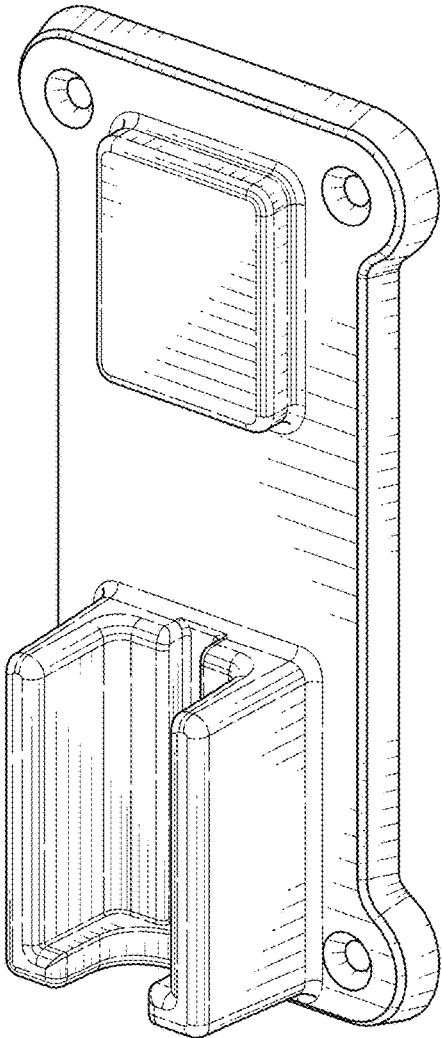


FIG. 2

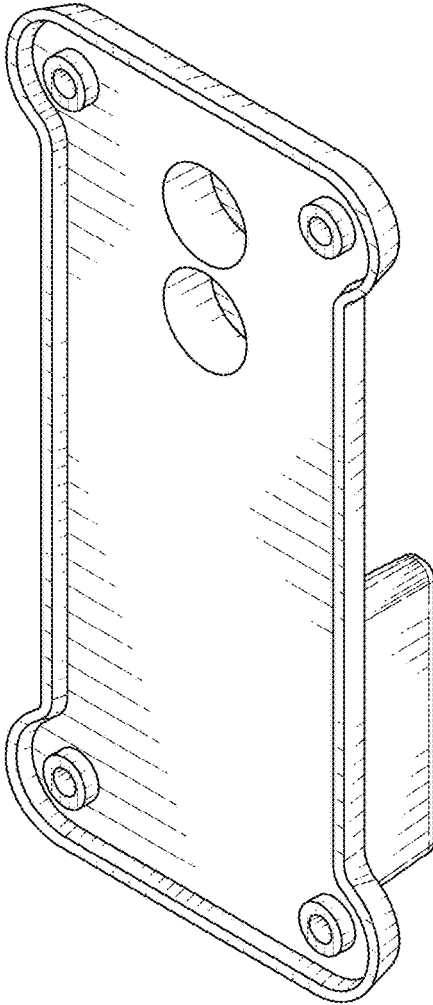


FIG. 3

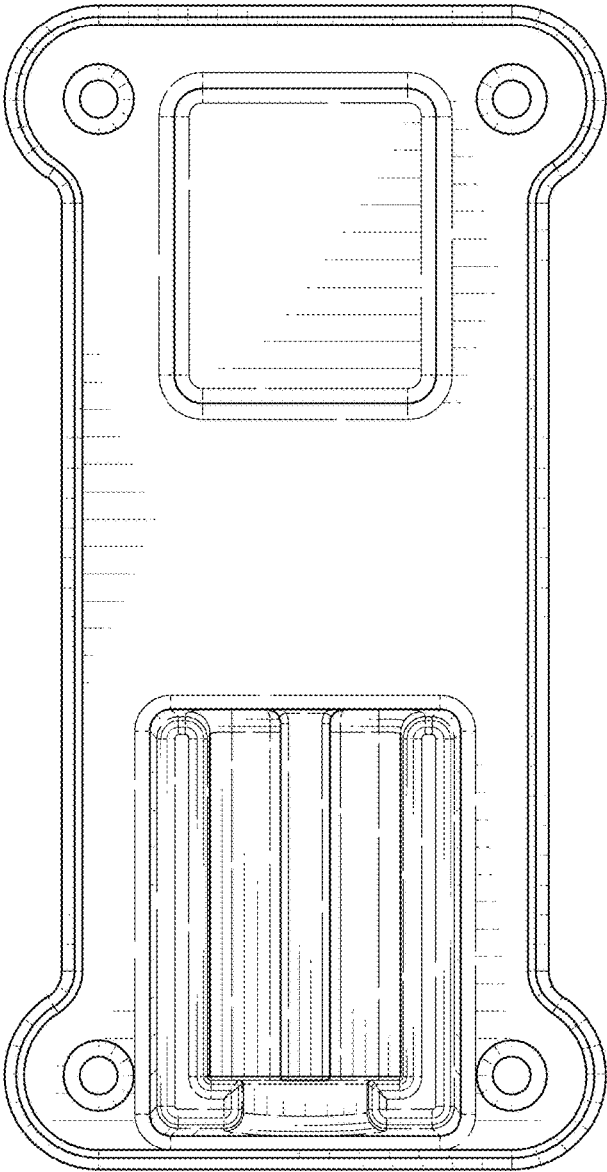


FIG. 4

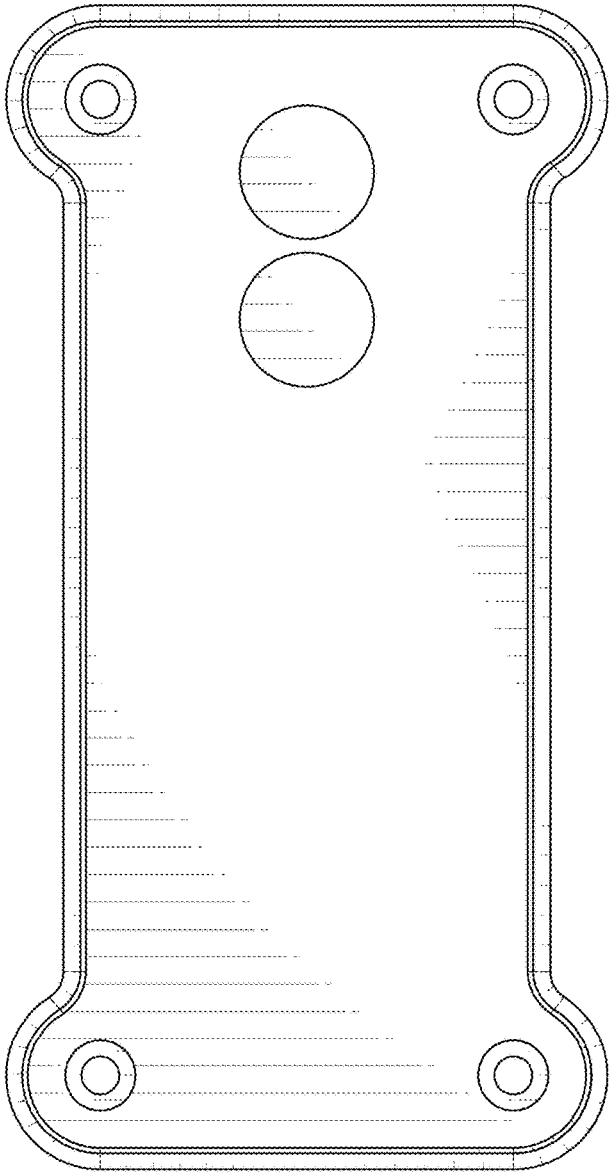


FIG. 5

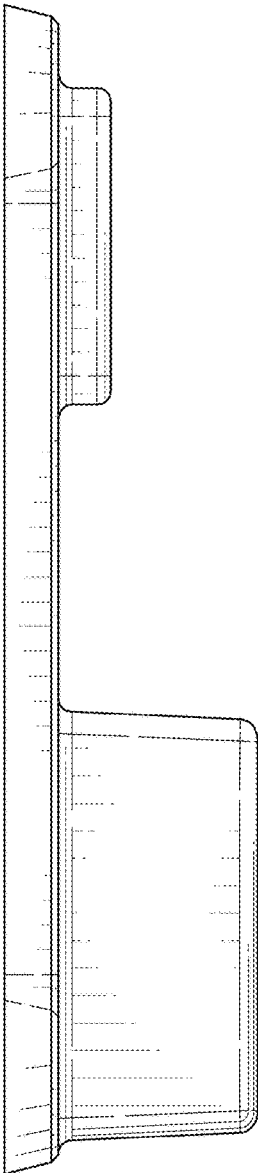


FIG. 6

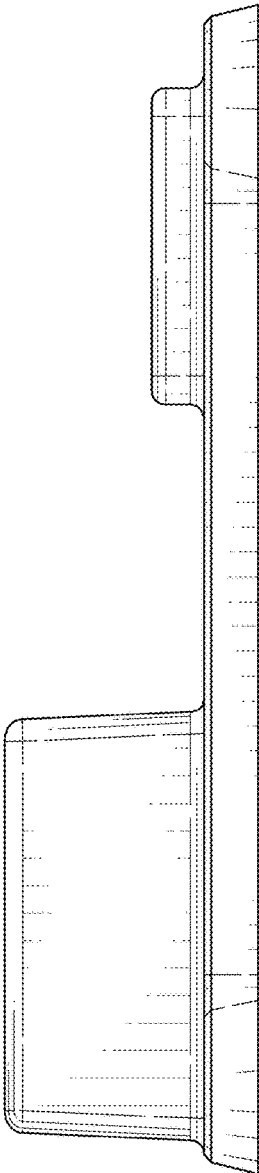


FIG. 7

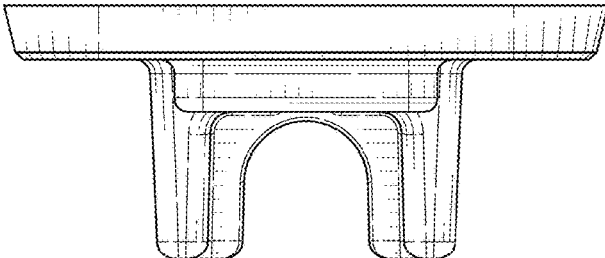


FIG. 8

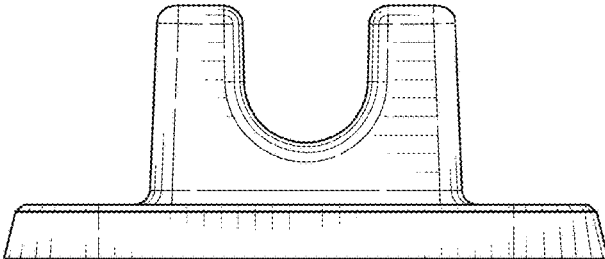


FIG. 9