



US00D558510S

(12) **United States Design Patent**
Bodum

(10) **Patent No.:** **US D558,510 S**

(45) **Date of Patent:** **** Jan. 1, 2008**

(54) **TEAPOT**

(75) Inventor: **Jørgen Bodum**, St. Niklausen (CH)

(73) Assignee: **Pi-Design, AG**, Triengen (CH)

(**) Term: **14 Years**

(21) Appl. No.: **29/252,192**

(22) Filed: **Jan. 19, 2006**

(30) **Foreign Application Priority Data**

Jul. 20, 2005 (DK) DA 2005 00211

(51) **LOC (8) Cl.** **07-01**

(52) **U.S. Cl.** **D7/321; D7/312**

(58) **Field of Classification Search** D7/319,
D7/318, 317, 321, 312, 598, 600; 210/238;
99/322, 323, 317, 319, 295; 222/129.1-129.4,
222/571, 481

See application file for complete search history.

(56) **References Cited**

U.S. PATENT DOCUMENTS

D1,419 S *	5/1861	Young	D7/321
1,336,491 A *	4/1920	Stern	222/189.07
D68,560 S *	10/1925	Anduze	D7/321
1,558,776 A *	10/1925	Barratt	222/481
1,571,116 A *	1/1926	Green et al.	222/108
1,590,968 A *	6/1926	Forman	99/319
1,600,031 A *	9/1926	Barratt	220/318
1,619,065 A *	3/1927	Forman	99/319
1,758,407 A *	5/1930	Parkinson	99/317
1,886,415 A *	11/1932	Mitchell	99/295

2,214,623 A *	9/1940	Millen	222/481
2,506,211 A *	5/1950	Grodde	222/108
D185,054 S *	4/1959	Winans	D7/321
D261,097 S *	10/1981	Wallace et al.	D8/61
D272,884 S *	3/1984	Seibel	D7/321
D334,686 S *	4/1993	Wiley	D7/321
5,453,189 A *	9/1995	Joergensen	210/238
D373,500 S *	9/1996	Lee	D7/320
D380,336 S *	7/1997	Zive	D7/321
6,431,417 B1 *	8/2002	Kumar	222/571
D486,989 S *	2/2004	Bodum	D7/321
D495,193 S *	8/2004	Moore et al.	D7/321

* cited by examiner

Primary Examiner—Marianne Pandozzi

(74) *Attorney, Agent, or Firm*—Cowan, Liebowitz & Latman, PC

(57) **CLAIM**

The ornamental design for a teapot, as shown and described.

DESCRIPTION

FIG. 1 is a perspective view of the teapot showing a first embodiment of my design thereof;

FIG. 2 is a front view thereof;

FIG. 3 is a rear view thereof;

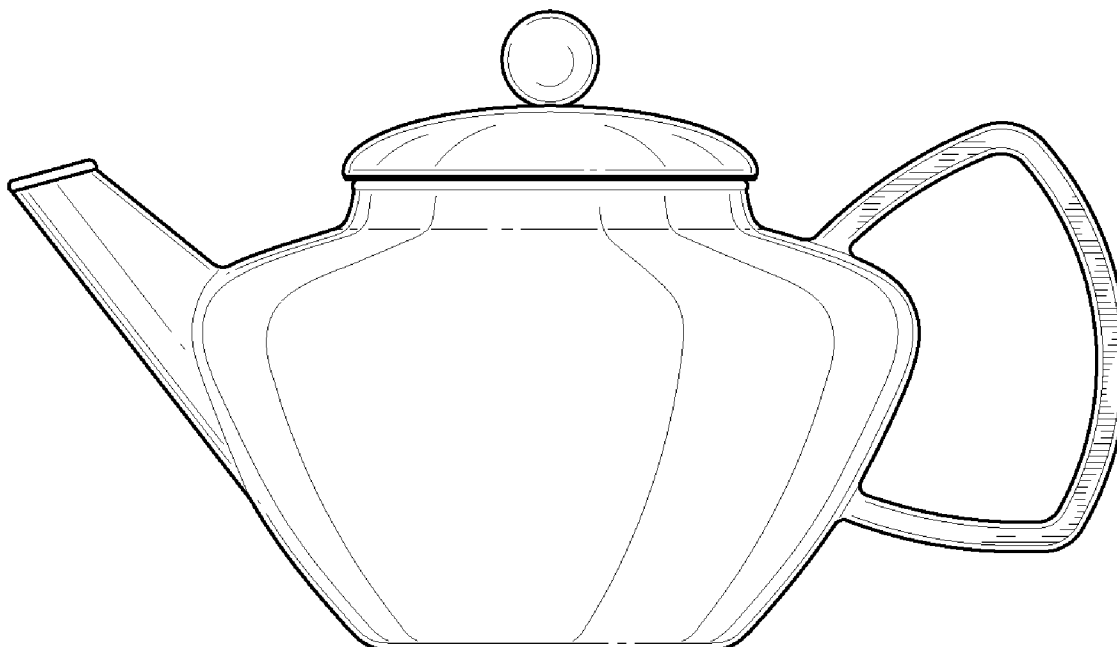
FIG. 4 is a left side view thereof;

FIG. 5 is a right side view thereof;

FIG. 6 is a top view thereof; and,

FIG. 7 is a bottom view thereof.

1 Claim, 7 Drawing Sheets



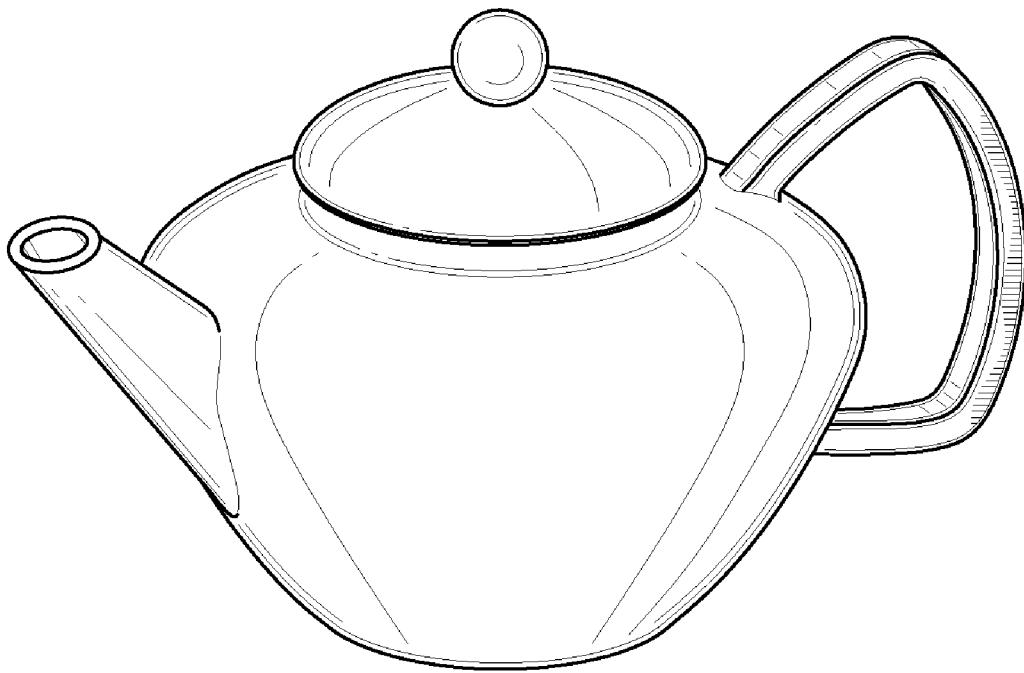


FIG. 1

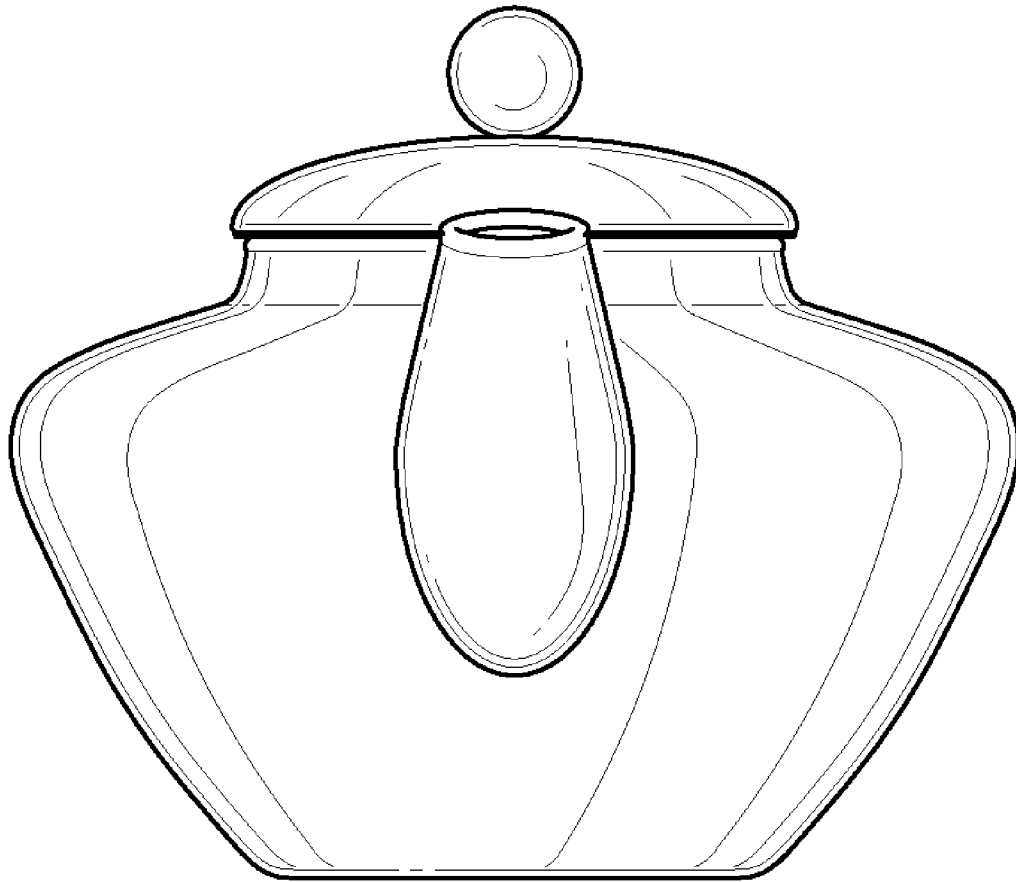


FIG. 2

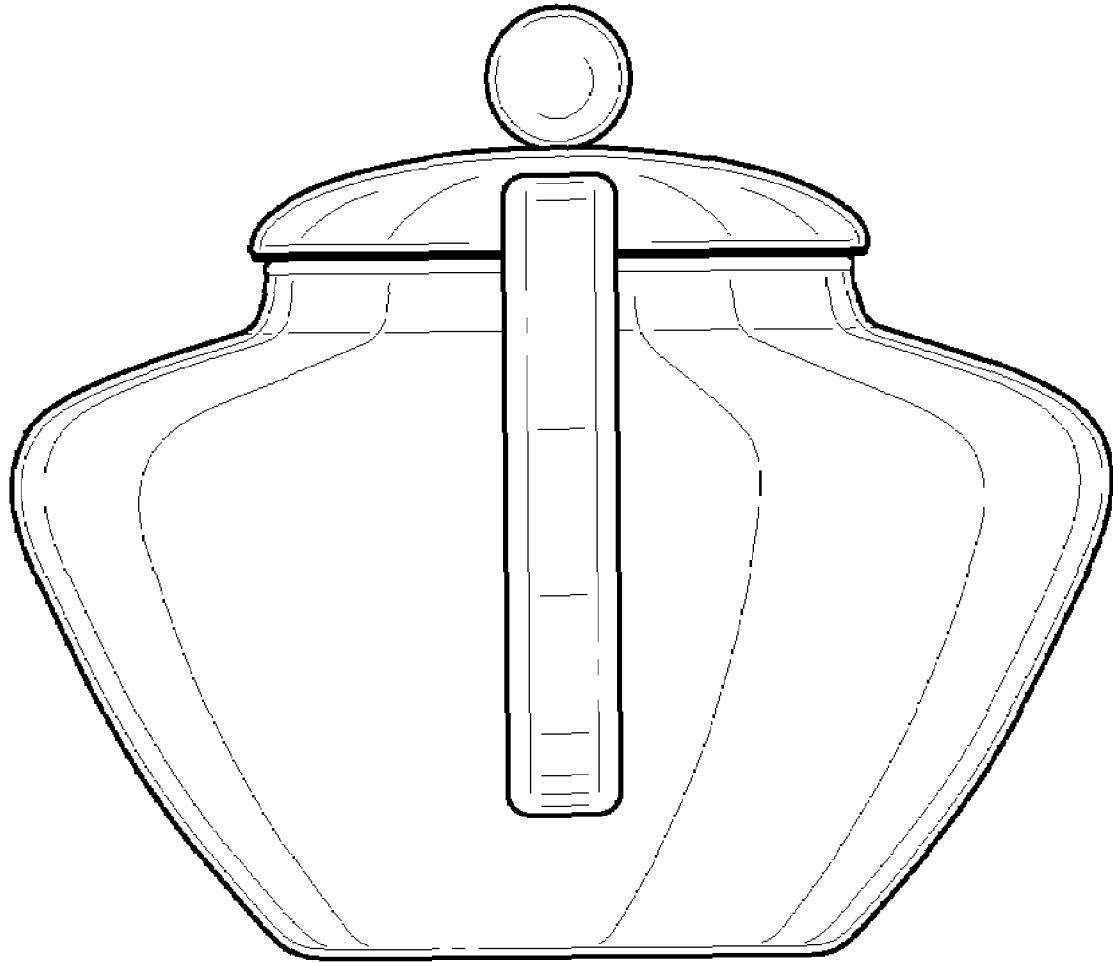


FIG. 3

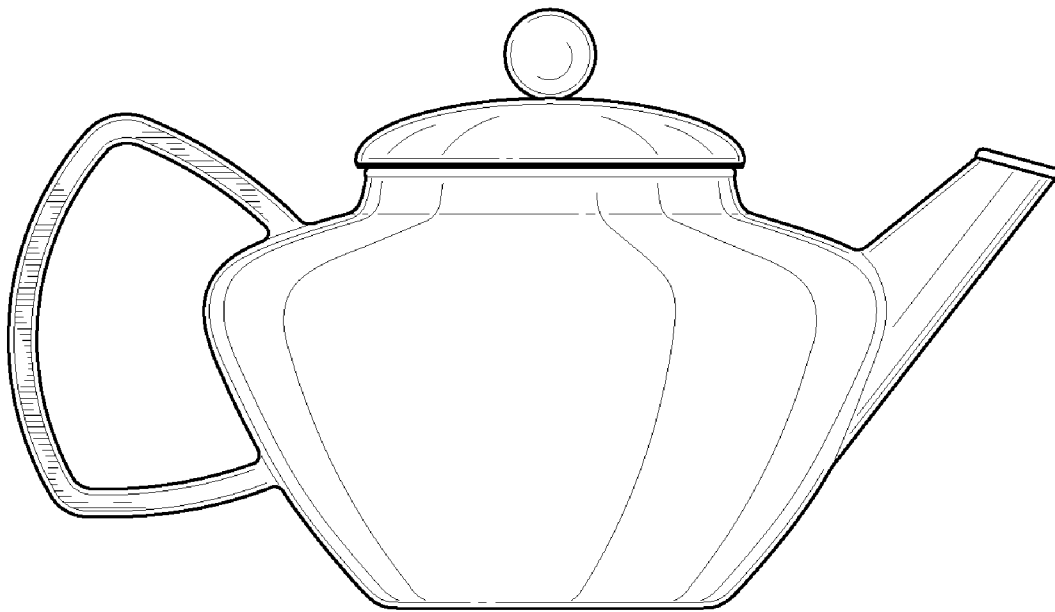


FIG. 4

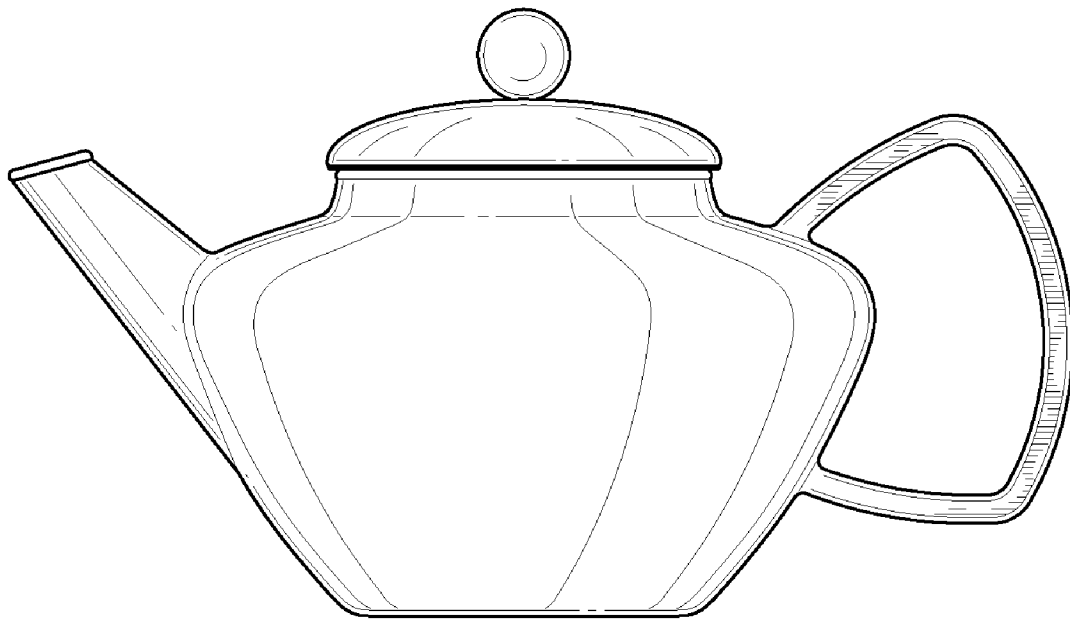


FIG. 5

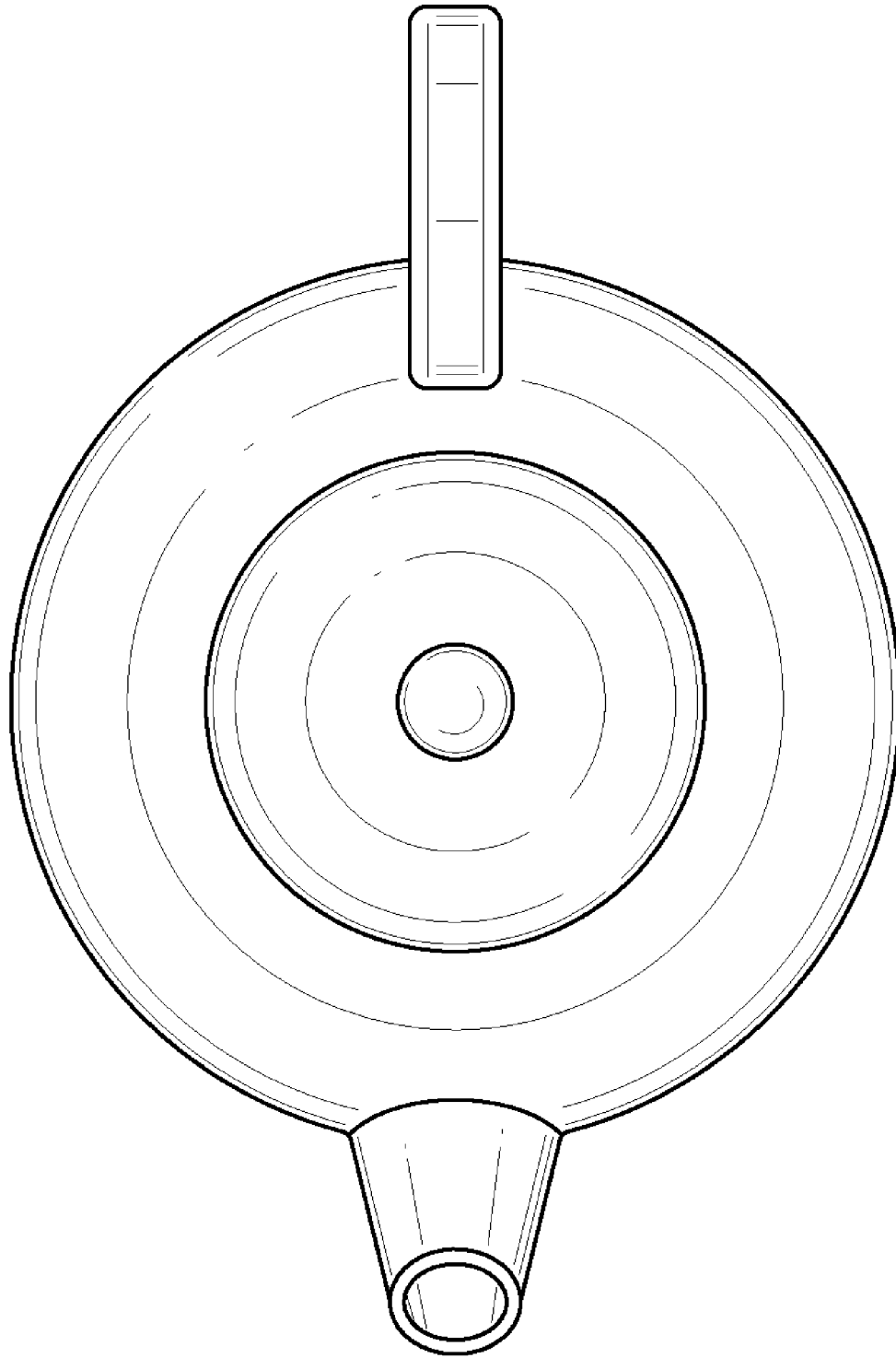


FIG. 6

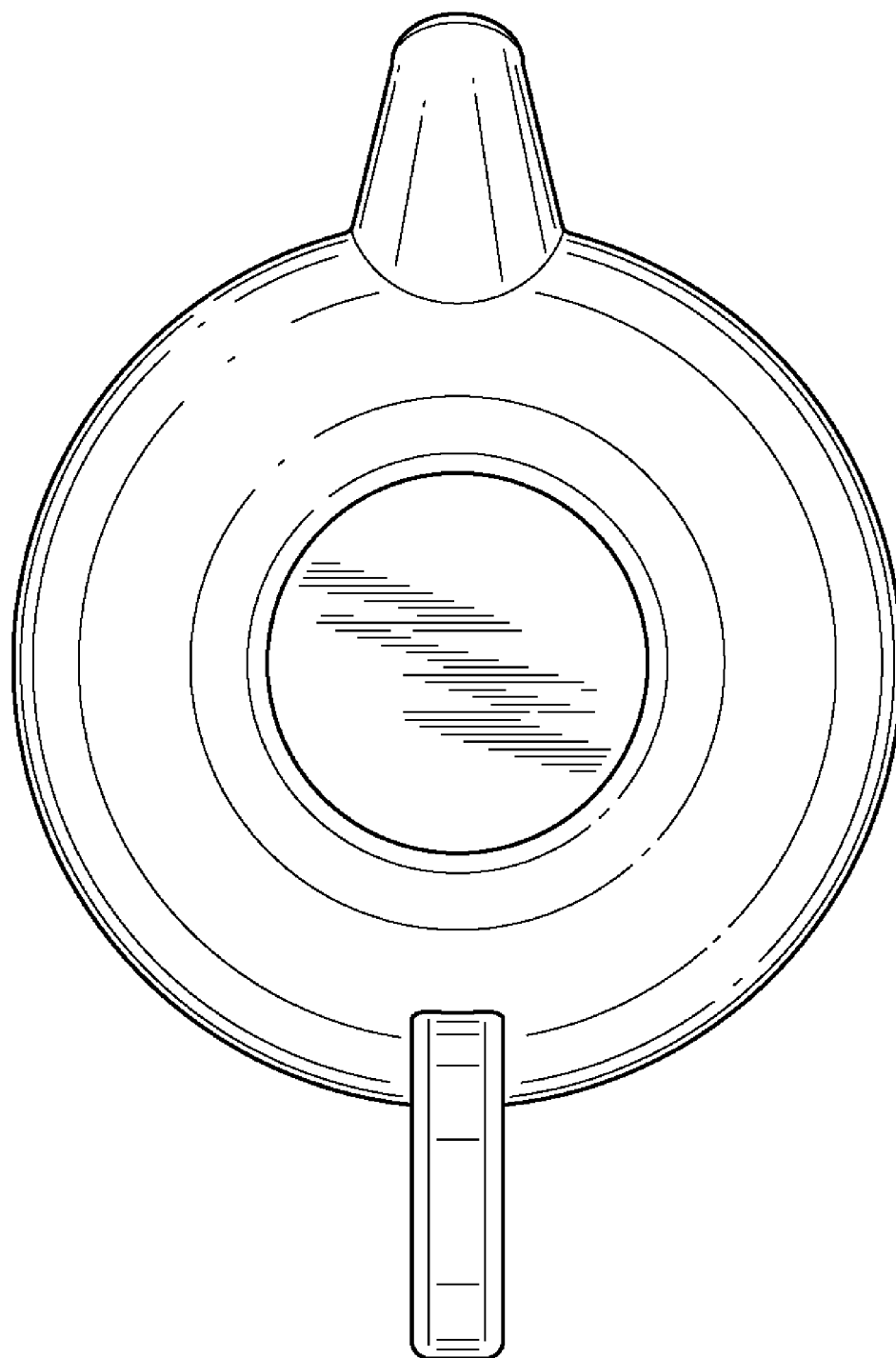


FIG. 7