



US00D758991S

(12) **United States Design Patent**
Petersén

(10) **Patent No.:** **US D758,991 S**

(45) **Date of Patent:** **** Jun. 14, 2016**

(54) **HEADPHONE**

(71) Applicant: **Zound Industries International AB,**
Stockholm (SE)

(72) Inventor: **Erik Petersén, Johanneshov (SE)**

(73) Assignee: **Zound Industries International AB,**
Stockholm (SE)

(**) Term: **14 Years**

(21) Appl. No.: **29/508,363**

(22) Filed: **Nov. 5, 2014**

(30) **Foreign Application Priority Data**

Jun. 2, 2014 (EM) 002475053-0001
Jun. 2, 2014 (EM) 002475053-0002

(51) **LOC (10) CI.** **14-01**

(52) **U.S. CI.**
USPC **D14/205**

(58) **Field of Classification Search**

USPC D14/205, 206, 223; D29/112; 2/209;
181/129, 130, 135; 379/430, 431;
381/380, 381, 374, 379; 455/90.3,
455/575.1
CPC H04R 1/1066
See application file for complete search history.

(56) **References Cited**

U.S. PATENT DOCUMENTS

D270,634 S * 9/1983 Ungar D14/205
D291,690 S * 9/1987 Tabachnik D14/205

D299,337 S * 1/1989 Wiegel D14/206
D299,454 S * 1/1989 Kwong D14/205
D300,627 S * 4/1989 Kwong D14/205
D302,140 S * 7/1989 Johnston D11/216
D305,541 S * 1/1990 Hirose D14/205
D517,527 S * 3/2006 Suzuki D14/205
D518,474 S * 4/2006 Suzuki D14/205
D519,497 S * 4/2006 Komiyama D14/223
D632,668 S * 2/2011 Brunner et al. D14/205
D663,286 S * 7/2012 Morisawa D14/205
D668,633 S * 10/2012 Enquist D14/205
D683,327 S * 5/2013 Dougherty D14/205
D683,329 S * 5/2013 Hagelin D14/205
D700,590 S * 3/2014 Heath D14/205
D733,090 S * 6/2015 Petersen D14/205

* cited by examiner

Primary Examiner — Paula Greene

(74) *Attorney, Agent, or Firm* — Capitol City TechLaw

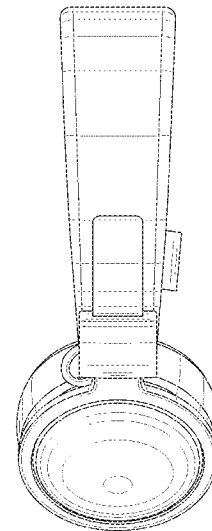
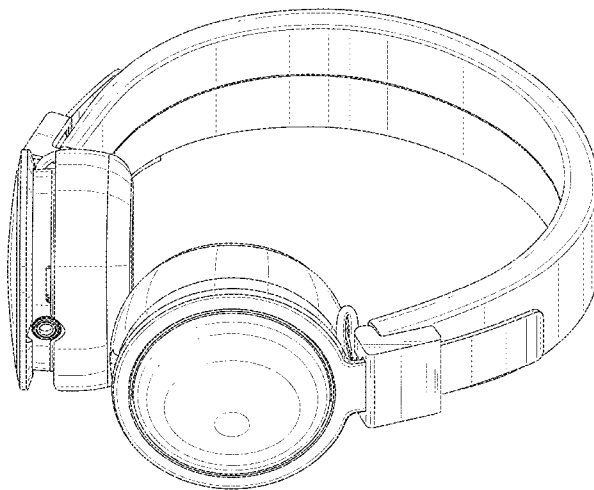
(57) **CLAIM**

The ornamental design for a headphone, as shown and described.

DESCRIPTION

FIG. 1 is a front, bottom, and right side perspective view of a headphone showing my new design;
FIG. 2 is a left side view thereof;
FIG. 3 is a right side view thereof;
FIG. 4 is a rear view thereof;
FIG. 5 is another front, bottom, and right side perspective view thereof;
FIG. 6 is a top view thereof; and,
FIG. 7 is a bottom view thereof.

1 Claim, 7 Drawing Sheets



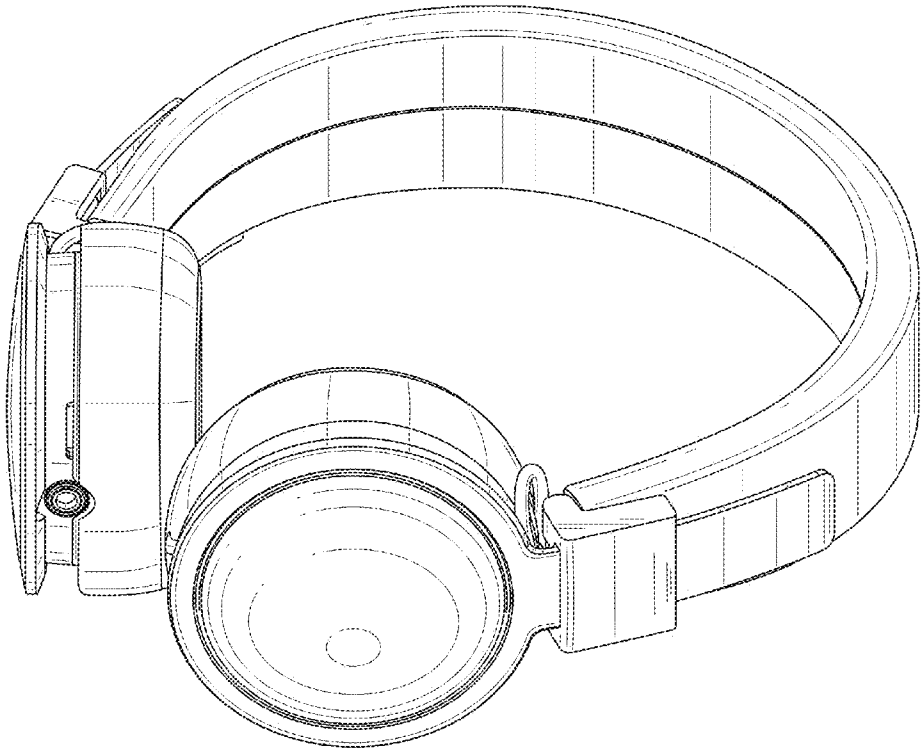


FIG. 1

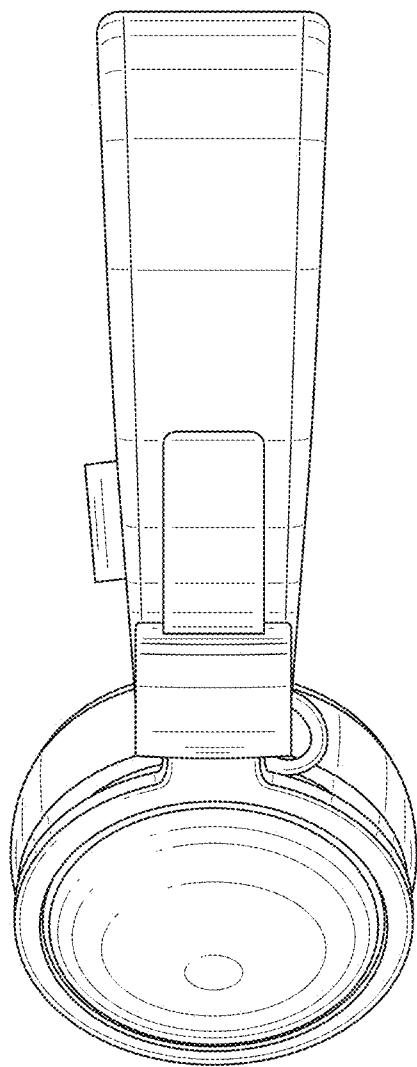


FIG. 2

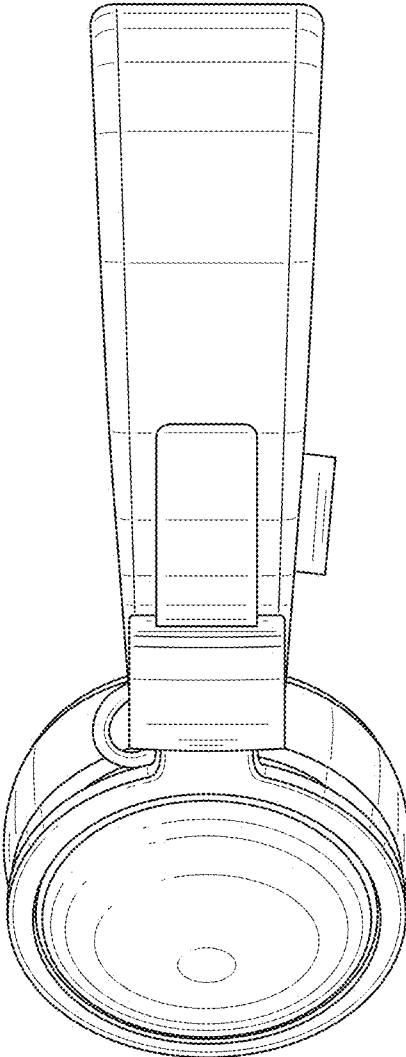


FIG. 3



FIG. 4

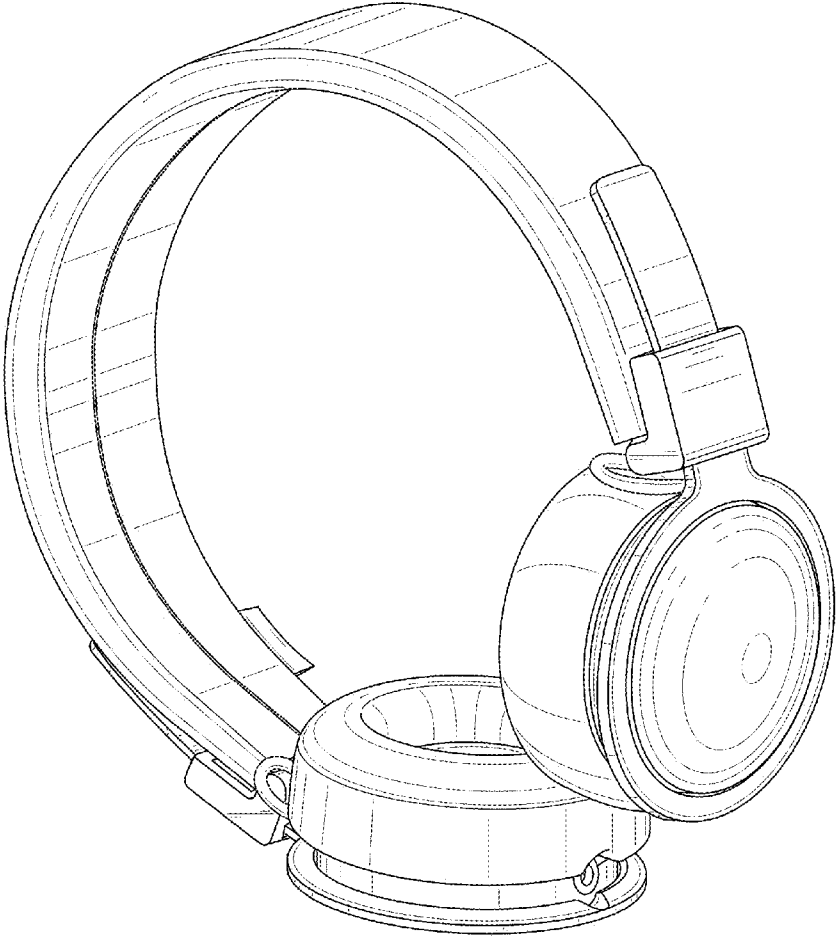


FIG. 5

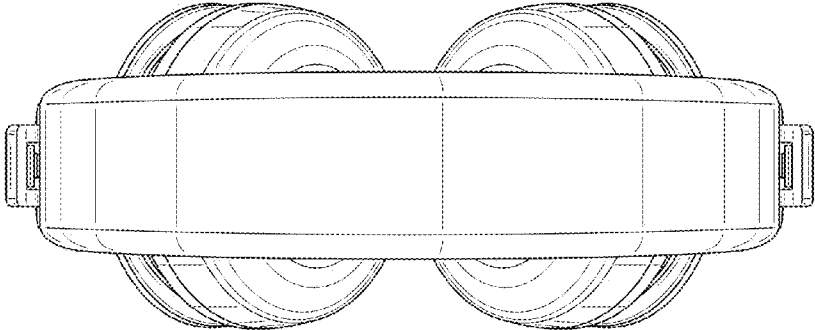


FIG. 6

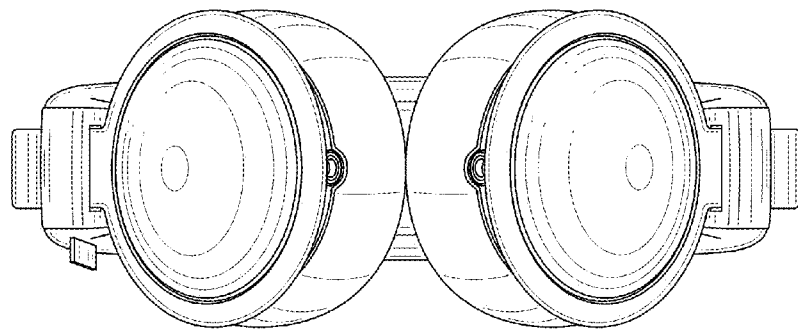


FIG. 7