



US00D645912S

(12) **United States Design Patent**
Hardstaff

(10) **Patent No.:** **US D645,912 S**

(45) **Date of Patent:** **** Sep. 27, 2011**

(54) **TOY ELEMENT**

(76) Inventor: **Richard Keith Hardstaff**, Cheltenham
(GB)

(**) Term: **14 Years**

(21) Appl. No.: **29/356,644**

(22) Filed: **Mar. 1, 2010**

(30) **Foreign Application Priority Data**

Sep. 2, 2009 (EP) 001606823-0002

(51) **LOC (9) Cl.** **21-01**

(52) **U.S. Cl.** **D21/502**

(58) **Field of Classification Search** D21/484,
D21/485, 486, 489, 490, 491, 494, 500, 501,
D21/502, 503, 504, 621, 826; D25/113,
D25/114, 115, 116, 118; 446/69, 85, 93,
446/95, 102-128; 434/208, 259, 403; 273/153,
273/156, 160; D6/300

See application file for complete search history.

(56) **References Cited**

U.S. PATENT DOCUMENTS

1,371,619	A *	3/1921	Greenstreet	446/124
3,310,906	A *	3/1967	Glukes	446/95
D224,029	S *	6/1972	Gale et al.	D21/826
D236,221	S *	8/1975	McAllister	D21/491
D236,223	S *	8/1975	McAllister	D21/491
D237,068	S *	10/1975	Bertz	D25/118
4,055,019	A	10/1977	Harvey		
D274,444	S *	6/1984	Symons	D21/621
D285,463	S *	9/1986	Davis	D21/502
D285,585	S *	9/1986	Murdough et al.	D21/491
D296,344	S *	6/1988	Olsen	D21/491

4,874,341	A *	10/1989	Ziegler	446/109
D308,233	S *	5/1990	Fish, Jr.	D21/490
D308,234	S *	5/1990	Fish, Jr.	D21/490
5,273,477	A *	12/1993	Adams, Jr.	446/108
5,501,626	A	3/1996	Harvey		
D388,841	S *	1/1998	Zheng	D21/491
D398,782	S *	9/1998	Janke	D6/300
5,895,045	A *	4/1999	Vilar	273/160
6,142,848	A	11/2000	Madner		
6,176,757	B1 *	1/2001	Lin	446/115
6,450,853	B1 *	9/2002	Larws	446/93
6,843,700	B2 *	1/2005	Glickman	446/127
D571,867	S *	6/2008	Gasparotto	D21/489
D577,776	S *	9/2008	Tremblay et al.	D21/501
7,438,623	B2 *	10/2008	Lin	446/108
D588,651	S *	3/2009	Sinisi et al.	D21/501
D597,149	S *	7/2009	Sinisi et al.	D21/484
2002/0065016	A1 *	5/2002	Huang	446/103

* cited by examiner

Primary Examiner — Cynthia M Chin

(74) *Attorney, Agent, or Firm* — Simpson & Simpson, PLLC

(57) **CLAIM**

The ornamental design for a toy element, as shown and described.

DESCRIPTION

FIG. 1 is a perspective view of the present invention toy element;

FIG. 2 is a front elevational view of the toy element;

FIG. 3 is a back elevational view of the toy element;

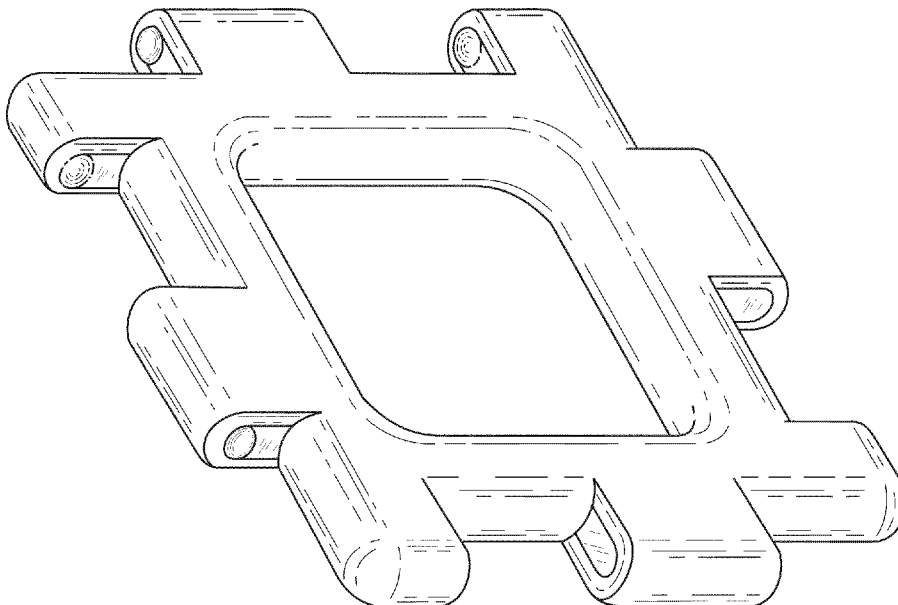
FIG. 4 is a top plan view of the toy element;

FIG. 5 is a bottom plan view of the toy element;

FIG. 6 is a left side elevational view of the toy element; and,

FIG. 7 is a right side elevational view of the toy element.

1 Claim, 5 Drawing Sheets



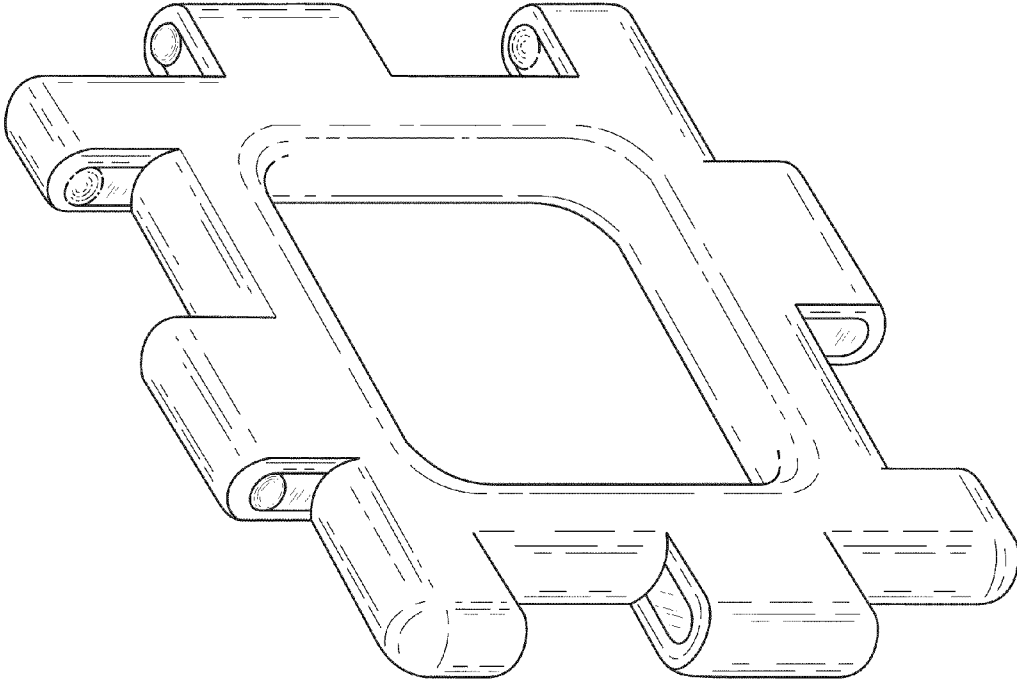


Fig.1

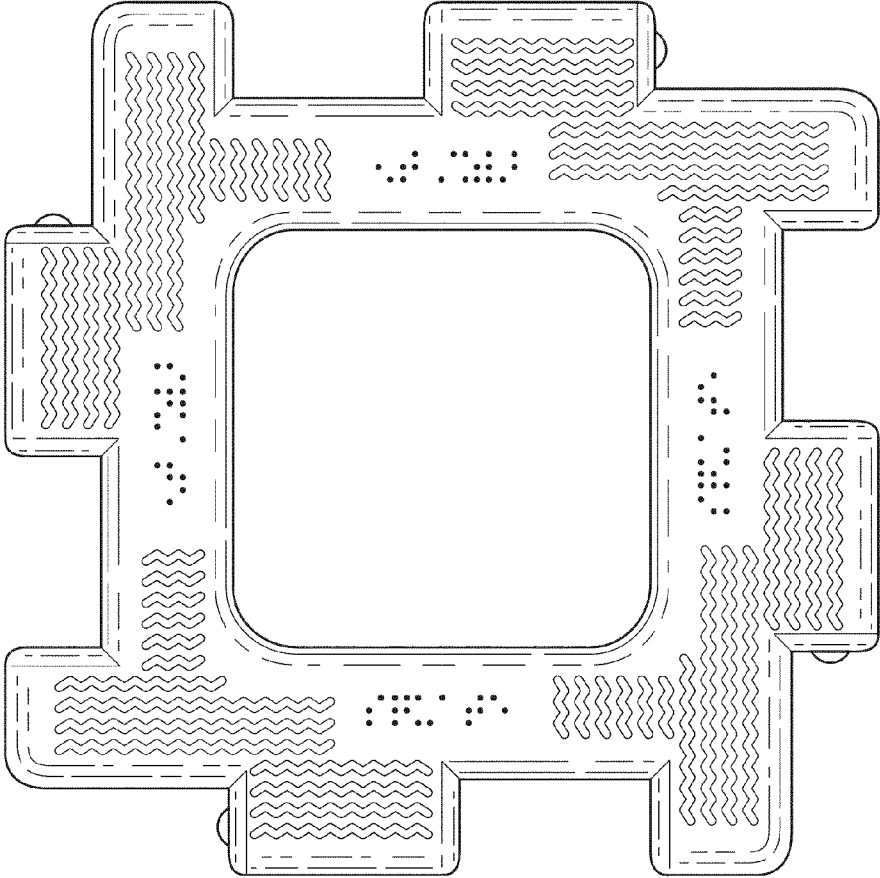


Fig. 2

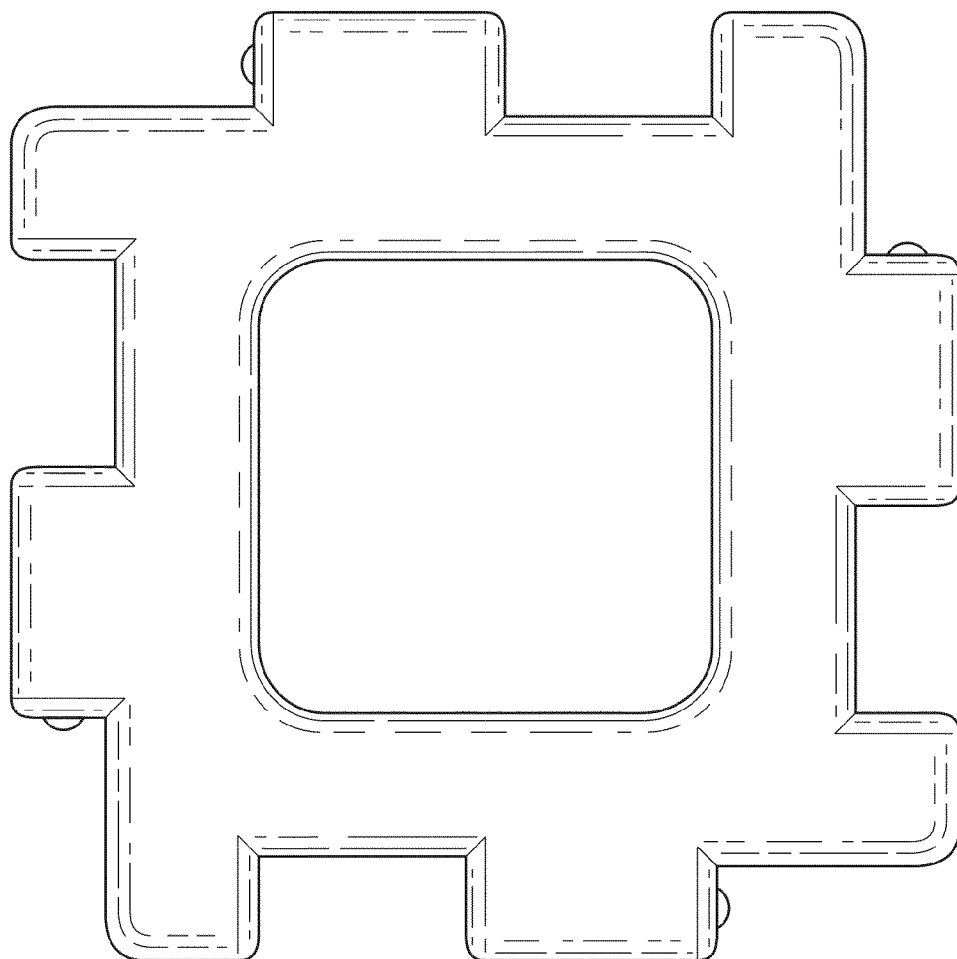


Fig. 3

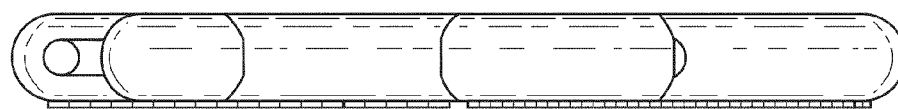


Fig. 4



Fig. 5

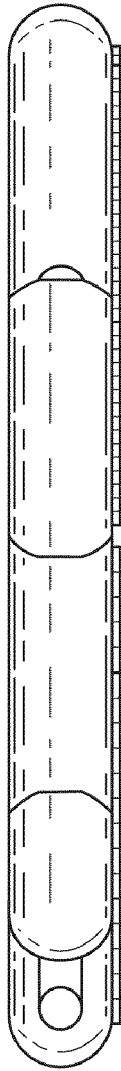


Fig. 6

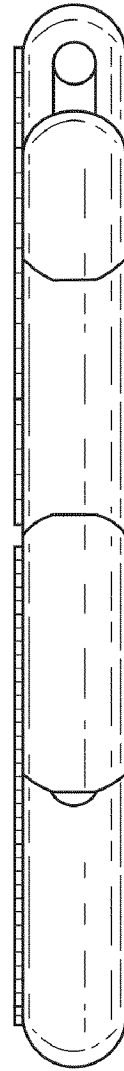


Fig. 7