



US00D795482S

(12) **United States Design Patent**  
**Galipeau et al.**

(10) **Patent No.:** **US D795,482 S**

(45) **Date of Patent:** **\*\* Aug. 22, 2017**

- (54) **LUMINAIRE**
- (71) Applicant: **PHILIPS LIGHTING HOLDING B.V.**, Eindhoven (NL)
- (72) Inventors: **Guy Galipeau**, Boisbriand (CA); **Sergio Jurdana**, Blainville (CA); **Alexandre Plomteux**, Montreal (CA); **Jonathan Hardy**, Laval (CA); **Michel Fortin**, Sainte-Marthe sur le Lac (CA); **Jean-Francois Duquette**, Kirkland (CA); **David Cavaliere**, Prevost (CA)
- (73) Assignee: **PHILIPS LIGHTING HOLDING B.V.**, Eindhoven (NL)
- (\*\*) Term: **15 Years**
- (21) Appl. No.: **29/551,827**
- (22) Filed: **Jan. 18, 2016**
- (51) **LOC (10) Cl.** ..... **26-05**
- (52) **U.S. Cl.**  
USPC ..... **D26/68**
- (58) **Field of Classification Search**  
USPC ..... D26/63, 67-70; D10/113.2  
CPC .... F21S 8/08; F21S 8/081; F21S 8/083; F21S 8/088; F21S 9/03; F21S 9/032; F21S 9/035; F21S 9/037; F21W 2131/109; F21W 2111/023; F21V 21/0824  
See application file for complete search history.

3,145,934 A *	8/1964	Guggemos	.....	F21S 8/088	362/382
D572,398 S *	7/2008	Zhang	.....	D26/68	D26/68
D599,937 S *	9/2009	Sabernig	.....	D26/67	D26/67
D599,938 S *	9/2009	Sabernig	.....	D26/67	D26/67
D660,492 S *	5/2012	Williams	.....	D26/68	D26/68
9,004,706 B1 *	4/2015	Banfield	.....	F21V 33/0056	362/86
2007/0285912 A1 *	12/2007	Lin	.....	F21S 8/088	362/4
2008/0316747 A1 *	12/2008	Lac	.....	F21V 11/02	362/290
2012/0182732 A1 *	7/2012	Moeck	.....	F21K 9/00	362/235
2013/0094198 A1 *	4/2013	Lee	.....	F21L 4/00	362/217.05
2013/0094208 A1 *	4/2013	Gill	.....	F21S 8/088	362/235
2015/0211694 A1 *	7/2015	Camenzuli	.....	F21L 4/08	362/183

\* cited by examiner

*Primary Examiner* — Clare E Heflin

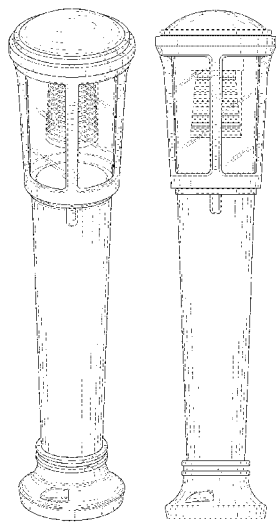
(57) **CLAIM**

The ornamental design for a luminaire, as shown and described.

**DESCRIPTION**

FIG. 1 is a bottom front perspective view showing my design;  
 FIG. 2 is top front perspective view thereof;  
 FIG. 3 is a front elevational view thereof;  
 FIG. 4 is a rear elevational view thereof;  
 FIG. 5 is a left side elevational view thereof;  
 FIG. 6 is a right side elevational view thereof;  
 FIG. 7 is a top plan view thereof; and,  
 FIG. 8 is a bottom plan view thereof.  
 The broken lines shown on the drawings depict portions of the luminaire that form no part of the claimed design.

**1 Claim, 7 Drawing Sheets**



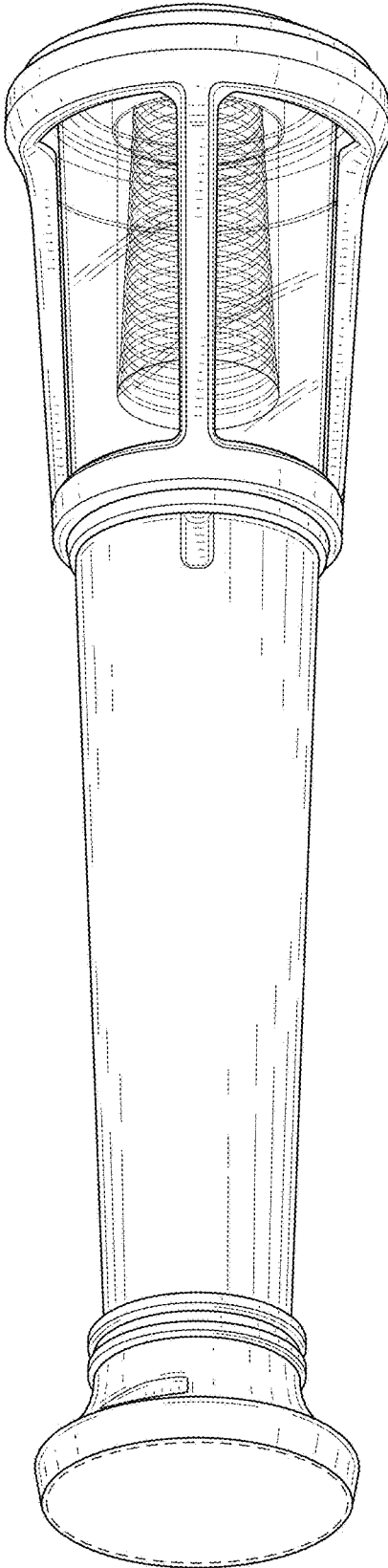


FIG. 1

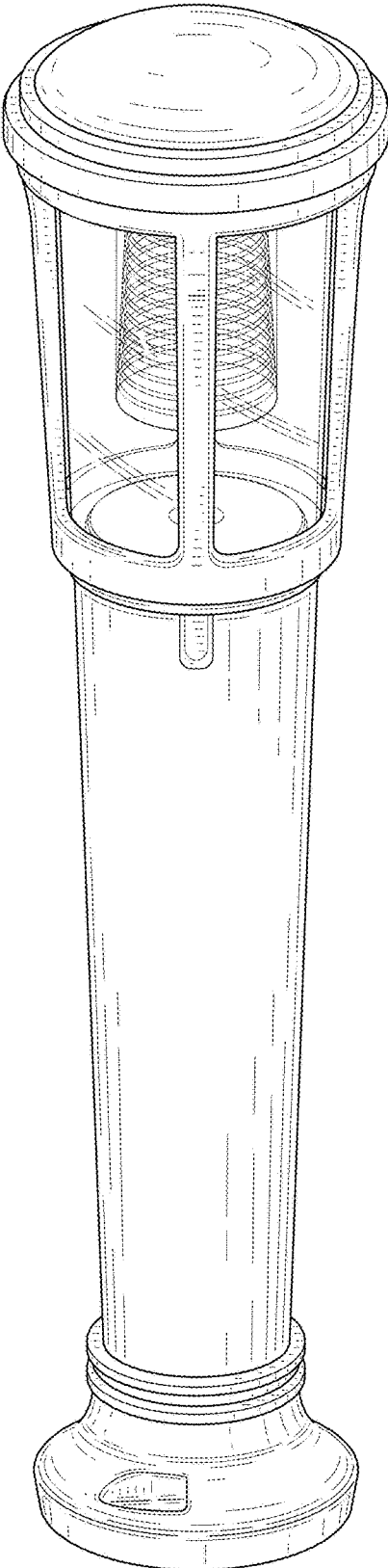


FIG. 2

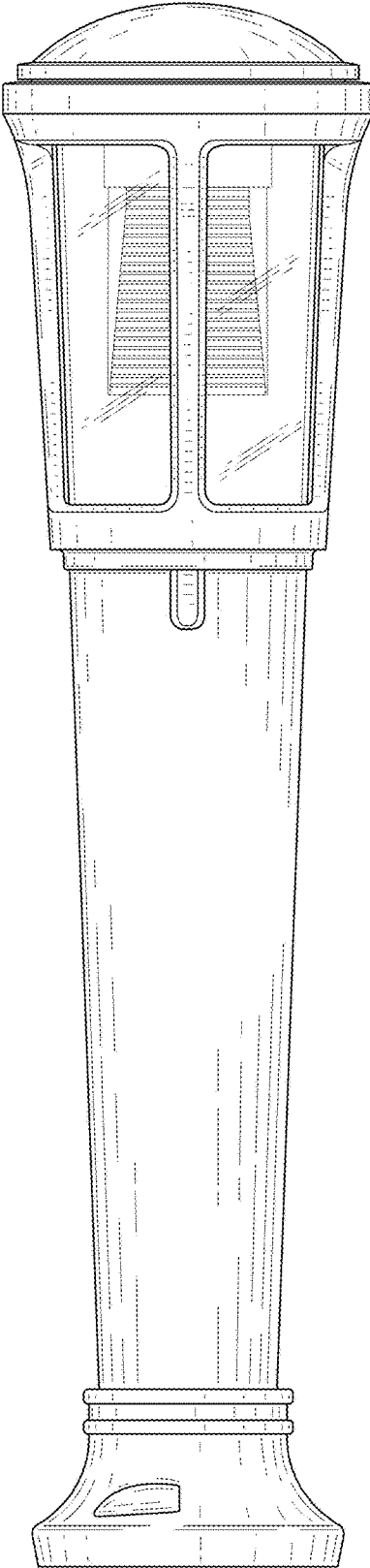


FIG. 3

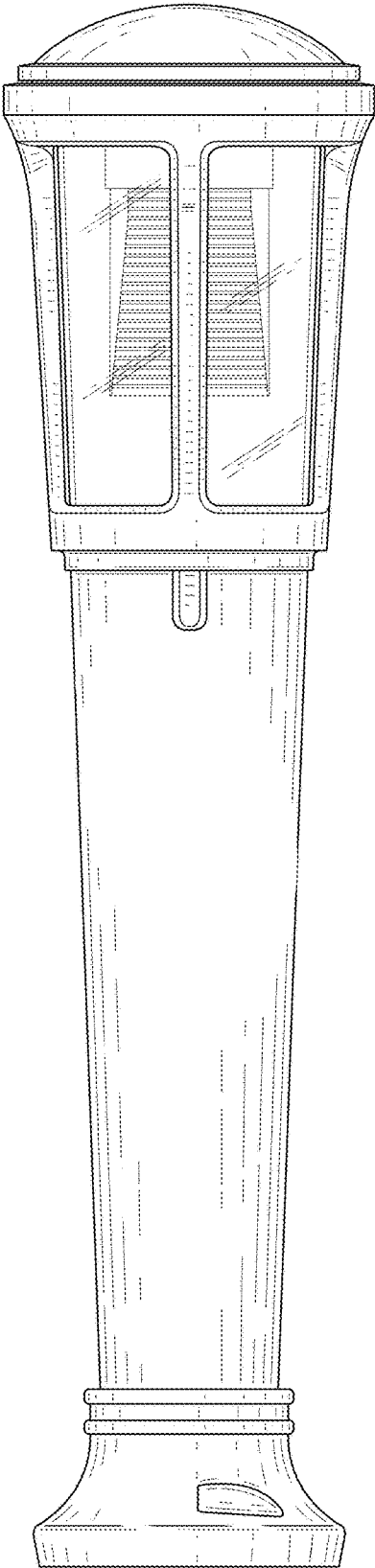


FIG. 4

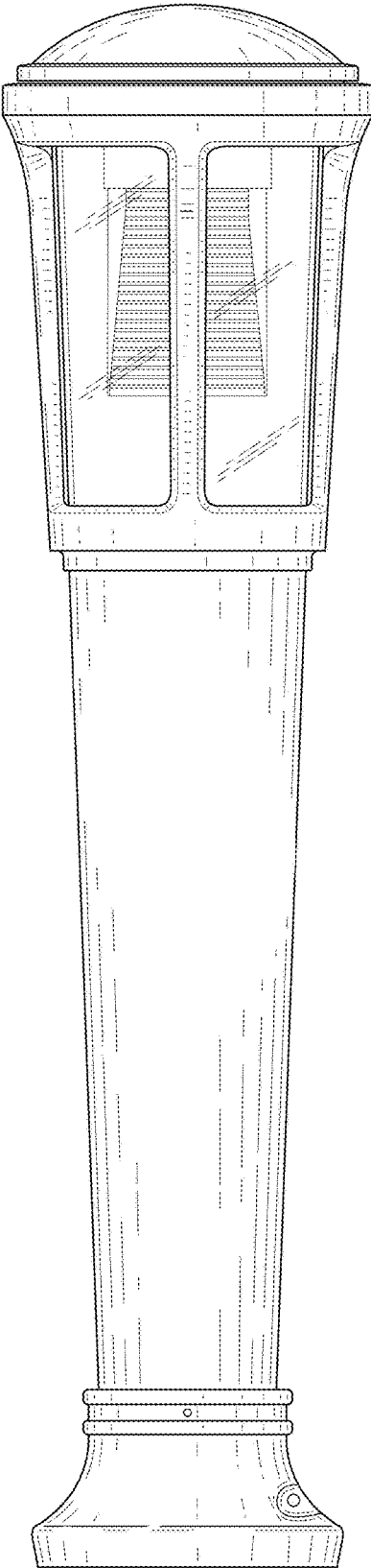


FIG. 5

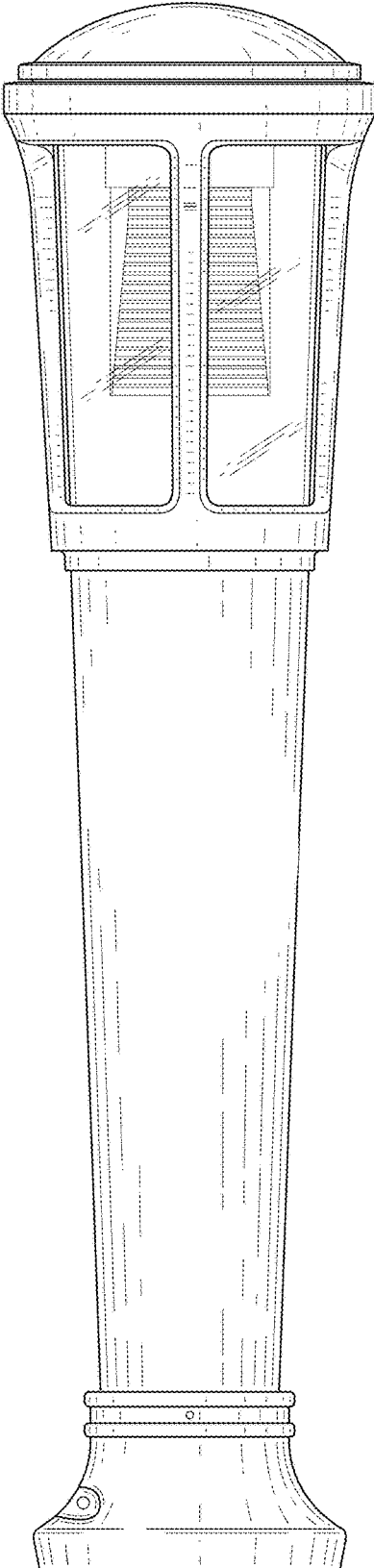


FIG. 6

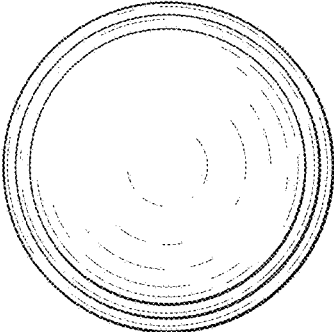


FIG. 7

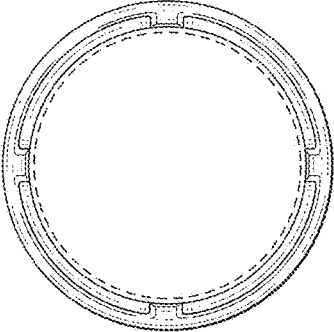


FIG. 8