



US00D941270S

(12) **United States Design Patent**  
**Park**

(10) **Patent No.:** **US D941,270 S**

(45) **Date of Patent:** **\*\* Jan. 18, 2022**

- (54) **WIRELESS REMOTE CONTROL**
- (71) Applicant: **Neofect Co., Ltd.**, Seongnam-si (KR)
- (72) Inventor: **Byeong Geol Park**, Icheon-si (KR)
- (73) Assignee: **Neofect Co., Ltd.**, Seongnam-si (KR)
- (\*\*) Term: **15 Years**

D830,344	S	*	10/2018	Lee	.....	D14/217
D849,004	S	*	5/2019	Bierach	.....	D14/383
D857,663	S	*	8/2019	Knie	.....	D14/218
D862,421	S	*	10/2019	Arimoto	.....	D14/218
D867,335	S	*	11/2019	Lee	.....	D14/218
D879,728	S	*	3/2020	Park	.....	D13/168

- (21) Appl. No.: **35/509,735**
- (22) Filed: **Dec. 30, 2019**

(80) **Hague Agreement Data**

Int. Filing Date: **Dec. 30, 2019**  
 Int. Reg. No.: **DM/206398**  
 Int. Reg. Date: **Dec. 30, 2019**  
 Int. Reg. Pub. Date: **Jul. 3, 2020**

(51) **LOC (13) Cl.** ..... **14-03**

(52) **U.S. Cl.**  
USPC ..... **D14/218**; D13/168

(58) **Field of Classification Search**  
USPC ..... D13/168; D14/218, 455; D21/566  
CPC ..... G08C 17/00; G08C 17/02; H04B 1/202;  
H01H 9/02; H01H 9/0214; H01H 9/0235;  
H01H 9/0242

See application file for complete search history.

(56) **References Cited**

**U.S. PATENT DOCUMENTS**

D399,209	S	*	10/1998	Yamagishi	.....	D14/218
D410,927	S	*	6/1999	Yamagishi	.....	D14/218
D432,524	S	*	10/2000	Yamagishi	.....	D14/218
D492,284	S	*	6/2004	Suzuki	.....	D14/218
D643,832	S	*	8/2011	Park	.....	D14/218
D662,488	S	*	6/2012	Yeo	.....	D14/203.7
D702,732	S	*	4/2014	Wu	.....	D14/496
D713,421	S	*	9/2014	Kaneta	.....	D14/496
D753,091	S	*	4/2016	Miyake	.....	D14/205
D788,822	S	*	6/2017	Nguyen	.....	D14/496

**OTHER PUBLICATIONS**

Velio FreeWave Plus Wireless Remote Shutter Release, upload date Jun. 27, 2012, [online] URL: [https://www.bhphotovideo.com/c/product/753842-REG/Vello\\_RWII\\_N\\_FreeWave\\_Plus\\_Wireless\\_Remote.html](https://www.bhphotovideo.com/c/product/753842-REG/Vello_RWII_N_FreeWave_Plus_Wireless_Remote.html) (Year: 2012).\*

The neomano robotic glove powers people with hand paralysis, publication date Jan. 17, 2020, [online] URL: <https://www.designboom.com/technology/neomano-robotic-glove-powers-people-with-hand-paralysis-01-17-2020/> (Year: 2020).\*

Neomano Neofect, publication date Aug. 4, 2020, [online] URL: <https://web.archive.org/web/20200804135412/https://www.neofect.com/us/neomano> (Year: 2020).\*

\* cited by examiner

*Primary Examiner* — L. A. Grabenstetter  
(74) *Attorney, Agent, or Firm* — Revolution IP, PLLC

(57) **CLAIM**

The ornamental design for a wireless remote control, as shown and described.

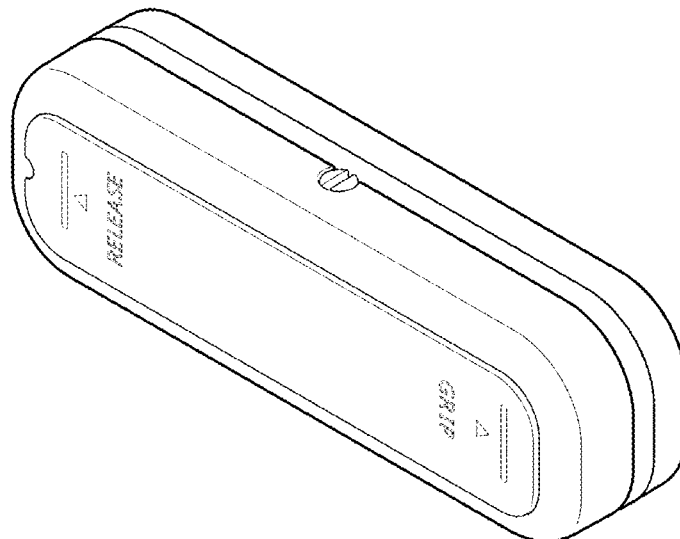
**DESCRIPTION**

1. Wireless Remote Control

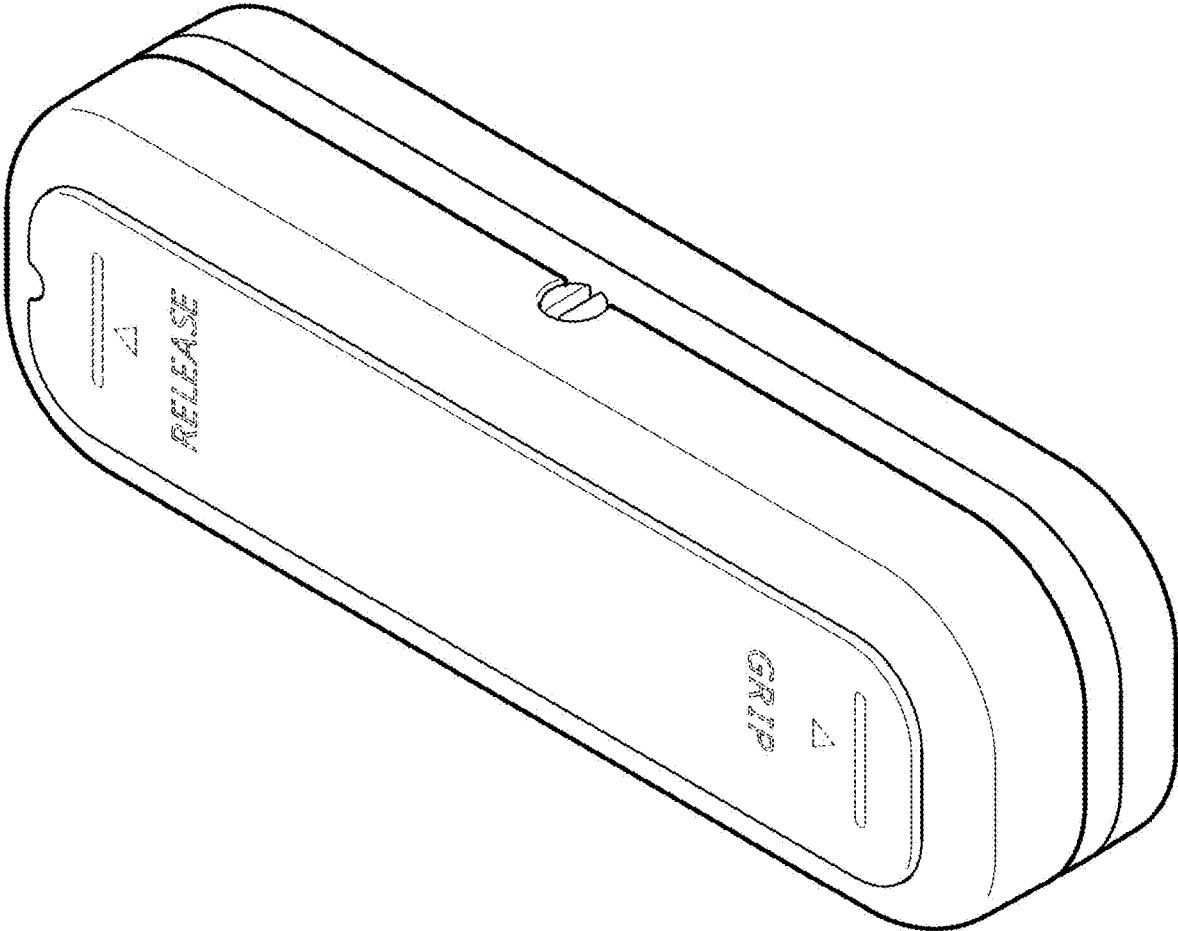
- 1.1 : Perspective
- 1.2 : Front
- 1.3 : Back
- 1.4 : Top
- 1.5 : Bottom
- 1.6 : Left
- 1.7 : Right

The broken lines represent portions of the article that form no part of the claimed design.

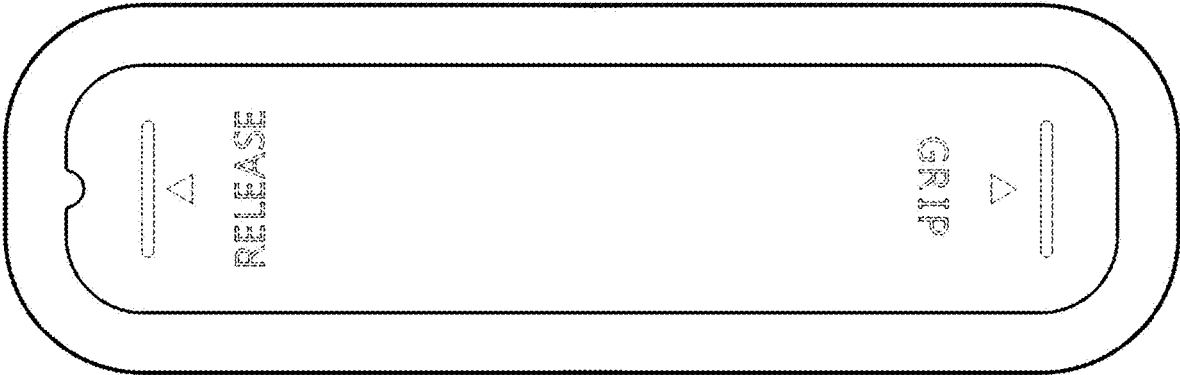
**1 Claim, 7 Drawing Sheets**



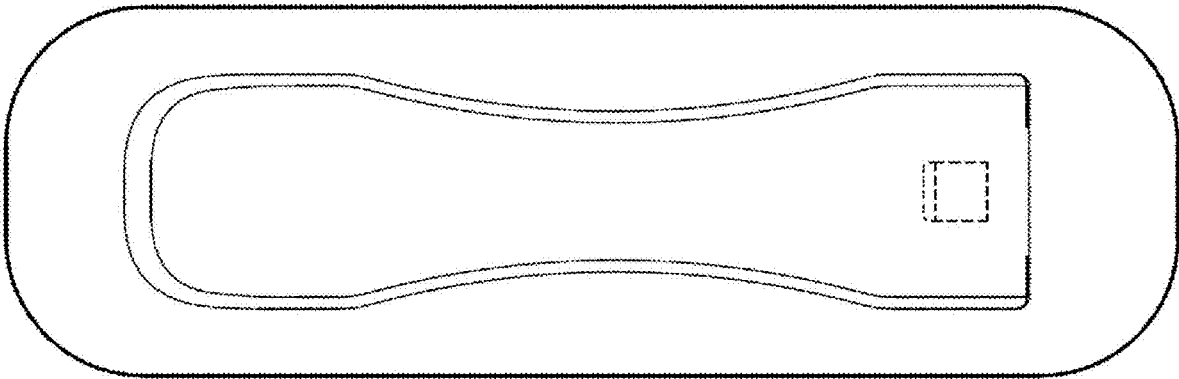
1.1



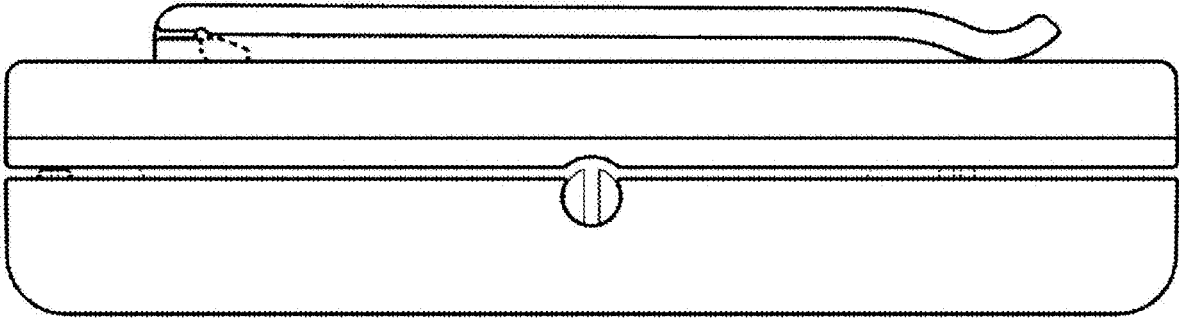
1.2



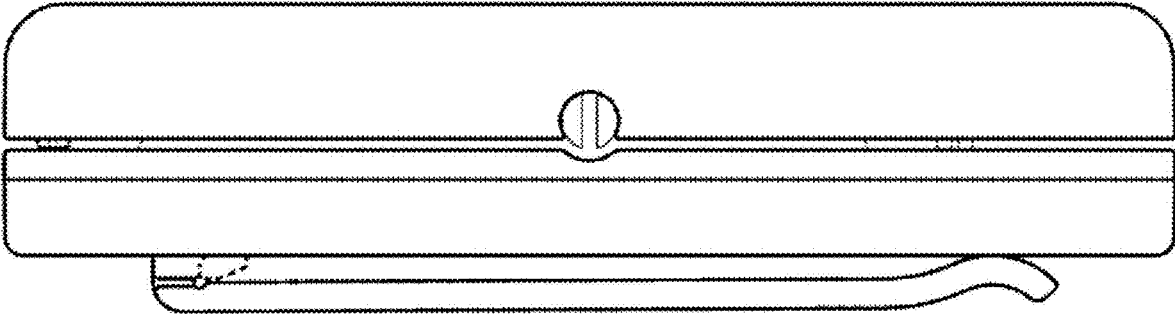
1.3



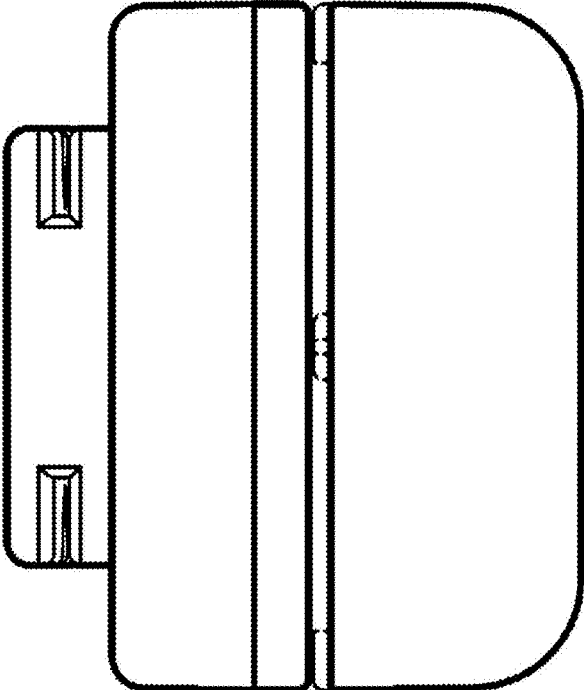
1.4



1.5



1.6



1.7

