



US00D852166S

(12) **United States Design Patent**
Levine

(10) **Patent No.:** **US D852,166 S**

(45) **Date of Patent:** **** Jun. 25, 2019**

- (54) **EARPAD AND BACKING PORTIONS OF HEADPHONE DEVICE**
- (71) Applicant: **New Audio LLC**, New York, NY (US)
- (72) Inventor: **Jonathan E. Levine**, New York, NY (US)
- (73) Assignee: **New Audio LLC**, New York, NY (US)
- (**) Term: **15 Years**
- (21) Appl. No.: **29/628,837**
- (22) Filed: **Dec. 7, 2017**

- 1,483,315 A 2/1924 Saal
 - 1,489,978 A 4/1924 Oscar
 - 1,555,997 A 10/1925 Tiodolf
 - 1,587,409 A 6/1926 Ouillette
 - 1,649,551 A 11/1927 Smith
 - 1,821,529 A 9/1931 Spencer
 - 1,926,688 A 9/1933 Schaal
- (Continued)

Related U.S. Application Data

- (63) Continuation of application No. 29/571,804, filed on Jul. 21, 2016, now Pat. No. Des. 805,056, which is a continuation of application No. 29/520,926, filed on Mar. 18, 2015, now Pat. No. Des. 762,190, which is a continuation of application No. 29/481,787, filed on Feb. 10, 2014, now Pat. No. Des. 727,280.

- (51) **LOC (11) Cl.** **14-01**
- (52) **U.S. Cl.**
USPC **D14/205**

- (58) **Field of Classification Search**
USPC D14/205, 206, 188, 192; D29/112;
2/209; 181/129, 130, 135; 379/430, 431;
381/380, 381, 374; 455/90.3, 575.1,
455/569.1
CPC H04R 1/1066; H04R 1/1016; H04R 5/033;
H04R 5/0335; H04R 1/10; H04R 25/00;
H04R 1/1091; H04R 1/105
See application file for complete search history.

- (56) **References Cited**

U.S. PATENT DOCUMENTS

- 459,140 A 9/1891 Kronenberg
- 1,127,161 A 2/1915 Baldwin

OTHER PUBLICATIONS

U.S. Appl. No. 15/853,395, filed Dec. 22, 2017, Levine, Jonathan E. et al.
(Continued)

Primary Examiner — Paula Allen Greene
(74) *Attorney, Agent, or Firm* — Perkins Coie LLP

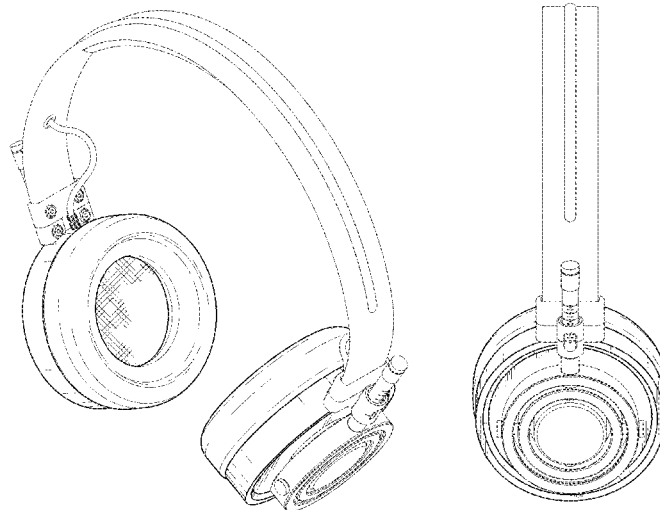
(57) **CLAIM**

The ornamental design for earpad and backing portions of headphone device, as shown and described.

DESCRIPTION

FIG. 1 is a perspective view of earpad and backing portions of headphone device showing my new design, as viewed from the top and front.
FIG. 2 is a front profile view of the earpad and backing portions of headphone device shown in FIG. 1.
FIG. 3 is a back profile view of the earpad and backing portions of headphone device shown in FIG. 1.
FIG. 4 is a first side profile view of the earpad and backing portions of headphone device shown in FIG. 1.
FIG. 5 is a second side profile view of the earpad and backing portions of headphone device shown in FIG. 1.
FIG. 6 is a plan view of the earpad and backing portions of headphone device shown in FIG. 1; and,
FIG. 7 is an inverse plan view of the earpad and backing portions of headphone device shown in FIG. 1.
The details shown in broken lines illustrate features that form no part of the claimed design.

1 Claim, 5 Drawing Sheets



(56)

References Cited

U.S. PATENT DOCUMENTS

2,235,372 A 3/1941 Kalbitz
 2,373,172 A 4/1945 Darby
 2,394,374 A 2/1946 Gilman
 2,413,345 A 12/1946 Gliman
 2,486,267 A 10/1949 Dulinsky
 D156,329 S 12/1949 Federico et al.
 2,670,807 A 3/1954 Brown
 2,782,423 A 2/1957 Simon et al.
 2,924,290 A 2/1960 Zuerker
 3,440,663 A 4/1969 Beguin
 3,488,457 A 1/1970 Lahti
 3,797,045 A 3/1974 Aho
 3,859,748 A 1/1975 Blue
 3,922,725 A 12/1975 Csiki et al.
 3,959,989 A 6/1976 Bhandia
 4,037,064 A 7/1977 Yasuda
 4,173,715 A 11/1979 Gosman
 4,175,217 A 11/1979 Williams
 D255,352 S 6/1980 Besasie
 4,306,121 A 12/1981 Joscelyn et al.
 4,385,209 A 5/1983 Greason
 4,424,881 A 1/1984 Hattori
 D274,516 S 7/1984 Walker, Jr.
 4,472,607 A 9/1984 Hung
 4,538,034 A * 8/1985 French H04R 5/0335
 2/209
 D287,849 S 1/1987 O'Malley et al.
 D291,198 S * 8/1987 Bellini D14/205
 4,689,822 A 8/1987 Hung
 4,796,307 A 1/1989 Vantine
 4,829,571 A 5/1989 Kakiuchi et al.
 5,035,005 A 7/1991 Hung
 D328,074 S 7/1992 Yamazaki
 5,233,650 A 8/1993 Chan
 5,293,647 A 3/1994 Mirmilshzteyn et al.
 5,333,206 A 7/1994 Koss
 5,438,626 A 8/1995 Neuman
 5,551,090 A 9/1996 Thompson
 D390,282 S 2/1998 Burdick
 D402,318 S 12/1998 Dunipace
 D402,659 S 12/1998 Suzuki
 D410,466 S 6/1999 Mour
 D413,550 S 9/1999 Otterson et al.
 D415,763 S 10/1999 Petchonka
 D422,206 S 4/2000 Clark
 D431,550 S 10/2000 Yoneda
 D432,522 S 10/2000 Kieltyka et al.
 6,263,085 B1 7/2001 Weffer
 D453,015 S 1/2002 Yuyama
 D464,630 S 10/2002 Woodworth
 D484,485 S 12/2003 Matsuoka
 D504,414 S 4/2005 Yoshida
 D508,483 S 8/2005 Suzuki
 6,980,165 B2 12/2005 Yuasa
 D514,087 S 1/2006 Wilson et al.
 D517,527 S 3/2006 Suzuki
 D518,474 S 4/2006 Suzuki
 D560,654 S 1/2008 Feng
 D567,215 S 4/2008 Lee
 7,388,960 B2 6/2008 Kuo et al.
 7,457,649 B1 11/2008 Wilson
 D588,098 S 3/2009 Kurihara
 D592,640 S 5/2009 Sanguinetti
 D600,673 S 9/2009 Kim
 D620,474 S 7/2010 Komiyama
 D633,895 S 3/2011 Morimoto
 D635,958 S 4/2011 Ando et al.
 D637,176 S 5/2011 Brunner

D652,021 S 1/2012 Miyawaki
 D652,022 S 1/2012 Miyawaki
 D657,776 S 4/2012 Lee
 D662,490 S 6/2012 McSweyn
 D671,914 S 12/2012 Lee
 8,325,962 B2 12/2012 Ishida
 D673,519 S 1/2013 Tan
 D673,520 S 1/2013 Tan
 D677,647 S * 3/2013 Lee D14/205
 D680,999 S 4/2013 Chan
 D689,843 S 9/2013 Lee
 D691,579 S * 10/2013 Lee D14/205
 D693,791 S 11/2013 Troy
 D696,644 S 12/2013 Sejpka
 8,737,668 B1 5/2014 Blair et al.
 D708,162 S 7/2014 Wenger et al.
 D711,348 S * 8/2014 Yang D14/205
 D712,872 S 9/2014 Yuen
 D727,280 S 4/2015 Levine
 D727,281 S 4/2015 Levine
 D732,503 S 6/2015 Brunner
 D734,296 S 7/2015 Paterson
 D736,174 S 8/2015 Levine
 D736,175 S 8/2015 Levine
 D741,842 S 10/2015 Levine
 D762,190 S 7/2016 Levine
 D762,191 S 7/2016 Levine
 D772,841 S 11/2016 Levine
 D780,155 S * 2/2017 Levine D14/205
 D781,265 S 3/2017 Levine et al.
 D781,814 S 3/2017 Levine
 9,729,954 B2 8/2017 Levine et al.
 D805,056 S 12/2017 Levine
 D808,359 S * 1/2018 Meyer D14/205
 D809,477 S * 2/2018 Brunner D14/205
 D809,478 S * 2/2018 Arimoto D14/205
 D810,055 S 2/2018 Levine
 D812,588 S 3/2018 Levine
 D820,810 S 6/2018 Levine et al.
 2005/0105755 A1 5/2005 Yueh
 2008/0056525 A1 3/2008 Fujiwara et al.
 2010/0177907 A1 7/2010 Morisawa
 2012/0070028 A1 3/2012 Margulies
 2017/0041696 A1 2/2017 Levine et al.
 2017/0041697 A1 2/2017 Levine et al.
 2017/0134845 A1 5/2017 Milam et al.
 2017/0339479 A1 11/2017 Levine
 2018/0020277 A1 1/2018 Briggs
 2018/0020278 A1 1/2018 Levine et al.

OTHER PUBLICATIONS

Design U.S. Appl. No. 29/599,322, filed Mar. 31, 2017, Levine, Jonathan E. et al.
 Design U.S. Appl. No. 29/599,994, filed Apr. 7, 2017, Levine, Jonathan E. et al.
 Design U.S. Appl. No. 29/632,542, filed Jan. 8, 2018, Drew Stone Briggs et al.
 Design U.S. Appl. No. 29/636,718, filed Feb. 9, 2018, Levine, Jonathan E.
 Design U.S. Appl. No. 29/596,857, filed Mar. 10, 2017, Levine, Jonathan E. et al.
 Design U.S. Appl. No. 29/636,714, filed Feb. 9, 2018, Levine, Jonathan E.
 Design U.S. Appl. No. 29/647,397, filed May 11, 2018, Briggs, Drew Stone et al.
 Design U.S. Appl. No. 29/647,389, filed May 11, 2018, Briggs, Drew Stone et al.

* cited by examiner

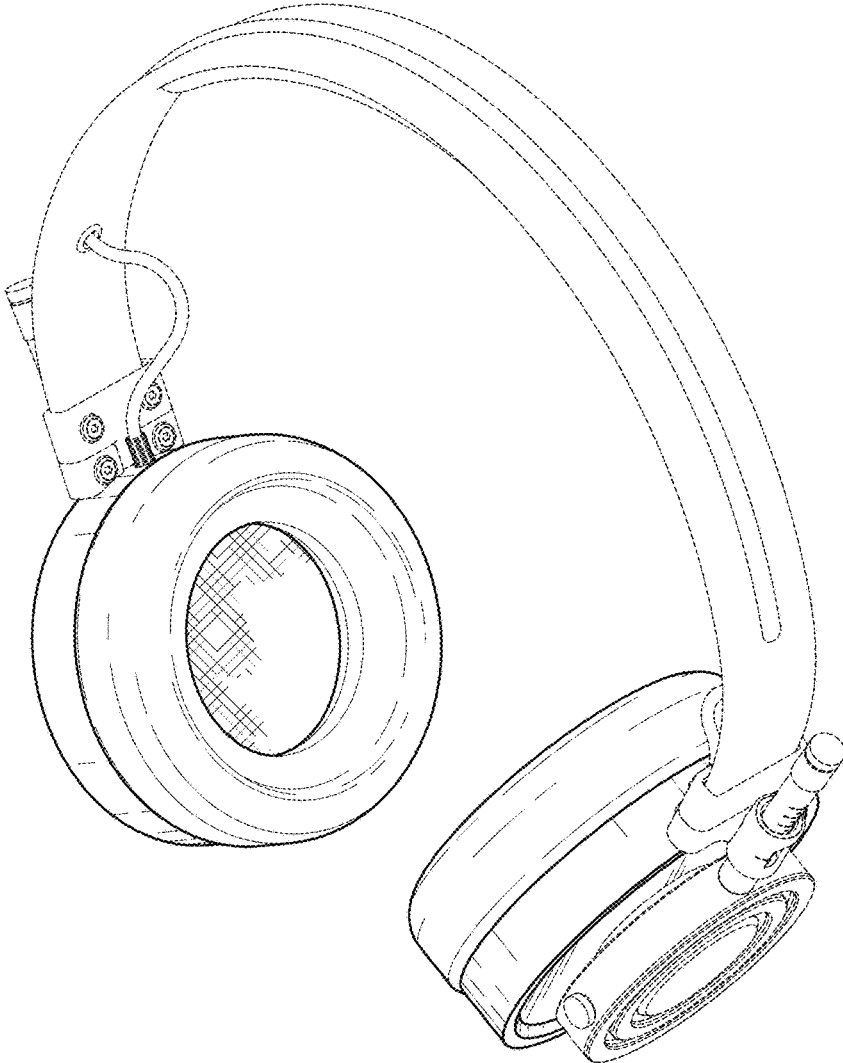


Fig. 1



Fig. 2



Fig. 3

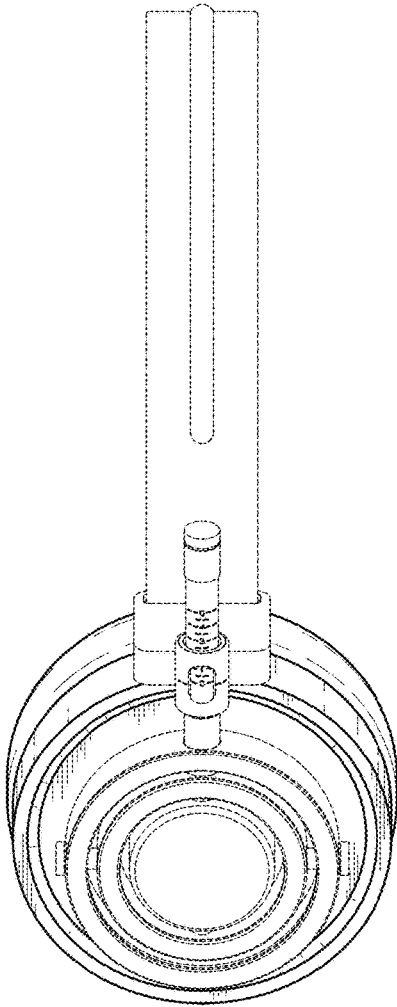


Fig. 4

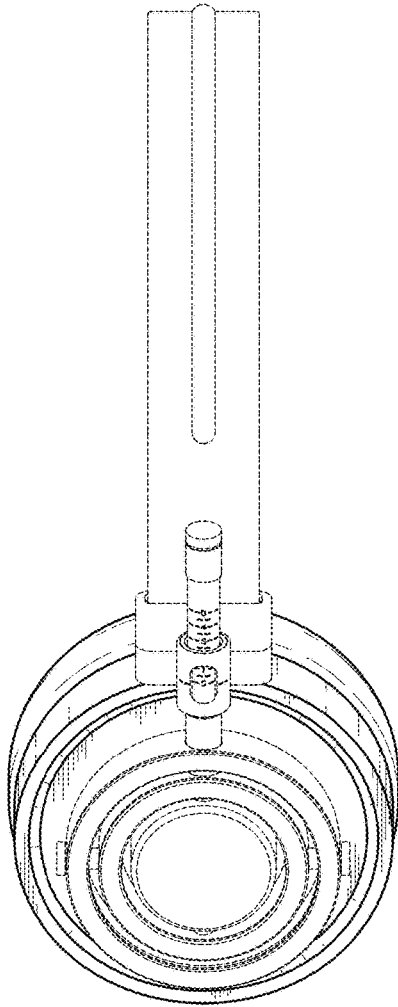


Fig. 5

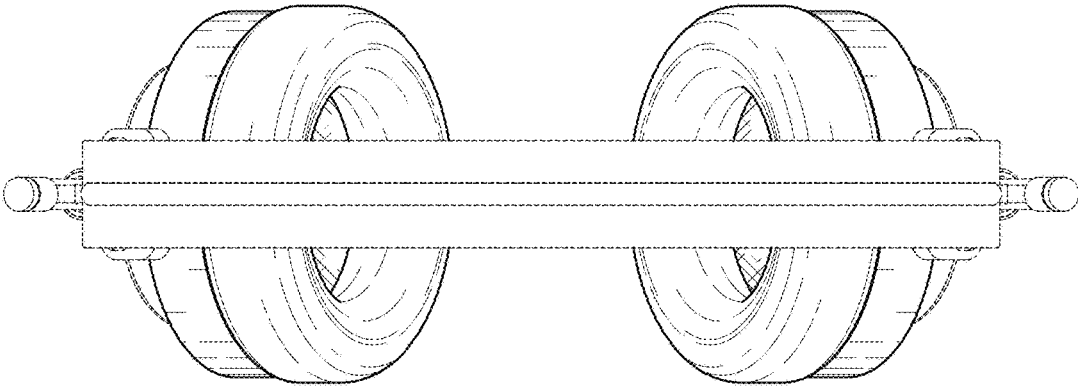


Fig. 6

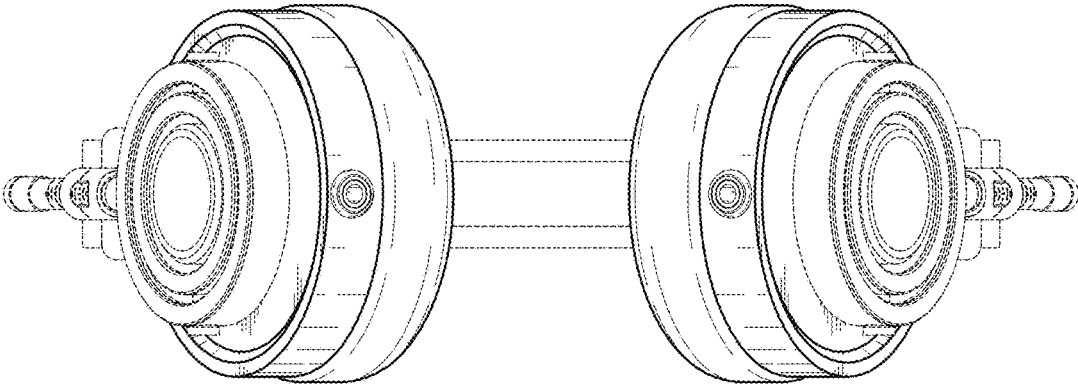


Fig. 7