



US00D868441S

(12) **United States Design Patent**
Greenhalgh

(10) **Patent No.:** **US D868,441 S**

(45) **Date of Patent:** **** Dec. 3, 2019**

- (54) **SHOE**
- (71) Applicant: **Reebok International Limited**, London (GB)
- (72) Inventor: **John Greenhalgh**, Foxboro, MA (US)
- (73) Assignee: **Reebok International Limited**, London (GB)
- (**) Term: **15 Years**
- (21) Appl. No.: **29/628,932**
- (22) Filed: **Dec. 8, 2017**

- 4,439,936 A 4/1984 Clarke et al.
- D288,621 S 3/1987 Surpuriya et al.
- D299,681 S 2/1989 Miller et al.
- D301,184 S 5/1989 Hase
- D301,800 S 6/1989 Mitsui
- D321,973 S 12/1991 Hatfield
- 5,197,206 A 3/1993 Shorten
- 5,197,207 A 3/1993 Shorten
- D335,572 S 5/1993 Peterson
- D380,889 S 7/1997 Earle
- D390,348 S 2/1998 Meyer et al.
- D395,340 S 6/1998 Tresser
- D395,740 S 7/1998 Cass

(Continued)

Primary Examiner — T Chase Nelson

(74) *Attorney, Agent, or Firm* — Sterne, Kessler, Goldstein & Fox P.L.L.C.

Related U.S. Application Data

- (60) Continuation of application No. 29/554,582, filed on Feb. 12, 2016, now Pat. No. Des. 807,001, which is a division of application No. 29/476,545, filed on Dec. 13, 2013, now Pat. No. Des. 749,310.

- (51) **LOC (12) Cl.** **02-04**
- (52) **U.S. Cl.**

USPC **D2/957**; D2/947; D2/951; D2/960

- (58) **Field of Classification Search**

USPC D2/902, 906, 908, 916, 918, 925,
 D2/946-962, 977; 36/3 B, 22 R, 24.5,
 36/25 R, 28, 32 R, 34 R, 59 C, 67 A, 103
 See application file for complete search history.

- (56) **References Cited**

U.S. PATENT DOCUMENTS

- 2,853,809 A 9/1958 Bianchi
- 3,416,174 A 12/1968 Novitske
- 3,793,750 A 2/1974 Bowerman
- 4,271,606 A 6/1981 Rudy
- 4,309,831 A 1/1982 Pritt
- 4,377,041 A 3/1983 Alchermes
- 4,378,643 A 4/1983 Johnson

(57) **CLAIM**

The ornamental design for a shoe, as shown and described.

DESCRIPTION

FIG. 1 is a bottom perspective view of a shoe showing the claimed design;

FIG. 2 is a bottom view thereof;

FIG. 3 is a side view thereof;

FIG. 4 is another side view thereof;

FIG. 5 is a front view thereof;

FIG. 6 is a rear view;

FIG. 7 is a bottom perspective view of another embodiment of a shoe showing the claimed design;

FIG. 8 is a bottom view thereof;

FIG. 9 is a side view thereof;

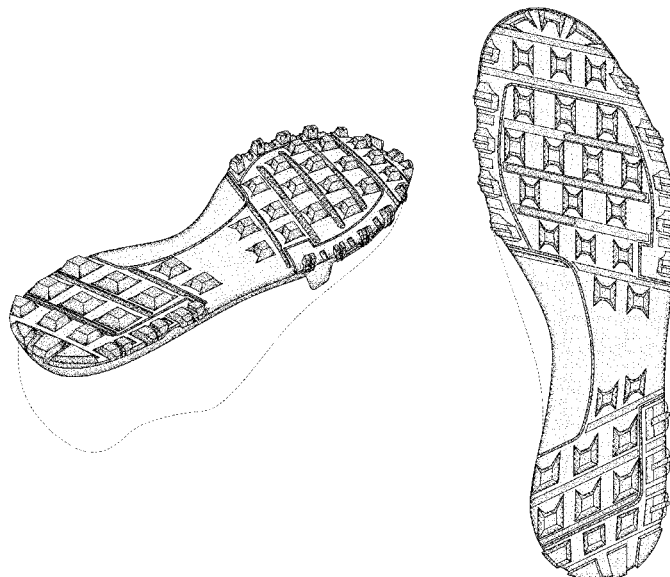
FIG. 10 is another side view thereof;

FIG. 11 is a front view thereof; and,

FIG. 12 is a rear view.

The broken lines in the figures show portions of the shoe that form no part of the claimed design.

1 Claim, 10 Drawing Sheets



(56)

References Cited

U.S. PATENT DOCUMENTS

D397,546 S	9/1998	Merceron	D727,002 S	4/2015	Sassi	
D400,345 S	11/1998	Teague	D735,454 S	8/2015	Yun	
D404,897 S	2/1999	Marshall	D737,030 S	8/2015	Bizzo	
D407,193 S	3/1999	Doxey	D744,214 S	12/2015	McMillan	
5,955,159 A	9/1999	Allen et al.	D749,310 S *	2/2016	Greenhalgh	D2/951
5,985,383 A	11/1999	Allen et al.	9,265,301 B2	2/2016	Wan et al.	
D418,665 S	1/2000	Hatfield	9,427,042 B2 *	8/2016	Gillespie	A43B 3/24
6,018,889 A	2/2000	Friton	D767,265 S	9/2016	Brown	
D442,768 S	5/2001	Matis	D779,177 S	2/2017	Gibson	
6,665,958 B2	12/2003	Goodwin	D787,169 S	5/2017	Sassi	
D487,333 S	3/2004	Laska	D788,421 S	6/2017	Gibson	
D495,857 S	9/2004	Herbst	9,706,809 B2 *	7/2017	James	A43B 13/141
D497,707 S	11/2004	Lee	D797,423 S *	9/2017	Bischoff	D2/951
D536,163 S	2/2007	McClaskie	D802,899 S *	11/2017	Bischoff	D2/957
D538,519 S	3/2007	McClaskie	D807,001 S *	1/2018	Greenhalgh	D2/957
D556,988 S	12/2007	Horne et al.	9,907,362 B2 *	3/2018	Hatfield	A43B 23/02
D561,438 S	2/2008	Belley	D814,156 S *	4/2018	Mial	D2/957
D561,439 S	2/2008	Schoenborn et al.	D836,893 S *	1/2019	Bischoff	D2/956
D561,440 S	2/2008	Andersen et al.	D838,942 S *	1/2019	Sassi	D2/896
7,383,647 B2	6/2008	Chan et al.	D844,958 S *	4/2019	Newman	D2/955
D573,779 S	7/2008	Stauffer	D847,478 S *	5/2019	Fracassi	A43B 23/02
7,637,036 B2	12/2009	Sellers et al.				D2/957
7,704,430 B2	4/2010	Johnson et al.	D848,131 S *	5/2019	Moranges	A43B 13/187
7,918,041 B2	4/2011	Cho				D2/957
8,099,880 B2	1/2012	Brewer et al.	D849,381 S *	5/2019	Howe	A43B 13/141
8,191,284 B2	6/2012	Cho				D2/957
D672,543 S	12/2012	Williams, Jr.	2002/0078598 A1	6/2002	Bell	
D672,949 S	12/2012	Bramani et al.	2006/0201028 A1	9/2006	Chan et al.	
D682,519 S	5/2013	Litchfield et al.	2009/0139112 A1	6/2009	Garneau	
8,460,593 B2	6/2013	Fogg et al.	2009/0183392 A1	7/2009	Shane	
D695,502 S	12/2013	Miner	2010/0170106 A1	7/2010	Brewer et al.	
D696,505 S	12/2013	Miner	2011/0099855 A1	5/2011	Cho	
D702,031 S	4/2014	Nakano	2011/0247243 A1	10/2011	Eder et al.	
D702,428 S	4/2014	Hlavacs	2013/0283641 A1	10/2013	Rapf et al.	
D703,425 S	4/2014	Lee	2014/0150297 A1	6/2014	Holmes et al.	
D707,023 S	6/2014	Della Valle et al.	2014/0259787 A1	9/2014	Guyan et al.	
D709,274 S	7/2014	Roulo	2014/0259788 A1	9/2014	Dojan et al.	
D710,078 S	8/2014	Joseph	2014/0259789 A1	9/2014	Dojan et al.	
D711,637 S	8/2014	Miner	2015/0033577 A1	2/2015	Dahl et al.	
D712,124 S	9/2014	Truelsen	2016/0255911 A1	9/2016	Fujita et al.	
D712,128 S	9/2014	Zaedow	2016/0353836 A1	12/2016	Luedecke et al.	
D713,628 S	9/2014	Greenspan	2017/0079373 A1	3/2017	Huard et al.	
D724,295 S	3/2015	Dodge et al.	2017/0119091 A1 *	5/2017	Bischoff	A43B 13/188
8,991,076 B2	3/2015	Kasprzak	2017/0202305 A1	7/2017	Huard et al.	
			2017/0258180 A1 *	9/2017	Cross	A43B 13/187
			2017/0273401 A1 *	9/2017	Hatfield	A43B 13/141

* cited by examiner

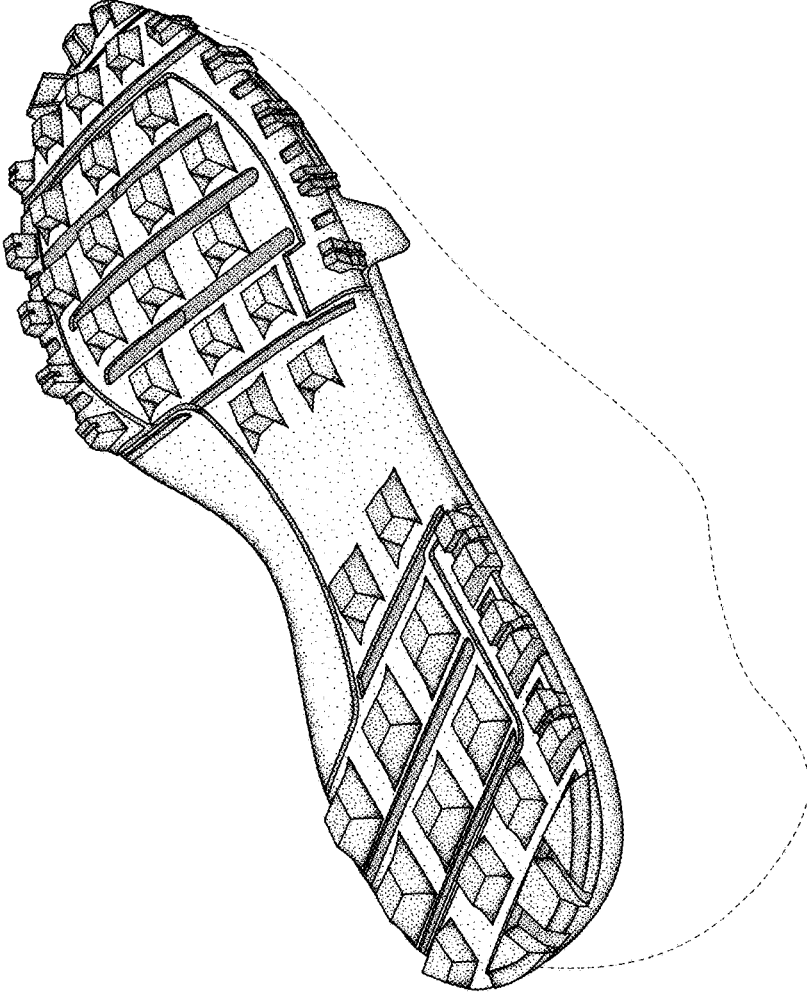


FIG. 1

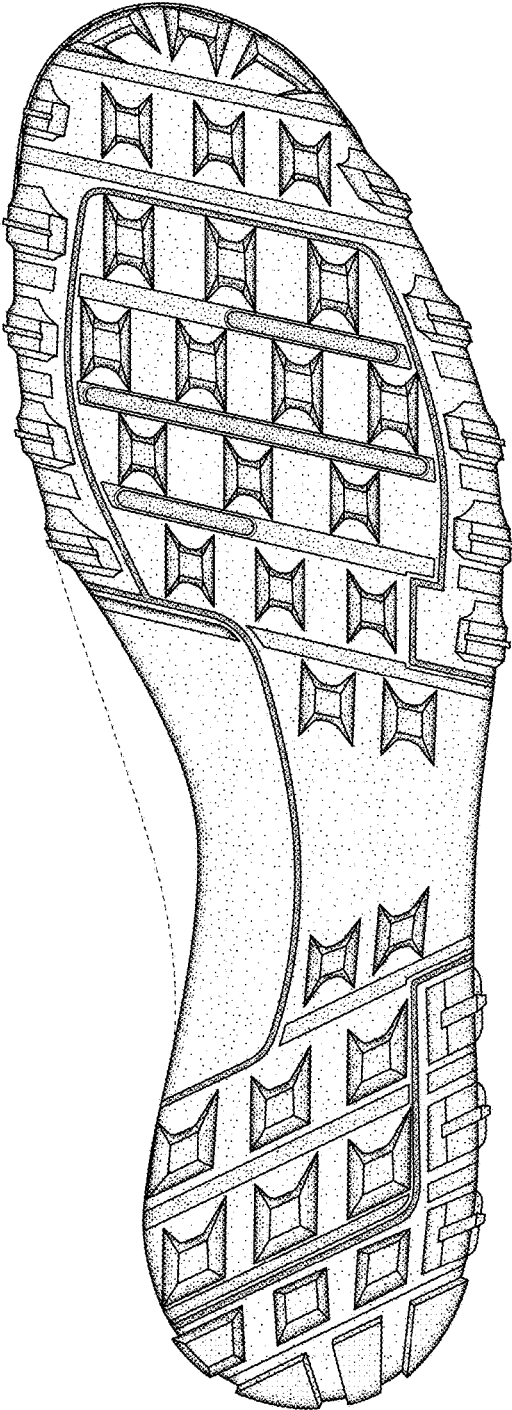


FIG. 2

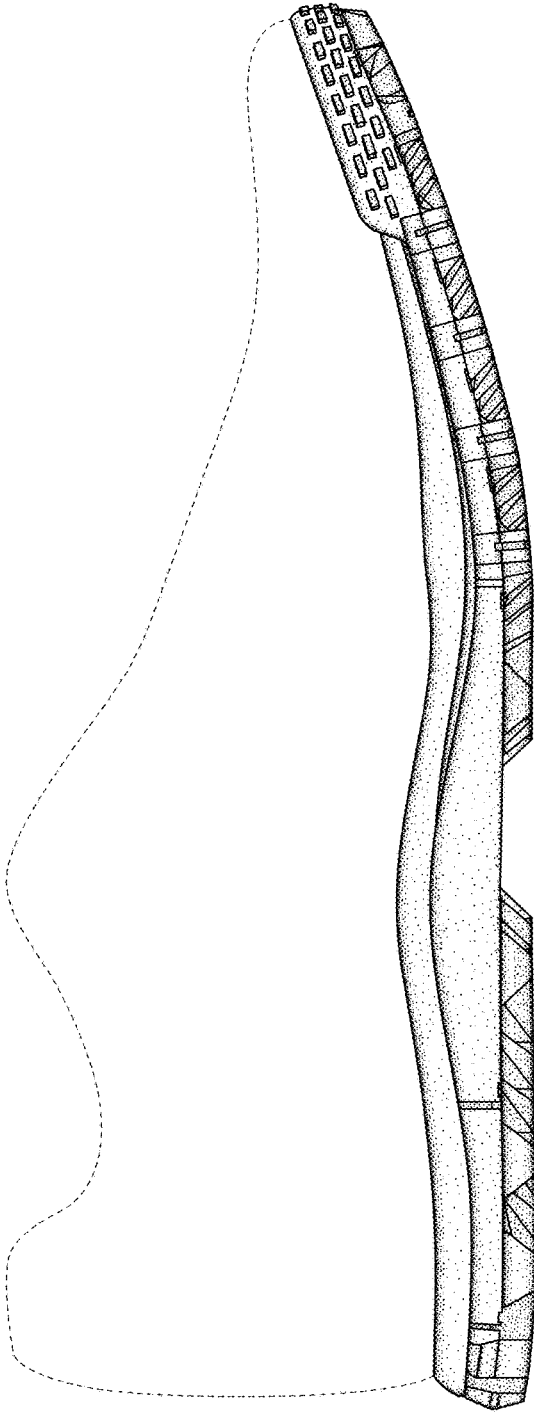


FIG. 3

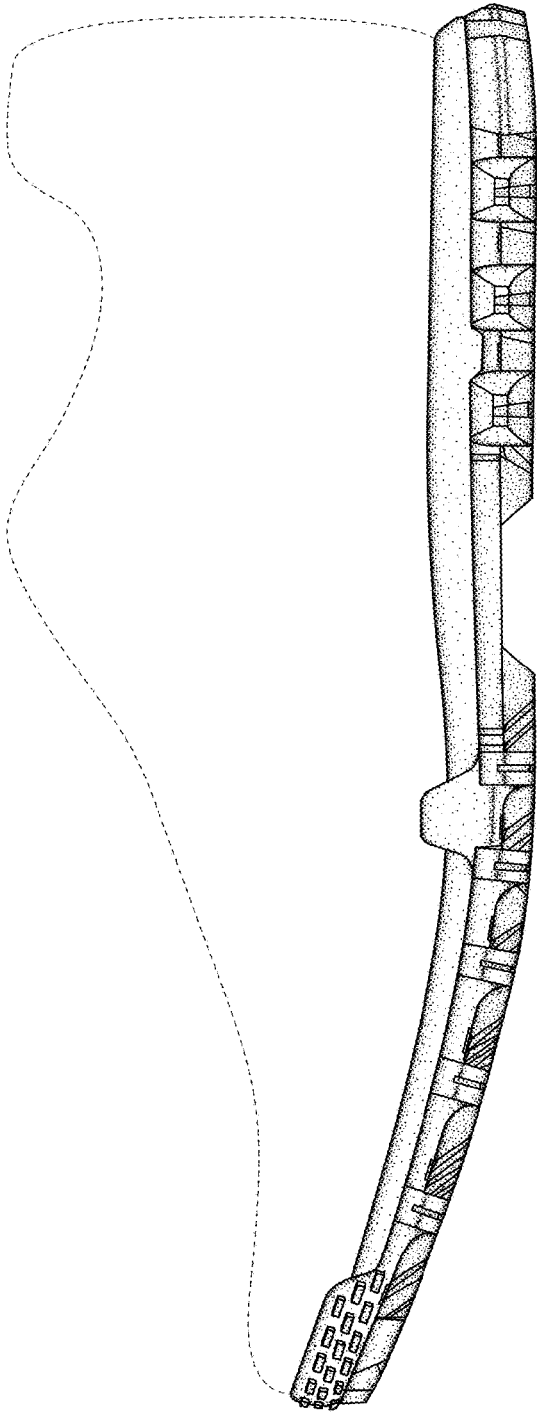


FIG. 4

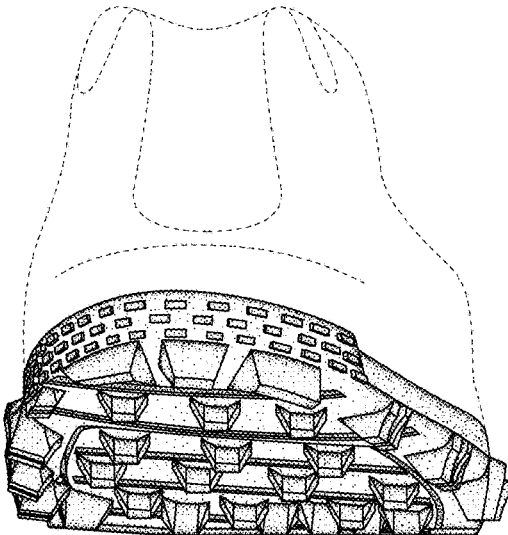


FIG. 5

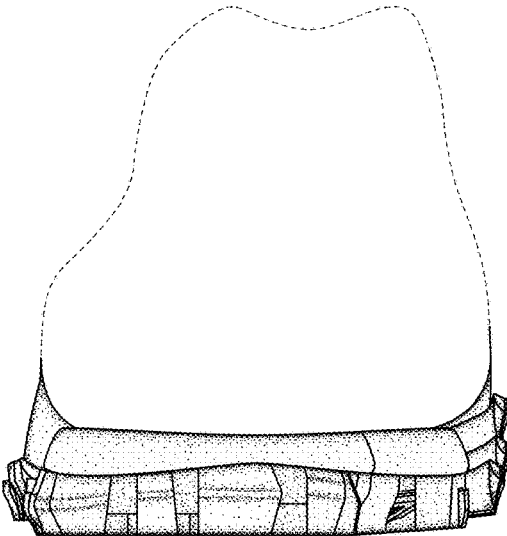


FIG. 6

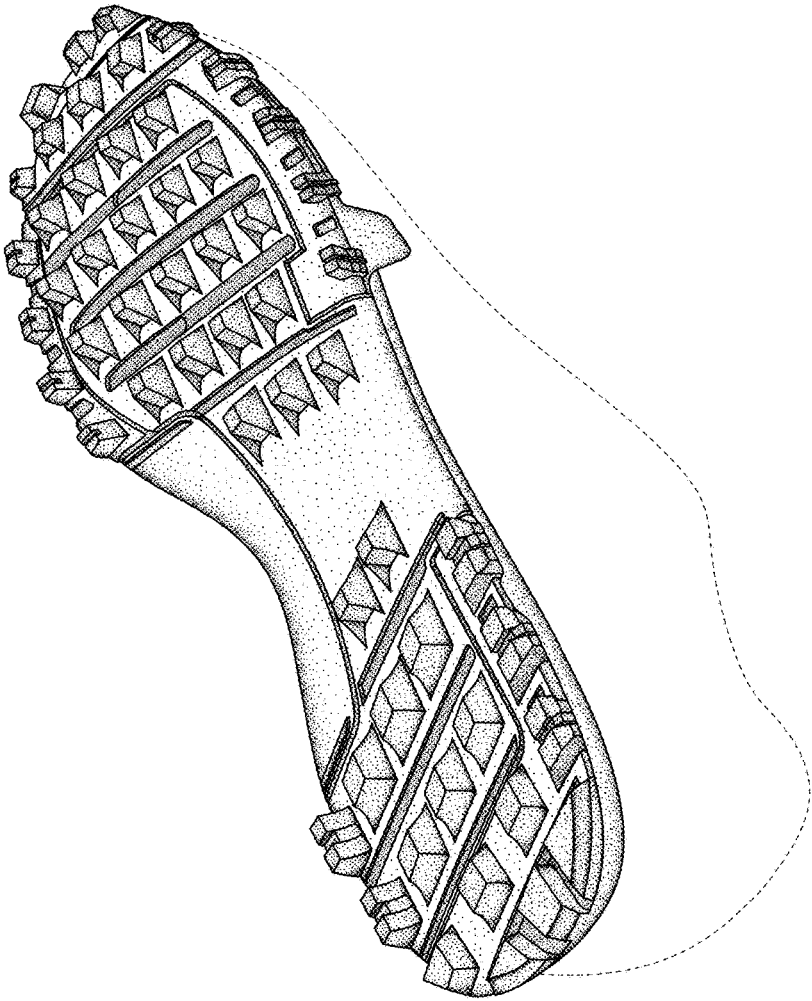


FIG. 7

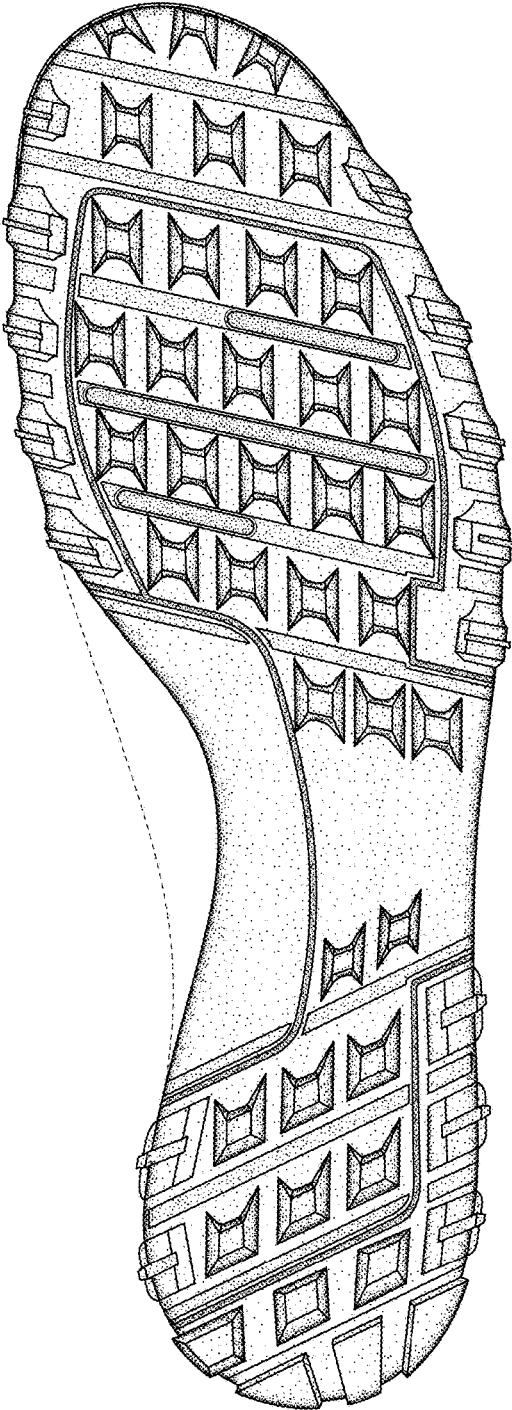


FIG. 8

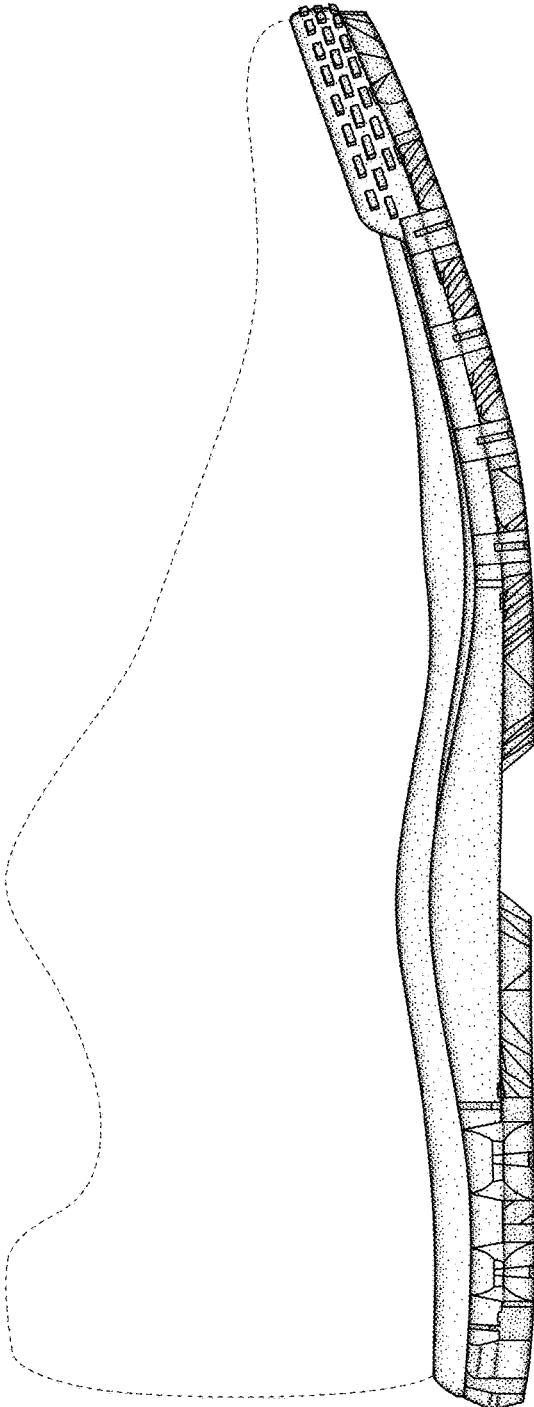


FIG. 9

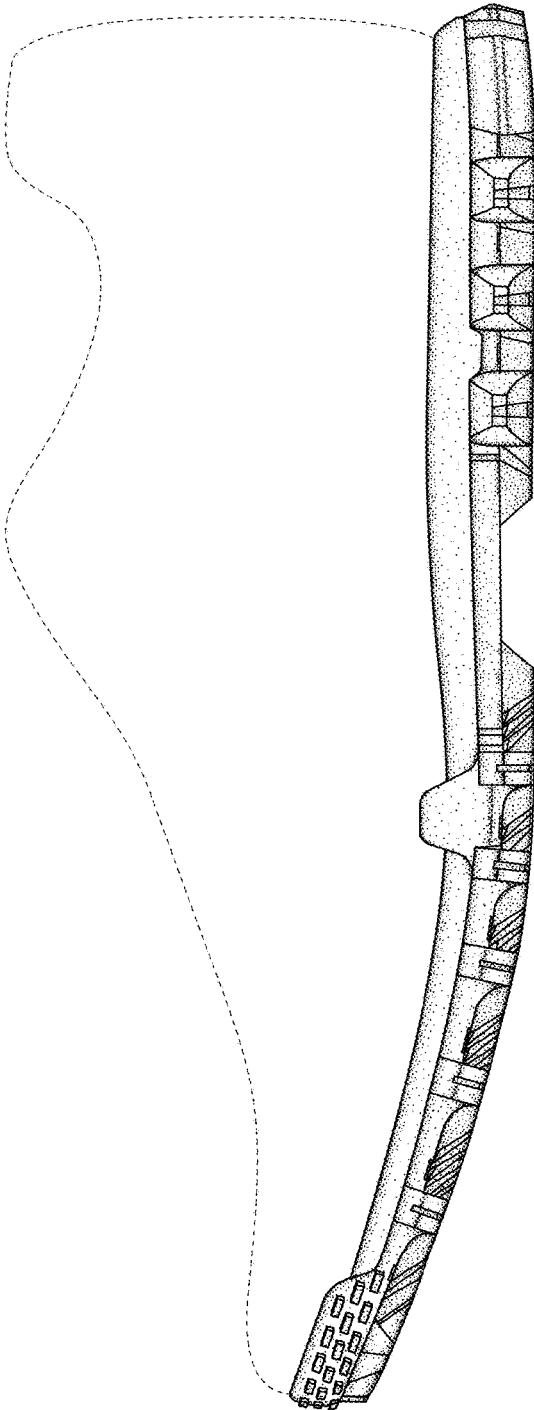


FIG. 10

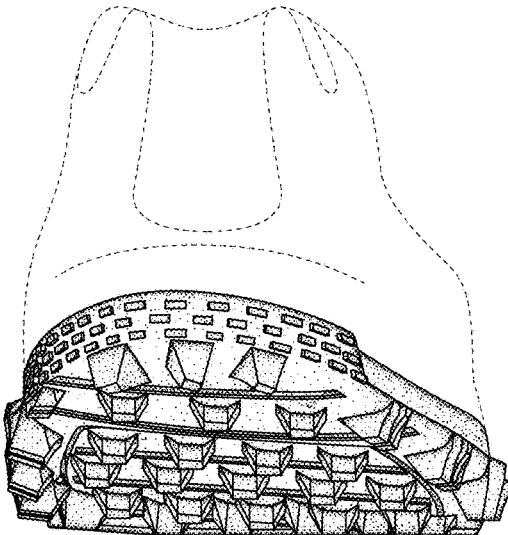


FIG. 11

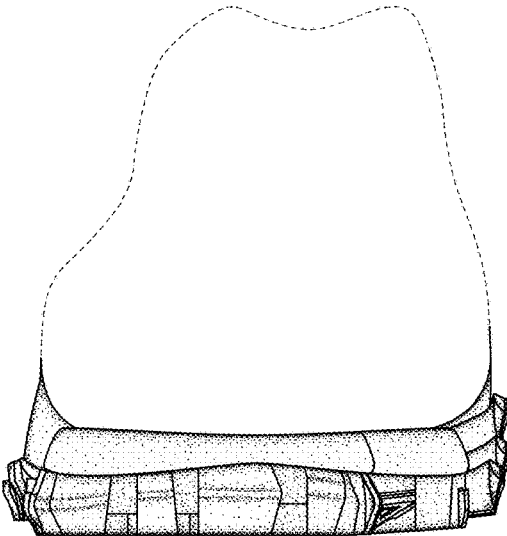


FIG. 12