



US0D1001916S

(12) **United States Design Patent**
Walter

(10) **Patent No.:** **US D1,001,916 S**

(45) **Date of Patent:** **** Oct. 17, 2023**

- (54) **WATER TOY**
- (71) Applicant: **Spyra GmbH**, Munich (DE)
- (72) Inventor: **Sebastian Walter**, Munich (DE)
- (73) Assignee: **Spyra GmbH**, Munich (DE)
- (**) Term: **15 Years**
- (21) Appl. No.: **35/513,462**

10,969,193 B2 * 4/2021 Walter F41B 9/0075
 D949,983 S * 4/2022 Walter D21/573
 D958,262 S * 7/2022 Chen D21/572
 11,473,871 B1 * 10/2022 Cai F41B 9/0037
 2009/0197506 A1 * 8/2009 Ma A63H 33/009
 446/473
 2022/0404118 A1 * 12/2022 Paul B05B 11/1059

(22) Filed: **Jan. 11, 2022**

(80) **Hague Agreement Data**

Int. Filing Date: **Jan. 11, 2022**
 Int. Reg. No.: **DM/218482**
 Int. Reg. Date: **Jan. 11, 2022**
 Int. Reg. Pub. Date: **Jan. 28, 2022**

(30) **Foreign Application Priority Data**

Oct. 19, 2021 (EM) 008730808-0001

(51) **LOC (14) Cl.** **21-01**

(52) **U.S. Cl.** **D21/572**

(58) **Field of Classification Search**

USPC D21/567, 570, 572, 573, 575; D22/100,
 D22/103, 108
 CPC F41B 7/00; F41B 7/003; F41B 7/08; F41B
 9/00; F41B 9/0078; F41B 9/0081; F41B
 11/89
 See application file for complete search history.

(56) **References Cited**

U.S. PATENT DOCUMENTS

5,373,832 A * 12/1994 D'Andrade F41B 11/68
 124/59
 D421,467 S * 3/2000 D'Andrade D21/572
 6,364,219 B1 * 4/2002 Zimmerman F41B 9/0012
 239/394
 D766,381 S * 9/2016 Crye D21/573

FOREIGN PATENT DOCUMENTS

CN 213760512 U * 7/2021
 CN 216898548 U * 7/2022

OTHER PUBLICATIONS

Spyra Water Gun I posted at Amazon.com, posted on Sep. 24, 2021,
 © 1996-2023 Amazon.com, [online], [site visited Aug. 12, 2023].
 Available from Internet, <URL: <https://www.amazon.com/dp/B09GYTD6R1/>> (Year: 2021).*

* cited by examiner

Primary Examiner — Andrew Kerr

(74) *Attorney, Agent, or Firm* — Lee & Hayes, P.C.

(57) **CLAIM**

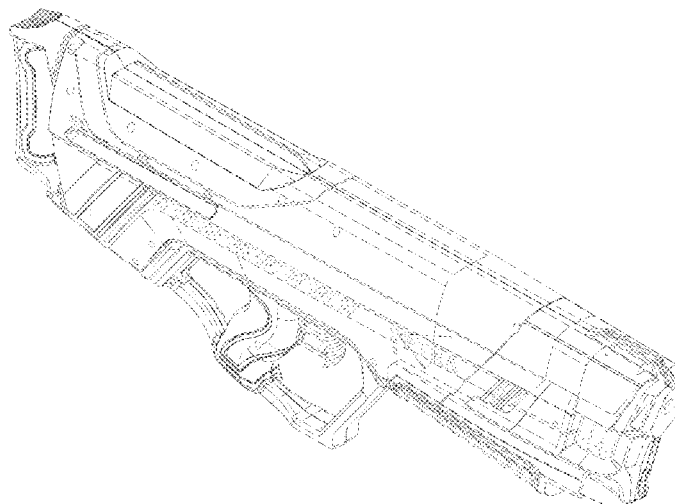
The ornamental design for a water toy, as shown and described.

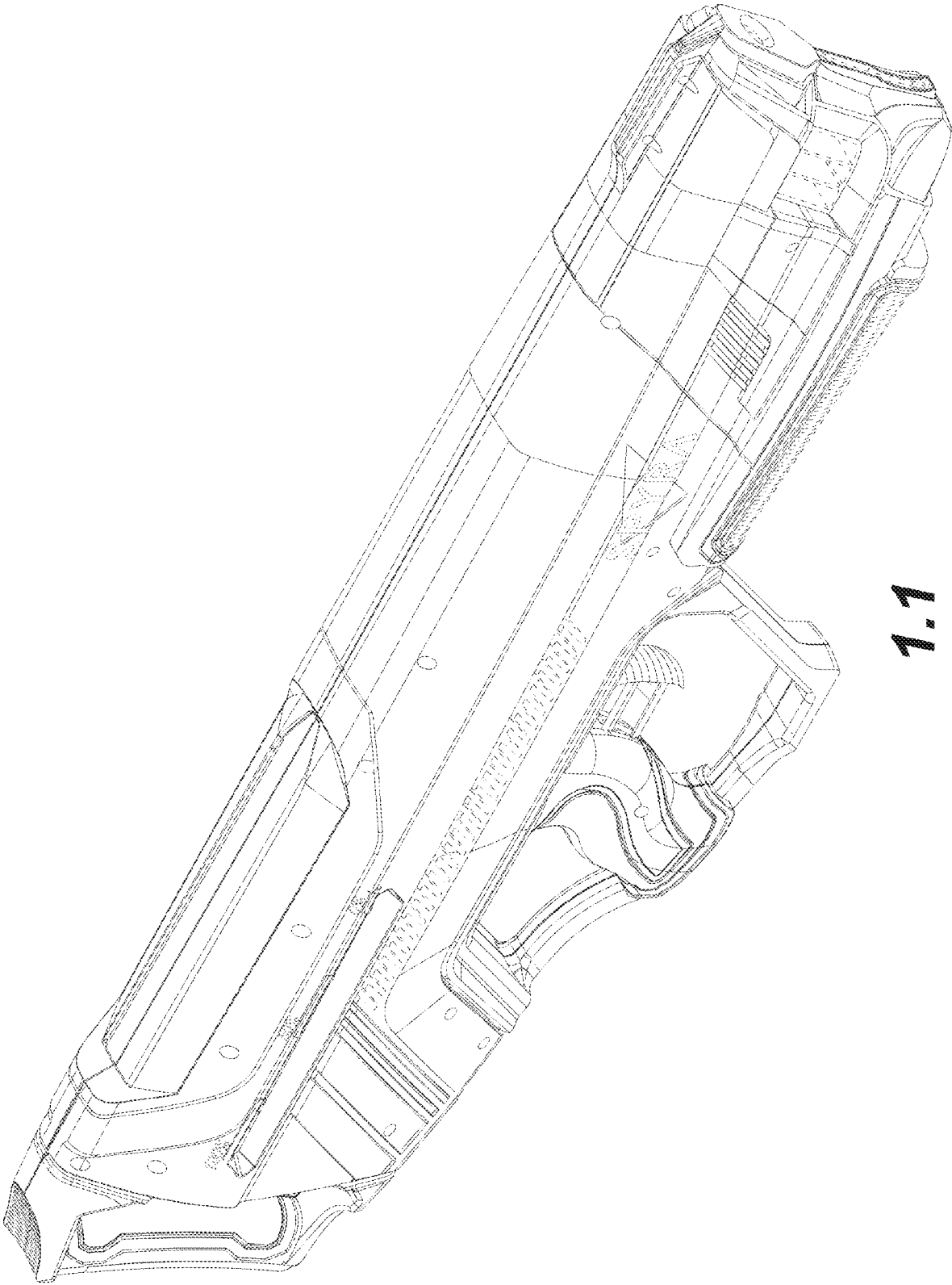
DESCRIPTION

- 1. Water Toy
- 1.1: Perspective
- 1.2: Back
- 1.3: Front
- 1.4: Left
- 1.5: Right
- 1.6: Top
- 1.7: Bottom

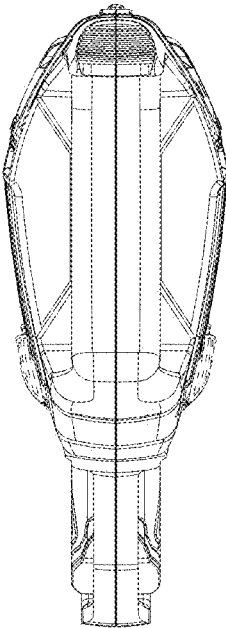
The broken lines in the figures illustrate portions of the water toy that form no part of the claimed design.

1 Claim, 7 Drawing Sheets

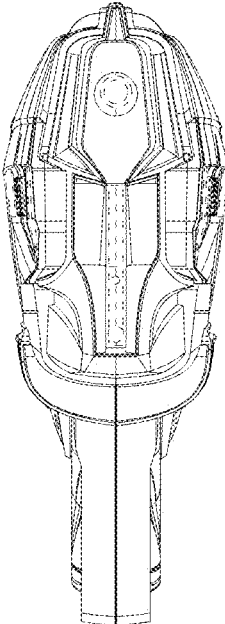




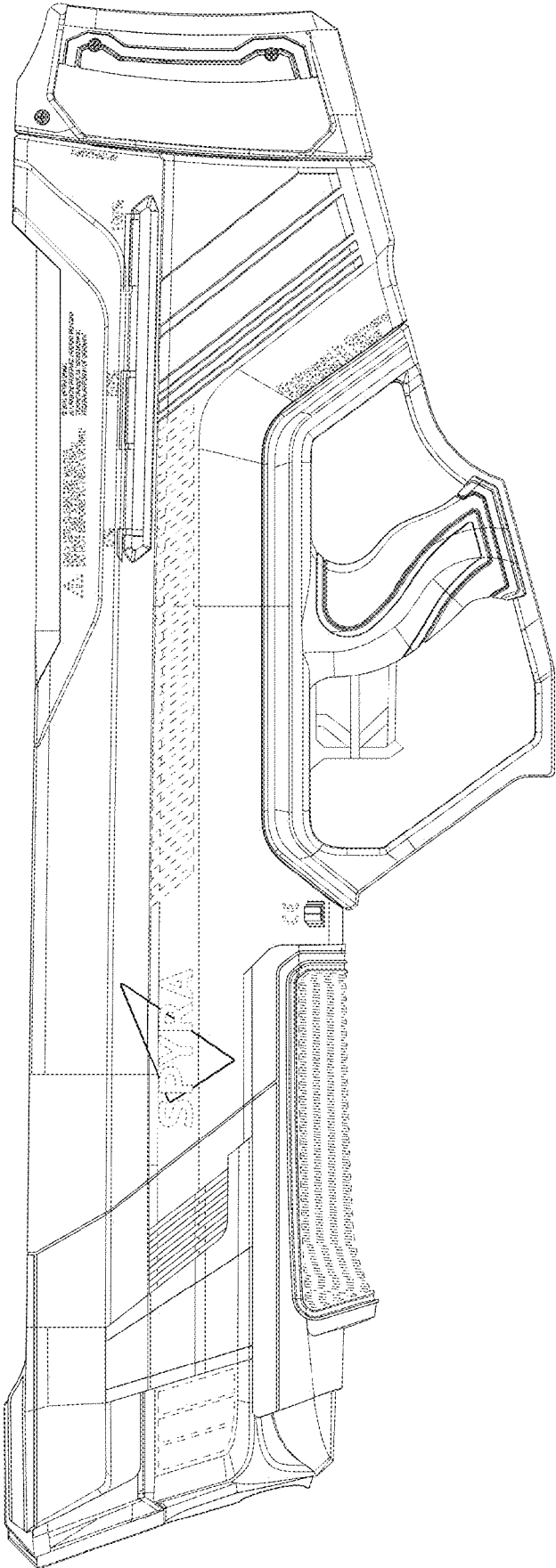
1.1



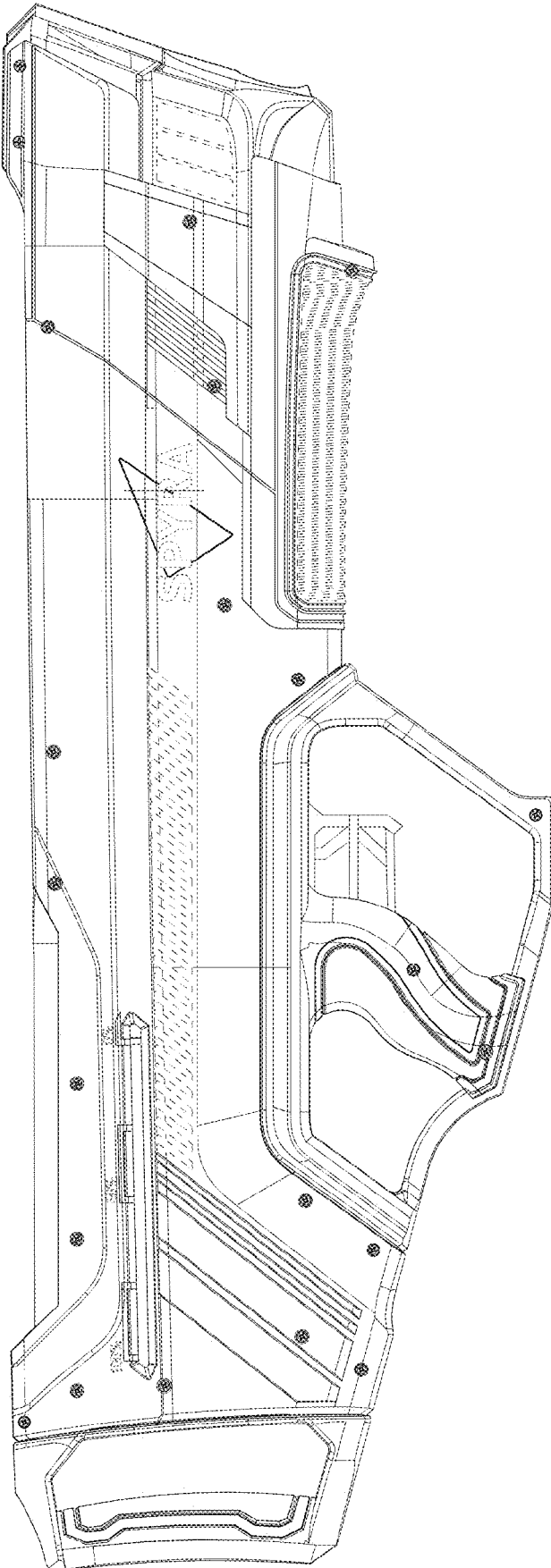
1.2



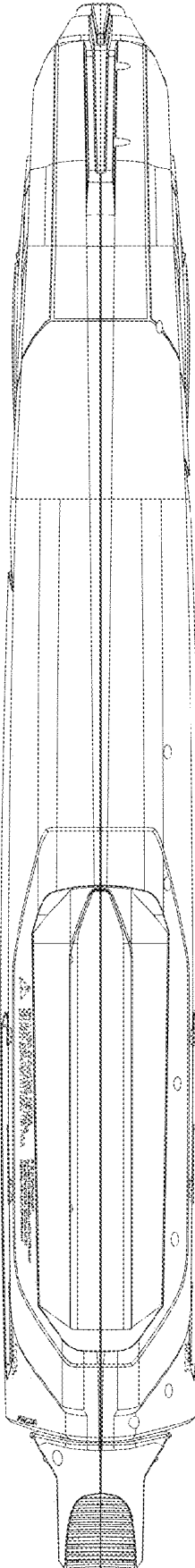
1.3



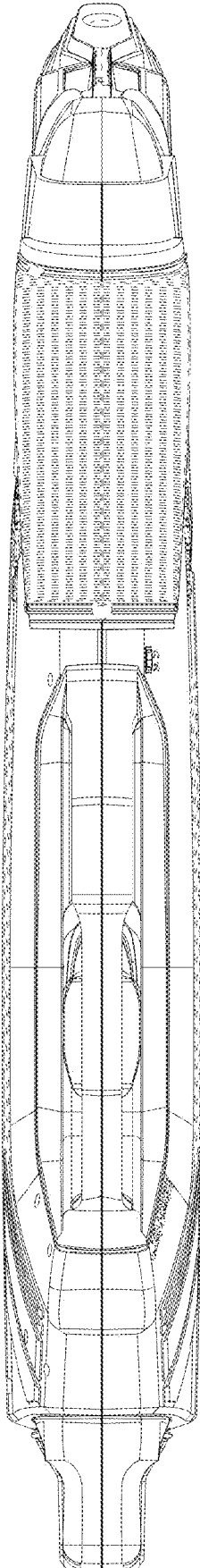
1.4



1.5



1.6



1.7