



US00D736175S

(12) **United States Design Patent**
Levine

(10) **Patent No.:** **US D736,175 S**

(45) **Date of Patent:** **** *Aug. 11, 2015**

- (54) **HEADPHONE DEVICE**
- (71) Applicant: **New Audio LLC**, New York, NY (US)
- (72) Inventor: **Jonathan E. Levine**, New York, NY (US)
- (73) Assignee: **New Audio LLC**, New York, NY (US)
- (*) Notice: This patent is subject to a terminal disclaimer.
- (**) Term: **14 Years**
- (21) Appl. No.: **29/481,796**
- (22) Filed: **Feb. 10, 2014**
- (51) **LOC (10) Cl.** **14-01**
- (52) **U.S. Cl.**
USPC **D14/205**
- (58) **Field of Classification Search**
USPC D14/205, 206; D29/112; 2/209;
181/129, 130, 135; 379/430, 431;
381/380, 381; 455/90.3, 575.1
CPC H04R 1/1066
See application file for complete search history.

| | | | | | |
|-----------|------|---------|---------------------|-------|-----------|
| 5,233,650 | A * | 8/1993 | Chan | | 379/430 |
| 5,293,647 | A * | 3/1994 | Mirmilshteyn et al. | | 2/209 |
| D410,466 | S * | 6/1999 | Mouri | | D14/205 |
| D431,550 | S * | 10/2000 | Yoneda | | D14/205 |
| D432,522 | S * | 10/2000 | Kieltyka et al. | | D14/216 |
| D484,485 | S * | 12/2003 | Matsuoka | | D14/205 |
| D508,483 | S * | 8/2005 | Suzuki | | D14/223 |
| D514,087 | S * | 1/2006 | Wilson et al. | | D14/206 |
| D517,527 | S * | 3/2006 | Suzuki | | D14/205 |
| D560,654 | S * | 1/2008 | Feng | | D14/205 |
| D567,215 | S * | 4/2008 | Lee | | D14/205 |
| 7,388,960 | B2 * | 6/2008 | Kuo et al. | | 381/186 |
| 7,457,649 | B1 * | 11/2008 | Wilson | | 455/575.2 |
| D620,474 | S * | 7/2010 | Komiyama | | D14/205 |
| D635,958 | S * | 4/2011 | Ando et al. | | D14/205 |

(Continued)

Primary Examiner — Paula Greene

(74) *Attorney, Agent, or Firm* — Perkins Coie LLP

(57) **CLAIM**

The ornamental design for a headphone device, as shown and described.

DESCRIPTION

FIG. 1 is a perspective view of an embodiment of a headphone device showing my new design, as viewed from the top and front.

FIG. 2 is a front profile view of the headphone device shown in FIG. 1.

FIG. 3 is a back profile view of the headphone device shown in FIG. 1.

FIG. 4 is a first side profile view of the headphone device shown in FIG. 1.

FIG. 5 is a second side profile view of the headphone device shown in FIG. 1.

FIG. 6 is a plan view of the headphone device shown in FIG. 1; and,

FIG. 7 is an inverse plan view of the headphone device shown in FIG. 1.

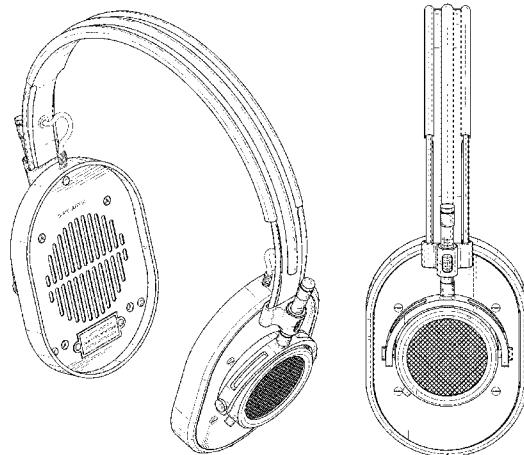
The details shown in broken lines illustrate features that form no part of the claimed design.

1 Claim, 5 Drawing Sheets

(56) **References Cited**

U.S. PATENT DOCUMENTS

| | | | | | |
|-----------|-----|---------|-----------------|-------|---------|
| 1,127,161 | A * | 2/1915 | Baldwin | | 381/379 |
| 1,483,315 | A * | 2/1924 | Saal | | 381/378 |
| 1,587,409 | A * | 6/1926 | Ouillette | | 381/379 |
| 1,649,551 | A * | 11/1927 | Smith | | 381/378 |
| 2,486,267 | A * | 10/1949 | Dulinsky | | 381/377 |
| D156,329 | S * | 12/1949 | Federico et al. | | D14/227 |
| 2,782,423 | A * | 2/1957 | Simon et al. | | 2/209 |
| 3,440,663 | A * | 4/1969 | Beguín | | 2/209 |
| 3,488,457 | A * | 1/1970 | Lahti | | 381/371 |
| 3,797,045 | A * | 3/1974 | Aho | | 2/209 |
| 3,922,725 | A * | 12/1975 | Csiki et al. | | 2/209 |
| 4,175,217 | A * | 11/1979 | Williams | | 379/430 |
| 4,472,607 | A * | 9/1984 | Houng | | 181/18 |
| 4,829,571 | A * | 5/1989 | Kakiuchi et al. | | 381/309 |



US D736,175 S

Page 2

(56)

References Cited

U.S. PATENT DOCUMENTS

| | | | |
|-------------------|--------|--------------------|---------|
| D708,162 S * | 7/2014 | Wenger et al. | D14/205 |
| D712,872 S * | 9/2014 | Yuen | D14/205 |
| 2005/0105755 A1 * | 5/2005 | Yueh | 381/371 |
| D663,895 S * | 7/2012 | Nixon | D28/8.1 |

* cited by examiner

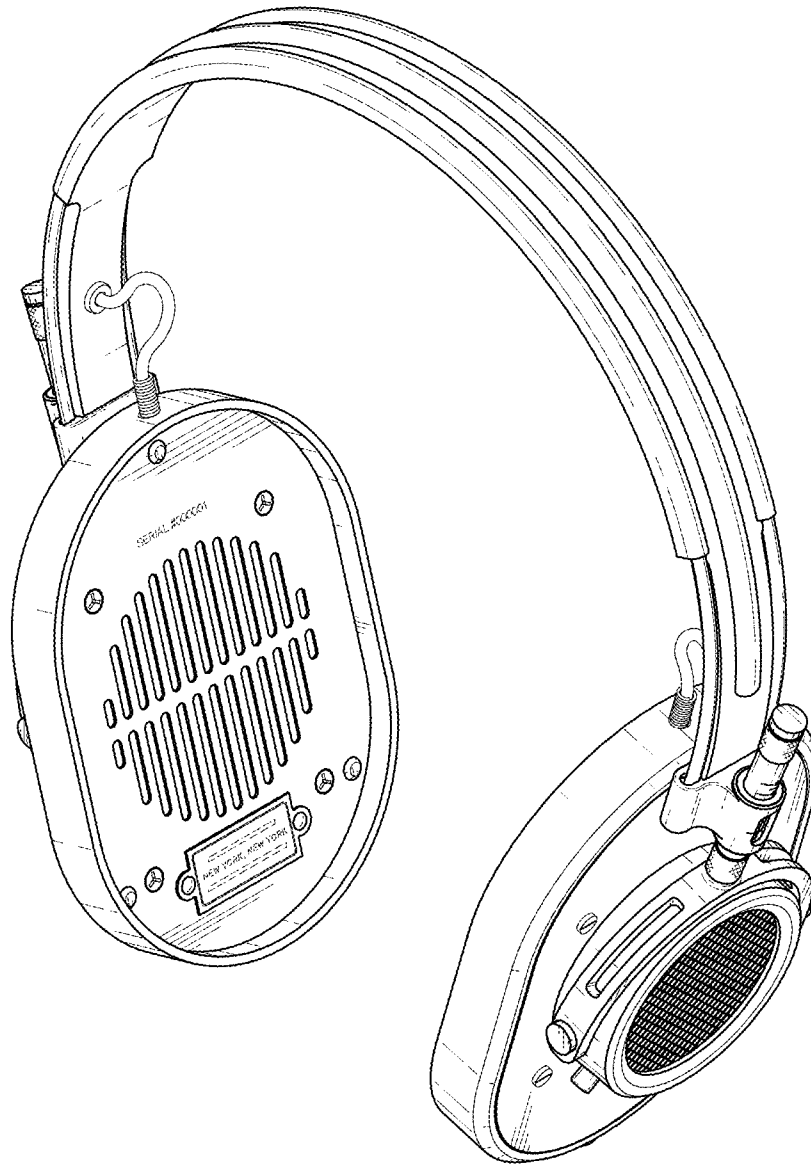


Fig. 1

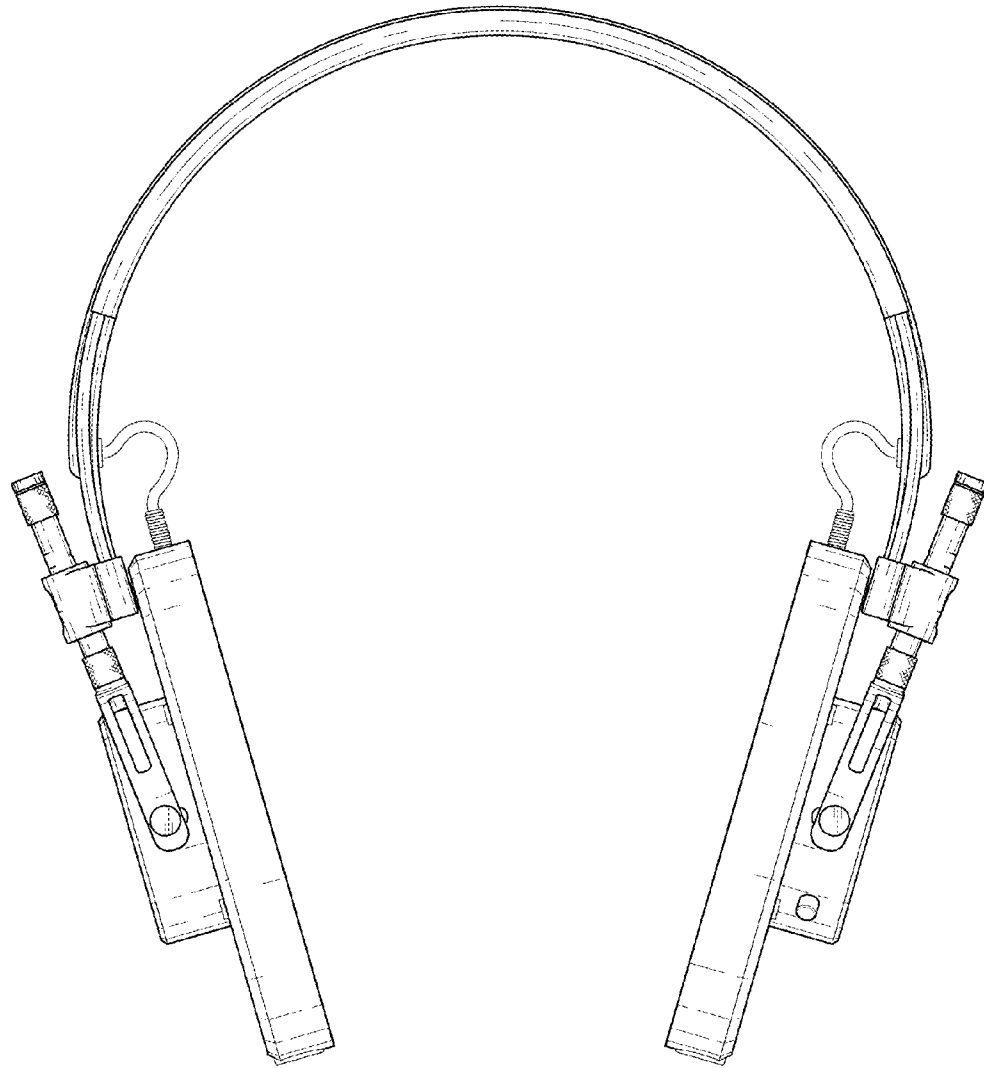


Fig. 2

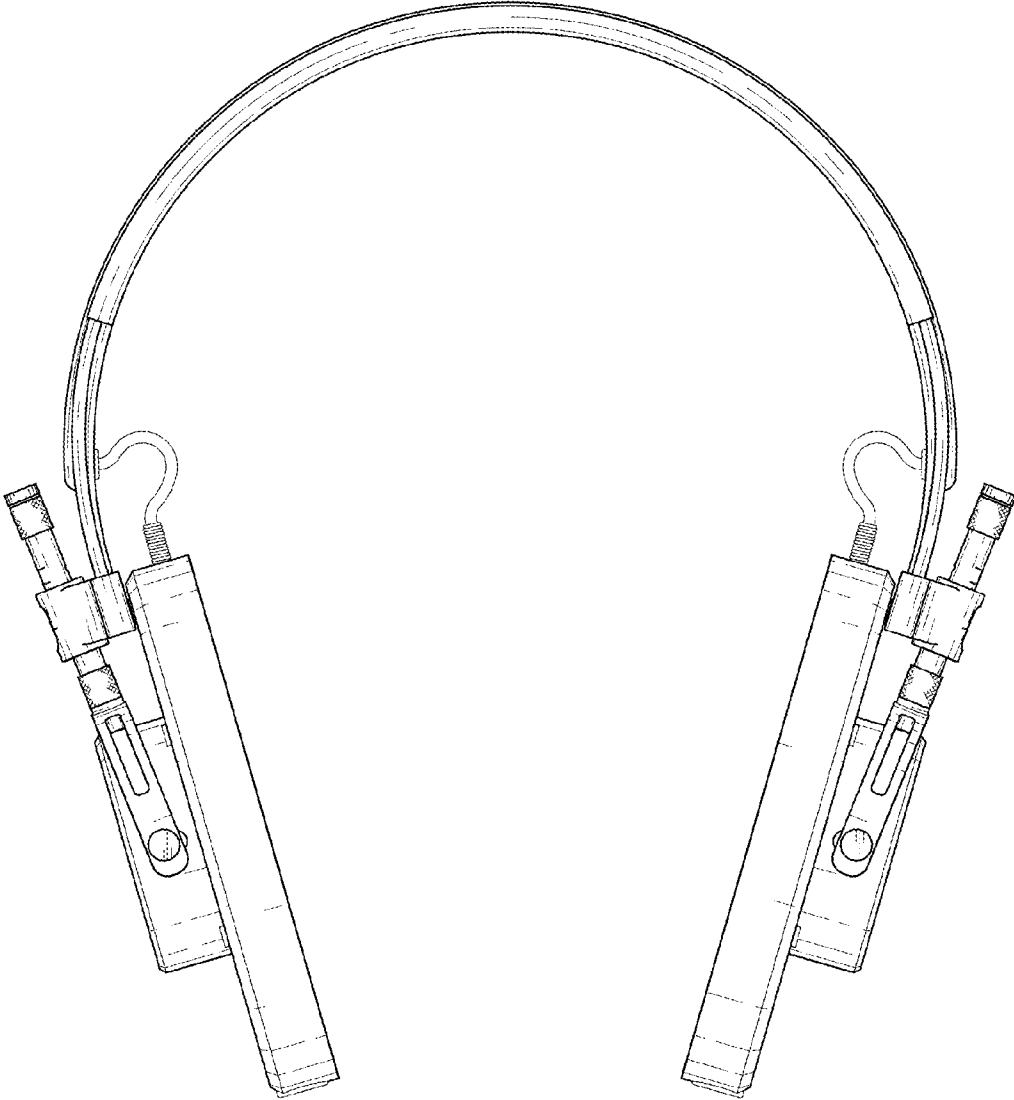


Fig. 3

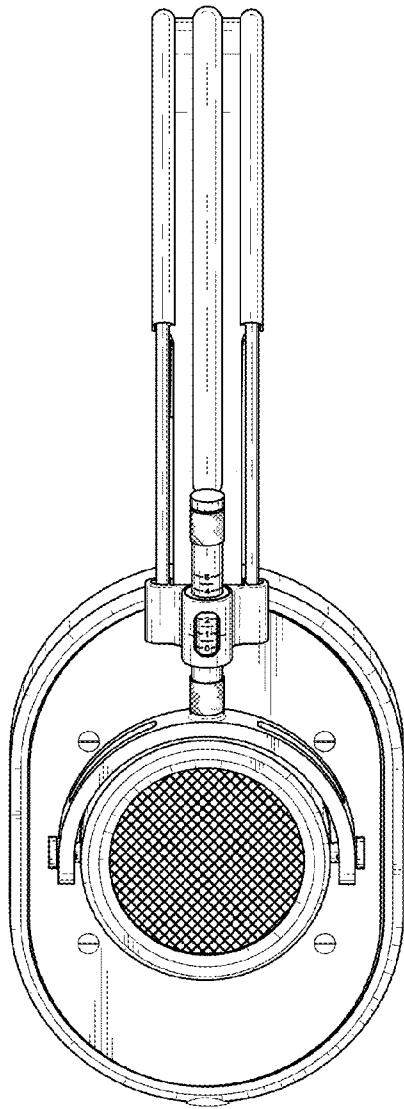


Fig. 4

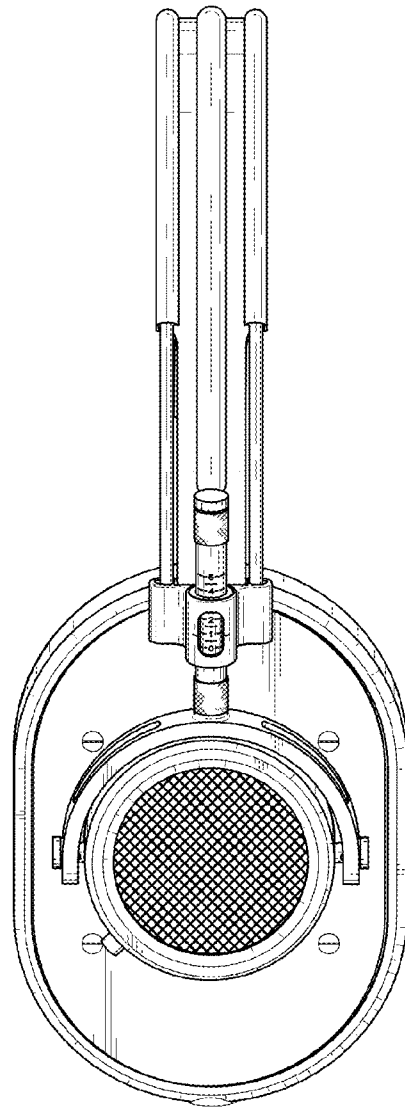


Fig. 5

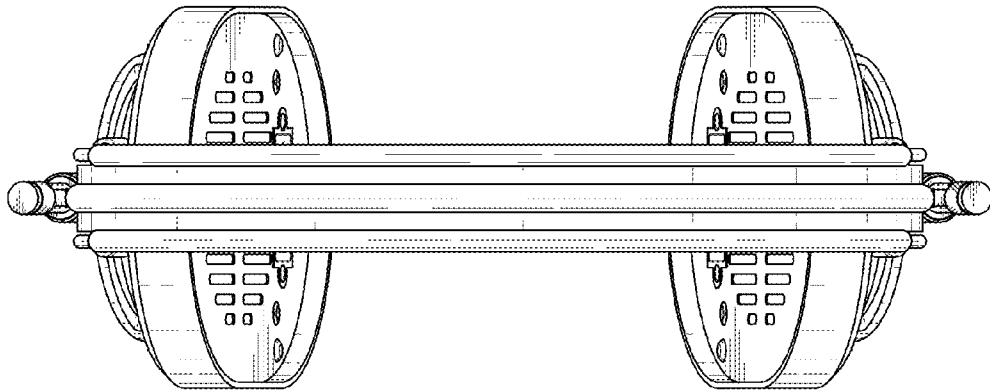


Fig. 6

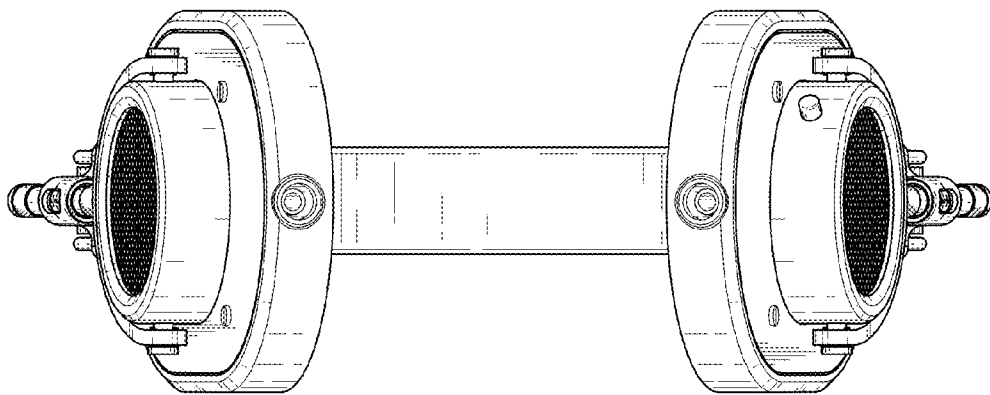


Fig. 7