



US00D667189S

(12) **United States Design Patent**
Berti et al.

(10) **Patent No.:** **US D667,189 S**

(45) **Date of Patent:** **** Sep. 11, 2012**

- (54) **MOP**
- (75) Inventors: **Enzo Berti**, Pianiga (IT); **Roberto Pellacini**, Torrechiara Langhirano (IT)
- (73) Assignee: **The Libman Company**, Arcola, IL (US)
- (**) Term: **14 Years**
- (21) Appl. No.: **29/383,187**
- (22) Filed: **Jan. 13, 2011**
- (51) **LOC (9) Cl.** **04-01**
- (52) **U.S. Cl.** **D32/50; D32/52**
- (58) **Field of Classification Search** D32/50-52,
D32/40, 44, 45; 473/301, 302; 15/143.1,
15/119.2, 120.1, 120.2, 116.1, 116.2, 150,
15/209.1-210.1; 401/137-140
See application file for complete search history.

6,625,838	B2 *	9/2003	Laux et al.	15/120.2
6,920,664	B2	7/2005	Libman et al.	
7,089,622	B2 *	8/2006	Sampaio	15/120.2
D588,319	S *	3/2009	Berti et al.	D32/51
7,520,018	B2	4/2009	Libman et al.	
D597,271	S *	7/2009	Lesley	D32/52
D622,018	S *	8/2010	Renner	D32/50
D642,761	S *	8/2011	Weaver et al.	D32/50
8,011,055	B2 *	9/2011	Lesley	15/119.1
2002/0133892	A1 *	9/2002	Monahan	15/119.1
2003/0084530	A1 *	5/2003	Specht	15/120.2
2004/0006836	A1 *	1/2004	Dingert	15/120.1
2004/0128783	A1 *	7/2004	Lesley et al.	15/120.1
2009/0165232	A1	7/2009	Libman	

* cited by examiner

Primary Examiner — John Windmuller

(74) *Attorney, Agent, or Firm* — Banner & Witcoff, Ltd.

(57) **CLAIM**

The ornamental design for a mop, as shown and described.

DESCRIPTION

FIG. 1 is a top, front, right perspective view of a mop showing our new design;

FIG. 2 is a front view thereof;

FIG. 3 is a right side view thereof;

FIG. 4 is a rear view thereof;

FIG. 5 is a left side view thereof;

FIG. 6 is a top view thereof; and,

FIG. 7 is a bottom view thereof.

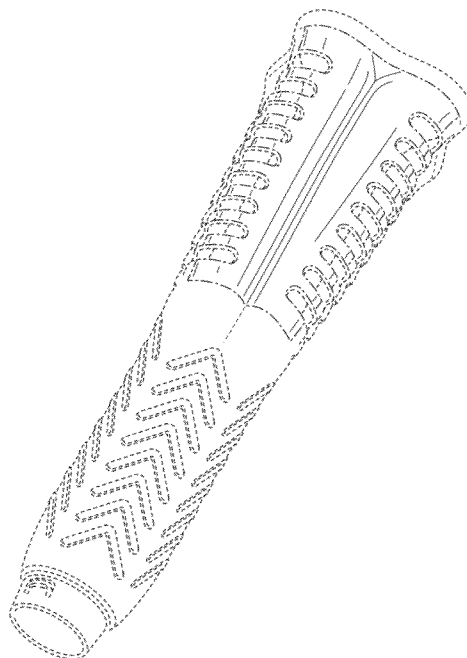
The uneven-length broken lines represent unclaimed boundaries of the claimed design. The even-length broken lines showing the remainder of the mop are for environmental purposes only and form no part of the claimed design.

1 Claim, 6 Drawing Sheets

(56) **References Cited**

U.S. PATENT DOCUMENTS

1,709,622	A *	4/1929	Justis	15/120.2
2,046,164	A *	6/1936	Herkner	473/302
2,521,445	A *	9/1950	Brown	15/119.1
5,060,338	A *	10/1991	Yates et al.	15/119.2
5,509,163	A *	4/1996	Morad	15/120.2
5,675,858	A *	10/1997	von Meyer	15/119.1
D387,526	S *	12/1997	Berti et al.	D32/51
5,819,356	A *	10/1998	Cann	15/120.1
5,890,253	A *	4/1999	Morad	15/120.1
D411,780	S *	7/1999	Muller	D7/393
6,085,378	A *	7/2000	Petner	15/119.1
6,108,848	A *	8/2000	Monahan	15/119.1
6,240,589	B1 *	6/2001	Specht	15/120.2
D474,869	S	5/2003	Libman	



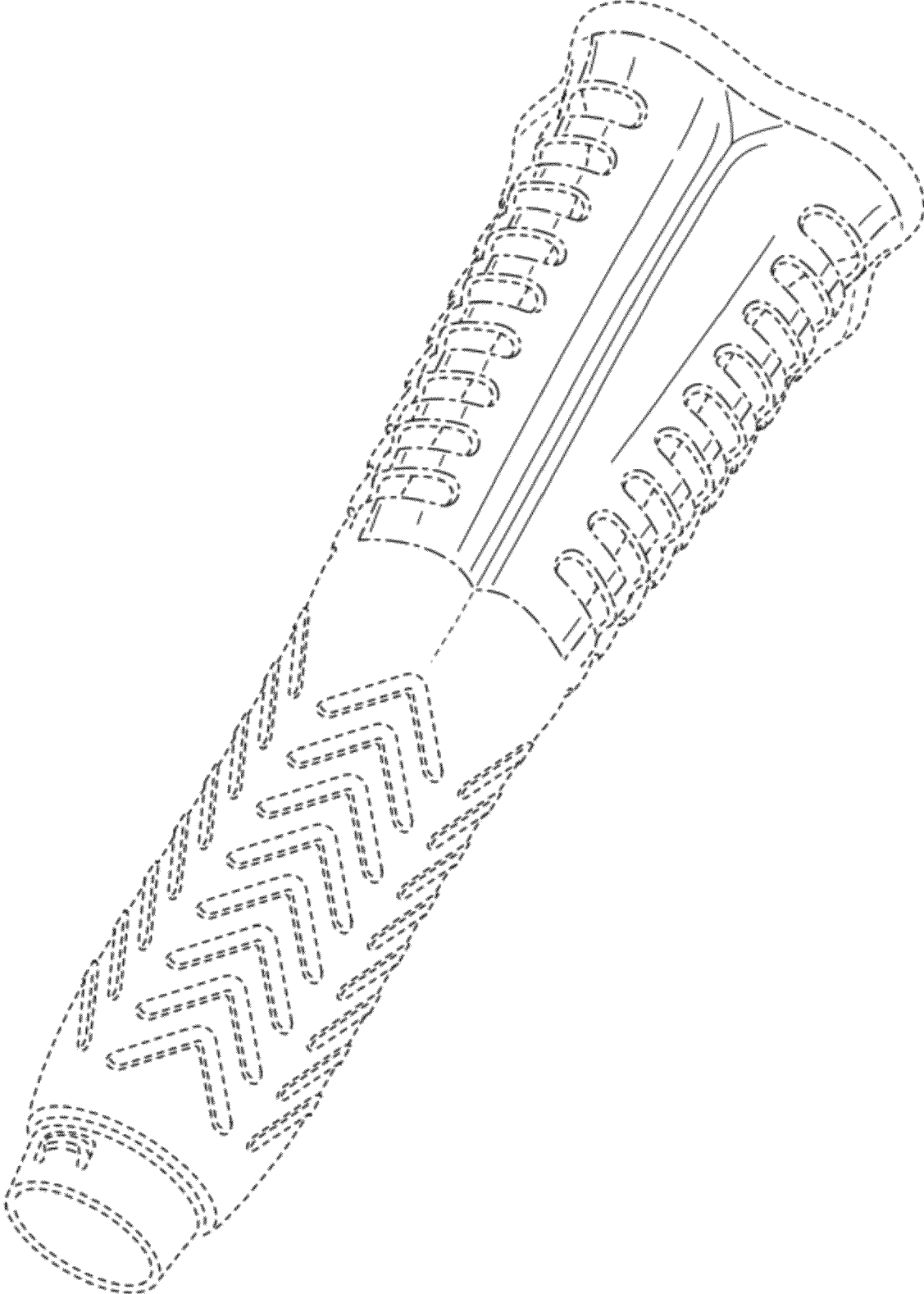


FIG. 1

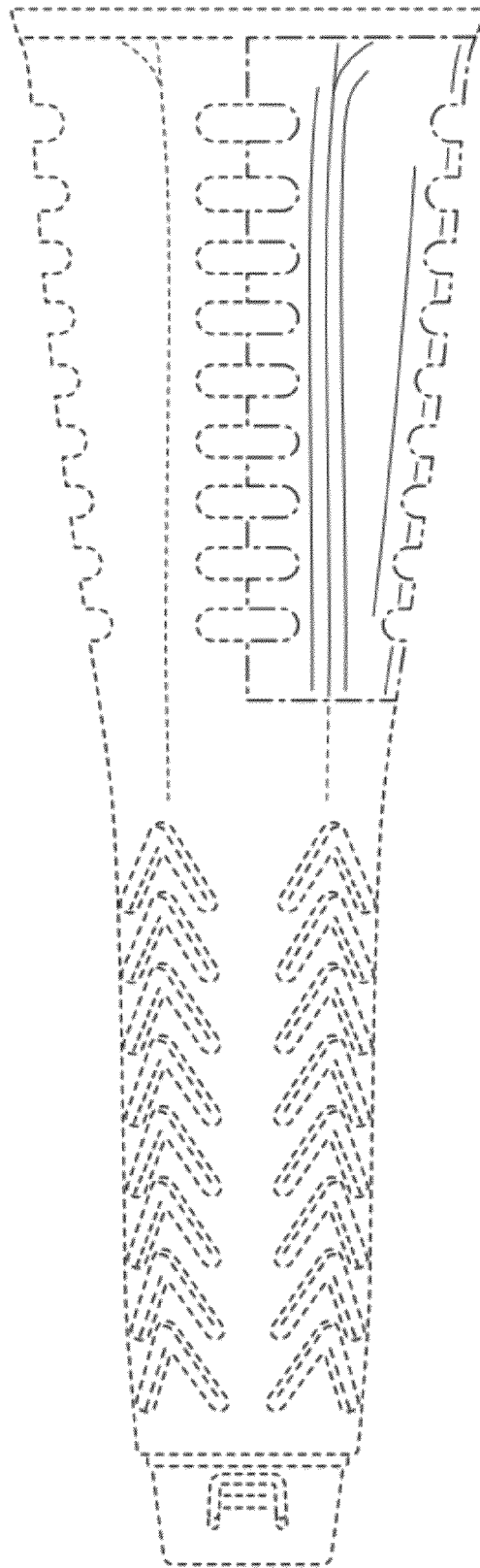


FIG. 2

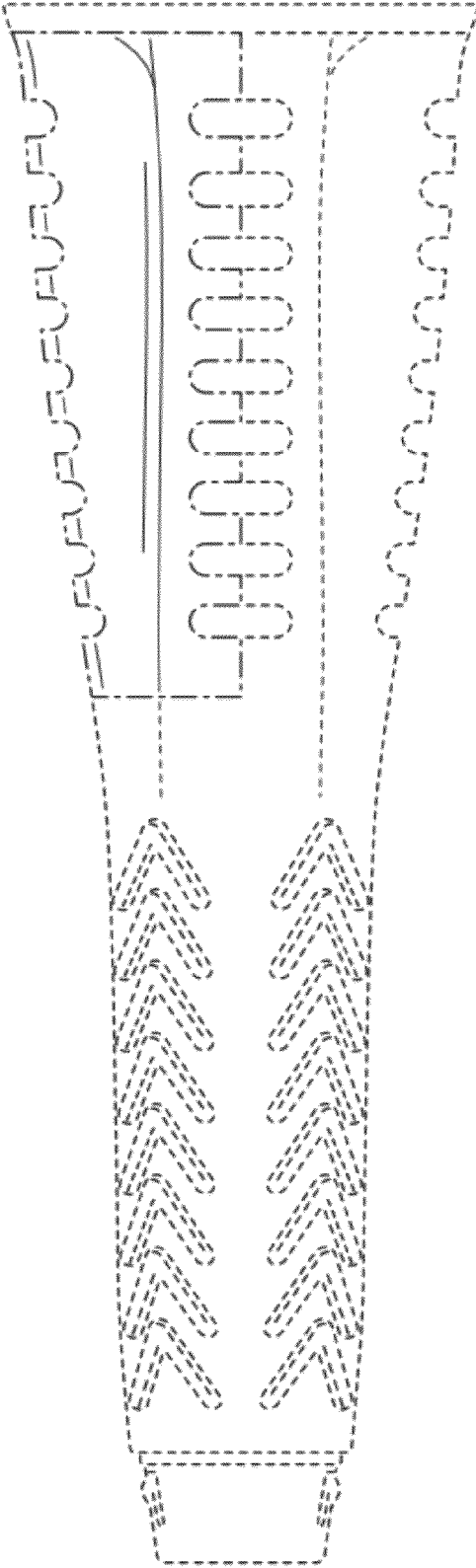


FIG. 3

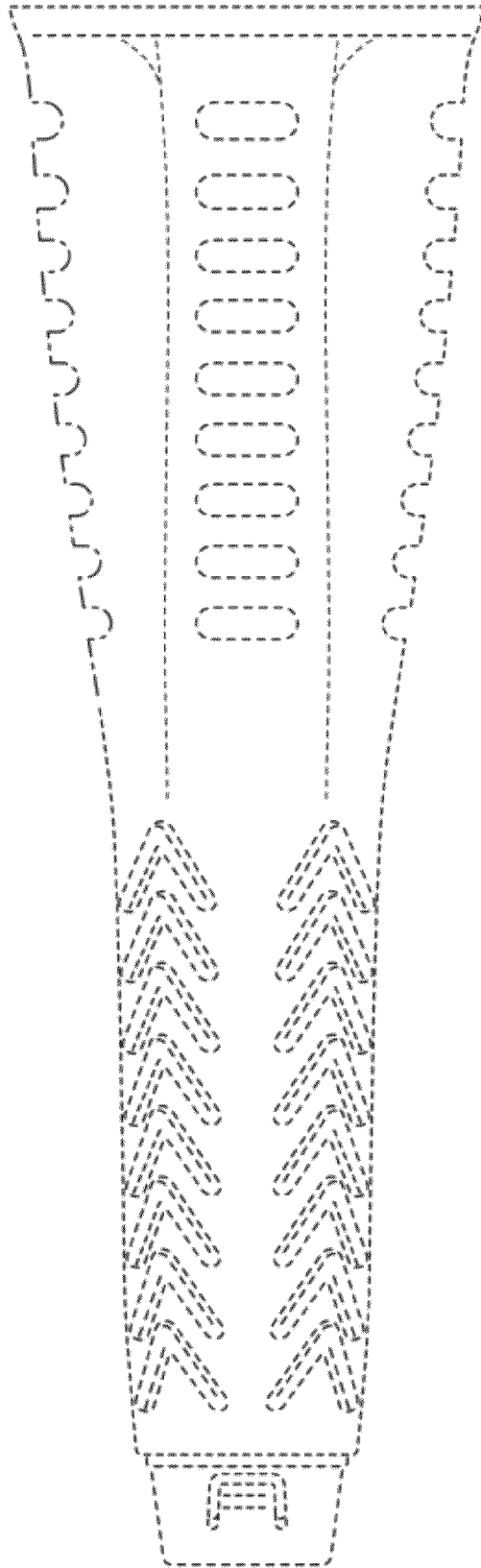


FIG. 4

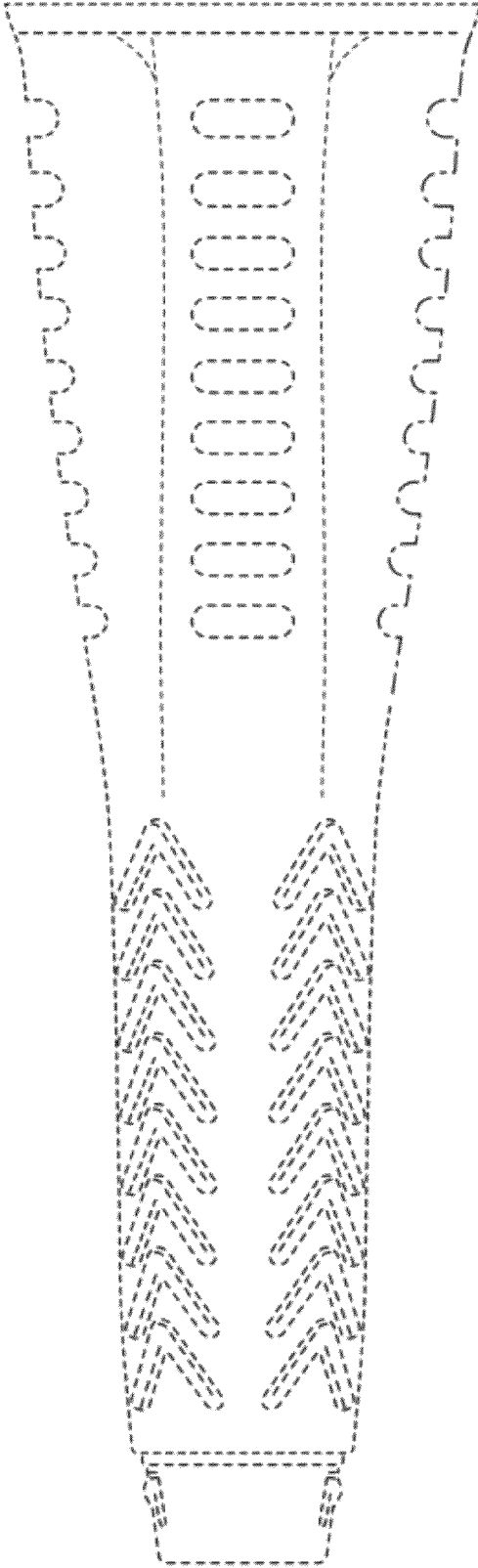


FIG. 5

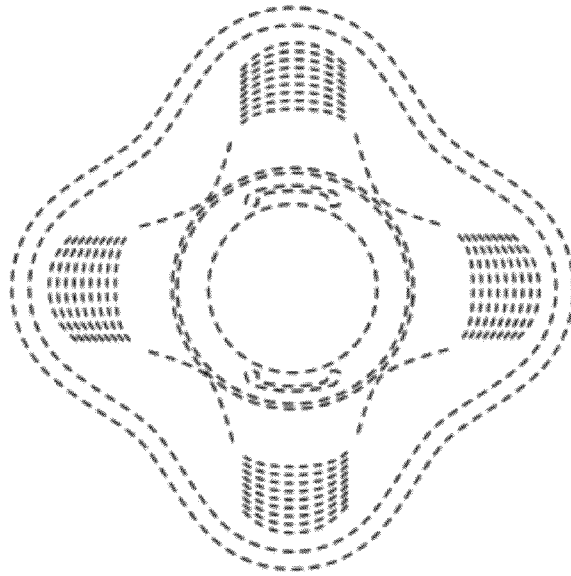


FIG. 6

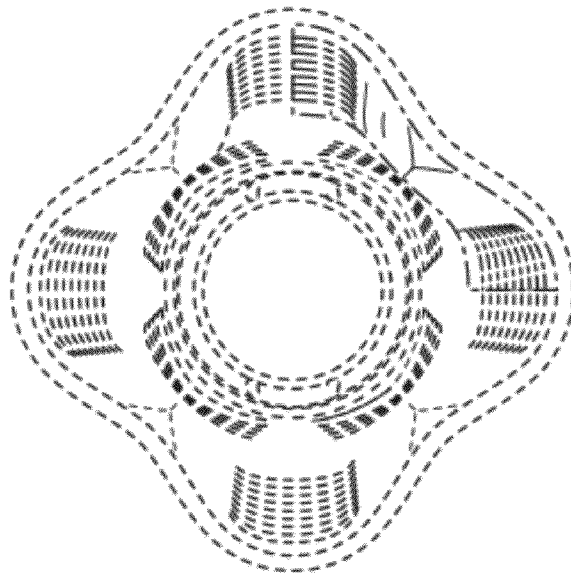


FIG. 7