



(12) **United States Design Patent**
Paik et al.

(10) **Patent No.:** **US D880,351 S**
(45) **Date of Patent:** **** Apr. 7, 2020**

(54) **BUCKLE FOR BAGS**

A41F 9/007; A41F 15/002; B60R 22/30;
B60R 22/32; B60R 22/002; B60R
2022/1806;

(71) Applicant: **WOJIN PLASTIC CO., LTD.**,
Guri-si, Gyeonggi-do (KR)

(Continued)

(72) Inventors: **Jisook Paik**, Seoul (KR); **Nan Hee Paik**, Seoul (KR); **Ji Hye Paik**, Seoul (KR); **Ji Won Son**, Seoul (KR)

(56) **References Cited**

U.S. PATENT DOCUMENTS

4,831,694 A * 5/1989 Kong A44B 11/266
24/606
D303,233 S * 9/1989 Jang D11/216
D340,886 S * 11/1993 Anscher D11/200

(Continued)

(**) Term: **15 Years**

(21) Appl. No.: **29/656,910**

OTHER PUBLICATIONS

(22) Filed: **Jul. 17, 2018**

Wojin Plastic—Nemo, no date available, [online], [site visited Jan. 14, 2020]. Retrieved from url:http://www.wojinplastic.com/kr/product/view.php?id=130&part1_idx=16&part_idx=19 (Year: 2020).*

(30) **Foreign Application Priority Data**

Jan. 18, 2018 (KR) 30-2018-0002967

Primary Examiner — Michelle E. Wilson

(51) **LOC (12) Cl.** **02-07**

Assistant Examiner — Tracey J Bell

(52) **U.S. Cl.**

(74) *Attorney, Agent, or Firm* — Novick, Kim & Lee, PLLC; Jae Youn Kim

USPC **D11/216**

(58) **Field of Classification Search**

(57) **CLAIM**

USPC D2/624–640, 853, 976; D3/24, 213, 215,
D3/216, 230, 222; D8/14, 16, 19, 331,
D8/343, 349, 356, 358, 359, 360, 363,
D8/366, 371, 382, 394, 395; D10/32;
D11/1–3, 87, 93, 200, 201, 206–210,
D11/212–219, 220, 230–237;
D29/100–101.5, 122, 129; D30/139, 152,
D30/153

The ornamental design for a buckle for bags, as shown and described.

CPC A44B 11/00; A44B 11/02; A44B 11/04;
A44B 11/05; A44B 11/06; A44B 11/10;
A44B 11/14; A44B 11/18; A44B 11/22;
A44B 11/26; A44B 11/125; A44B 11/233;
A44B 11/001; A44B 11/005; A44B
11/006; A44B 11/2503; A44B 11/2507;
A44B 11/2526; A44B 11/2553; A44B
11/2592; A44B 11/2519; A44B 11/2452;
A44B 13/00; A41F 1/008; A41F 9/002;

DESCRIPTION

FIG. 1 is a perspective view of a buckle for bags showing our new design;
FIG. 2 is a front view thereof;
FIG. 3 is a rear view thereof;
FIG. 4 is an enlarged left-side view thereof;
FIG. 5 is an enlarged right-side view thereof;
FIG. 6 is a top view thereof;
FIG. 7 is a bottom view thereof;
FIG. 8 is a cross-sectional view taken along line A-A in FIG. 2; and,

(Continued)

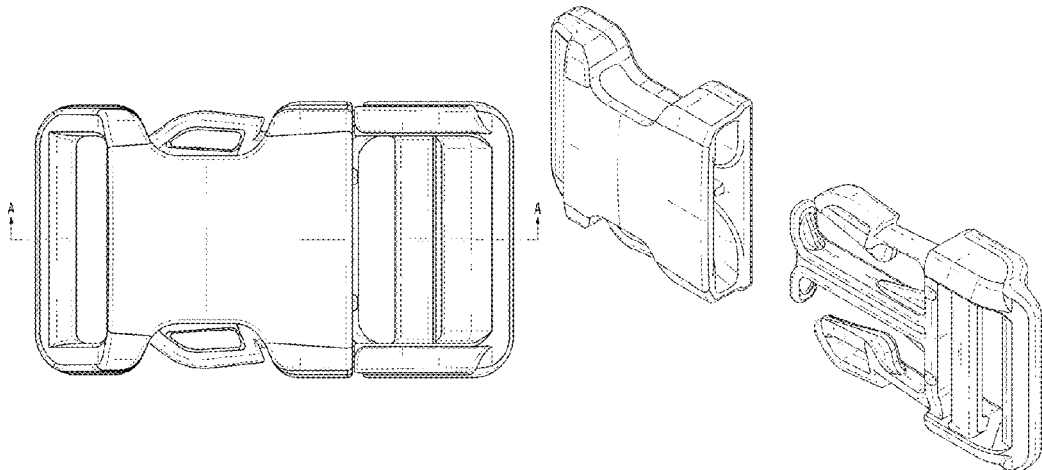


FIG. 9 is an exploded perspective view of the buckle for bags.

1 Claim, 9 Drawing Sheets

(58) **Field of Classification Search**

CPC B60R 2022/1812; B60R 2022/281; B65D
63/16; A62B 35/00

See application file for complete search history.

(56) **References Cited**

U.S. PATENT DOCUMENTS

D364,125	S *	11/1995	Anscher	D11/216
D381,936	S *	8/1997	Anscher	D11/216
D386,124	S *	11/1997	Anscher	D11/216
D386,125	S *	11/1997	Anscher	D11/200
D397,641	S *	9/1998	Hamilton	D11/216
D402,919	S *	12/1998	Anscher	D11/218
D519,409	S *	4/2006	Sporn	D11/216
D521,411	S *	5/2006	Moeller	D11/216
D618,590	S *	6/2010	Paik	D11/216
2010/0107370	A1 *	5/2010	Paik	A44B 11/266 24/190
2010/0115736	A1 *	5/2010	Paik	A44B 11/005 24/163 R
2013/0232743	A1 *	9/2013	Takazakura	A44B 11/266 24/625
2016/0021988	A1 *	1/2016	Kaneko	A44B 11/266 24/615

* cited by examiner

Fig. 1

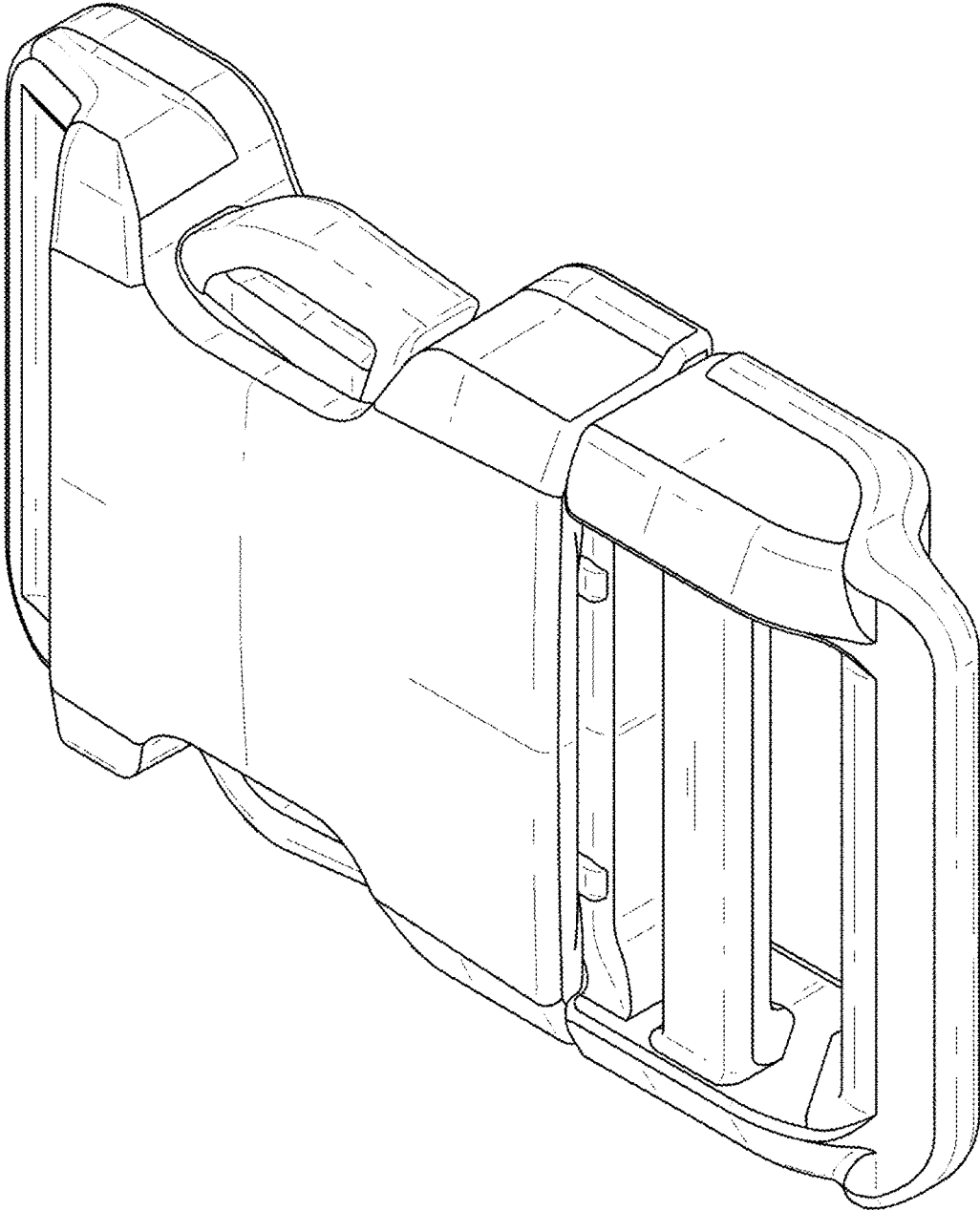


Fig. 2

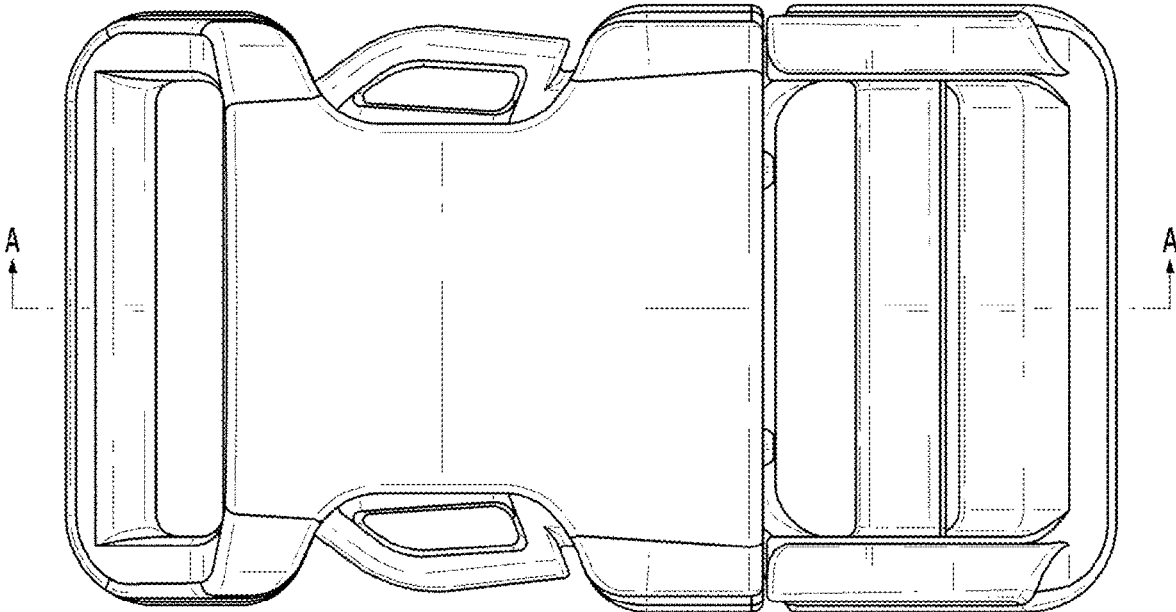


Fig. 3

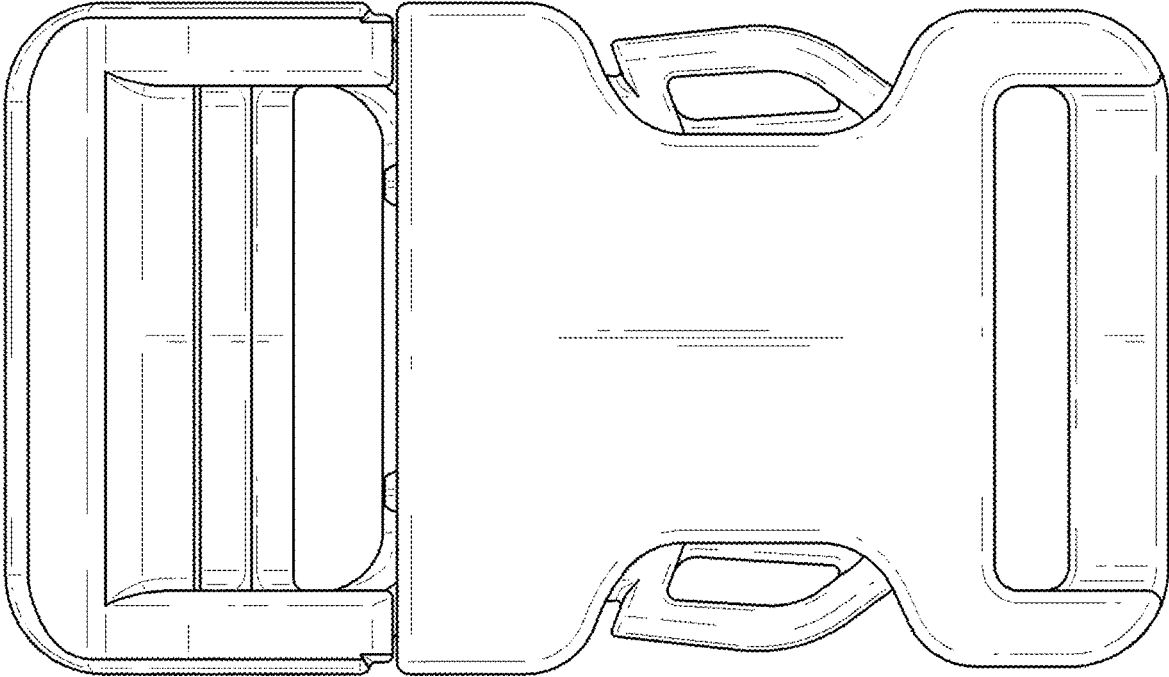


Fig. 4

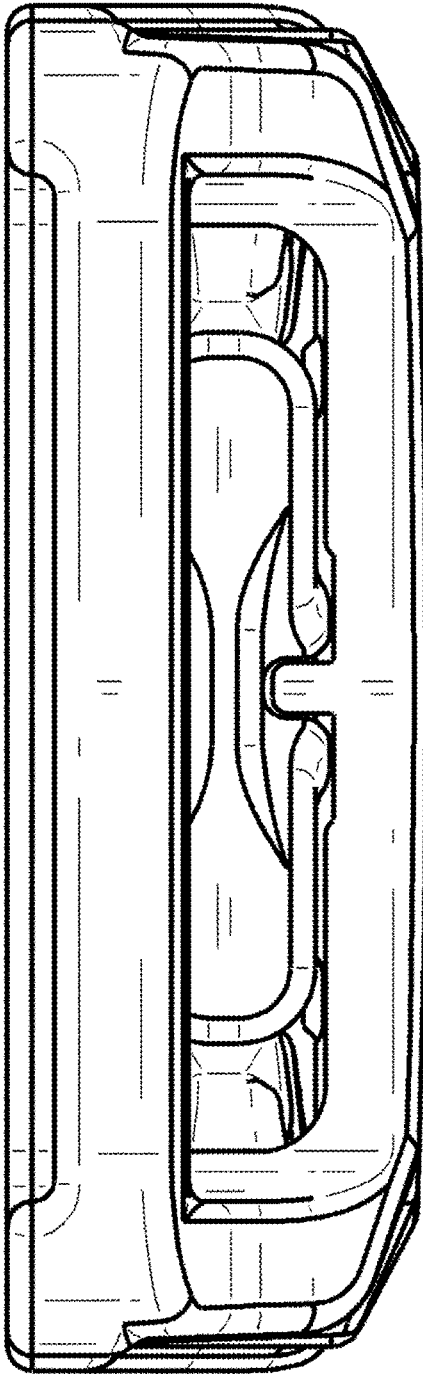


Fig. 5

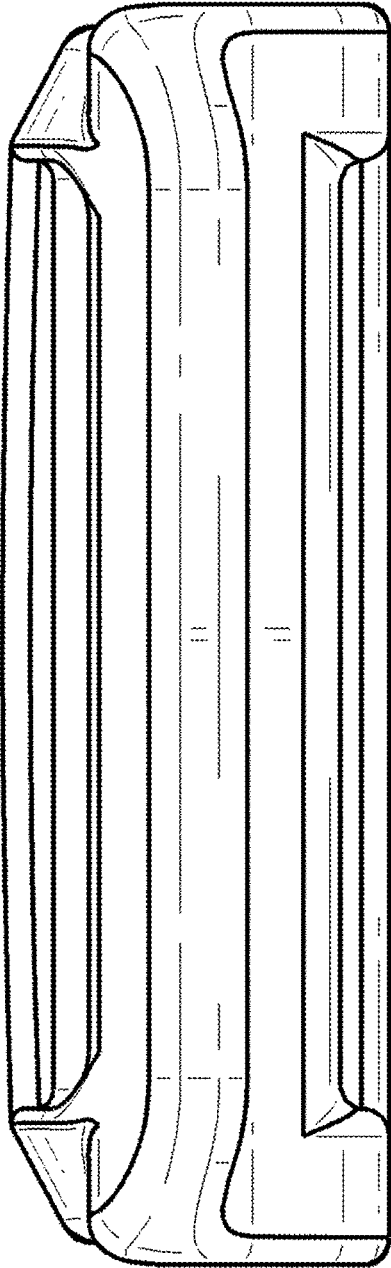


Fig. 6

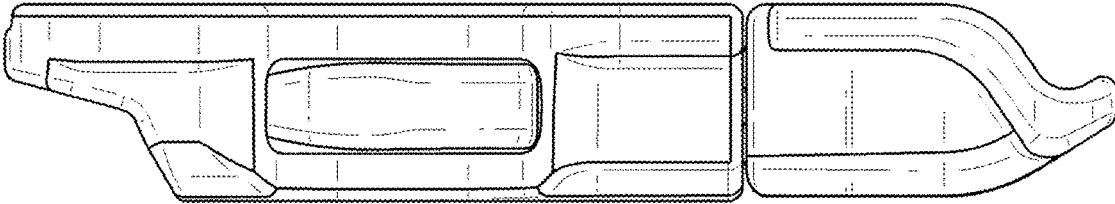


Fig. 7

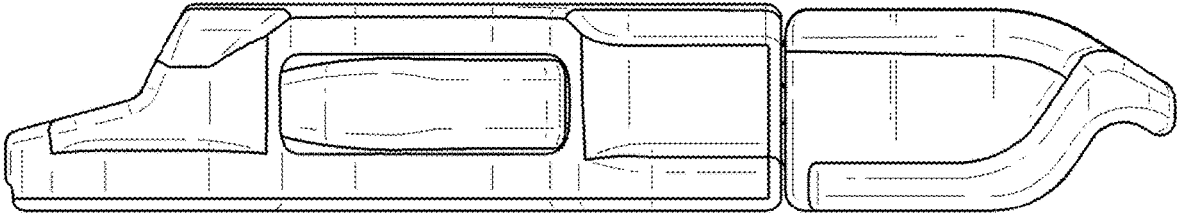


Fig. 8

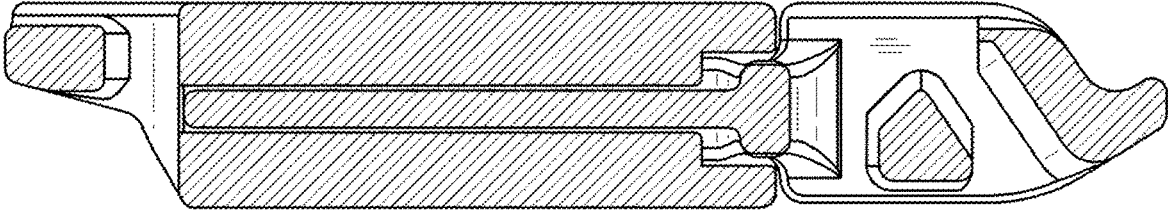


Fig. 9

