

(19) World Intellectual Property
Organization
International Bureau



(43) International Publication Date
8 December 2005 (08.12.2005)

PCT

(10) International Publication Number
WO 2005/115508 A1

(51) International Patent Classification⁷: **A61M 5/20, 5/32**

(21) International Application Number:
PCT/GB2005/002116

(22) International Filing Date: 27 May 2005 (27.05.2005)

(25) Filing Language: English

(26) Publication Language: English

(30) Priority Data:
0412051.5 28 May 2004 (28.05.2004) GB

(71) Applicant (for all designated States except US): **CILAG AG INTERNATIONAL** [CH/CH]; Landis & Gyrstrasse 1, CH-6300 Zug (CH).

(72) Inventors; and

(75) Inventors/Applicants (for US only): **HABESHAW, Rosie** [GB/GB]; PA Consulting Group, Cambridge Technology Centre, Melbourn, Hertfordshire SG8 6DP (GB).

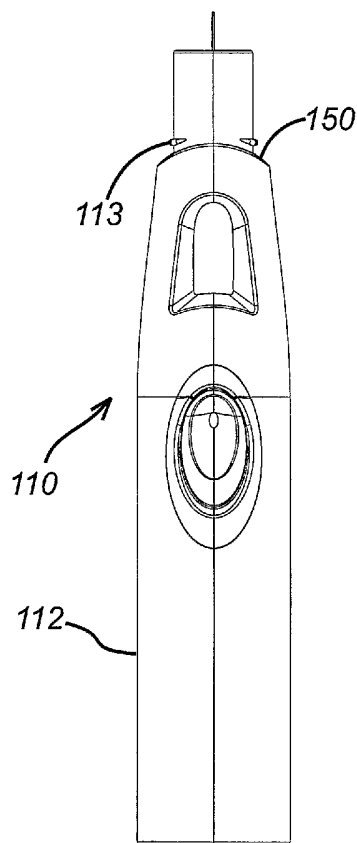
BARROW-WILLIAMS, Tim [GB/GB]; PA Consulting Group, Cambridge Technology Centre, Melbourn, Hertfordshire SG8 6DP (GB). **BRADY, Matthew** [GB/GB]; PA Consulting Group, Cambridge Technology Centre, Melbourn, Hertfordshire SG8 6DP (GB). **HARRISON, Nigel** [GB/GB]; PA Consulting Group, Cambridge Technology Centre, Melbourn, Hertfordshire SG8 6DP (GB).

(74) Agents: **TUNSTALL, Christopher, Stephen** et al.; Carpmaels & Ransford, 43-45 Bloomsbury Square, London WC1A 2RA (GB).

(81) Designated States (unless otherwise indicated, for every kind of national protection available): AE, AG, AL, AM, AT, AU, AZ, BA, BB, BG, BR, BW, BY, BZ, CA, CH, CN, CO, CR, CU, CZ, DE, DK, DM, DZ, EC, EE, EG, ES, FI, GB, GD, GE, GH, GM, HR, HU, ID, IL, IN, IS, JP, KE, KG, KM, KP, KR, KZ, LC, LK, LR, LS, LT, LU, LV, MA, MD, MG, MK, MN, MW, MX, MZ, NA, NG, NI, NO, NZ, OM, PG, PH, PL, PT, RO, RU, SC, SD, SE, SG, SK, SL,

[Continued on next page]

(54) Title: INJECTION DEVICE



(57) Abstract: An injection device (110) is described having a housing (112) and a housing closure means (130). The injection device (110) houses a syringe (114) having a needle (118) which is sealed by a boot (120). The housing closure means (130) is arranged so that the boot can be connected to the housing closure means simply, but cannot be removed from the housing closure means. The housing and housing closure means are arranged so that upon rotation of the housing closure means, the housing closure means is moved axially away from the housing and the boot and the boot is removed from the syringe. The injection device is simple to use and manufacture.

WO 2005/115508 A1



SM, SY, TJ, TM, TN, TR, TT, TZ, UA, UG, US, UZ, VC,
VN, YU, ZA, ZM, ZW.

SE, SI, SK, TR), OAPI (BF, BJ, CF, CG, CI, CM, GA, GN,
GQ, GW, ML, MR, NE, SN, TD, TG).

(84) Designated States (*unless otherwise indicated, for every kind of regional protection available*): ARIPO (BW, GH, GM, KE, LS, MW, MZ, NA, SD, SL, SZ, TZ, UG, ZM, ZW), Eurasian (AM, AZ, BY, KG, KZ, MD, RU, TJ, TM), European (AT, BE, BG, CH, CY, CZ, DE, DK, EE, ES, FI, FR, GB, GR, HU, IE, IS, IT, LT, LU, MC, NL, PL, PT, RO,

Published:

— *with international search report*

For two-letter codes and other abbreviations, refer to the "Guidance Notes on Codes and Abbreviations" appearing at the beginning of each regular issue of the PCT Gazette.

INJECTION DEVICE

BACKGROUND TECHNOLOGY

The present invention relates to an injection device of the type that receives a syringe, extends it, discharges its contents and then retracts it automatically. Devices of this general description are shown in WO 95/35126 and EP-A-0 516 473 and tend to employ a drive spring and some form of release mechanism that releases the syringe from the influence of the drive spring once its contents are supposed to have been discharged, to allow it to be retracted by a return spring.

Often, such injection devices are required to work with sealed hypodermic syringes which typically have a hermetically sealed cover or "boot" that covers the hypodermic needle and maintains the sterility of the syringe contents. Naturally, it is necessary to maintain the sterility of the syringe contents up to the point of administration, which means that for devices that are designed to be disposable, the boot must be removed with the syringe inside the injection device.

Typically, the action required to remove the boot from the syringe entails either pulling the boot away from the syringe or twisting the boot and pulling it away from the syringe. If a filled syringe has been around for quite a while before it is used, it is often difficult to remove the boot from the syringe; a substantial force of in excess of 20N is often required.

If the injection devices are used by patients having rheumatoid arthritis or elderly or weak patients, it is difficult for the patient to remove the boot from the syringe prior to its use. In addition, the boots are small and fiddly to grip for all users but particularly for users who have poor flexibility in their joints or limited manual dexterity. Since the boot of the syringe may be positioned inside the housing, there may also be limited access to the boot.

SUMMARY OF THE INVENTION

The injection devices of the present invention are designed to deal with these problems.

An injection device according to the present invention comprises:

a housing adapted to receive a syringe having a discharge nozzle and a boot that covers its discharge nozzle, the housing defining a first axis and having first and second ends, wherein the discharge nozzle is capable of extending from the first end of the housing through an exit aperture, the housing further having a camming surface at its first end; and

a housing closure member having a camming surface for communicating with the camming surface on the housing so that rotation of the housing closure member about the axis causes the housing closure member to move axially away from the housing;

the housing closure member further comprising means for connecting to the boot of the syringe so that removal of the housing closure member from the housing causes removal of the boot from the syringe.

The camming surfaces on the housing and housing closure means may comprise corresponding curved surfaces.

The housing closure member may further comprise an external grip feature with which a user can grip the housing closure member.

One of the housing closure member and the housing may further comprise a ridge with which a corresponding indentation on the other of the housing closure member and the housing can communicate in order to retain the housing closure member on the housing.

The means for connecting may comprise a pressed grip washer with a profiled internal diameter. In use, the boot would be inserted into the centre of the grip washer, and the profiled internal diameter would deform slightly to surround the boot. In particular, the grip washer may be bent into a frustoconical shape. However, as the cap is removed, the grip washer would dig into the boot and prevent it from being removed from the cap.

The internal diameter of the grip washer may be castellated. Alternatively, the grip washer may comprise an internally toothed star washer or shakeproof washer.

The means for connecting may be formed from metal.

The means for connecting may be held in an indentation moulded into the housing closure means.

The means for connecting may be housed in a central boss moulded into the inside of the housing closure means. The means for connecting may be held in place in the housing closure means by an indentation moulded in to the central boss.

Alternatively, the means for connecting may be moulded from the same material as the housing closure means, as part of a central boss moulded into the inside of the housing closure means.

The means for connecting may comprise a central boss having a hollow end, wherein a lip of the hollow end is bevelled on its leading edge but not on its trailing edge. In use, the boot would ride over the bevelled edge as it was inserted into the housing closure means. However, as the housing closure means is removed, the trailing edge would dig into the boot and prevent it from being removed from the housing closure means.

The housing closure means may further comprise a support surface for supporting an end of a boot of a syringe.

BRIEF DESCRIPTION OF THE DRAWINGS

The invention will now be described by way of example with reference to the accompanying drawings, in which:

Figure 1 shows a perspective view of an injection device according to the present invention with the housing closure member removed and the needle in an extended position;

Figure 2 shows a plan view of the injection device of figure 1;

Figure 3 shows a side view of the injection device of figure 1;

Figure 4 shows a perspective view of the injection device of figures 1 to 3, with the housing closure member in place;

Figure 5 shows a plan view of the injection device of figure 4;

Figure 6 shows a perspective view of a castellated grip washer for use in an injection device according to an embodiment of the present invention;

Figure 7 shows a housing closure member for use in an injection device according to an embodiment of the present invention;

Figure 8 shows the cap of figure 7 when engaged with a syringe boot of a syringe used with an injection device according to an embodiment of the present invention; and

Figure 9 shows a cross-sectional view of part of an injection device according to an embodiment of the present invention.

DETAILED DESCRIPTION

Figures 1 to 5 and 9 show an injection device 110 according to a first embodiment of the present invention. The injection device has an injection device housing 112.

The housing 112 contains a hypodermic syringe 114 of conventional type, including a syringe body 116 defining a reservoir and terminating at one end in a hypodermic needle 118. The syringe 114 has a hermetically sealed cover or "boot" that covers the hypodermic needle 118 and maintains the sterility of the syringe contents. The boot is generally formed of a soft rubber or plastics material. Whilst the syringe illustrated is of hypodermic type, this need not necessarily be so. Transcutaneous or ballistic dermal and subcutaneous

syringes may also be used with the injection device of the present invention.

The injection device is further provided with a cap 130. As is best seen from figures 1 to 3 and 7, the cap is retained on the housing 112 by a ridge 113 on the housing 112, and a corresponding indentation 131 on the inside of the cap 130.

Close to the end of the housing 112 from which the hypodermic needle can extend, there is provided a curved camming surface 150 which corresponds with another curved camming surface 152 on the cap 130.

As can be seen from figures 7 and 8, the interior of the cap 130 is provided with a castellated grip washer 160. This grip washer 160 is shown in figure 6. The grip washer 160 is held in place in the cap 130 by a corresponding indentation 162 which is moulded into the interior of the cap 130.

The exterior of the cap 130 is provided with a pair of grip surfaces 170. These grip surfaces 170 provide a surface through which the user can grip the cap 130.

As can be seen from figure 9, the interior of the cap 130 may be provided with a support surface 180 which supports the end of the boot 120.

During manufacture of the injection device 110, the syringe 114 and boot 120 are inserted into the housing as a single piece. The cap is placed onto the housing such that the boot 120 is forced into the centre of the castellated washer 160 and the ridge 113 on the housing engages with the indentation 131 in the cap 130. In addition the two camming surfaces 150, are aligned. By forcing the boot 120 into the castellated washer 160, the castellations deform so that the washer takes up a slightly frustroconical shape. The metal from which the washer 160 is formed cuts into the softer plastics or rubber material from which the boot 120 is formed. Consequently a very firm grip is produced on the boot 120.

When the injection device 110 is to be used, the user holds the housing with one hand, and grips the cap 130 with the other hand using the grip surfaces 170. The user then rotates the cap 130. In rotating the cap 130, the two camming surfaces 150, 152 move over each other,

and the cap 130 is moved axially away from the housing 112. This rotational and axial movement also twists and pulls the boot 120 off the syringe 114. The boot 120 is held stationary within the cap 130 by the castellated washer 160 because the force required to twist the boot 120 and remove it from the syringe 114 is significantly less than that required to pull the boot 120 out of the centre of the castellated washer 160. The support surface 180 helps to prevent the boot 120 from being pulled away from the syringe 114 at an angle, by maintaining the axial alignment of the boot 120 within the cap 130.

The present invention provides a simple and effective way of solving the problems of the prior art devices. Since no modifications need to be made to the syringe or boot, a standard syringe can be used, and manufacturing costs can be reduced. Furthermore, the tolerances with which the syringe and boot are positioned within the housing are not critical since once the boot has been inserted into the castellated washer, it cannot be removed. It does not matter how much of the boot extends through the washer, provided that the washer grips the boot sufficiently. Since the insertion depth and exact size of the syringe and boot can be subject to variation, this is a significant advantage.

In addition, the number of operational steps required to use the device is minimised since it is not necessary to perform two separate steps to remove the cap and the boot.

CLAIMS

1. An injection device comprising:

a housing adapted to receive a syringe having a discharge nozzle and a boot that covers its discharge nozzle, the housing defining a first axis and having first and second ends, wherein the discharge nozzle is capable of extending from the first end of the housing through an exit aperture, the housing further having a camming surface at its first end; and

a housing closure member having a camming surface for communicating with the camming surface on the housing so that rotation of the housing closure member about the axis causes the housing closure member to move axially away from the housing;

the housing closure member further comprising means for connecting to the boot of the syringe so that removal of the housing closure member from the housing causes removal of the boot from the syringe.

2. An injection device according to claim 1 wherein the camming surfaces on the housing and housing closure means comprise corresponding curved surfaces.

3. An injection device according to claim 1 or claim 2 further comprising an external grip feature with which a user can grip the housing closure member.

4. An injection device according to any preceding claim, wherein one of the housing closure member and the housing further comprises a ridge with which a corresponding indentation on the other of the housing closure member and the housing can communicate in order to retain the housing closure member on the housing.

5. An injection device according to any preceding claim wherein the means for connecting comprises a pressed grip washer with a profiled internal diameter.

6. An injection device according to claim 5 wherein the internal diameter of the grip washer is castellated.

7. An injection device according to claim 5, wherein the grip washer comprises an

internally toothed star washer or shakeproof washer.

8. An injection device according to any of claims 5 to 7, wherein, upon connecting the boot of the syringe to the housing closure member, the grip washer is bent into a frustroconical shape.

9. An injection device according to any preceding claim, wherein the means for connecting is formed from metal.

10. An injection device according to any preceding claim wherein the means for connecting is held in an indentation moulded into the housing closure means.

11. An injection device according to any preceding claim wherein the means for connecting is housed in a central boss moulded into the inside of the housing closure means.

12. An injection device according to claim 11, in which the means for connecting is held in place in the housing closure means by an indentation moulded into the central boss.

13. An injection device according to any of claim 1 to 4, wherein the means for connecting is moulded from the same material as the housing closure means, as part of a central boss moulded into the inside of the housing closure means.

14. An injection device according to claim 13, wherein the means for connecting comprises a central boss having a hollow end, wherein a lip of the hollow end is bevelled on its leading edge but not on its trailing edge.

15. An injection device according to any preceding claim, further comprising a support surface for supporting an end of a boot for a syringe.

16. An injection device substantially as hereinbefore described with reference to and as shown in the attached drawings.

1/4

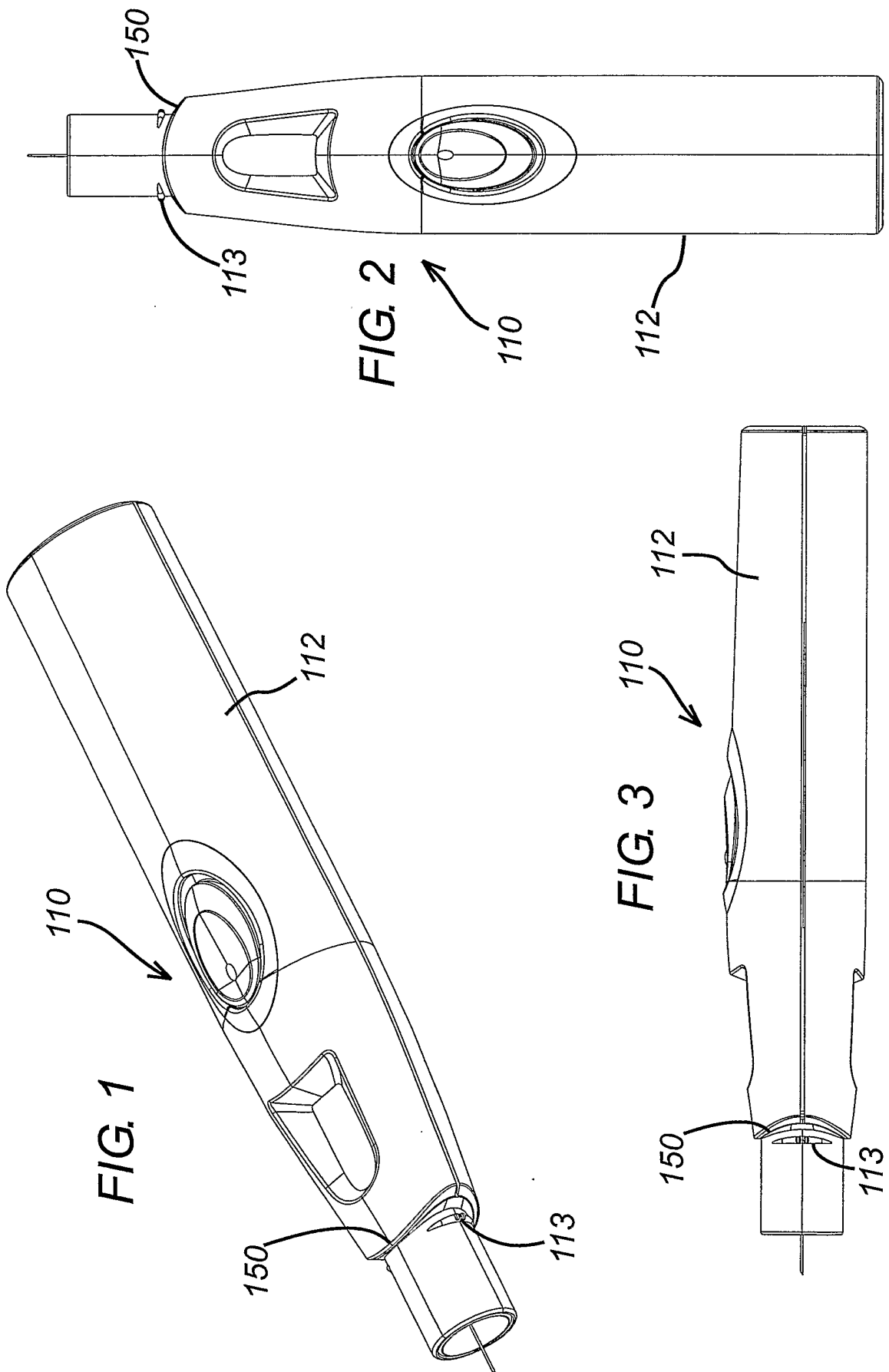
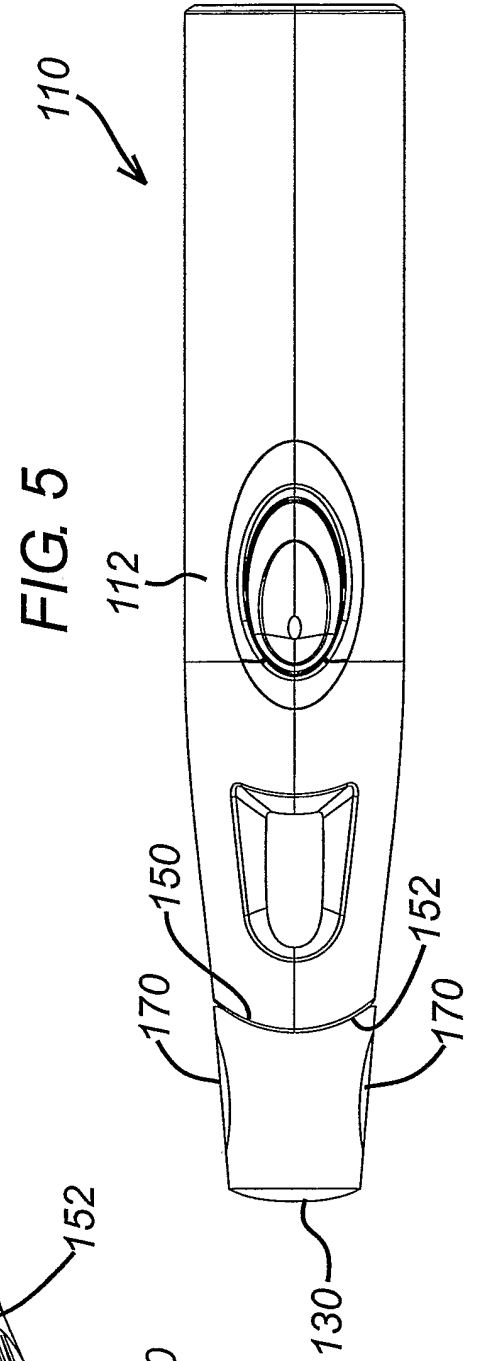
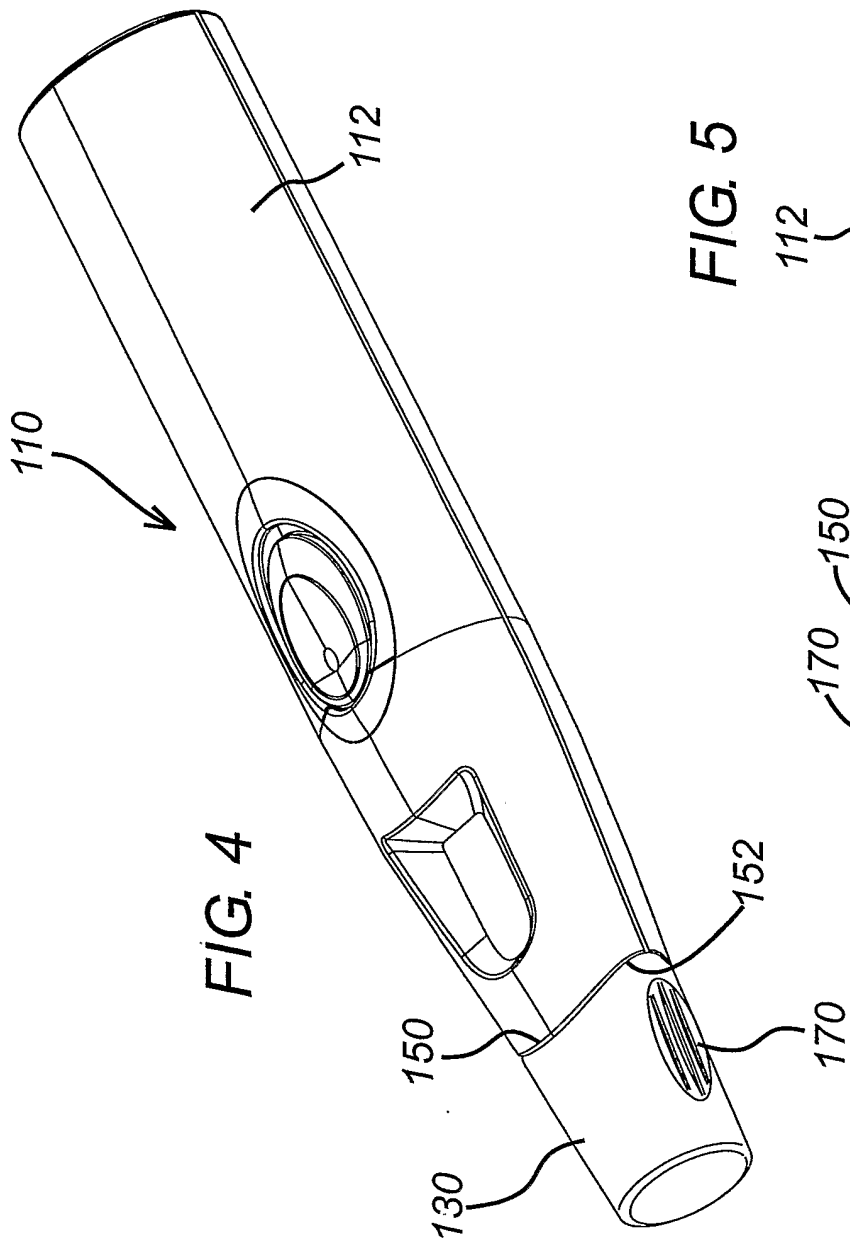


FIG. 1

FIG. 2

FIG. 3



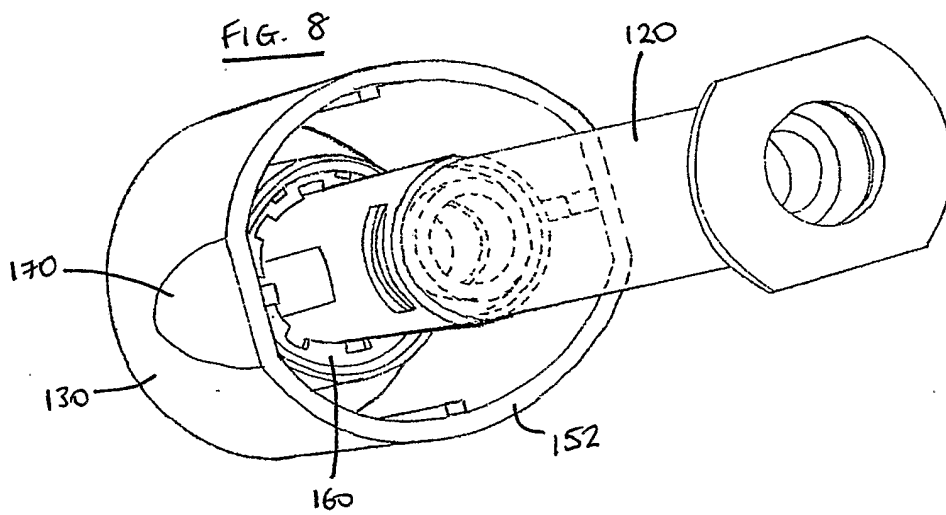
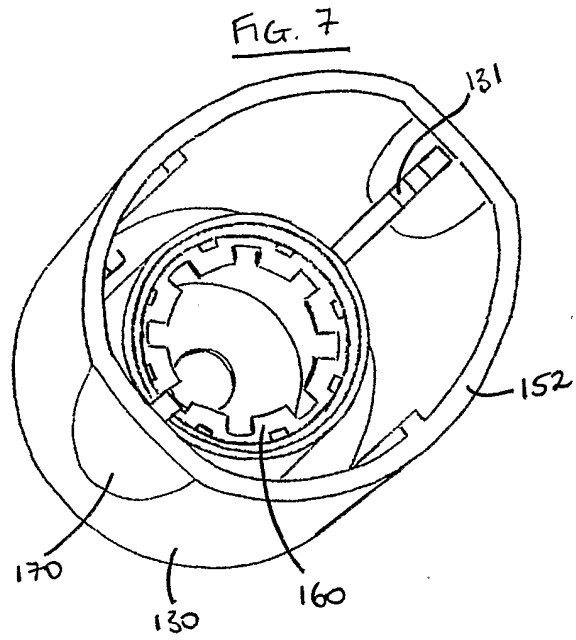
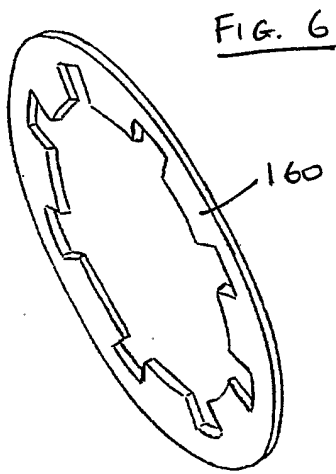
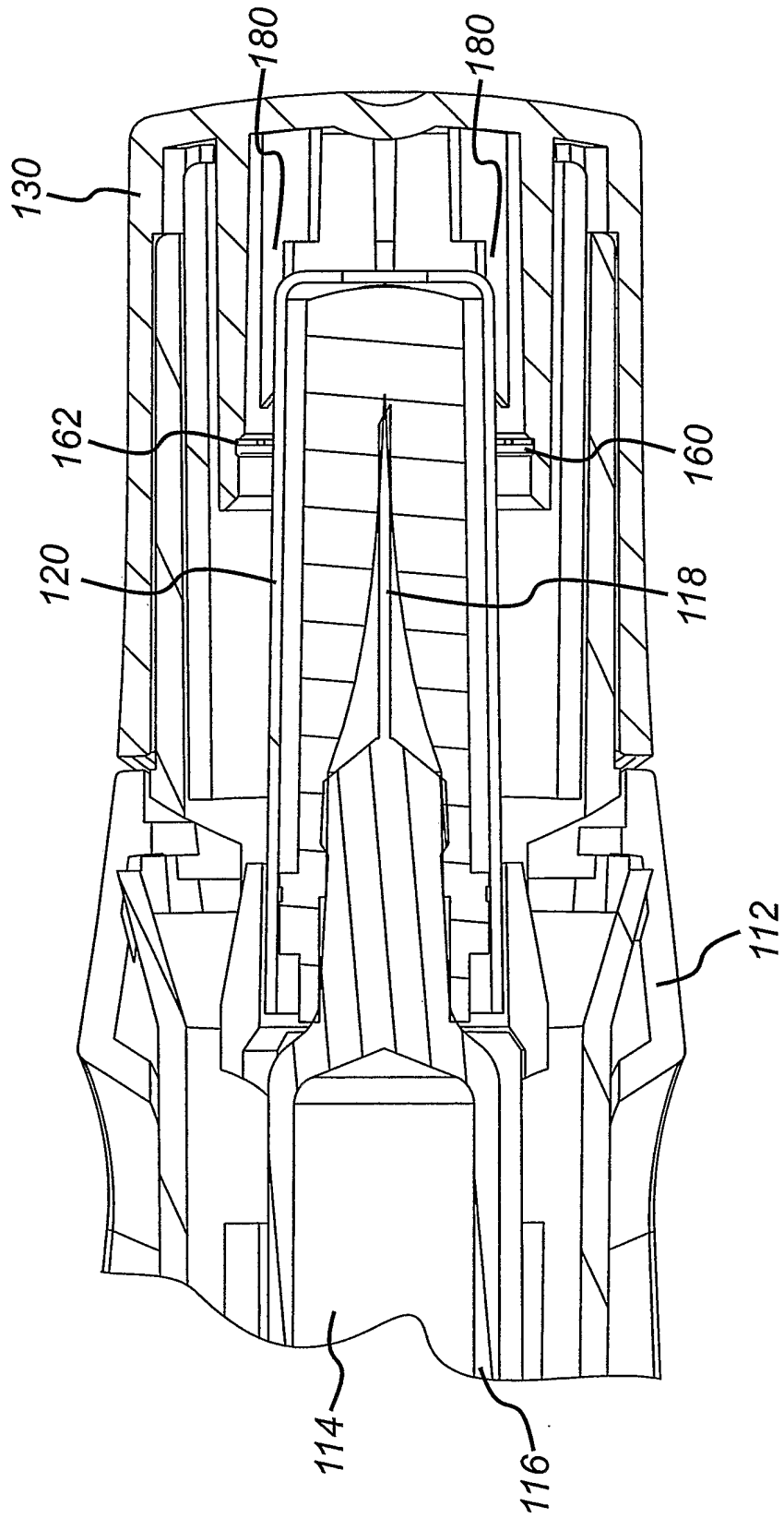


FIG. 9



INTERNATIONAL SEARCH REPORT

PCT/GB2005/002116

A. CLASSIFICATION OF SUBJECT MATTER IPC 7 A61M5/20 A61M5/32		
According to International Patent Classification (IPC) or to both national classification and IPC		
B. FIELDS SEARCHED Minimum documentation searched (classification system followed by classification symbols) IPC 7 A61M		
Documentation searched other than minimum documentation to the extent that such documents are included in the fields searched		
Electronic data base consulted during the international search (name of data base and, where practical, search terms used) EPO-Internal		
C. DOCUMENTS CONSIDERED TO BE RELEVANT		
Category °	Citation of document, with indication, where appropriate, of the relevant passages	Relevant to claim No.
Y	US 5 957 897 A (JEFFREY ET AL) 28 September 1999 (1999-09-28) abstract; figures 1,2 -----	1-15
Y	US 6 447 480 B1 (BRUNEL MARC) 10 September 2002 (2002-09-10) abstract; figure 1 -----	1-15
Y	US 3 329 146 A (JR. LEONARD F. WALDMAN,) 4 July 1967 (1967-07-04) the whole document -----	2
Y	US 5 540 660 A (JENSON ET AL) 30 July 1996 (1996-07-30) abstract; figures 4,5 -----	5
-/--		
<input checked="" type="checkbox"/> Further documents are listed in the continuation of box C.		
<input checked="" type="checkbox"/> Patent family members are listed in annex.		
° Special categories of cited documents :		
"A" document defining the general state of the art which is not considered to be of particular relevance	"T" later document published after the international filing date or priority date and not in conflict with the application but cited to understand the principle or theory underlying the invention	
"E" earlier document but published on or after the international filing date	"X" document of particular relevance; the claimed invention cannot be considered novel or cannot be considered to involve an inventive step when the document is taken alone	
"L" document which may throw doubts on priority claim(s) or which is cited to establish the publication date of another citation or other special reason (as specified)	"Y" document of particular relevance; the claimed invention cannot be considered to involve an inventive step when the document is combined with one or more other such documents, such combination being obvious to a person skilled in the art.	
"O" document referring to an oral disclosure, use, exhibition or other means	"&" document member of the same patent family	
"P" document published prior to the international filing date but later than the priority date claimed		
Date of the actual completion of the international search <p style="text-align: center; font-weight: bold;">26 August 2005</p>	Date of mailing of the international search report <p style="text-align: center; font-weight: bold;">05/09/2005</p>	
Name and mailing address of the ISA European Patent Office, P.B. 5818 Patentlaan 2 NL - 2280 HV Rijswijk Tel. (+31-70) 340-2040, Tx. 31 651 epo nl, Fax: (+31-70) 340-3016	Authorized officer <p style="text-align: center; font-weight: bold;">Ehrsam, F</p>	

INTERNATIONAL SEARCH REPORT

PCT/GB2005/002116

C.(Continuation) DOCUMENTS CONSIDERED TO BE RELEVANT		
Category °	Citation of document, with indication, where appropriate, of the relevant passages	Relevant to claim No.
A	WO 03/066141 A (BECTON, DICKINSON AND COMPANY; GIAMBATTISTA, LUCIO; DESALVO, DAVID) 14 August 2003 (2003-08-14) abstract; figures	1
A	US 2003/121815 A1 (BERGERON LUC ET AL) 3 July 2003 (2003-07-03) abstract; figures	1

INTERNATIONAL SEARCH REPORT

Information on patent family members

n No
PCT/GB2005/002116

Patent document cited in search report		Publication date	Patent family member(s)	Publication date
US 5957897	A	28-09-1999	AT 283081 T	15-12-2004
			AU 709098 B2	19-08-1999
			AU 2680995 A	15-01-1996
			CA 2193231 A1	28-12-1995
			DE 69533811 D1	30-12-2004
			DK 956061 T3	04-04-2005
			EP 0956061 A1	17-11-1999
			ES 2233944 T3	16-06-2005
			WO 9535126 A1	28-12-1995
			JP 10507935 T	04-08-1998
			SI 0956061 T1	30-06-2005
US 6447480	B1	10-09-2002	FR 2784033 A1	07-04-2000
			AT 282449 T	15-12-2004
			AU 5869299 A	26-04-2000
			BR 9914126 A	19-06-2001
			CA 2345649 A1	13-04-2000
			CN 1320053 A	31-10-2001
			DE 69922034 D1	23-12-2004
			EP 1117454 A1	25-07-2001
			ES 2234294 T3	16-06-2005
			WO 0020059 A1	13-04-2000
			JP 2002526175 T	20-08-2002
			MX PA01003191 A	02-07-2002
			DK 1117454 T3	21-03-2005
			US 3329146	A
US 5540660	A	30-07-1996	US 5267962 A	07-12-1993
			US 5380285 A	10-01-1995
WO 03066141	A	14-08-2003	US 2002133122 A1	19-09-2002
			US 2003014018 A1	16-01-2003
			AU 2002332466 A1	02-09-2003
			EP 1483004 A1	08-12-2004
			JP 2005516691 T	09-06-2005
			WO 03066141 A1	14-08-2003
			US 2004193110 A1	30-09-2004
US 2003121815	A1	03-07-2003	AU 5248801 A	26-11-2001
			BG 107224 A	31-07-2003
			BR 0110798 A	11-02-2003
			CA 2405978 A1	22-11-2001
			CN 1429124 A	09-07-2003
			CZ 20023810 A3	16-04-2003
			EA 3971 B1	25-12-2003
			EE 200200638 A	15-04-2004
			EP 1289586 A1	12-03-2003
			HR 20020848 A2	29-02-2004
			HU 0302242 A2	28-10-2003
			WO 0187388 A1	22-11-2001
			JP 2003533292 T	11-11-2003
			MX PA02010686 A	30-07-2004
			NO 20025494 A	15-11-2002
			PL 367512 A1	21-02-2005
			SK 16212002 A3	01-04-2003
			ZA 200208528 A	22-10-2003