



US00D742268S

(12) **United States Design Patent**
Kalinowski et al.

(10) **Patent No.:** **US D742,268 S**

(45) **Date of Patent:** **** Nov. 3, 2015**

(54) **BEACON DEVICE**

(71) Applicant: **Facebook, Inc.**, Menlo Park, CA (US)

(72) Inventors: **Caitlin E. Kalinowski**, San Francisco, CA (US); **Remy Labesque**, Glen Ellen, CA (US)

(73) Assignee: **Facebook, Inc.**, Menlo Park, CA (US)

(**) Term: **14 Years**

(21) Appl. No.: **29/511,329**

(22) Filed: **Dec. 9, 2014**

(51) **LOC (10) Cl.** **10-05**

(52) **U.S. Cl.**
USPC **D10/114.2**

(58) **Field of Classification Search**
USPC D10/111, 113.1, 113.4, 109.1,
D10/114.1-114.2, 114.4; D26/97, 91, 28,
D26/37
CPC B64D 47/02
See application file for complete search history.

(56) **References Cited**

U.S. PATENT DOCUMENTS

D44,937 S * 11/1913 Robbins D11/90
D237,156 S * 10/1975 McEwins D10/111

D534,670 S * 1/2007 Chengfeng D26/37
7,258,507 B2 * 8/2007 Kim et al. 404/15
D704,083 S * 5/2014 Rusch D10/109.1

* cited by examiner

Primary Examiner — George D Kirschbaum

(74) *Attorney, Agent, or Firm* — Baker Botts L.L.P.

(57) **CLAIM**

The ornamental design for a beacon device, as shown and described.

DESCRIPTION

FIG. 1 is a perspective view of a beacon device showing the new design.

FIG. 2 is a top view a beacon device showing the new design. FIG. 3 is a bottom view of a beacon device showing the new design.

FIG. 4 is an elevation view of a beacon device showing the new design.

FIG. 5 is an elevation view of a beacon device showing the new design; and,

FIG. 6 is an exploded view of a beacon device showing the new design.

The broken line showing of internal elements is included for the purpose of illustrating portions of the “article” and forms no part of the claimed design.

1 Claim, 5 Drawing Sheets

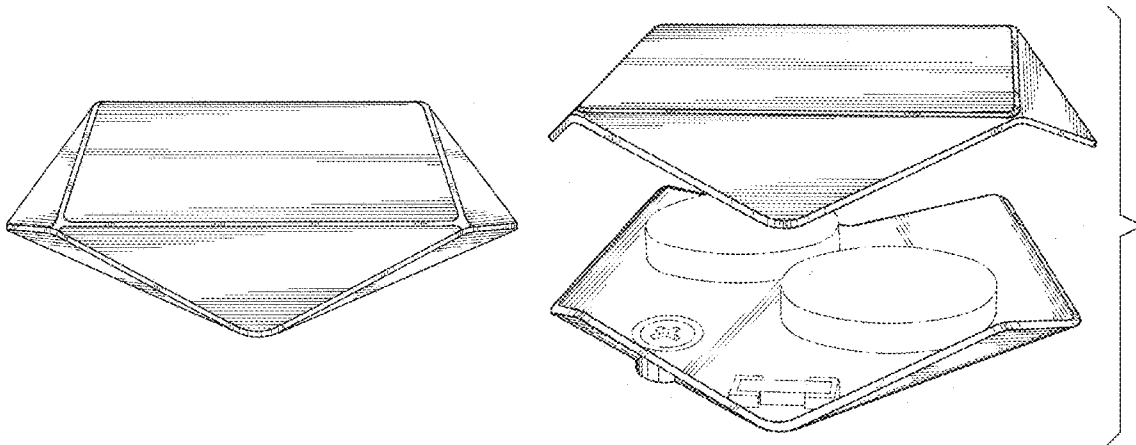


FIG. 1

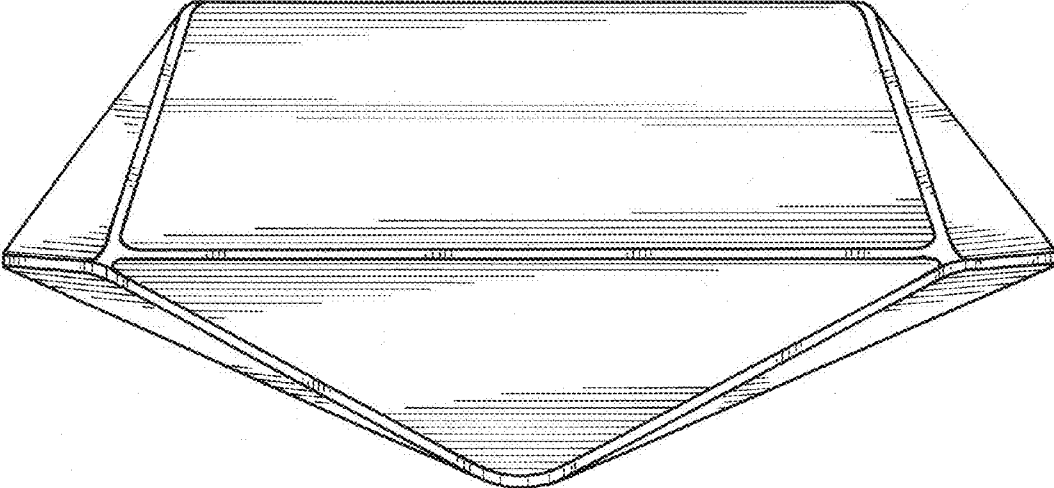


FIG. 2

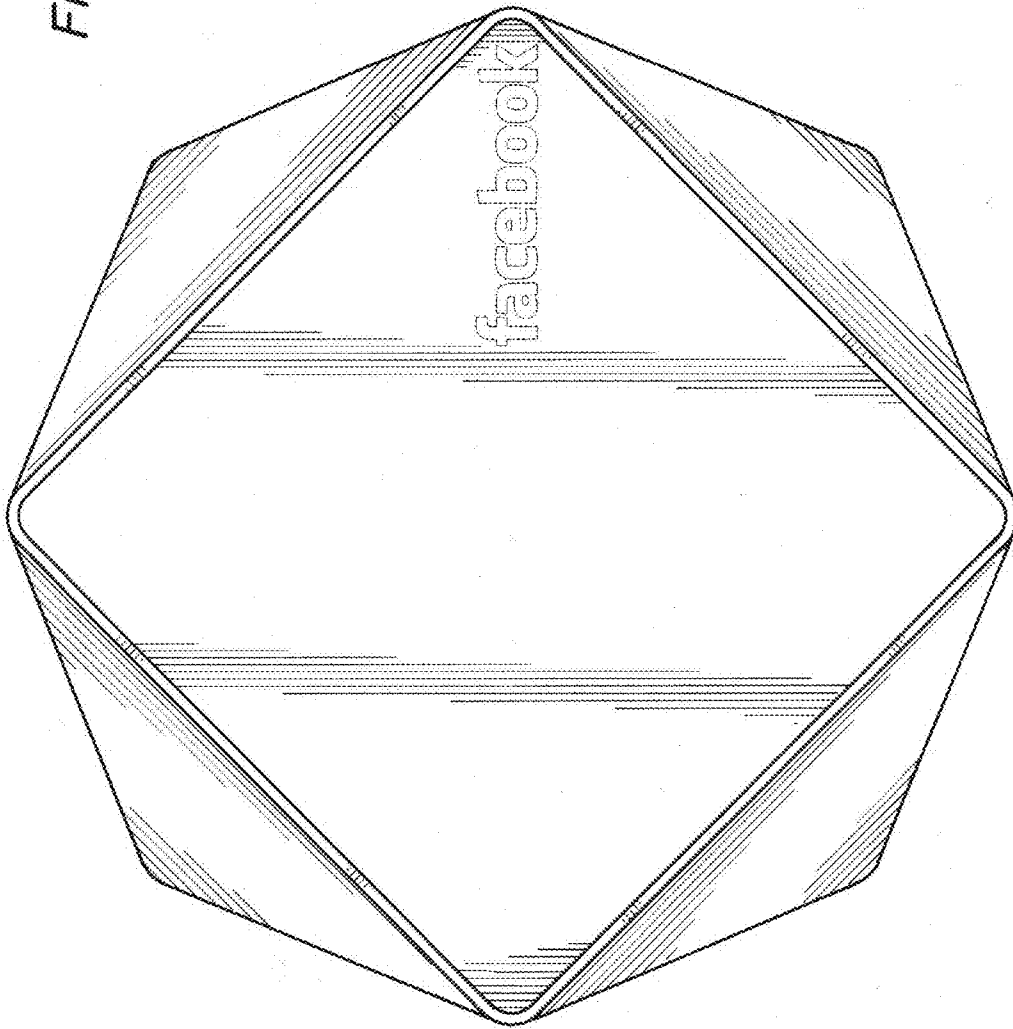
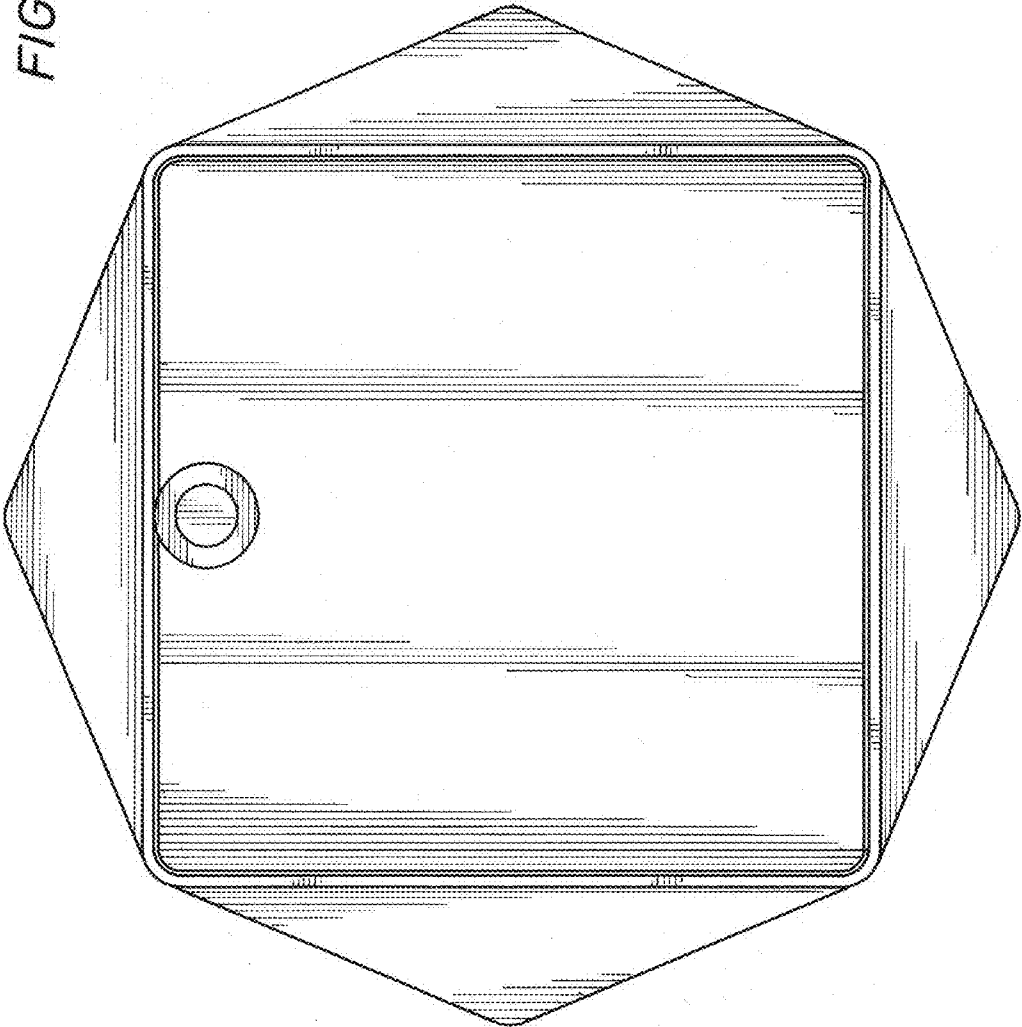


FIG. 3



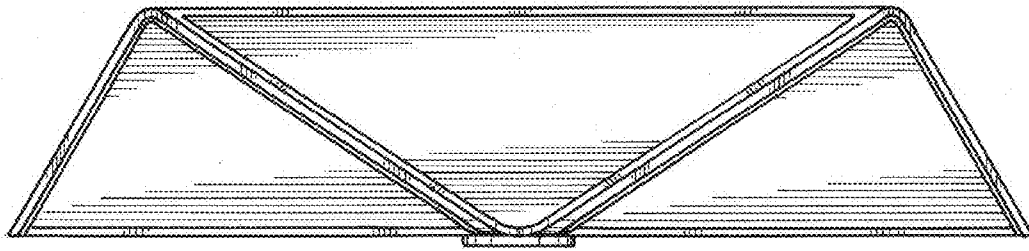


FIG. 4

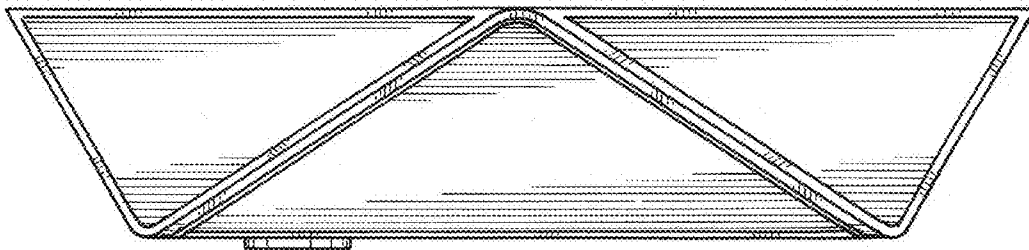


FIG. 5

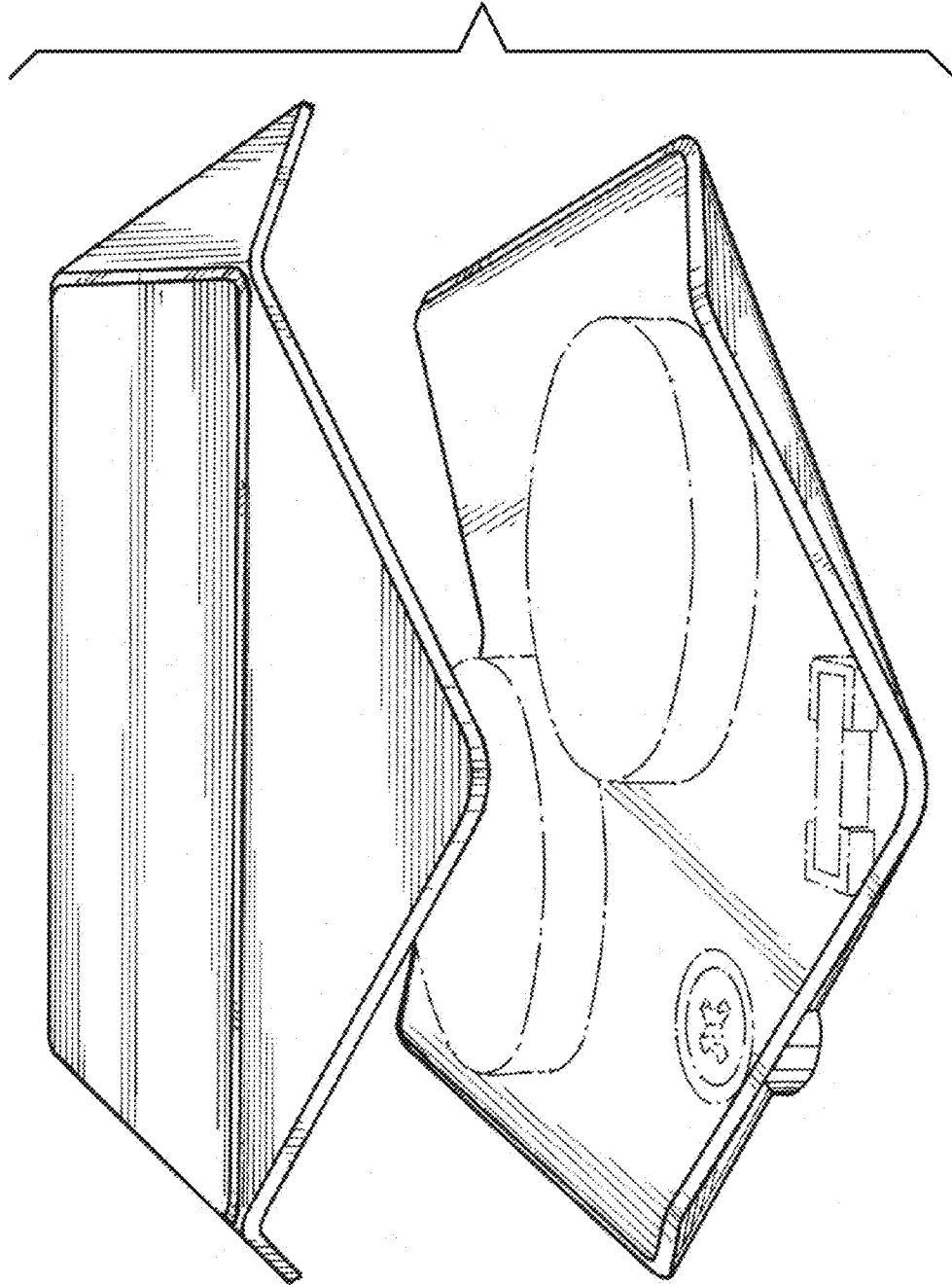


FIG. 6