



US0D1040105S

(12) **United States Design Patent**
McHenry

(10) **Patent No.:** **US D1,040,105 S**

(45) **Date of Patent:** **** Aug. 27, 2024**

(54) **TRANSFORMER COVER**

(71) Applicants: **MW HOLDINGS GROUP, LLC**,
Fairfield, AL (US); **Larry McHenry**,
Fairfield, AL (US)

(72) Inventor: **Larry McHenry**, Fairfield, AL (US)

(73) Assignee: **Power Grid Professionals Inc**,
Fairfield, AL (US)

(**) Term: **15 Years**

(21) Appl. No.: **35/518,758**

(22) Filed: **Sep. 22, 2023**

(80) **Hague Agreement Data**

Int. Filing Date: **Sep. 22, 2023**

Int. Reg. No.: **DM/232315**

Int. Reg. Date: **Sep. 22, 2023**

Int. Reg. Pub. Date: **Oct. 20, 2023**

(51) **LOC (14) Cl.** **13-02**

(52) **U.S. Cl.**
USPC **D13/110**

(58) **Field of Classification Search**

USPC D13/110, 117, 101, 118, 133, 179, 183,
D13/199; D15/5, 199

CPC H01F 27/02; H01F 27/04; H01F 27/24;
H01F 27/402; H01F 38/08; H01F 17/04;
H01F 17/045; H01F 5/02; H01R 13/50;
H01R 13/6582; H01R 12/716; H02M
3/28; H03H 7/427; G01R 1/04; Y10T
29/49229; A01M 29/30; A01M 29/32

See application file for complete search history.

(56) **References Cited**

U.S. PATENT DOCUMENTS

4,005,341 A * 1/1977 Uptegraff, Jr. H01F 27/02
361/37

4,171,791 A * 10/1979 Britz B28B 7/16
249/168

D335,279 S * 5/1993 Parduhn D13/118
D357,458 S * 4/1995 Tisbo D13/118
D358,580 S * 5/1995 Arnold D13/110
D485,806 S * 1/2004 Cook D13/118
D595,804 S * 7/2009 Tollefson D22/120
7,884,285 B2 * 2/2011 Spencer A01M 29/30
174/138 R
9,413,153 B2 * 8/2016 Spencer H01F 27/02
9,646,743 B2 * 5/2017 Spencer H05K 5/03

(Continued)

Primary Examiner — Derrick E Holland

(74) *Attorney, Agent, or Firm* — Silver Legal LLC; Jarrett
L. Silver

(57) **CLAIM**

The ornamental design for transformer cover, as shown and
described.

DESCRIPTION

2. Transformer cover

2.1 : Perspective

2.2 : Front

2.3 : Back

2.4 : Left

2.5 : Right

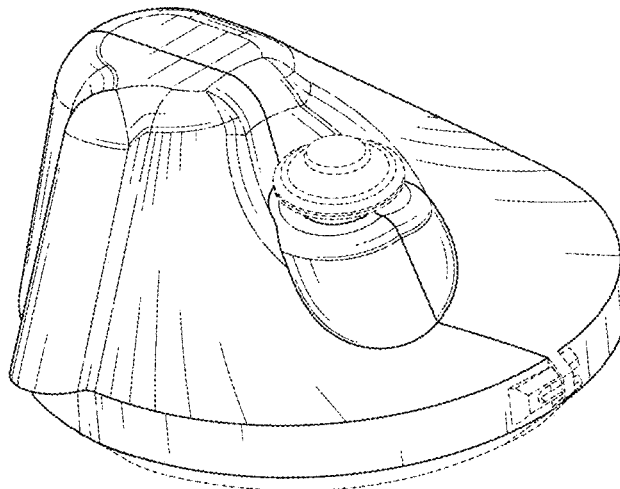
2.6 : Top

2.7 : Bottom

The transformer cover (single bushing) design is a two-piece
cover that sits on top of the transformer with the highest
point at the bushing with sides sloping down; the trans-
former cover (two-bushing) design is a two-piece cover with
an opening for at least one bushing and a second area for a
second bushing opening and a wire conduit; the broken lines
illustrate portions of the transformer cover or bushings from
a transformer that do not form a part of the claimed design;
every model of transformer has different bushing locations,
so the bushing locations and the corresponding highest
points and slopes may change to be fit various models of
transformers.

The broken lines shown depict the portions of the trans-
former cover that form no part of the claimed design.

1 Claim, 7 Drawing Sheets



(56)

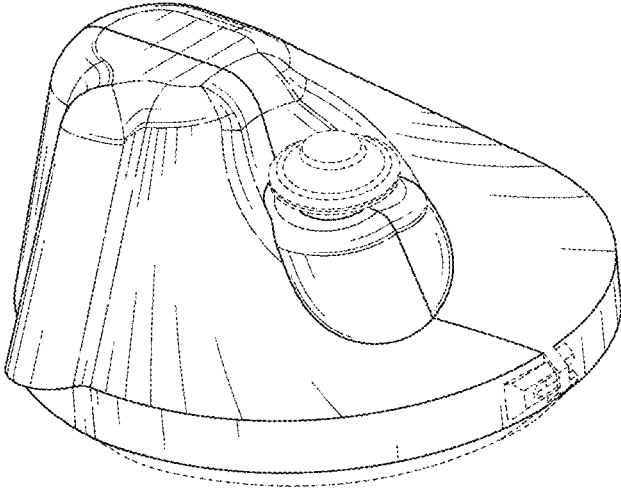
References Cited

U.S. PATENT DOCUMENTS

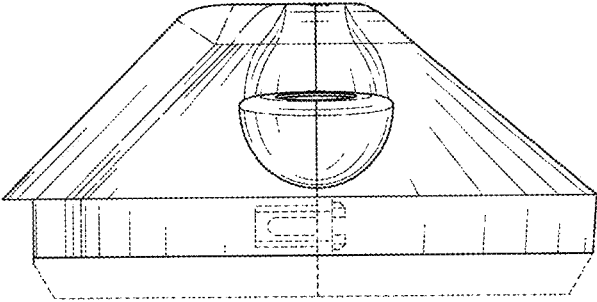
D788,475 S * 6/2017 Kiyohara D6/309
D809,458 S * 2/2018 Yamazaki D13/110

* cited by examiner

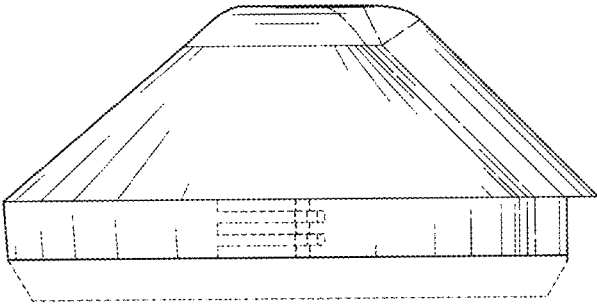
2.1



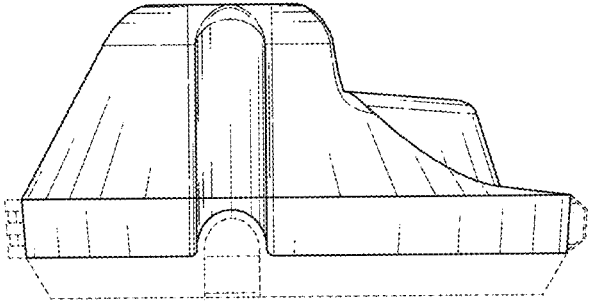
2.2



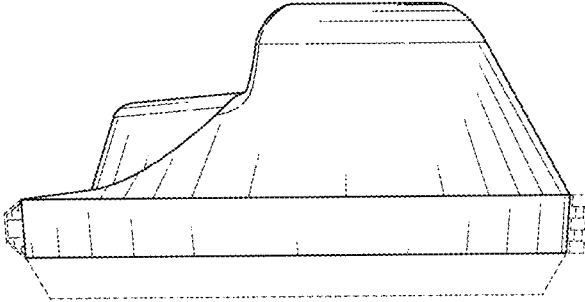
2.3



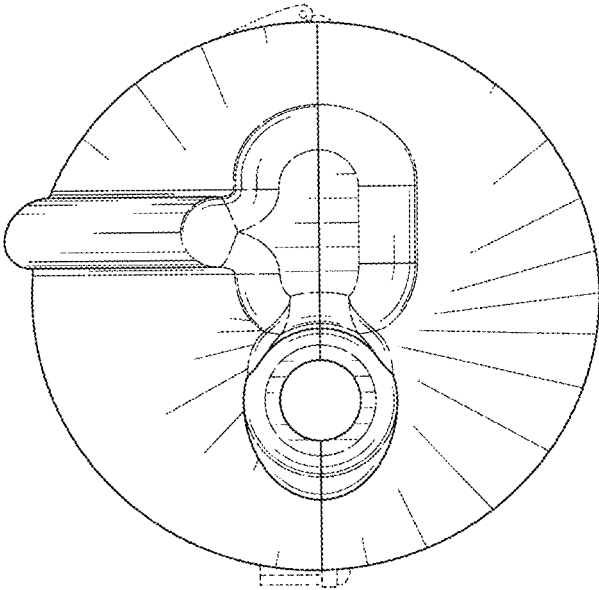
2.4



2.5



2.6



2.7

