



US0D1046894S

(12) **United States Design Patent**  
**Pady et al.**

(10) **Patent No.:** **US D1,046,894 S**

(45) **Date of Patent:** **\*\* Oct. 15, 2024**

(54) **DISPLAY SCREEN OR PORTION THEREOF WITH A GRAPHICAL USER INTERFACE**

(71) Applicant: **IGT, Las Vegas, NV (US)**

(72) Inventors: **Tamsyn Pady, Reno, NV (US); Darcy McCormick, Reno, NV (US); Amanda Tremblay, Reno, NV (US)**

(73) Assignee: **IGT, Las Vegas, NV (US)**

(\*\*) Term: **15 Years**

(21) Appl. No.: **29/873,391**

(22) Filed: **Mar. 30, 2023**

(51) **LOC (14) Cl.** ..... **14-04**

(52) **U.S. Cl.**

USPC ..... **D14/485; D14/492**

(58) **Field of Classification Search**

USPC ..... **D14/485-495**

(Continued)

(56) **References Cited**

**U.S. PATENT DOCUMENTS**

1,956,938 A \* 5/1934 Wood ..... G03B 1/42  
242/351  
4,273,436 A \* 6/1981 Drell ..... G03D 13/10  
359/809

(Continued)

**FOREIGN PATENT DOCUMENTS**

EM 000154513-0006 \* 1/2006  
KR 301169598.0000 \* 6/2022

**OTHER PUBLICATIONS**

“Spin That Wheel”, Dec. 29, 2022, YouTube, Jun. 11, 2024, [youtube.com/watch?v=o7wJ-L-CEYE](https://www.youtube.com/watch?v=o7wJ-L-CEYE) (Year: 2022).\*

(Continued)

*Primary Examiner* — Cary M Robinson  
*Assistant Examiner* — Ezekiel D Bolden  
(74) *Attorney, Agent, or Firm* — Neal, Gerber & Eisenberg LLP

(57) **CLAIM**

The ornamental design for a display screen or a portion thereof with a graphical user interface as shown and described.

**DESCRIPTION**

This application is related to the following commonly owned co-pending patent application: U.S. application Ser. No. 18/193,042, entitled “Nested Reels”.

FIG. 1 is a front view of a display screen or a portion thereof with a graphical user interface of one embodiment of our new design.

FIG. 2 is a front view of a display screen or a portion thereof with a graphical user interface of another embodiment of our new design.

FIG. 3 is a front view of a display screen or a portion thereof with a graphical user interface of another embodiment of our new design.

FIG. 4 is a front view of a display screen or a portion thereof with a graphical user interface of another embodiment of our new design.

FIG. 5 is a front view of a display screen or a portion thereof with a graphical user interface of another embodiment of our new design.

FIG. 6 is a front view of a display screen or a portion thereof with a graphical user interface of another embodiment of our new design.

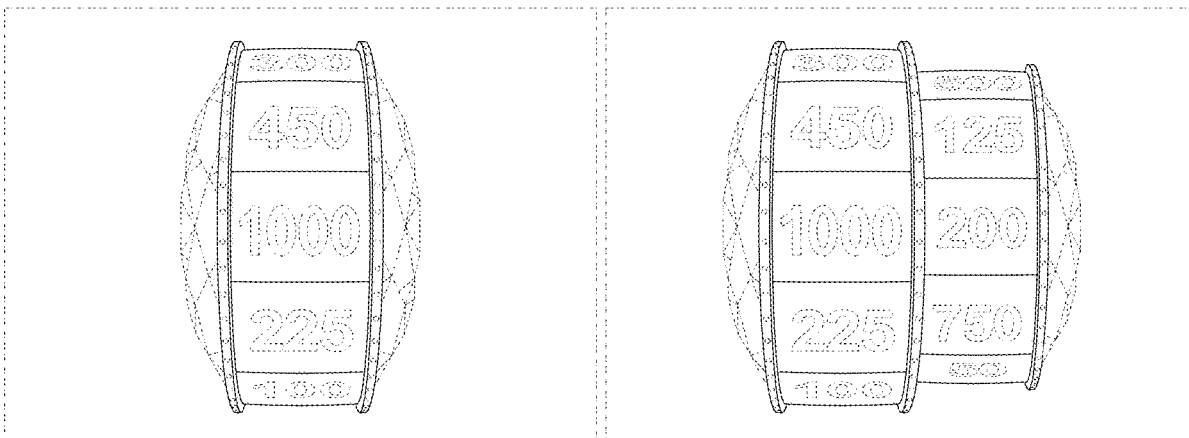
FIG. 7 is a front view of a display screen or a portion thereof with a graphical user interface of another embodiment of our new design.

FIG. 8 is a front view of a display screen or a portion thereof with a graphical user interface of another embodiment of our new design.

FIG. 9 is a front view of a display screen or a portion thereof with a graphical user interface of another embodiment of our new design; and,

FIG. 10 is a front view of a display screen or a portion thereof with a graphical user interface of another embodiment of our new design.

(Continued)



The dashed broken line perimeter in the drawings illustrate a display screen or portion thereof and forms no part of the claimed design. The remaining dashed broken lines in the drawings illustrate portions of the graphical user interface that form no part of the claimed design.

**1 Claim, 10 Drawing Sheets**

(58) **Field of Classification Search**

CPC ... B60K 37/00; G06F 3/0481; G06F 3/04845;  
 G06F 3/04817; G06F 17/212; G06F  
 19/3406; G06F 2203/014; G06F  
 2206/1008; G06F 2209/545; G06F 30/12;  
 G06F 40/106; G06T 13/80; G06T 15/02;  
 G06Q 10/10; H04M 1/6075; H04M  
 3/567; H04M 1/2477; H04M 1/26; H04L  
 51/04; H04L 12/1813; H04N 7/16; H04N  
 1/00408

See application file for complete search history.

(56) **References Cited**

U.S. PATENT DOCUMENTS

4,368,969 A \* 1/1983 Baschung ..... G03D 15/003  
 242/615.3  
 5,462,277 A \* 10/1995 Takemoto ..... G07F 17/3213  
 463/20  
 6,089,976 A \* 7/2000 Schneider ..... G07F 17/3244  
 463/16  
 6,137,964 A \* 10/2000 Murakami ..... G03B 17/30  
 396/538  
 6,308,953 B1 \* 10/2001 Nagano ..... G07F 17/3227  
 463/20  
 6,315,663 B1 \* 11/2001 Sakamoto ..... G07F 17/3265  
 463/20

D487,582 S \* 3/2004 McGahn ..... D21/385  
 D498,268 S \* 11/2004 Kaminkow ..... D21/385  
 D510,752 S \* 10/2005 Baerlocher ..... D21/370  
 7,361,088 B2 \* 4/2008 Maya ..... G07F 17/32  
 463/16  
 D569,919 S 5/2008 Zielinski  
 7,458,890 B2 12/2008 Loose et al.  
 7,485,038 B2 \* 2/2009 Rothkranz ..... G07F 17/3211  
 463/16  
 7,753,773 B2 7/2010 Baerlocher et al.  
 7,922,573 B2 4/2011 Baerlocher et al.  
 8,485,881 B2 7/2013 Griswold et al.  
 8,562,429 B2 10/2013 Baerlocher et al.  
 8,727,862 B2 5/2014 Jarvis et al.  
 D753,683 S \* 4/2016 Guilleminot ..... D14/486  
 9,478,107 B2 \* 10/2016 Nakamura ..... G07F 17/3213  
 9,940,781 B2 4/2018 Saravanan et al.  
 10,204,491 B2 2/2019 Idris et al.  
 D900,130 S \* 10/2020 Matos ..... D14/485  
 D940,177 S \* 1/2022 Tuomey ..... D14/486  
 2002/0054164 A1 \* 5/2002 Uemura ..... G11B 27/34  
 715/848  
 2004/0029631 A1 \* 2/2004 Duhamel ..... G07F 17/3267  
 463/20  
 2006/0046830 A1 3/2006 Webb  
 2006/0084498 A1 4/2006 Baerlocher et al.  
 2012/0088568 A1 4/2012 Inoue  
 2014/0094303 A1 \* 4/2014 Wabschall ..... G07F 17/3211  
 463/31  
 2015/0102557 A1 4/2015 Thoeni et al.  
 2016/0125689 A1 5/2016 Hoffman et al.  
 2016/0300454 A1 10/2016 Uss et al.

OTHER PUBLICATIONS

“I Spin the Price is Right Big Wheel”, May 7, 2011, YouTube, Jun. 11, 2024, youtube.com/watch?v=hlDahRxsyBE (Year: 2011).\*

\* cited by examiner

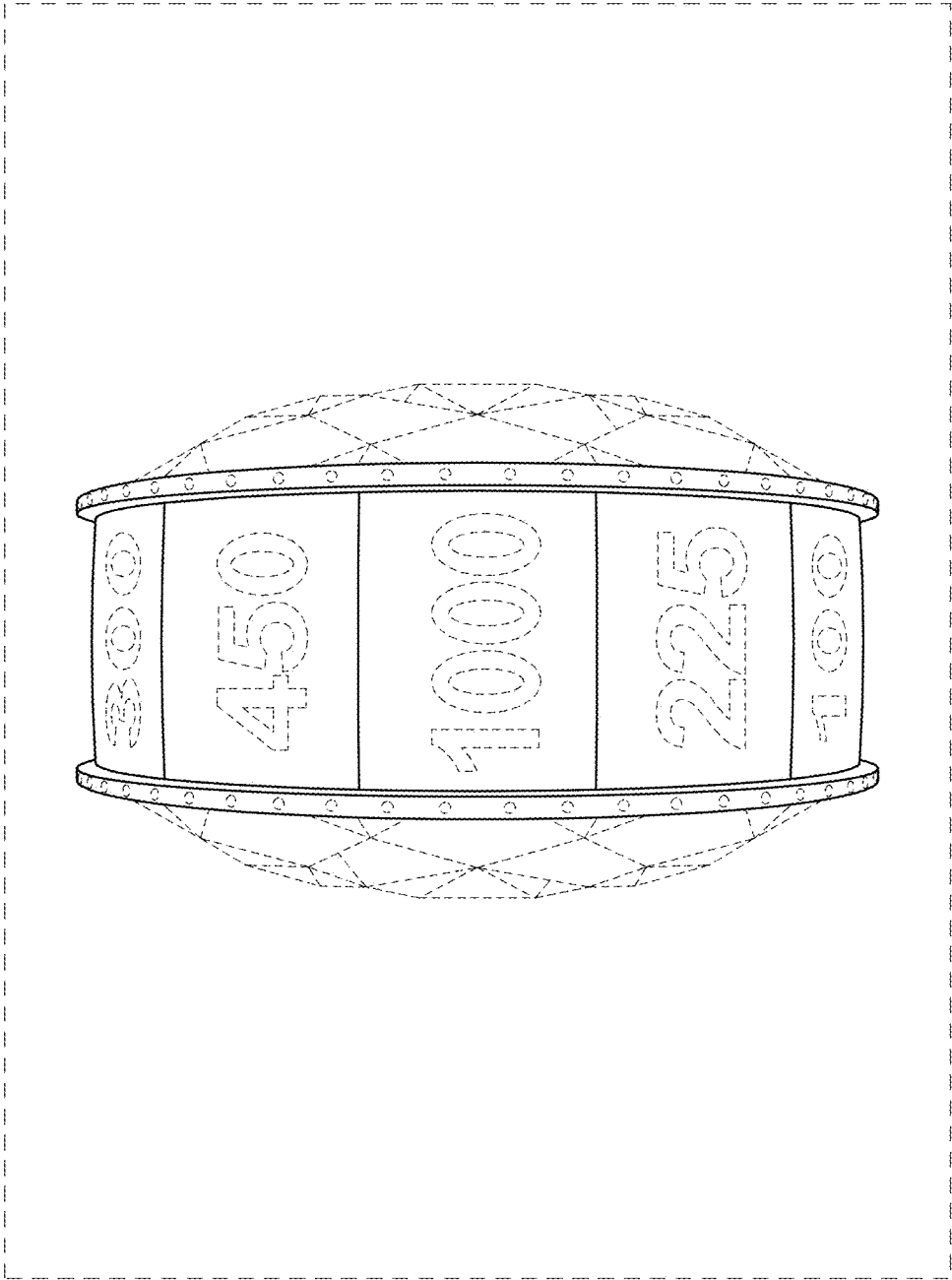


FIG. 1

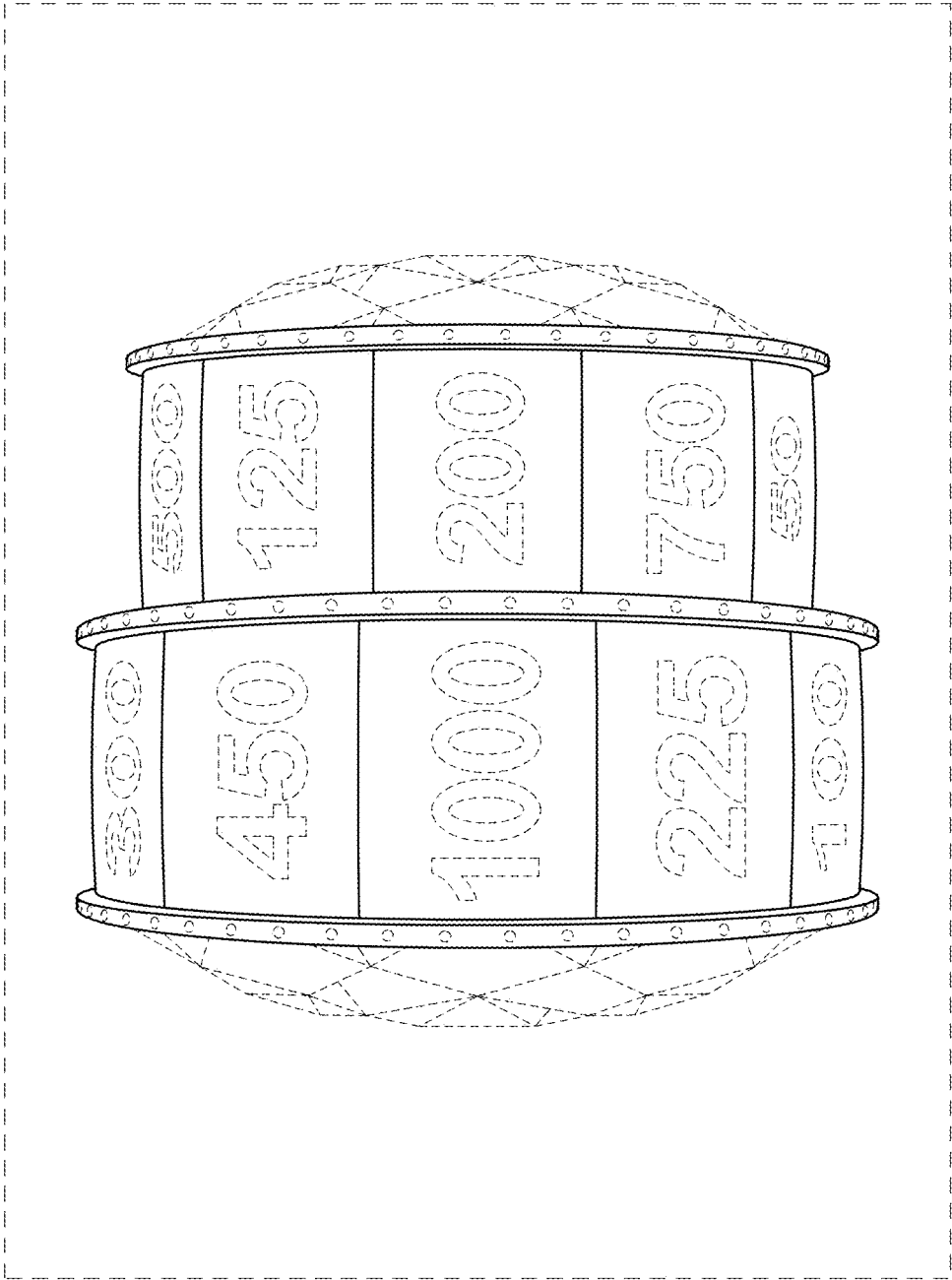


FIG. 2

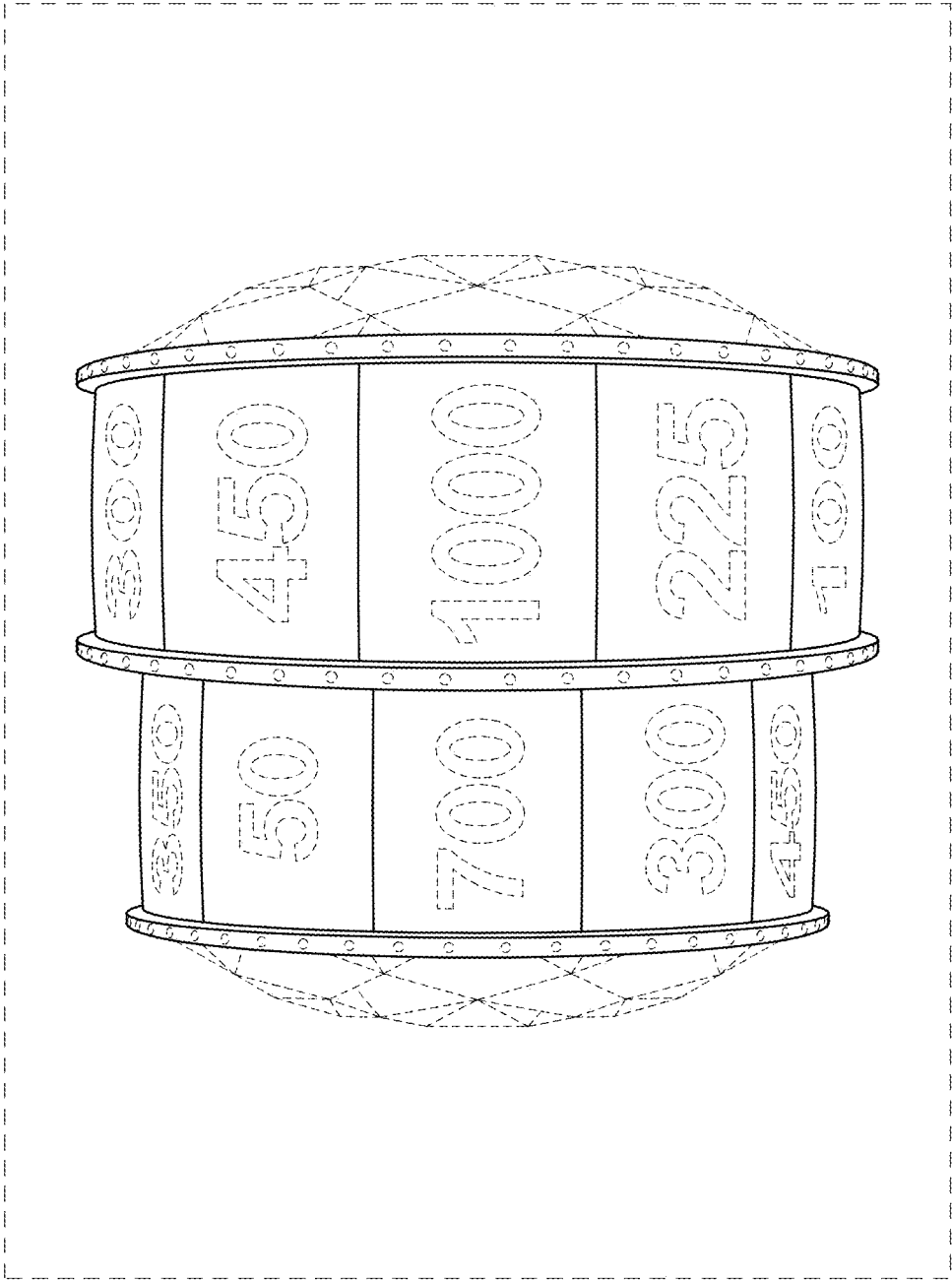


FIG. 3

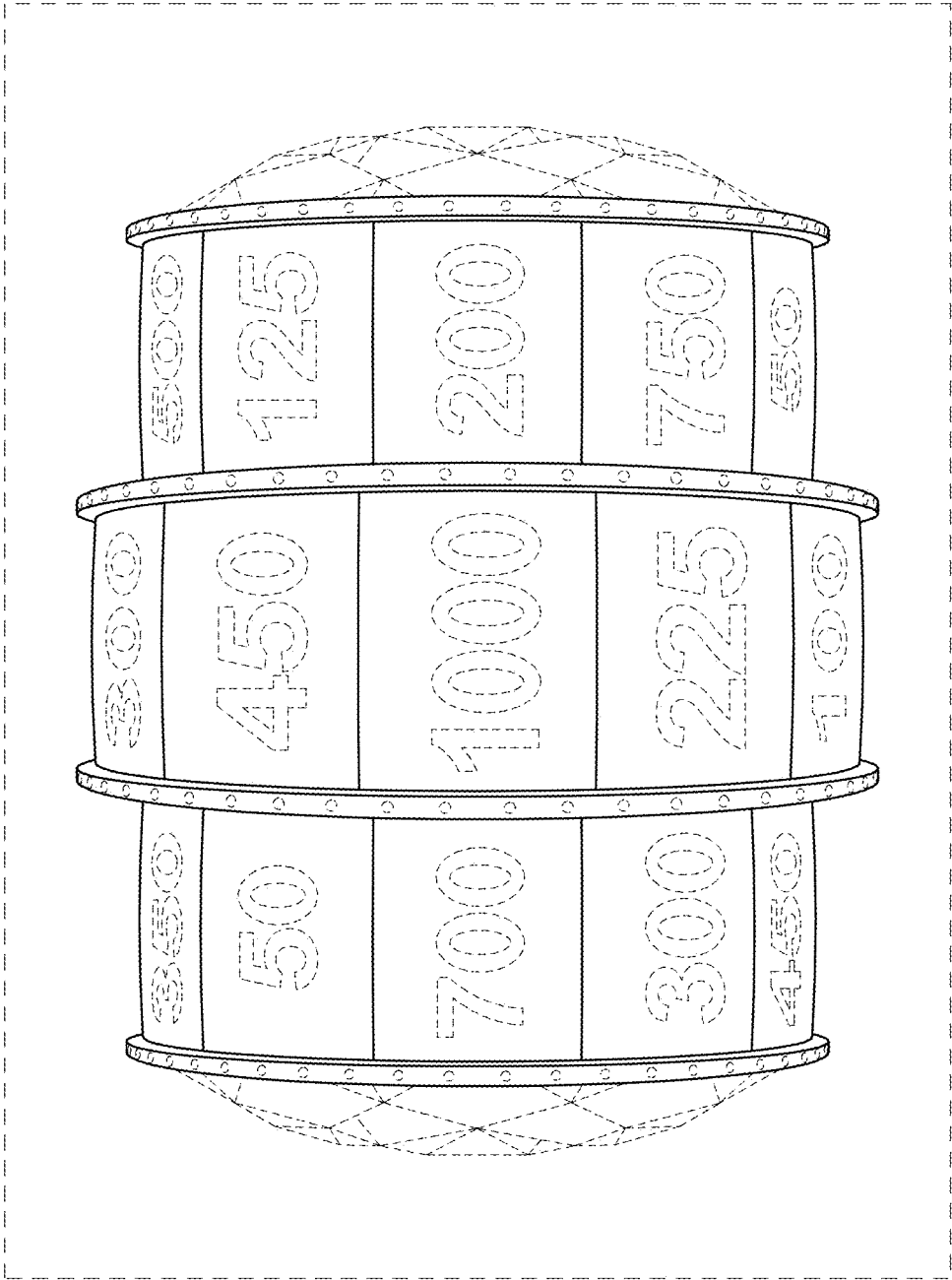


FIG. 4

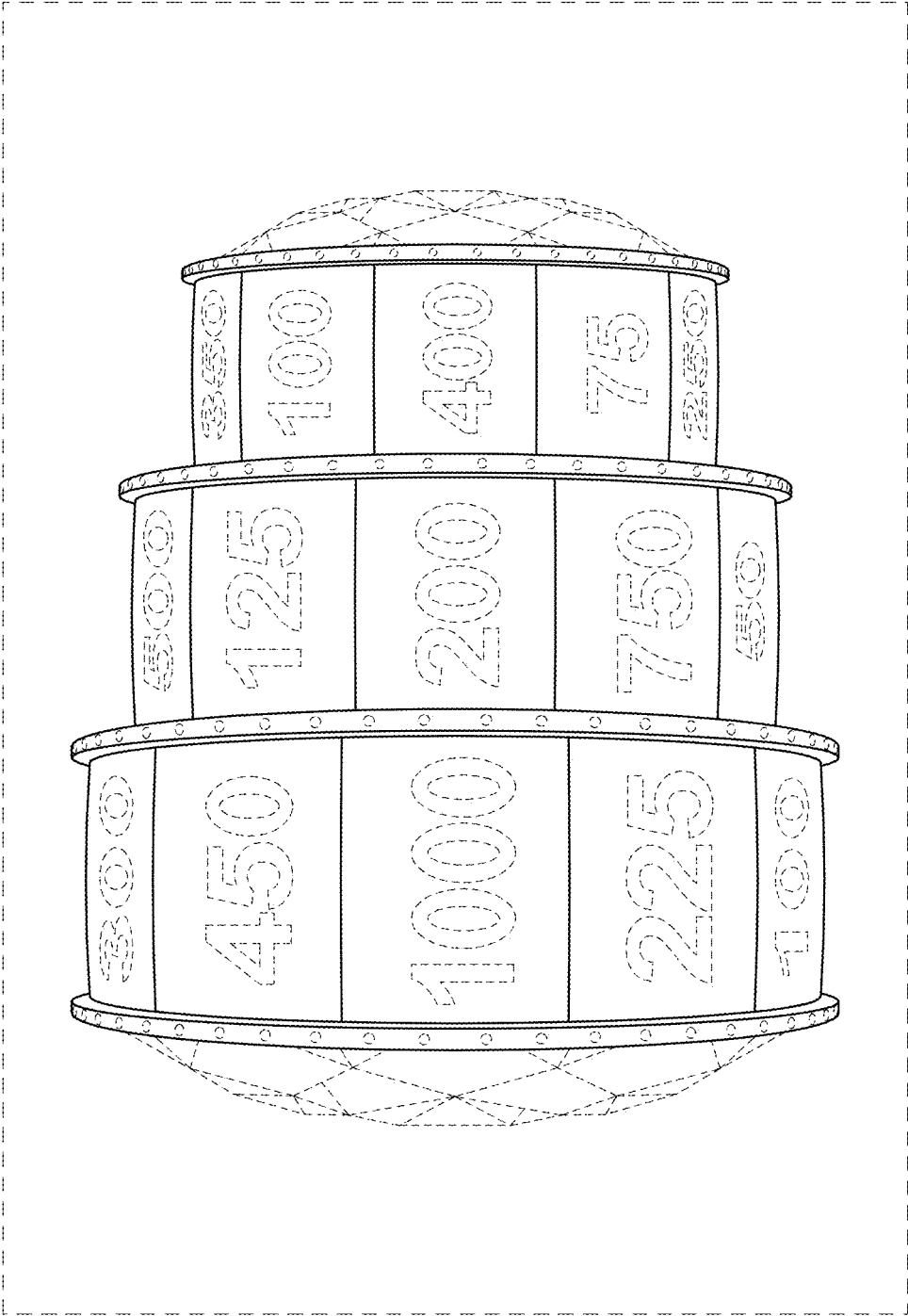


FIG. 5

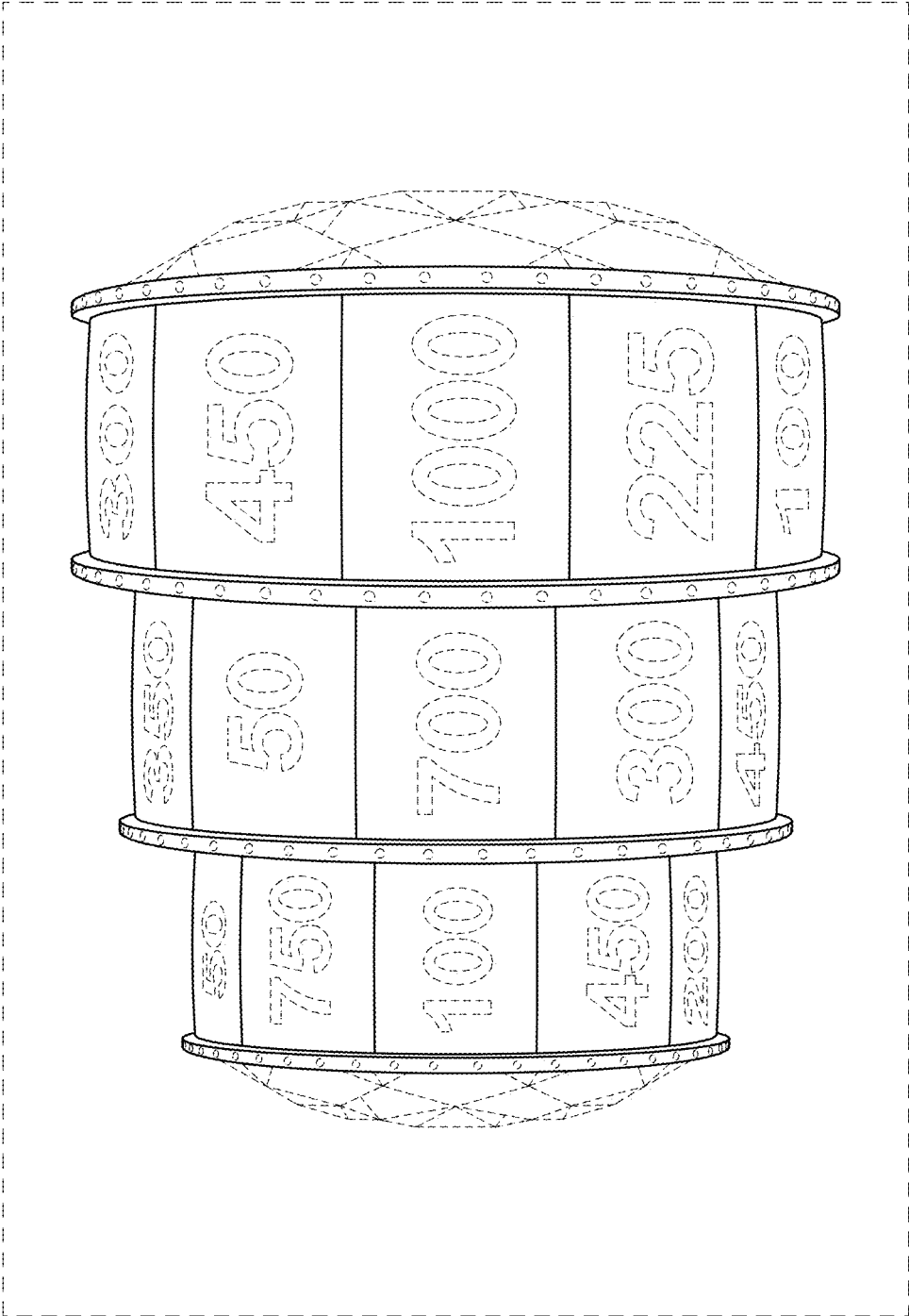


FIG. 6



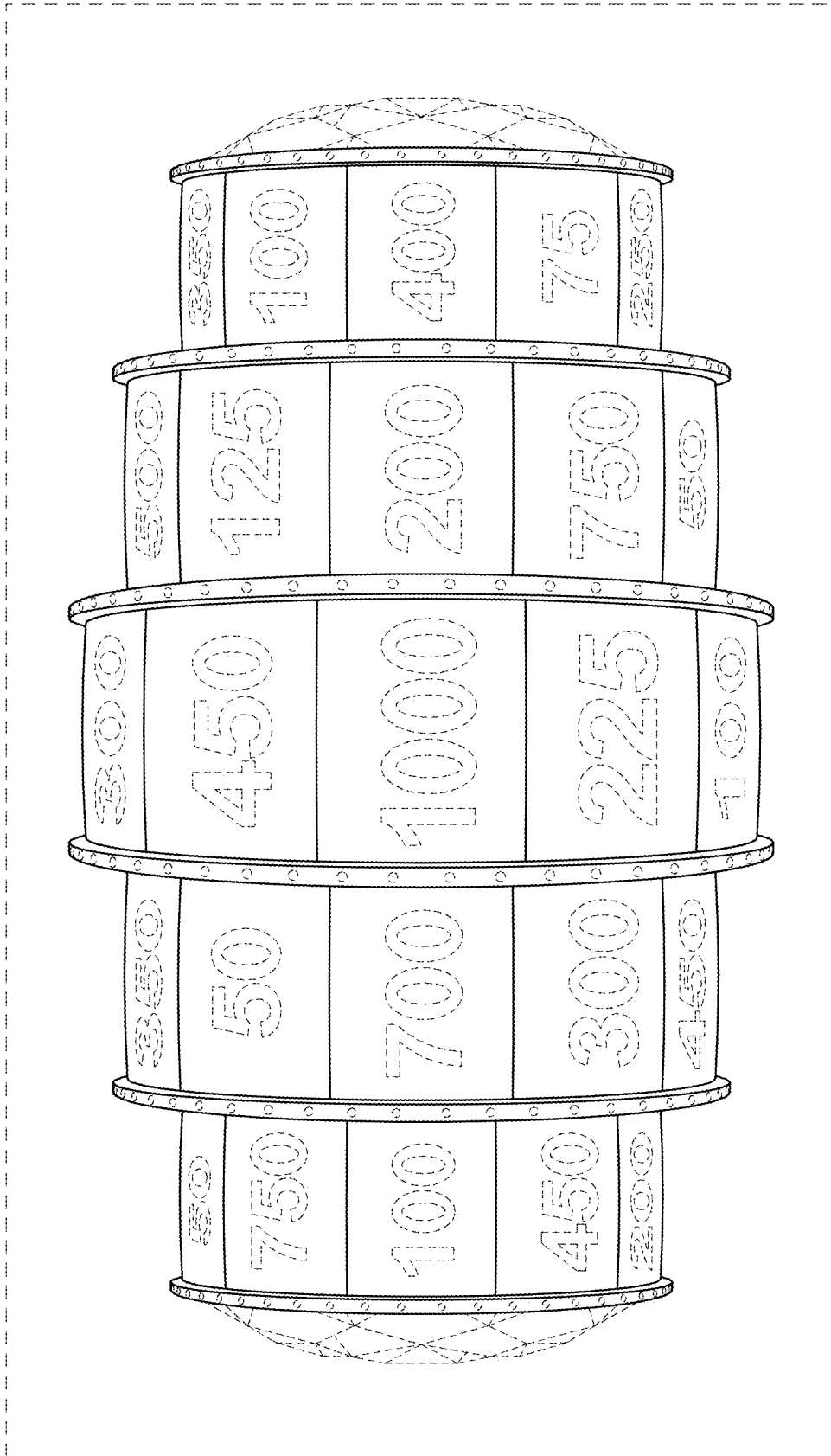


FIG. 7

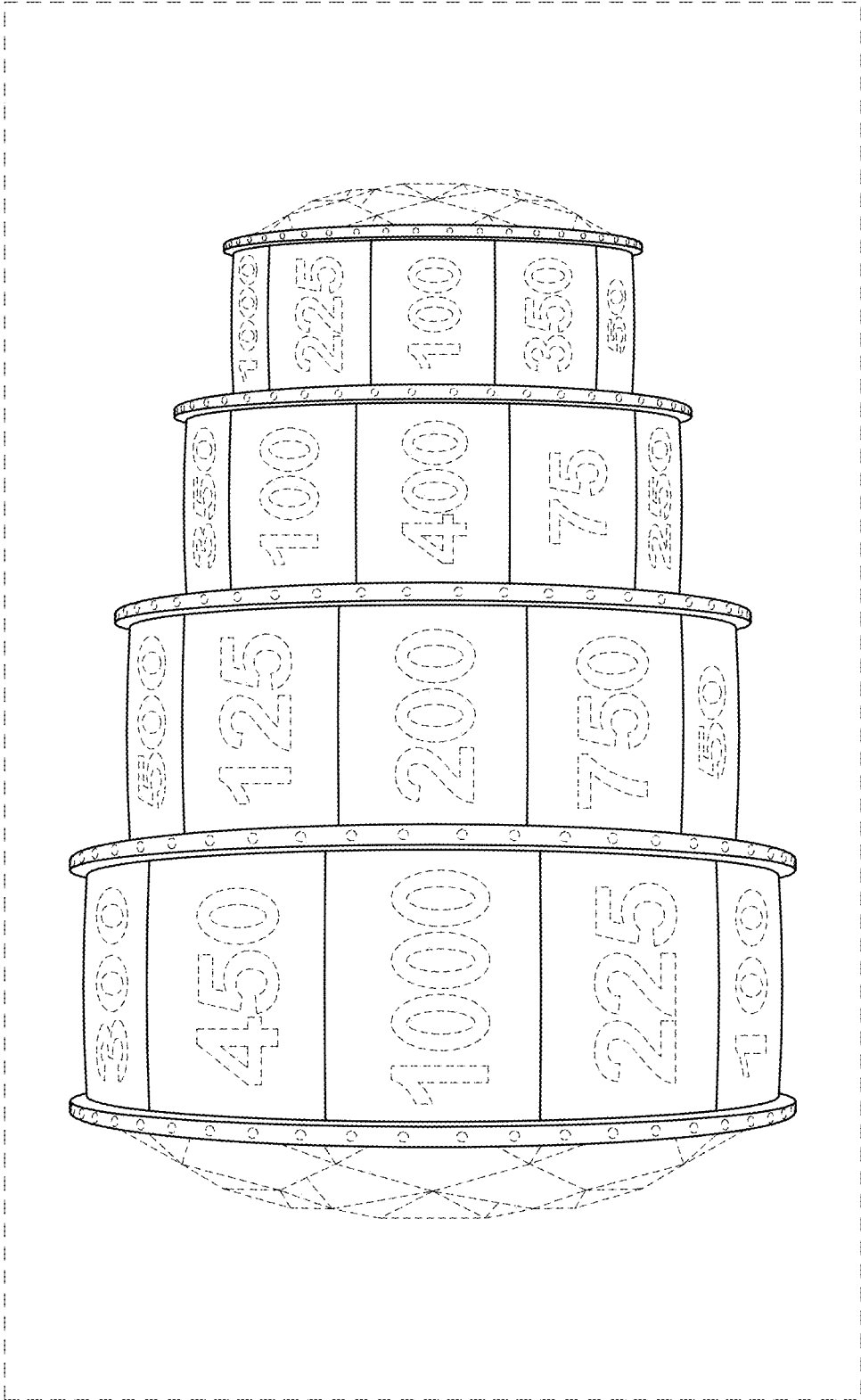


FIG. 8

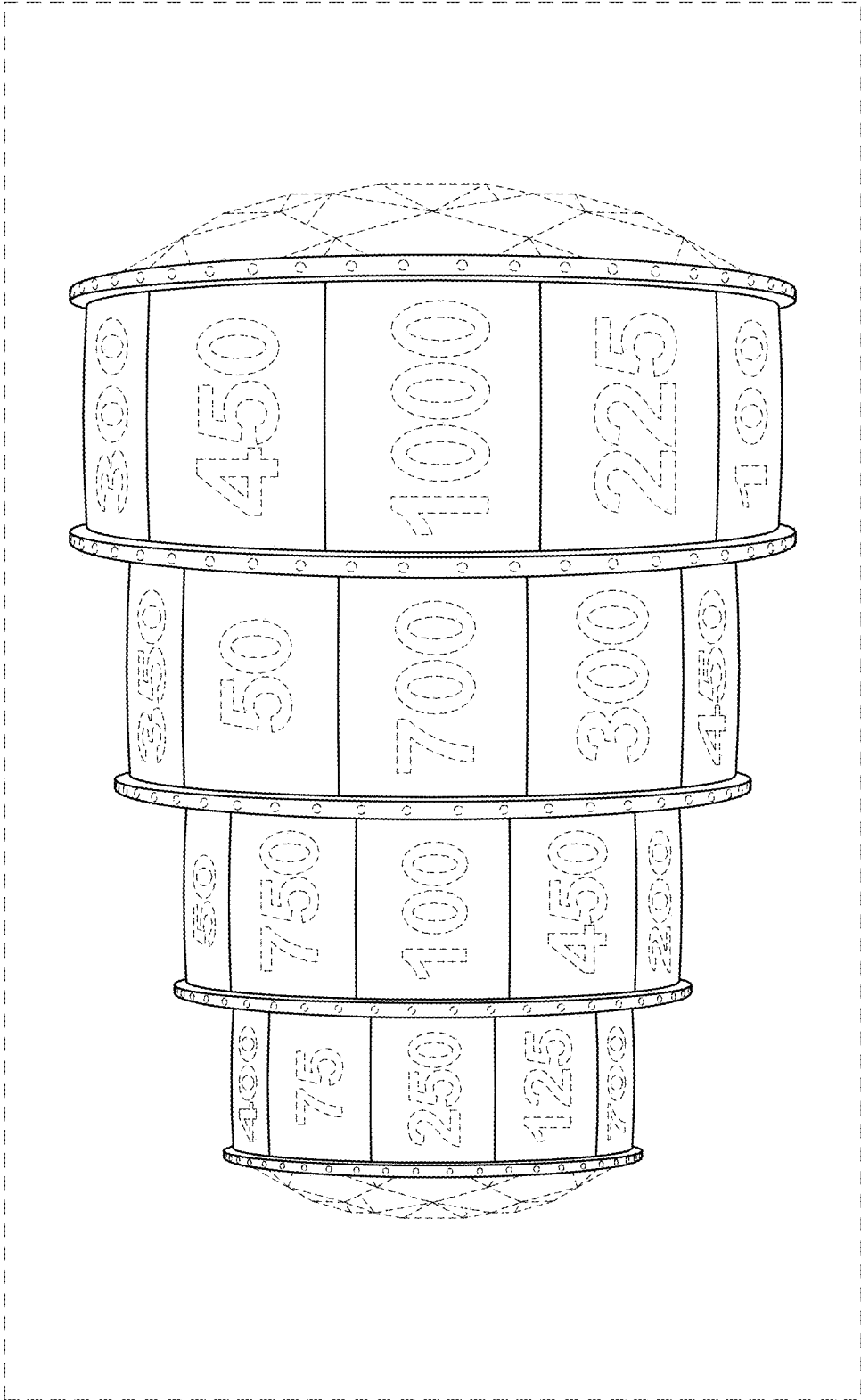


FIG. 9

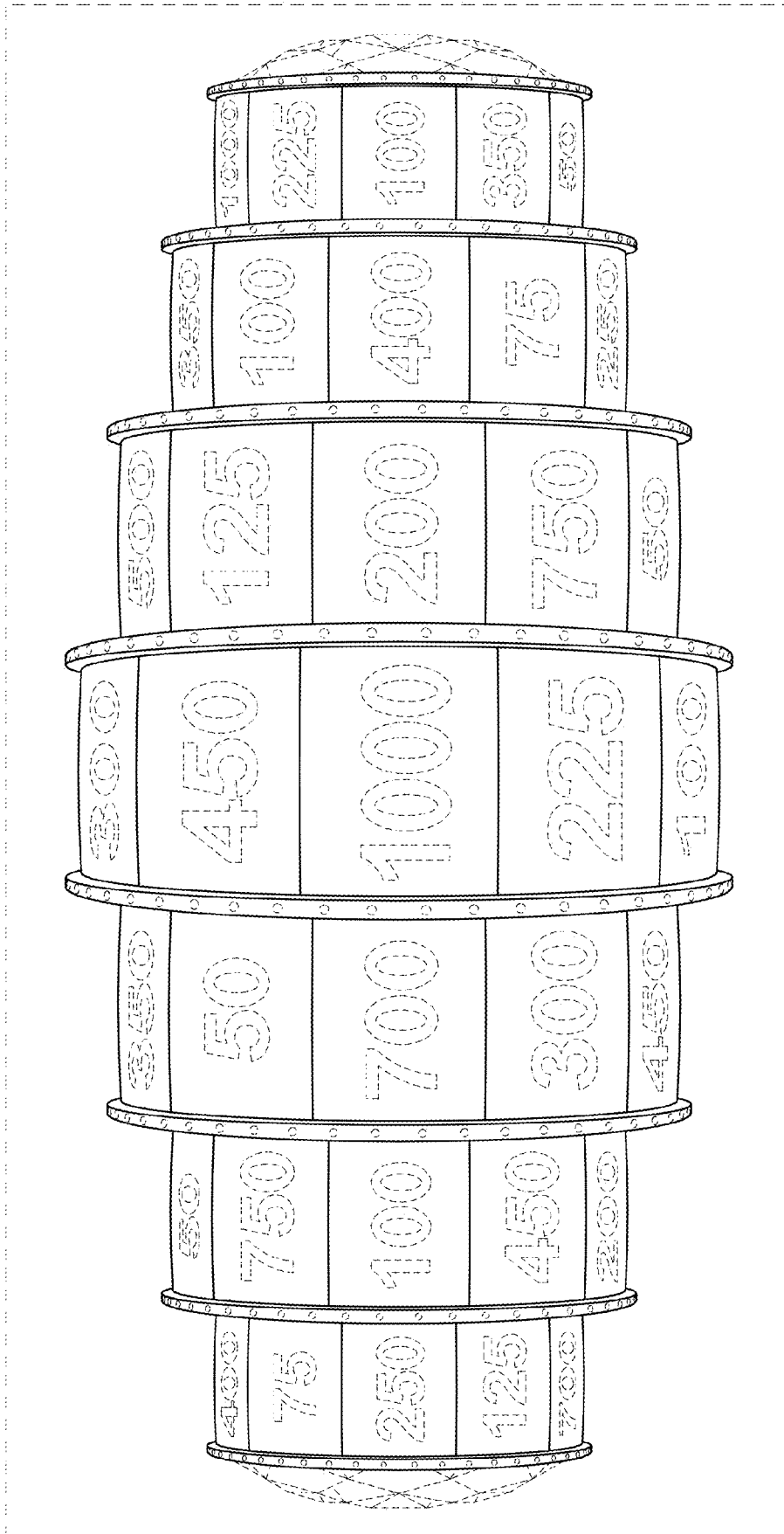


FIG. 10