



US00D854314S

(12) **United States Design Patent**
Burns et al.

(10) **Patent No.:** **US D854,314 S**

(45) **Date of Patent:** **** Jul. 23, 2019**

(54) **BELT CLIP ASSEMBLY**

(56) **References Cited**

(71) Applicant: **Hand E Holder Products, Inc.**, Ann Arbor, MI (US)

U.S. PATENT DOCUMENTS

(72) Inventors: **Michael Lawrence Burns**, Ann Arbor, MI (US); **Neal Evan Glazebrook**, Howell, MI (US); **Beau Zachary Keyes**, Dexter, MI (US); **Daniel Patrick Burns**, Fenton, MI (US); **John Mark Wilson**, Trenton, MI (US)

D467,068 S *	12/2002	Lewis	D3/215
D478,418 S *	8/2003	Badillo	A45F 5/02
			D3/218
D485,060 S *	1/2004	DeCotis	D3/215
D564,753 S *	3/2008	Tages	D3/218
D606,739 S *	12/2009	Fahrendorff	D3/218
D613,498 S *	4/2010	Tsai	D3/218
2009/0036175 A1*	2/2009	Brandenburg	A45F 5/02
			455/575.1

(73) Assignee: **Handholder Products, Inc.**, Ann Arbor, MI (US)

* cited by examiner

(**) Term: **15 Years**

Primary Examiner — Catherine R Oliver-Garcia
(74) *Attorney, Agent, or Firm* — Remenick PLLC

(21) Appl. No.: **29/640,256**

(22) Filed: **Mar. 13, 2018**

(57) **CLAIM**

The ornamental design for a belt clip assembly, as shown.

(51) **LOC (11) Cl.** **03-01**

(52) **U.S. Cl.**

USPC **D3/218**

(58) **Field of Classification Search**

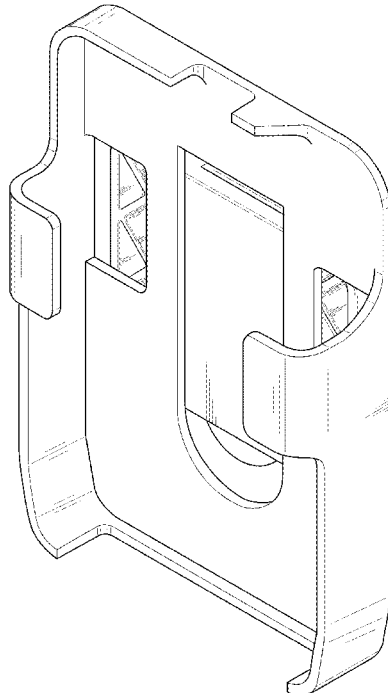
USPC D3/218–219, 215, 228, 269, 299, 201; 224/197, 199, 219, 222, 247, 267, 269, 224/271–272, 666, 668, 195; 206/305, 206/320; 24/3.12, 573.11, 580.11, 669; D14/217, 251, 253; 455/575.1–575.8
CPC A45C 2011/002; A45C 11/00; A45F 5/00; A45F 5/02; A45F 5/06; A45F 5/021; A45F 2200/0516; A45F 3/02; A45F 3/14; A45F 2011/002; A01K 97/10

See application file for complete search history.

DESCRIPTION

FIG. 1 is a perspective view of a belt clip assembly showing our new design;
FIG. 2 is a front view thereof;
FIG. 3 is a rear view thereof;
FIG. 4 is a right side view thereof;
FIG. 5 is a left side view thereof;
FIG. 6 is a top view thereof; and,
FIG. 7 is a bottom view thereof.

1 Claim, 6 Drawing Sheets



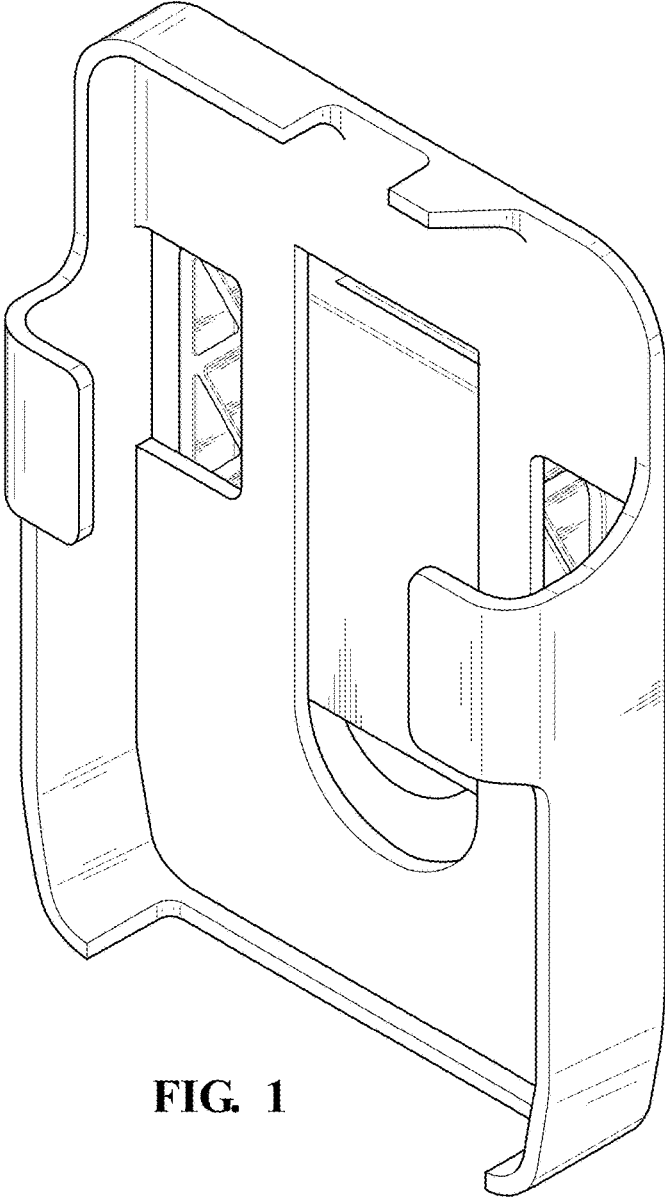


FIG. 1

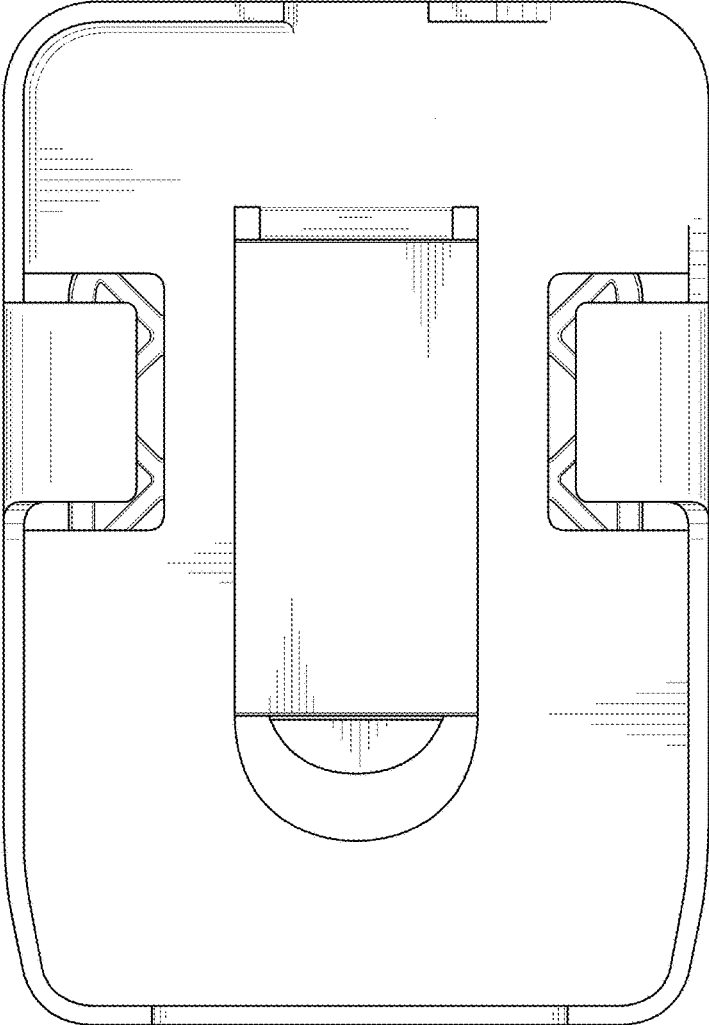


FIG. 2

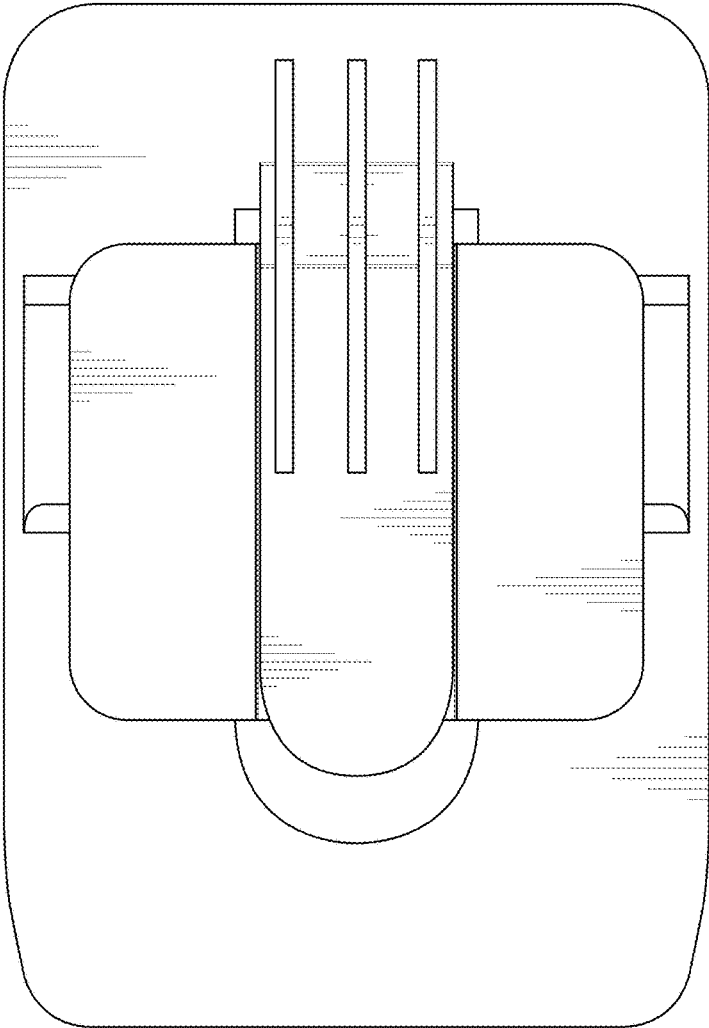


FIG. 3

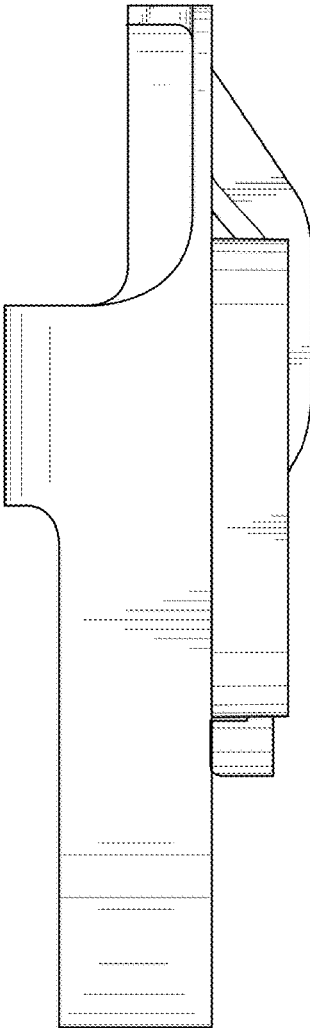


FIG. 4

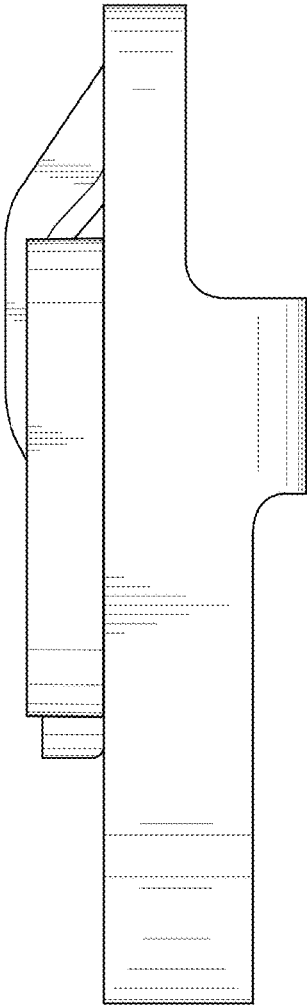


FIG. 5

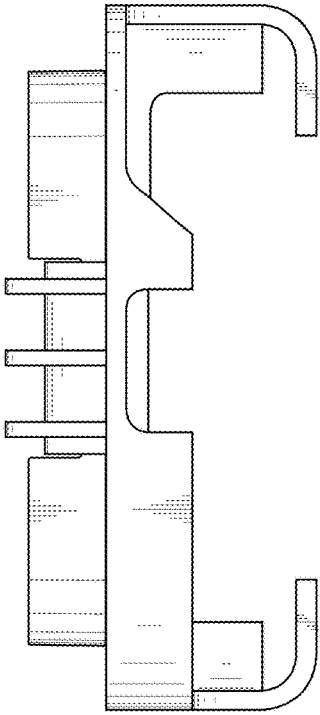


FIG. 6

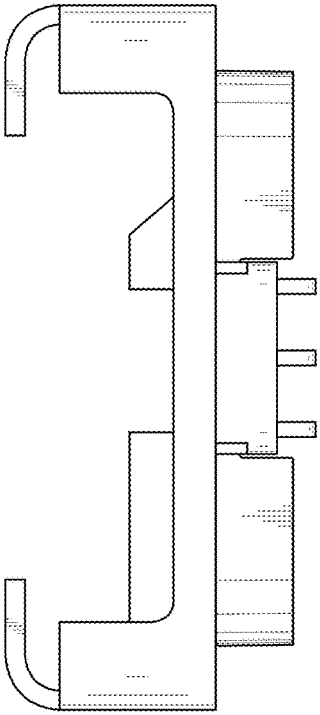


FIG. 7