



US0D1012881S

(12) **United States Design Patent**
Jimenez et al.

(10) **Patent No.:** **US D1,012,881 S**

(45) **Date of Patent:** **** Jan. 30, 2024**

(54) **MEDIA SYSTEM**

(71) Applicant: **Peloton Interactive, Inc.**, New York, NY (US)

(72) Inventors: **Juan Ernesto Jimenez**, Jersey City, NJ (US); **Trevor John Timson**, Brooklyn, NY (US); **Kevin Wayin Kan**, New York, NY (US); **Jason Alan Poure**, Hastings-on-Hudson, NY (US); **Richard Jakubowski**, Weehawken, NJ (US); **Hsiao-Yu Yu**, Taipei (TW); **Heidi Serene Farrell**, Brooklyn, NY (US)

(73) Assignee: **Peloton Interactive, Inc.**, New York, NY (US)

(**) Term: **15 Years**

(21) Appl. No.: **29/769,583**

(22) Filed: **Feb. 5, 2021**

(51) **LOC (14) Cl.** **14-01**

(52) **U.S. Cl.**
USPC **D14/204**

(58) **Field of Classification Search**
USPC D14/125, 168, 172, 204; D16/200, 202, D16/208, 232

(Continued)

(56) **References Cited**

U.S. PATENT DOCUMENTS

D384,087 S * 9/1997 Yamagami D16/202
D558,788 S * 1/2008 Yu D14/496

(Continued)

FOREIGN PATENT DOCUMENTS

CN 306190603 11/2020
CN 306256558 12/2020

(Continued)

OTHER PUBLICATIONS

[Peloton launches Guide, a camera system for strength training], available in nbcnews.com, announced Year 2021 [online], [site

visited Jul. 10, 2023], Internet URL: <https://www.nbcnews.com/select/shopping/peloton-guide-camera-ncna1283603> (Year: 2021).*

Primary Examiner — Khawaja Anwar

Assistant Examiner — Megan Tiana Rakos

(74) *Attorney, Agent, or Firm* — Haynes and Boone, LLP

(57) **CLAIM**

The ornamental design for a media system, as shown and described.

DESCRIPTION

FIG. 1 is a front, right, and top perspective view of a hub of a media system embodying the new design and illustrating the hub in a first configuration with a cover slid open for camera or other sensor operation;
FIG. 2 is a rear, left, and bottom perspective view thereof;
FIG. 3 is a front elevational view thereof;
FIG. 4 is a rear elevational view thereof;
FIG. 5 is a left side view thereof;
FIG. 6 is a right side view thereof;
FIG. 7 is a top plan view thereof;
FIG. 8 is a bottom plan view thereof;
FIG. 9 is a front, right, and top perspective view of the hub in a second configuration with the cover slid closed to cover a camera or sensor and prevent camera or sensor operation;
FIG. 10 is a front elevational view thereof;
FIG. 11 is a rear elevational view thereof;
FIG. 12 is a left side view thereof;
FIG. 13 is a right side view thereof;
FIG. 14 is a top plan view thereof;
FIG. 15 is a bottom plan view thereof;
FIG. 16 is a front, right, and top perspective view of a mount of the media system embodying the new design and illustrating the mount in a closed configuration;
FIG. 17 is a rear, left, and bottom perspective view thereof;
FIG. 18 is a front elevational view thereof;
FIG. 19 is a rear elevational view thereof;
FIG. 20 is a left side view thereof;
FIG. 21 is a right side view thereof;
FIG. 22 is a top plan view thereof;

(Continued)

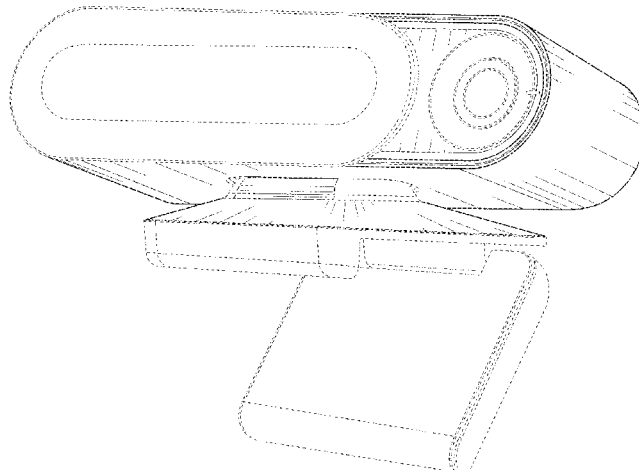


FIG. 23 is a bottom plan view thereof;
 FIG. 24 is a front, right, and top perspective view of the mount in an open configuration;
 FIG. 25 is a front and bottom perspective view of the hub of FIG. 1;
 FIG. 26 is a right side view of the hub of FIG. 1 connected to the mount of FIG. 16 and illustrating the hub in a first position;
 FIG. 27 is a right side view of the hub of FIG. 1 connected to the mount of FIG. 16 and illustrating the hub in a second position;
 FIG. 28 is a front, right, and bottom perspective view of the hub of FIG. 1 connected to the mount of FIG. 24 and illustrating the hub in a third position; and,
 FIG. 29 is a front, right, and bottom perspective view of the hub of FIG. 1 connected to the mount of FIG. 24 and illustrating the hub in a fourth position.
 The broken lines are shown for the purpose of illustrating portions of the media system or portion thereof and/or environmental matter and form no part of the claimed design. The dot-dash broken lines define the bounds of the claimed design and form no part thereof.

1 Claim, 25 Drawing Sheets

(58) **Field of Classification Search**

CPC H04R 1/023; H04R 1/026
 See application file for complete search history.

(56)

References Cited

U.S. PATENT DOCUMENTS

D641,388	S *	7/2011	Shih	D16/202
D649,945	S *	12/2011	Kim	D14/125
D709,117	S *	7/2014	Gan	D16/202
D763,190	S	8/2016	Akana et al.		
D773,431	S *	12/2016	Holzer	D14/188
9,527,624	B1 *	12/2016	Phipps	A47K 10/32
D775,679	S *	1/2017	Klein	D16/202
D781,799	S *	3/2017	Park	D14/125
D785,580	S *	5/2017	Yu	H04N 21/4223 D14/125
D865,029	S	10/2019	Fook		
D912,717	S *	3/2021	Russo	D16/202
D951,320	S *	5/2022	Pang	D16/200
D951,323	S *	5/2022	Wu	D16/202
D970,580	S *	11/2022	Zhao	D16/202
D973,119	S *	12/2022	Zhang	D16/202
D975,053	S *	1/2023	Ma	D14/214
D988,385	S *	6/2023	Ju	D16/208
D991,309	S *	7/2023	Zhao	D16/202

FOREIGN PATENT DOCUMENTS

EM	008128896-0001	8/2020
JP	S61-9779 U	1/1986
JP	1577402	5/2017
WO	DM/200 649	6/2019

* cited by examiner

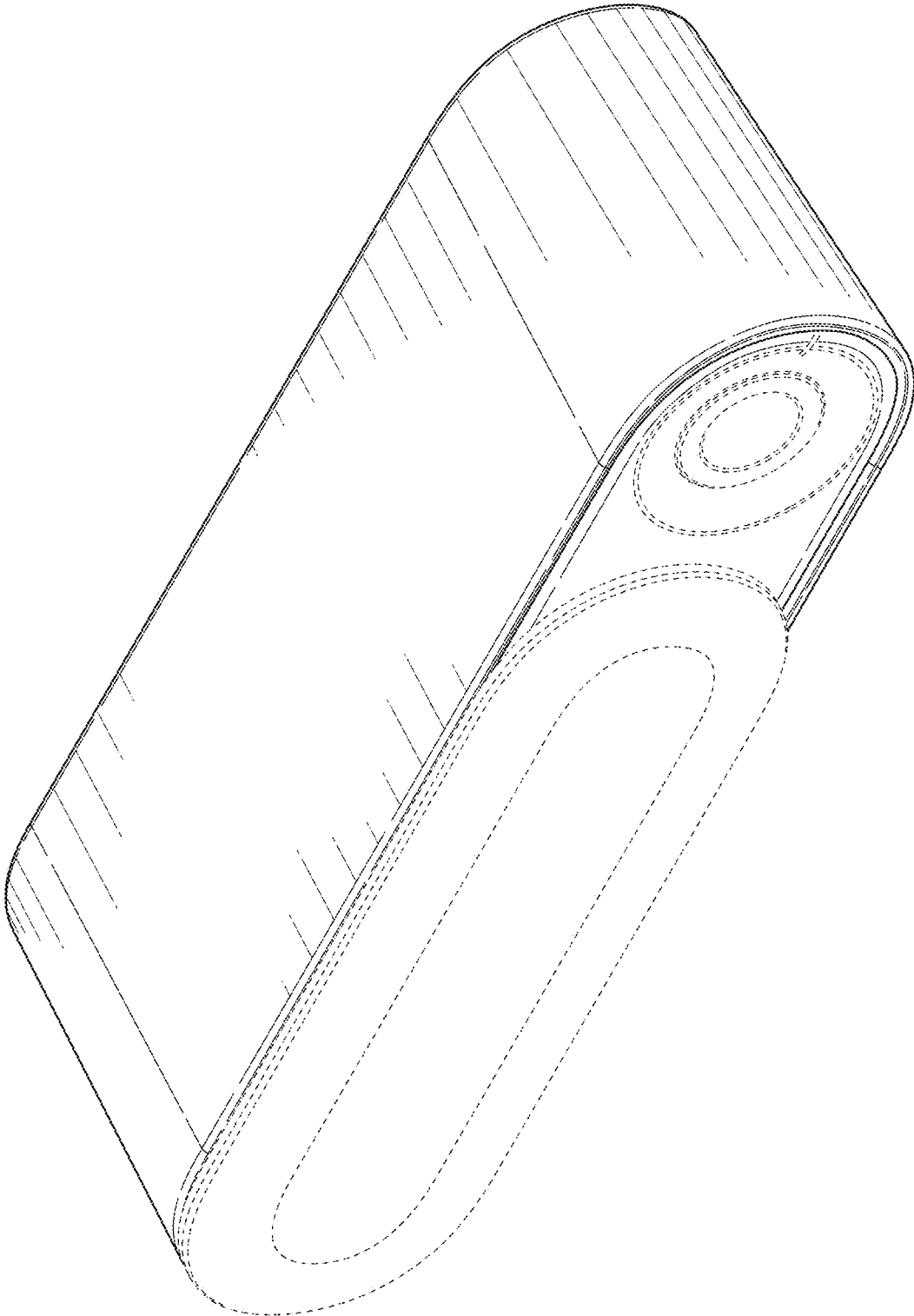


FIG. 1

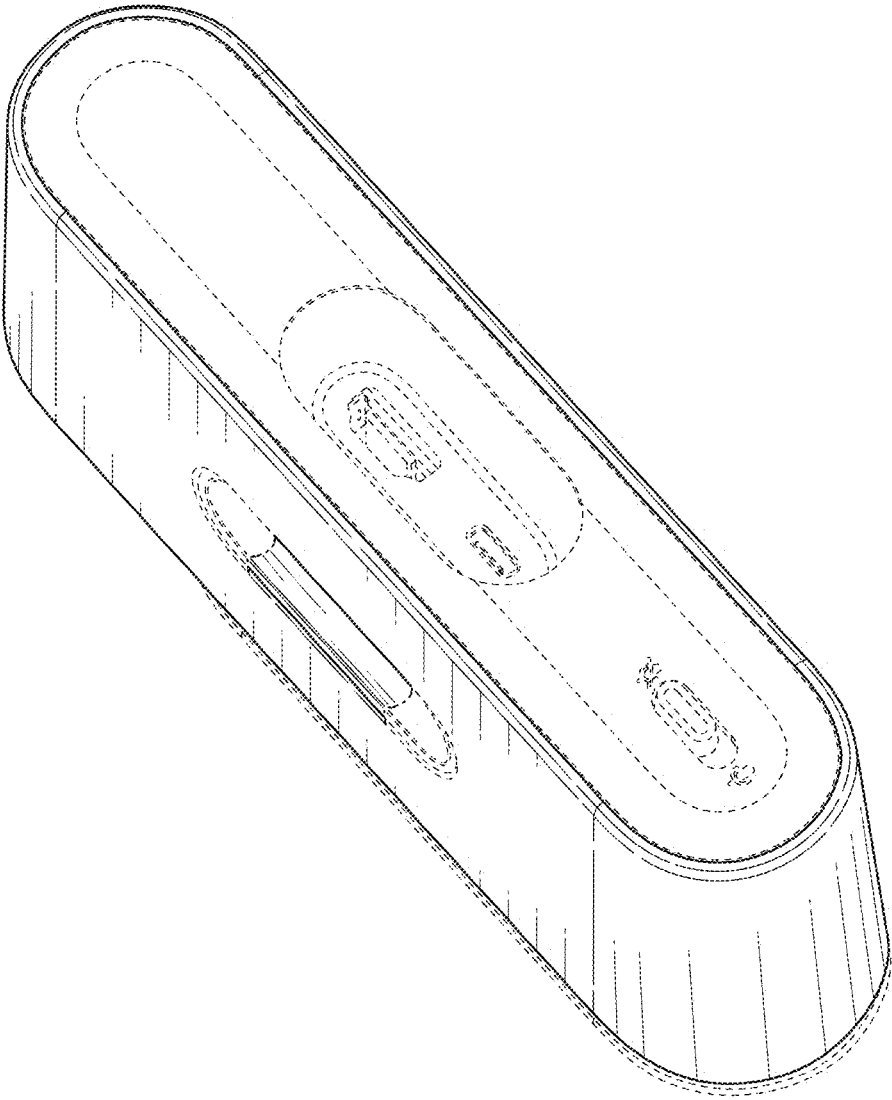


FIG. 2

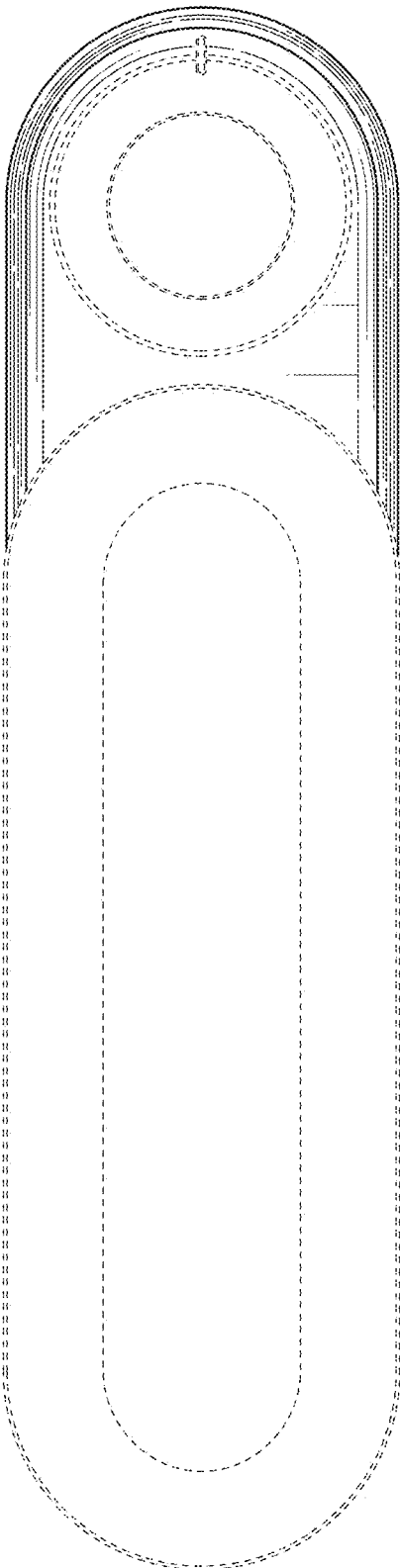


FIG. 3

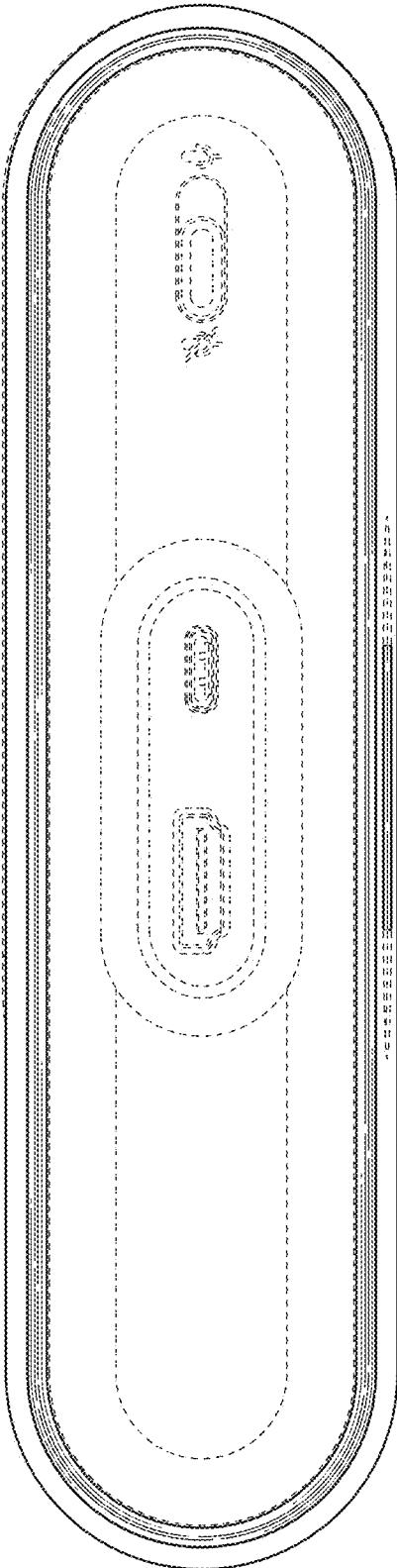


FIG. 4

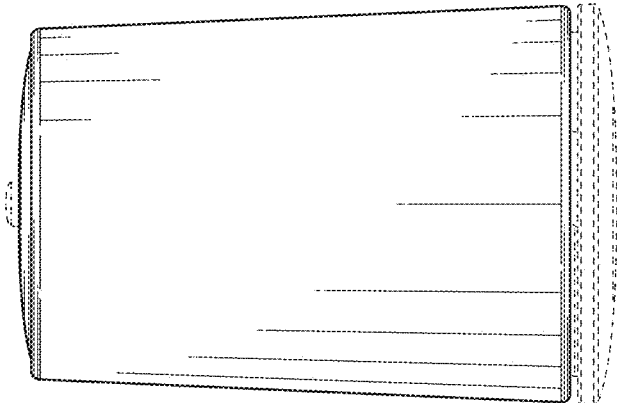


FIG. 5

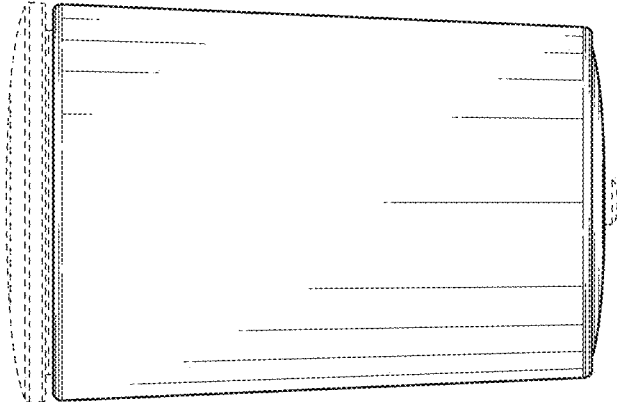


FIG. 6

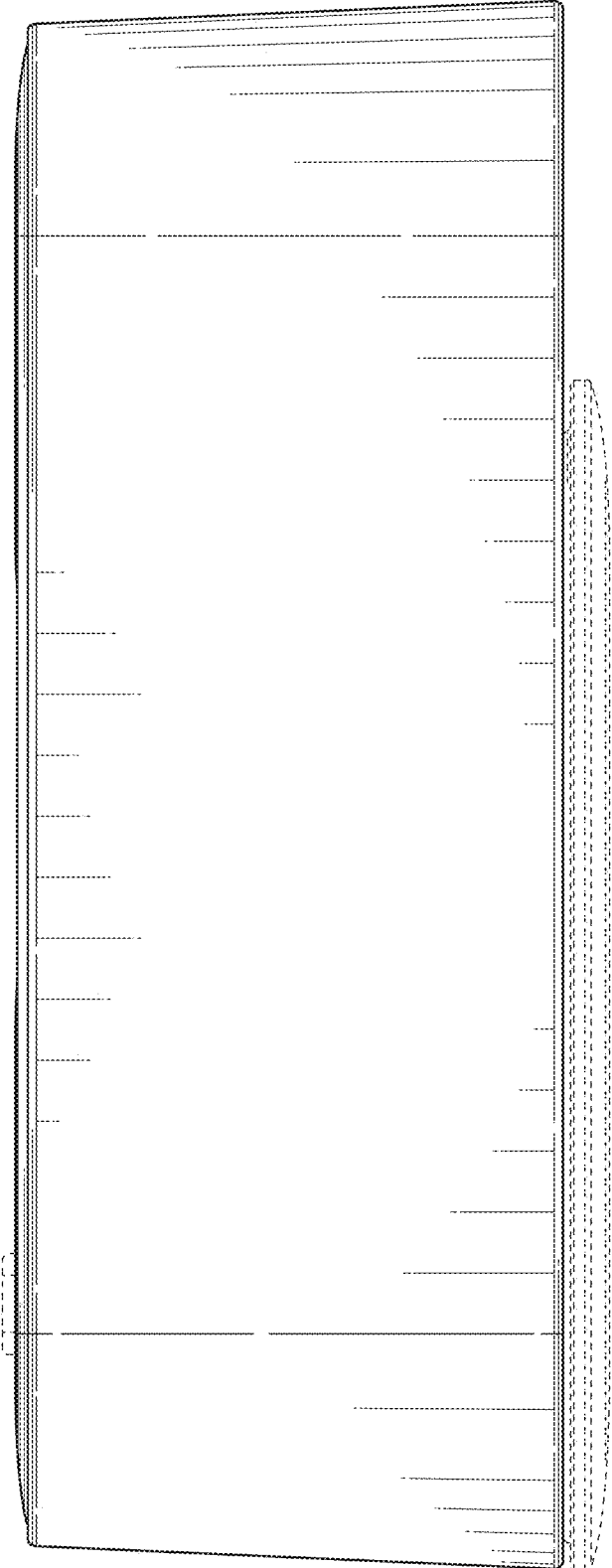


FIG. 7

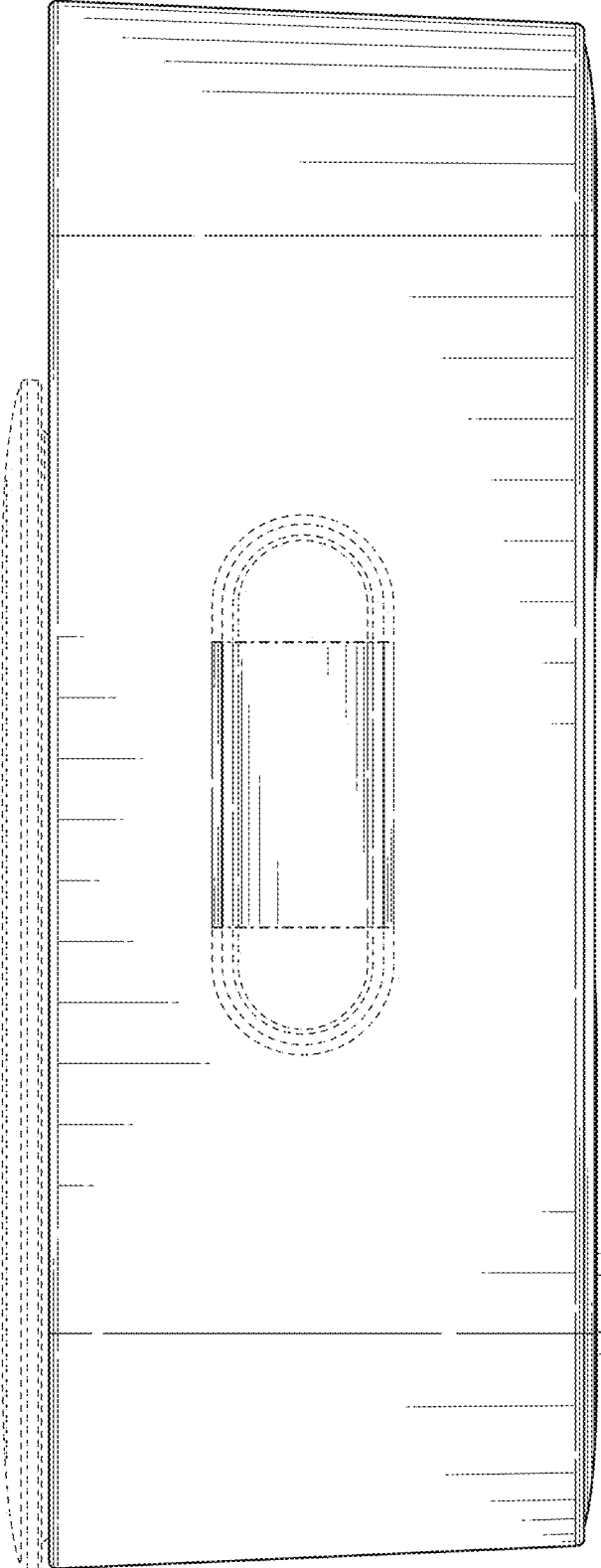


FIG. 8

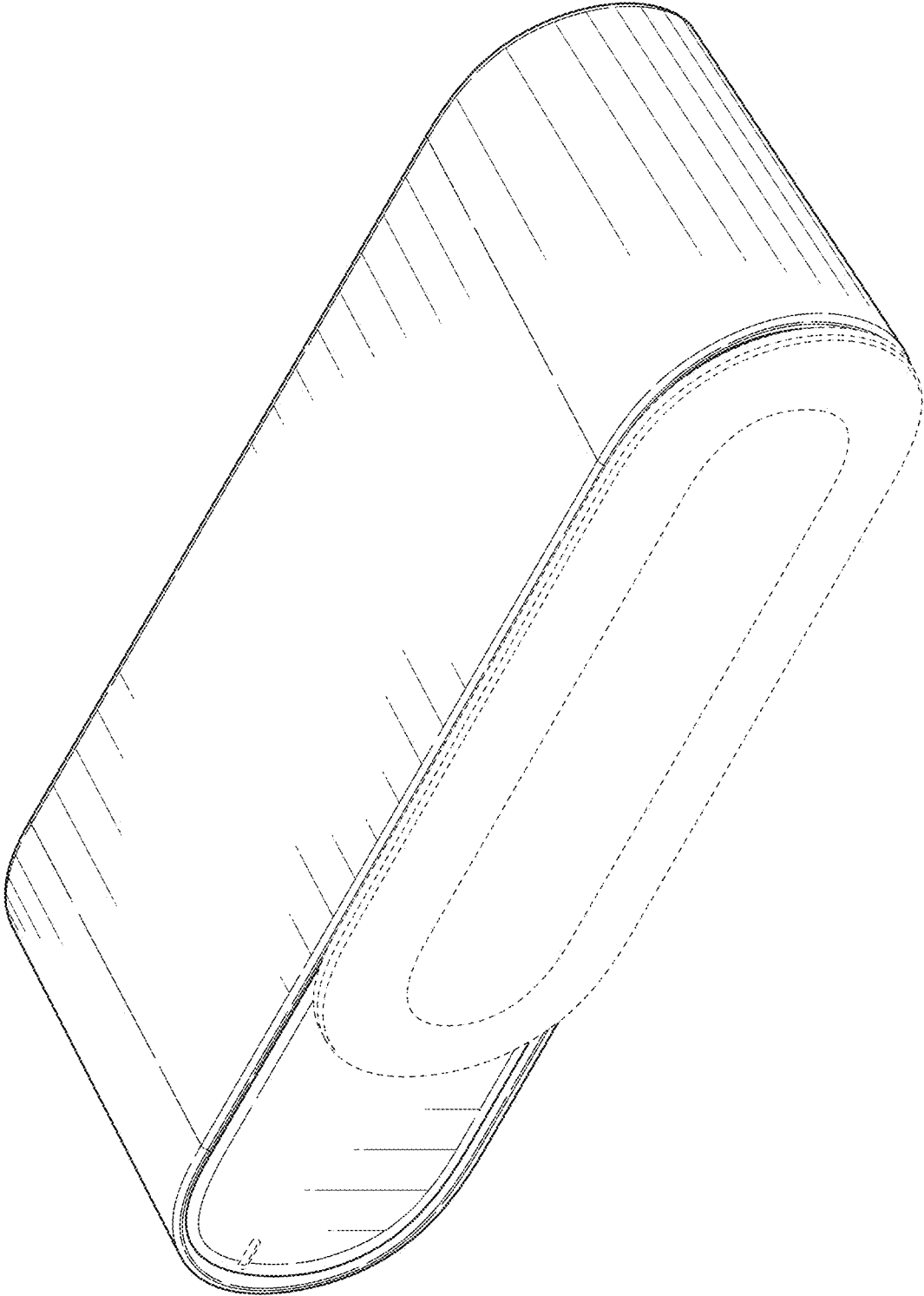


FIG. 9

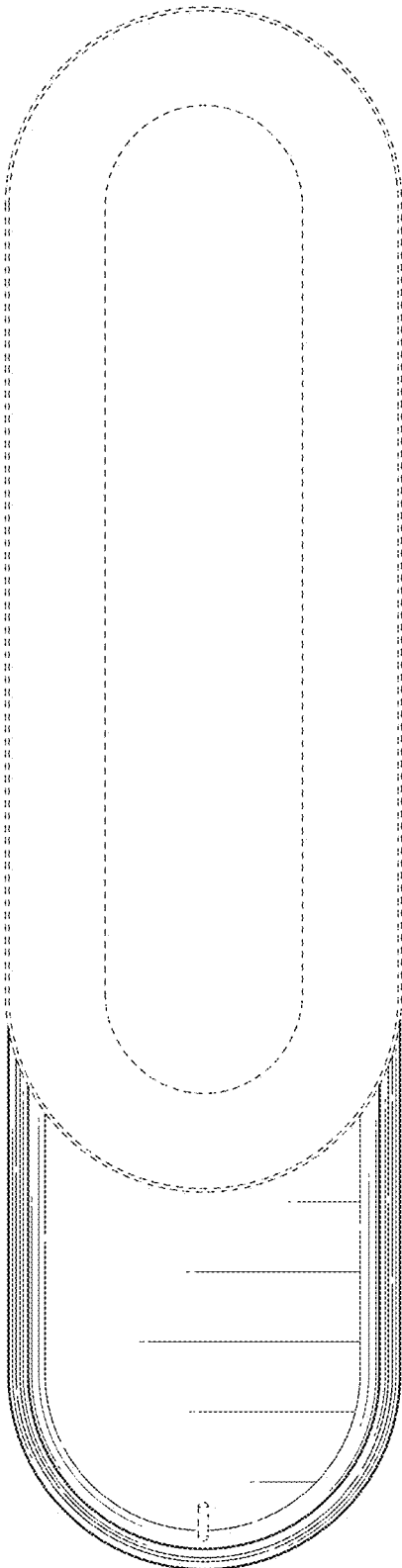


FIG. 10

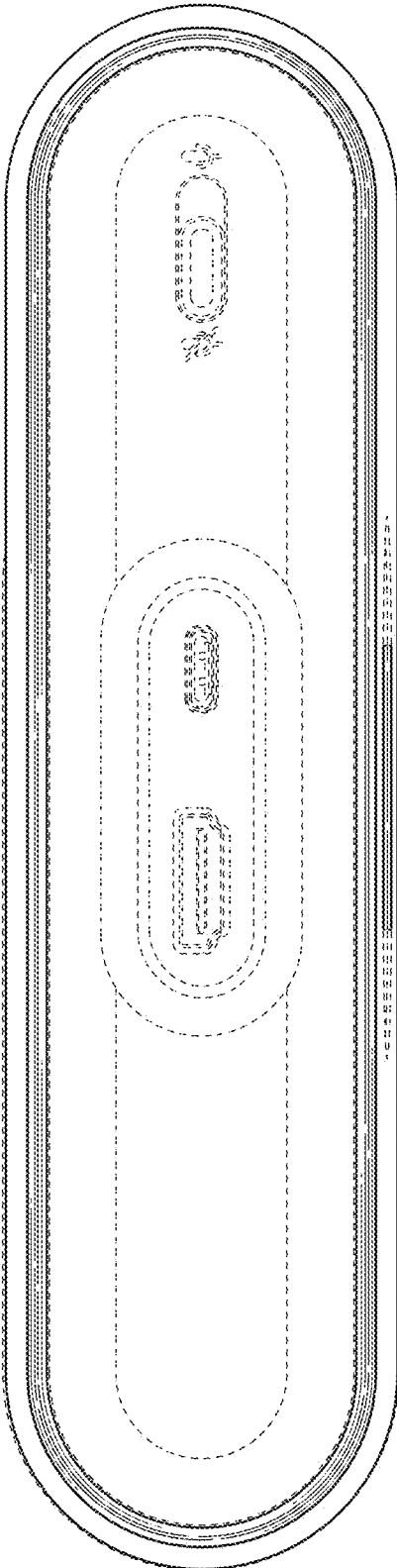


FIG. 11

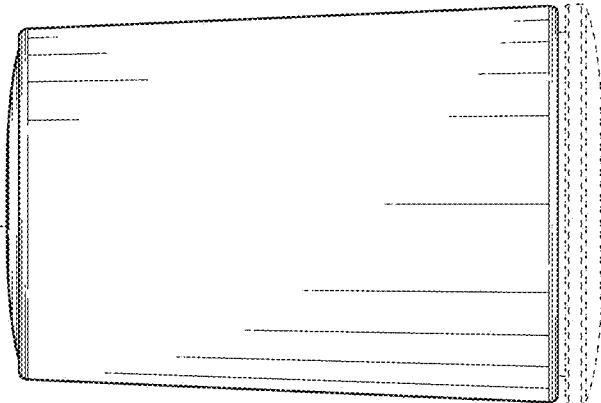


FIG. 12

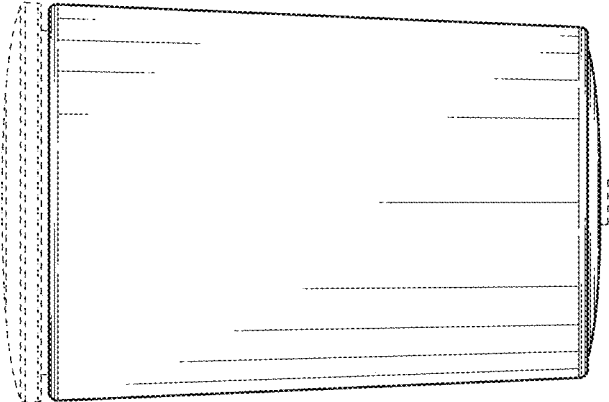


FIG. 13

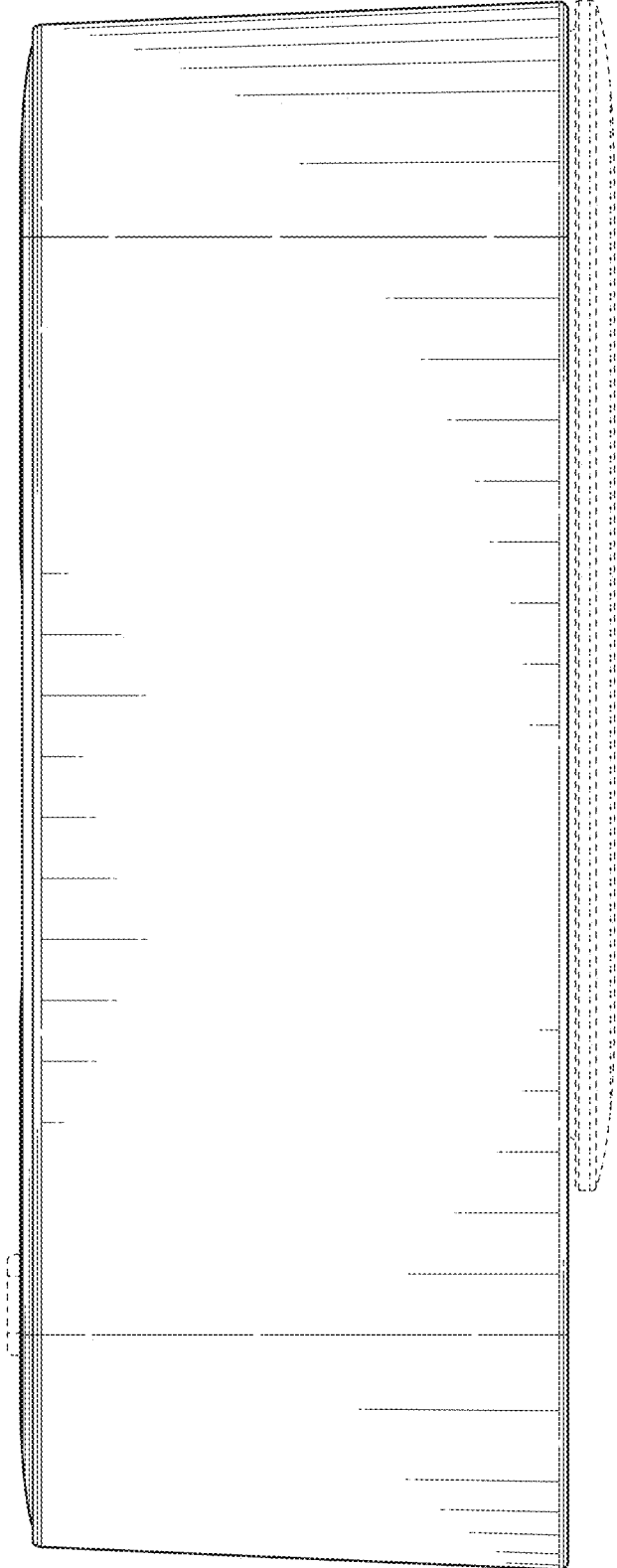


FIG. 14

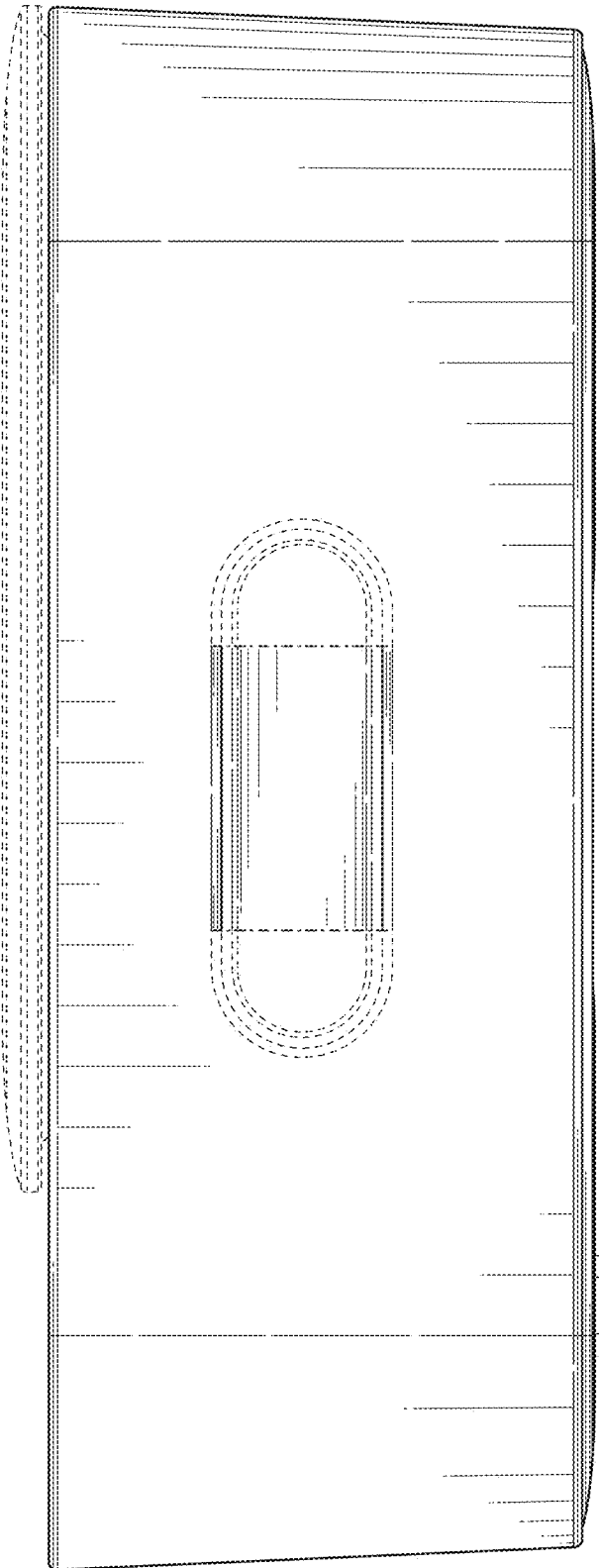


FIG. 15

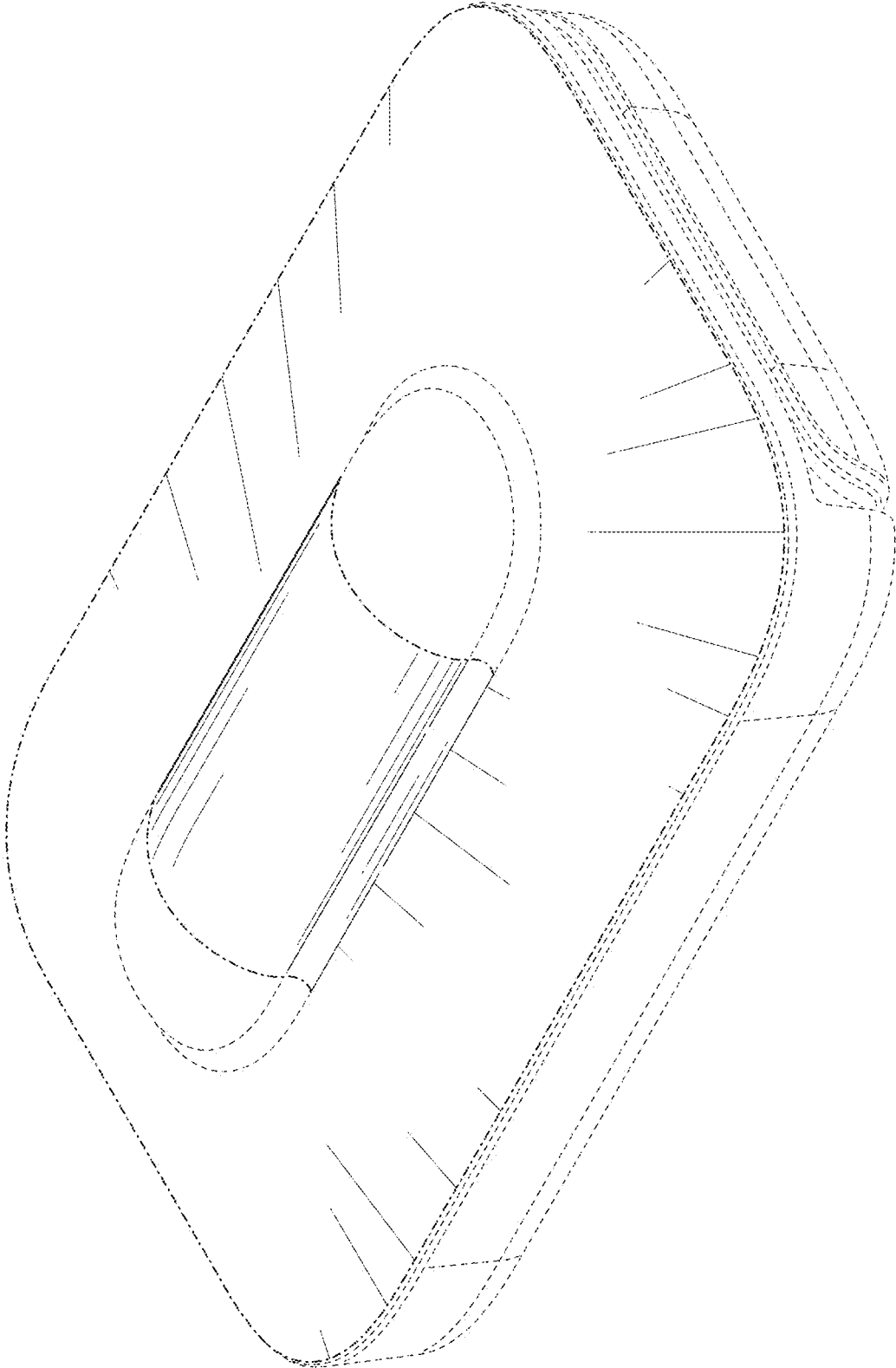


FIG. 16

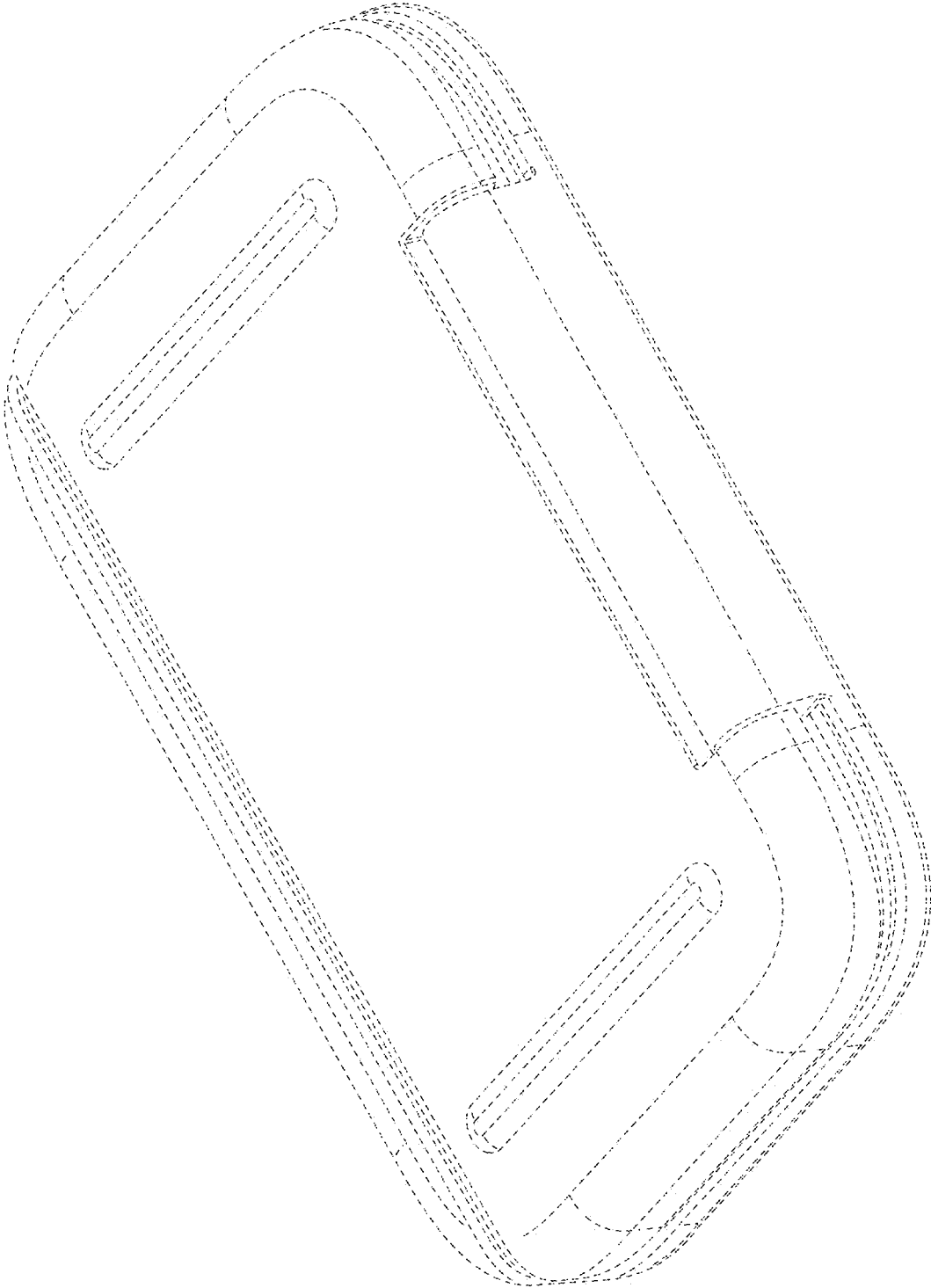


FIG. 17

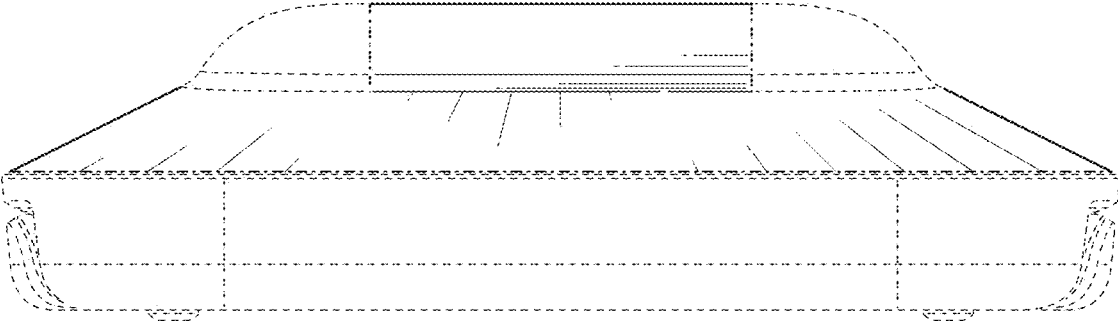


FIG. 18

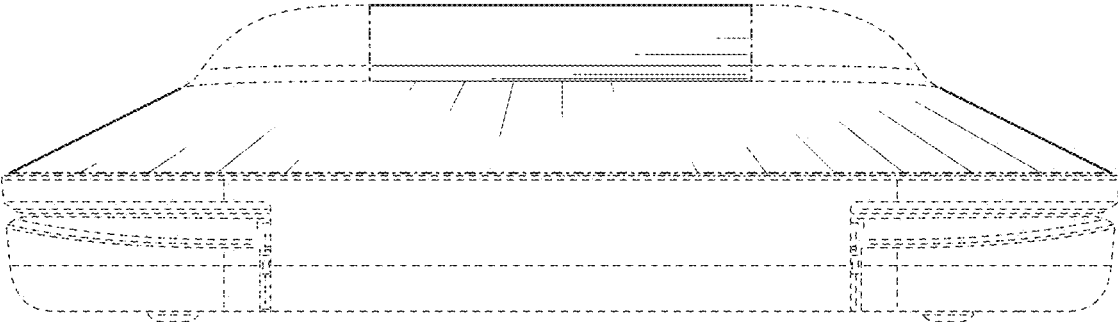


FIG. 19

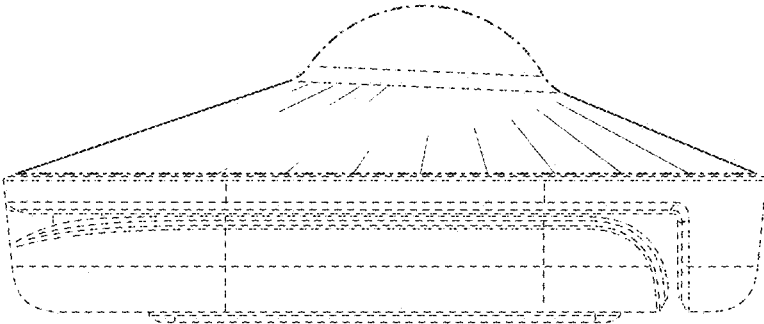


FIG. 20

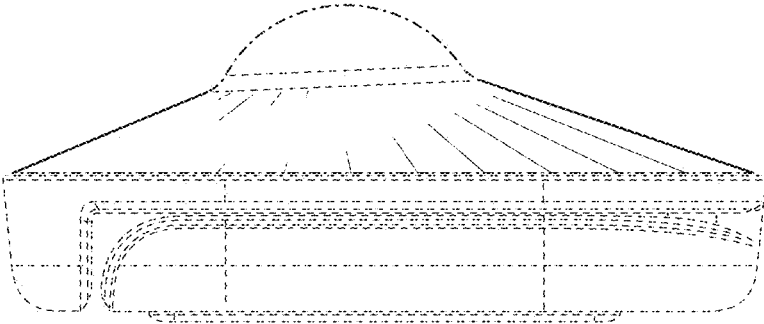


FIG. 21

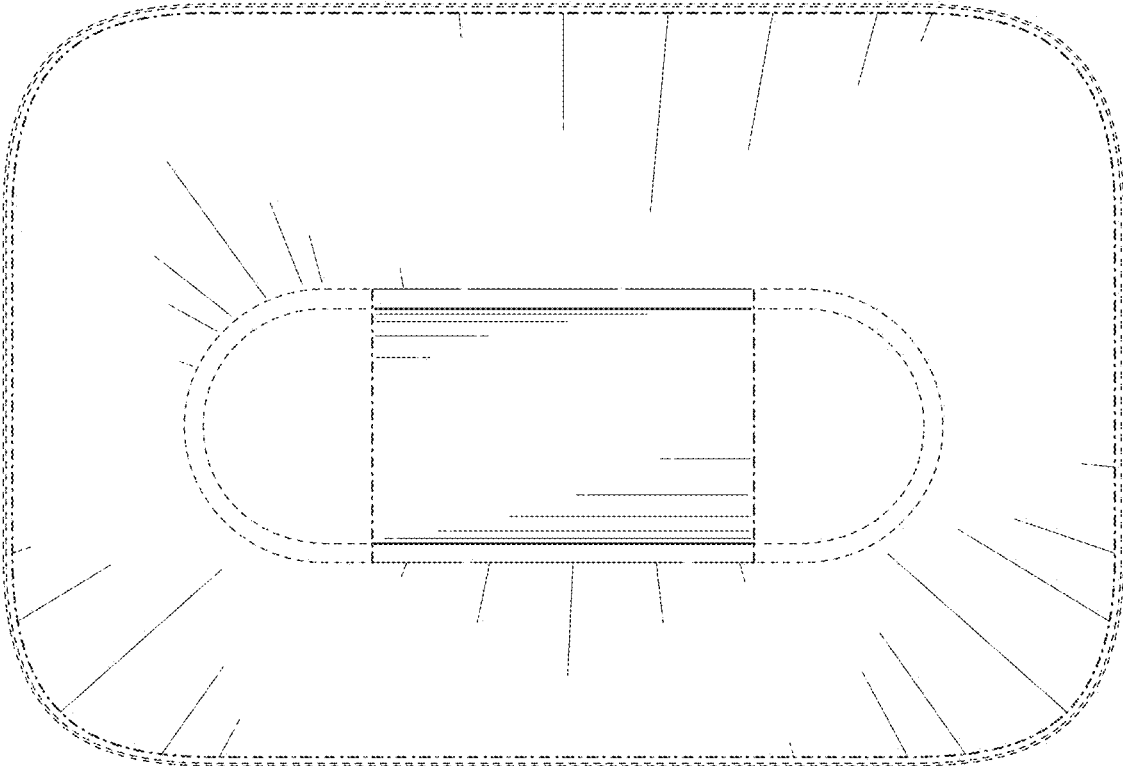


FIG. 22

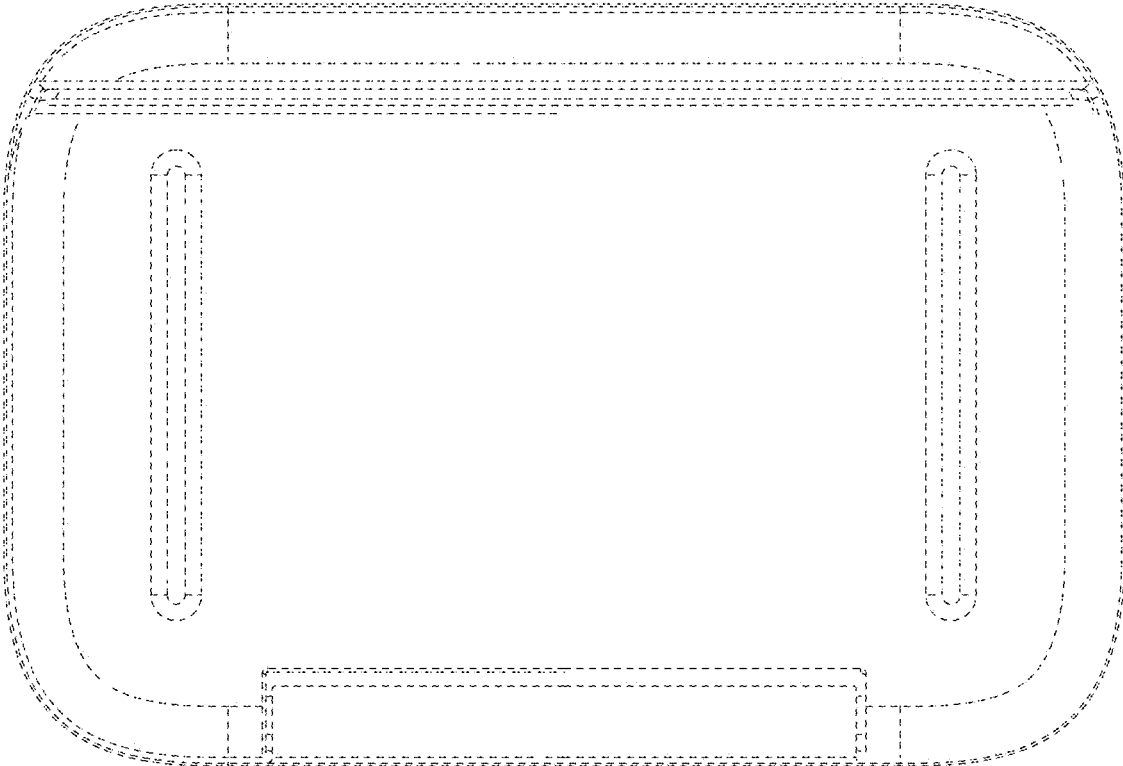


FIG. 23

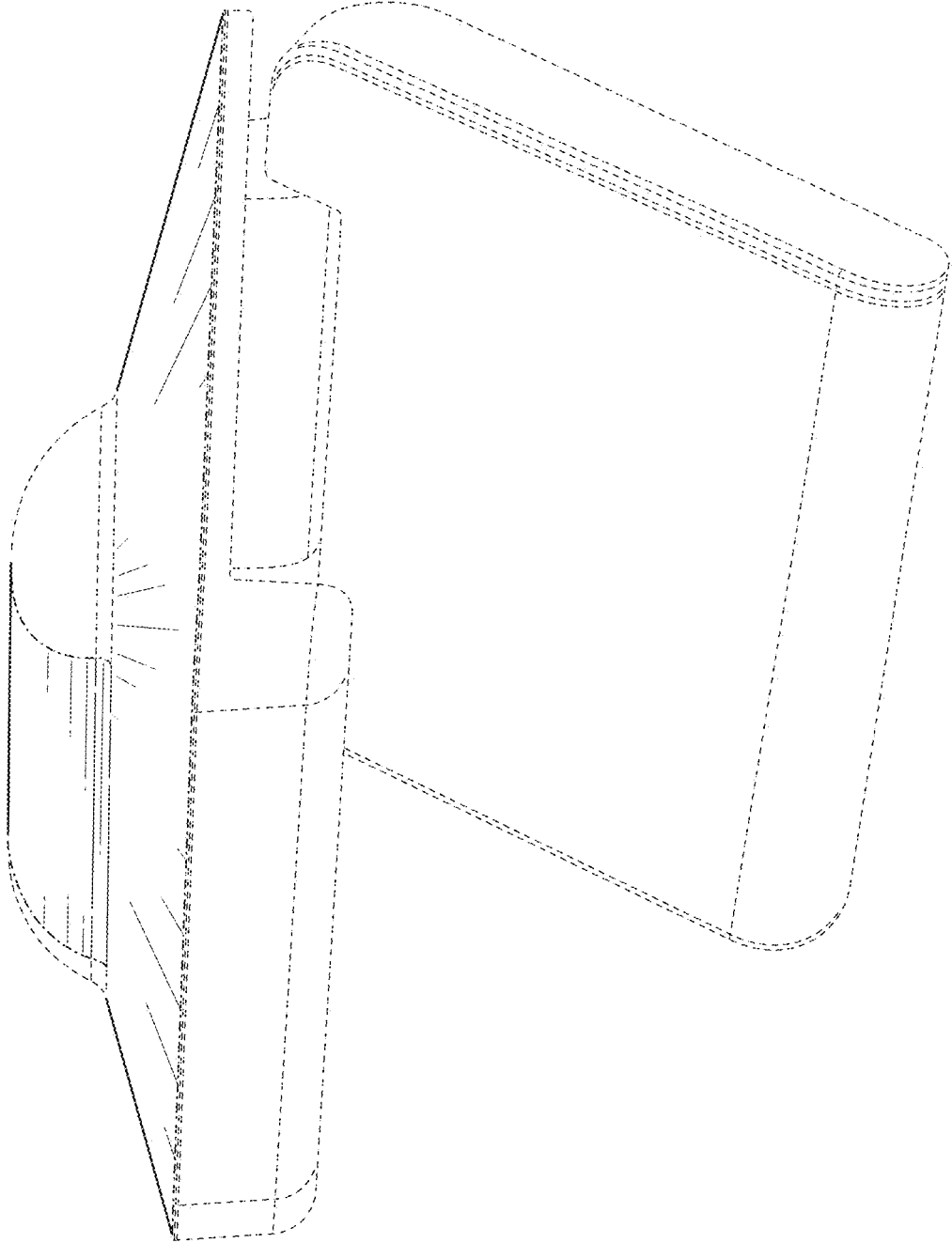


FIG. 24

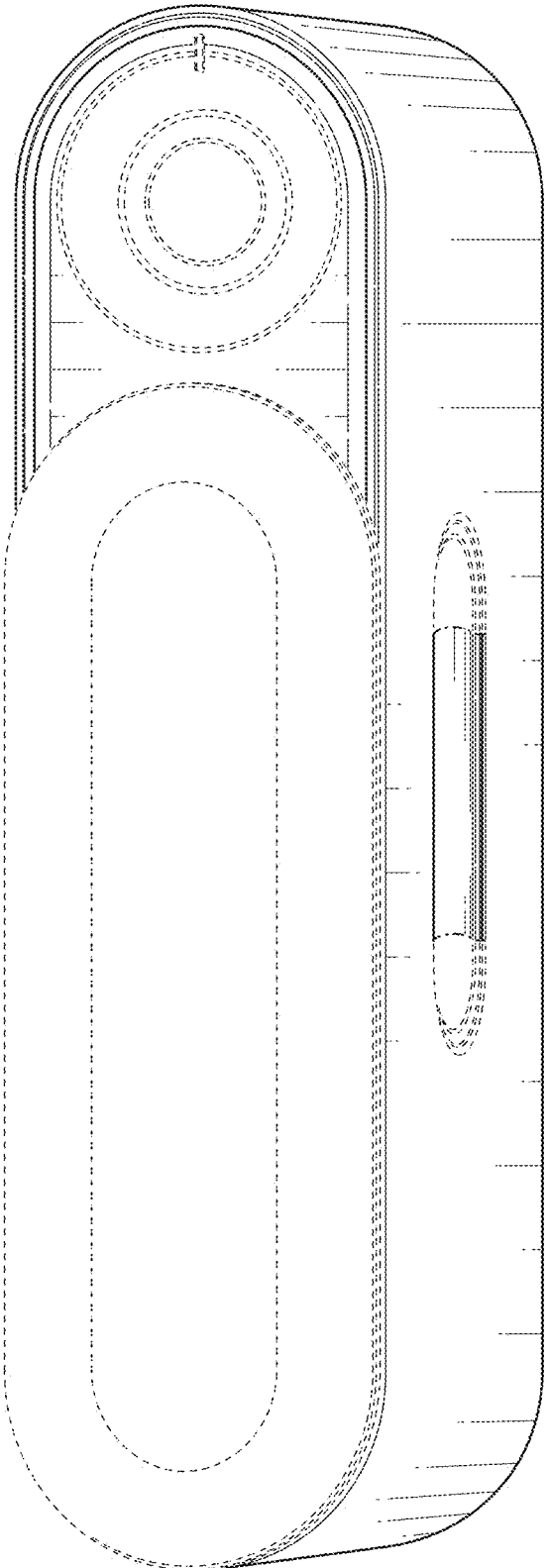


FIG. 25

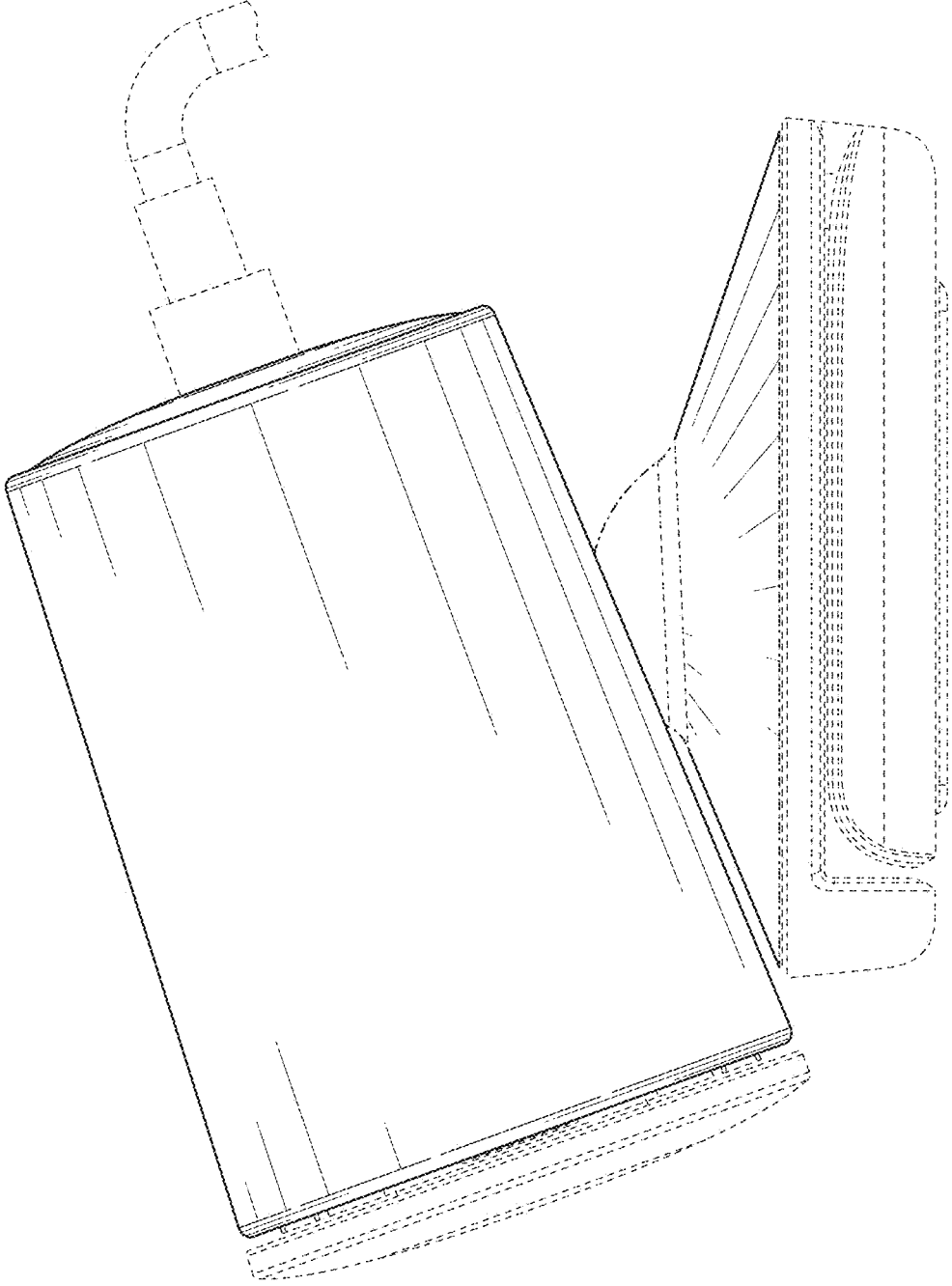


FIG. 26

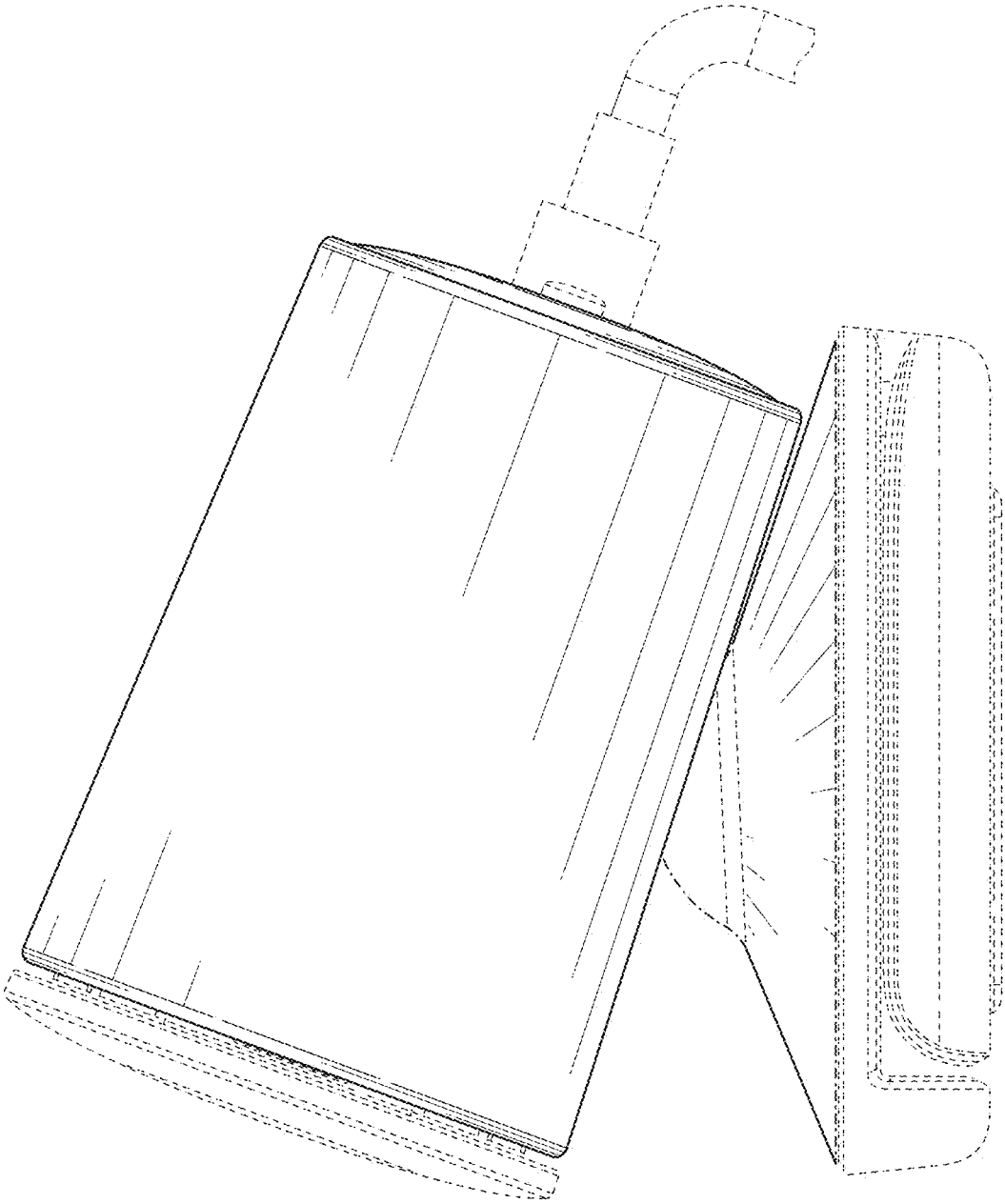


FIG. 27

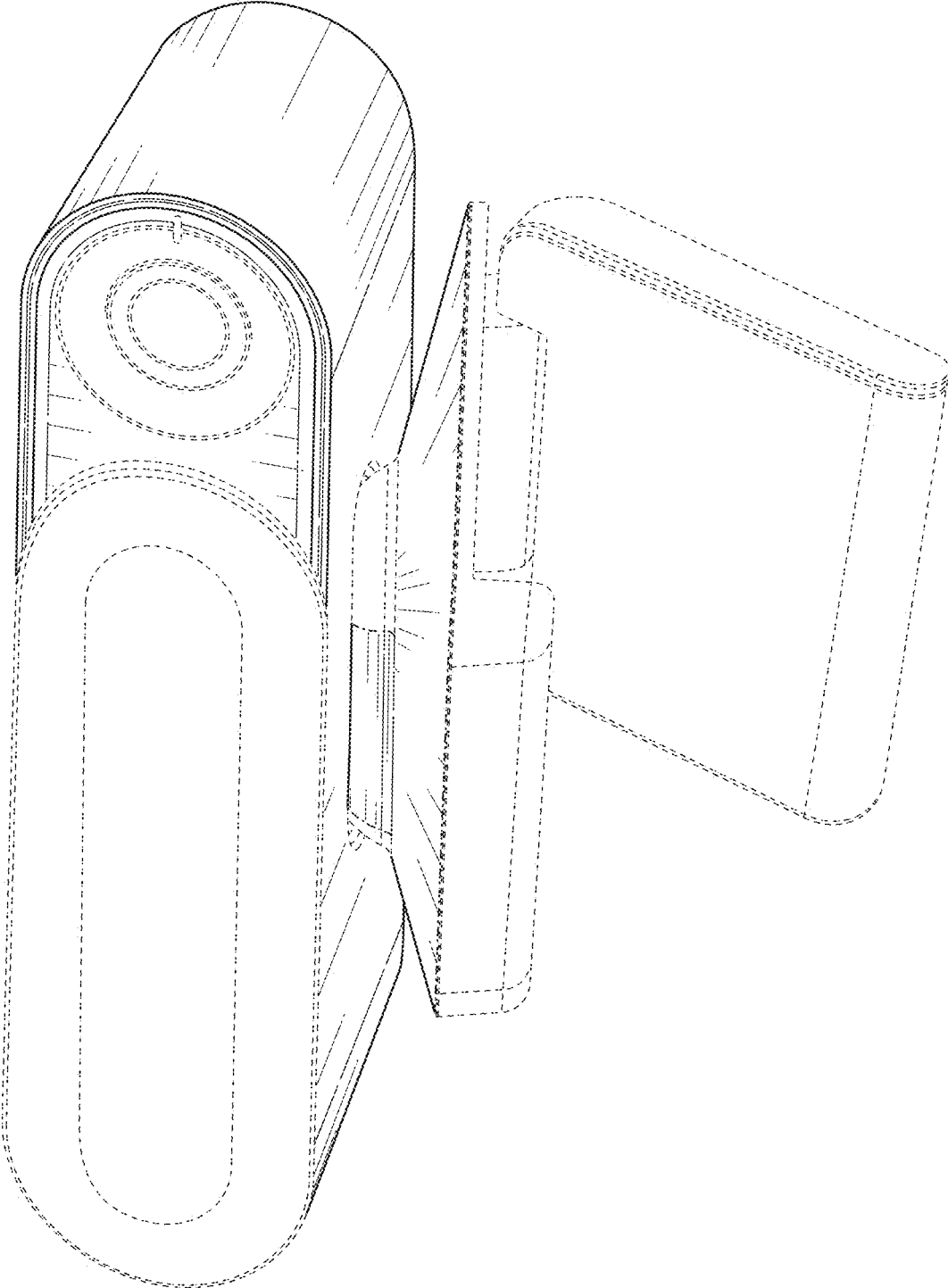


FIG. 28

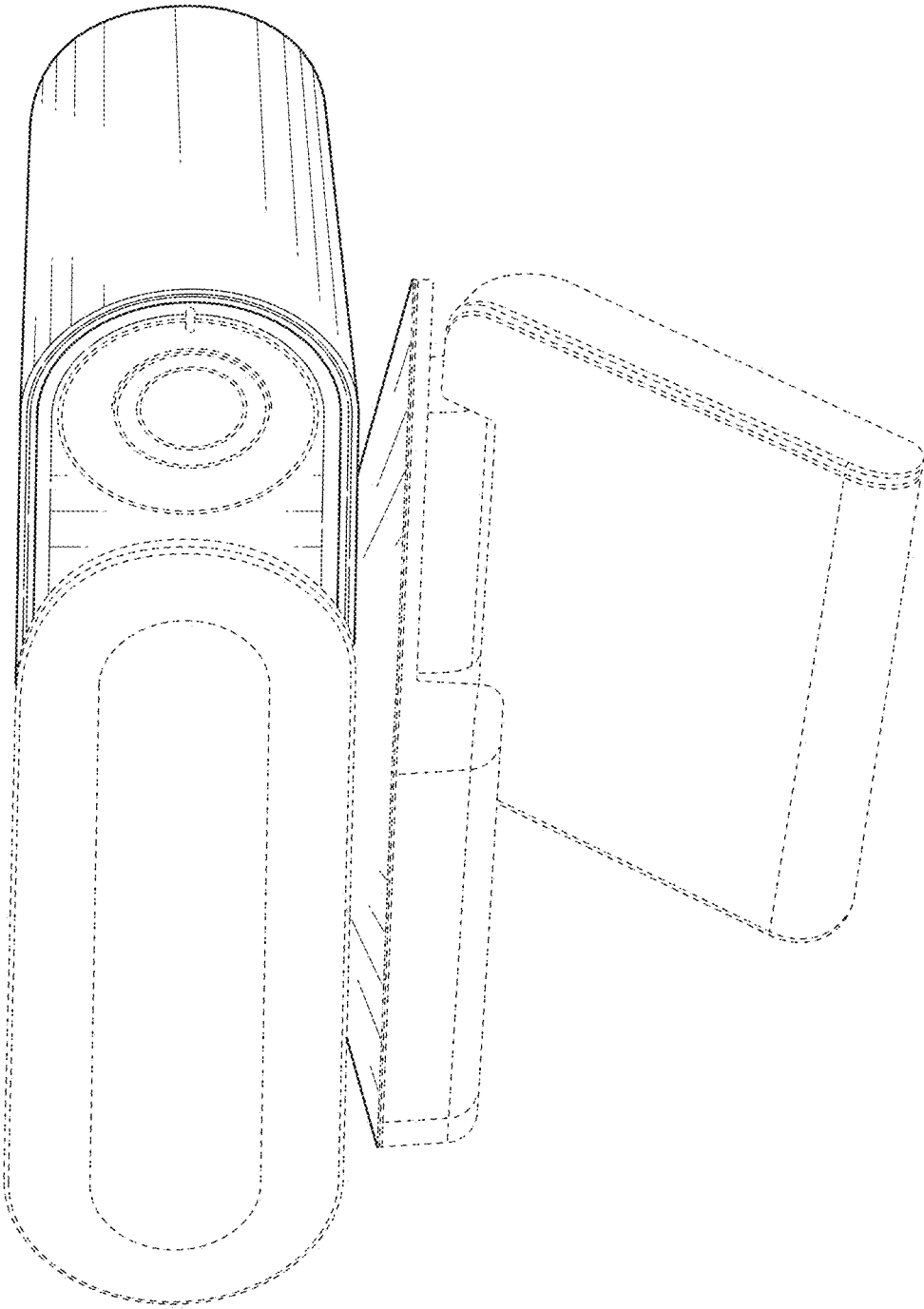


FIG. 29