



US00D762647S

(12) **United States Design Patent**  
**Fitch et al.**

(10) **Patent No.:** **US D762,647 S**

(45) **Date of Patent:** **\*\* Aug. 2, 2016**

(54) **ELECTRONIC DEVICE**

(71) Applicant: **Hand Held Products, Inc.**, Fort Mill, SC (US)

(72) Inventors: **Timothy R. Fitch**, Syracuse, NY (US); **Kirk Michael Burmeister, II**, Charlotte, NC (US); **Scott Garmon**, Waxhaw, NC (US); **Jonathan T. Grunow**, Indian Trail, NC (US)

(73) Assignee: **Hand Held Products, Inc.**, Fort Mill, SC (US)

(\*\*) Term: **15 Years**

(21) Appl. No.: **29/528,590**

(22) Filed: **May 29, 2015**

G06K 7/1417; G06K 9/228; G06K 17/0022; G06K 17/00; G06K 2207/1011; G06K 2207/1013; G06K 2207/1016; G06K 2207/1018; G06K 2017/0051; G06K 2017/0067; G06K 2007/10524; G07G 1/0081; G07G 1/009; G06Q 20/20; G06Q 20/201; G06Q 20/202; G06Q 20/203; G06Q 20/30; G06Q 20/32; G06Q 20/322; G06Q 20/4014; G06Q 10/087; H04N 1/00127; H04N 1/00135; H04N 1/00326; H04N 1/00334; H04N 1/00307; H04N 1/107; H04N 2201/0084; H04N 2101/00; H04M 1/0249; H04M 1/0262; H04M 1/0266; H04M 1/18; H04M 1/23; H04M 1/236; H04B 1/3827; H04B 1/3833; H04B 1/3877; H04B 1/3883; H04B 1/3888; H04B 2001/3894; H01M 2/1066

See application file for complete search history.

(56) **References Cited**

U.S. PATENT DOCUMENTS

D490,422 S 5/2004 Iwama et al.  
D497,160 S 10/2004 Nagao et al.

(Continued)

*Primary Examiner* — Susan Moon Lee

(74) *Attorney, Agent, or Firm* — Additon, Higgins & Pendleton, P.A.

(57) **CLAIM**

The ornamental design for an electronic device, as shown and described.

**DESCRIPTION**

FIG. 1 is a front elevation view of the electronic device; FIG. 2 is a rear elevation view of the electronic device; FIG. 3 is a left side elevation view of the electronic device; FIG. 4 is a right side elevation view of the electronic device; FIG. 5 is a bottom plan view of the electronic device; and, FIG. 6 is a top plan view of the electronic device. Broken lines and unshaded portions contained within broken lines depict portions of the electronic device that form no part of the claimed design.

**1 Claim, 6 Drawing Sheets**

**Related U.S. Application Data**

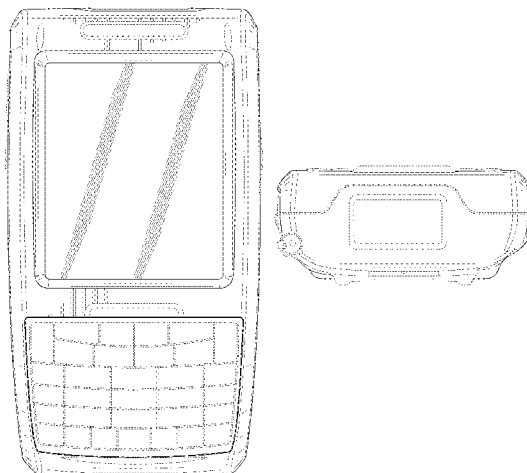
(63) Continuation of application No. 29/436,337, filed on Nov. 5, 2012, now Pat. No. Des. 730,902.

(51) **LOC (10) Cl.** ..... **14-02**

(52) **U.S. Cl.**  
USPC ..... **D14/426**; D14/429

(58) **Field of Classification Search**  
USPC ..... D14/420, 426-430, 453, 346, 341, 347, D14/412, 138; D13/107, 184; 358/473; 235/462.43, 462.45, 462.47, 462.48, 235/462.44, 462.46, 487, 472.01, 472.02, 235/145 A, 145 R; D10/78; 324/426; D3/273; 710/73; D18/7; 361/679, 728, 361/679.56; 382/313, 321; 455/575.1, 561, 455/572; 345/156, 168, 169, 172, 173, 87; 705/17, 18, 22-25

CPC ..... G06F 1/626; G06F 1/1626; G06F 1/1656; G06F 1/1632; G06F 1/1684; G06F 1/1635; G06F 8/63; G06F 17/30091; G06F 9/4401; G06K 7/10881; G06K 7/1098; G06K 7/10722; G06K 7/1404; G06K 7/0004; G06K 7/10633; G06K 7/10851; G06K 7/1091; G06K 7/1092; G06K 7/1093; G06K 7/10; G06K 7/109;



(56)

References Cited

U.S. PATENT DOCUMENTS

D502,159 S	2/2005	Chan et al.		D675,947 S *	2/2013	Janky	D10/78
D522,486 S	6/2006	Corley et al.		D687,008 S *	7/2013	Sugioka	D14/138 AA
7,278,579 B2 *	10/2007	Loffredo	G06F 3/1205 235/375	D709,503 S	7/2014	Chen et al.	
D565,011 S *	3/2008	Lee	D14/138 AD	D709,877 S *	7/2014	Park	D14/138 AA
D576,994 S *	9/2008	Oh	D14/138 AA	D710,846 S	8/2014	Park et al.	
D579,017 S	10/2008	Su		D721,705 S *	1/2015	Lim	D14/426
D579,018 S	10/2008	Su et al.		D722,991 S *	2/2015	Plaschke	D14/138 AA
7,474,298 B2 *	1/2009	Nguyen	G06F 1/1624 345/156	D730,902 S *	6/2015	Fitch	D14/426
D610,110 S *	2/2010	Lee	D14/138 AA	2005/0023357 A1 *	2/2005	Yeh	G06F 7/10584 235/462.43
D613,289 S *	4/2010	Alegiani	D14/426	2008/0121721 A1 *	5/2008	Chen	G06K 7/10831 235/462.45
D615,085 S	5/2010	Ma et al.		2008/0297479 A1	12/2008	Yeh	
D628,198 S	11/2010	Fitch et al.		2008/0316687 A1	12/2008	Richardson et al.	
D633,502 S	3/2011	Alegiani		2009/0080153 A1	3/2009	Richardson et al.	
D633,915 S	3/2011	Alegiani et al.		2009/0291709 A1	11/2009	Lee et al.	
7,953,436 B2	5/2011	Ladouceur		2010/0127661 A1 *	5/2010	Stocking	H02J 7/0044 320/115
8,186,597 B1 *	5/2012	Fletcher	G06K 7/10881 235/462.25	2010/0333166 A1 *	12/2010	Herrod	H04L 41/0813 726/1
D674,796 S	1/2013	Cullen et al.		2011/0024315 A1	2/2011	Kim	
				2012/0113012 A1	5/2012	Cho et al.	

\* cited by examiner

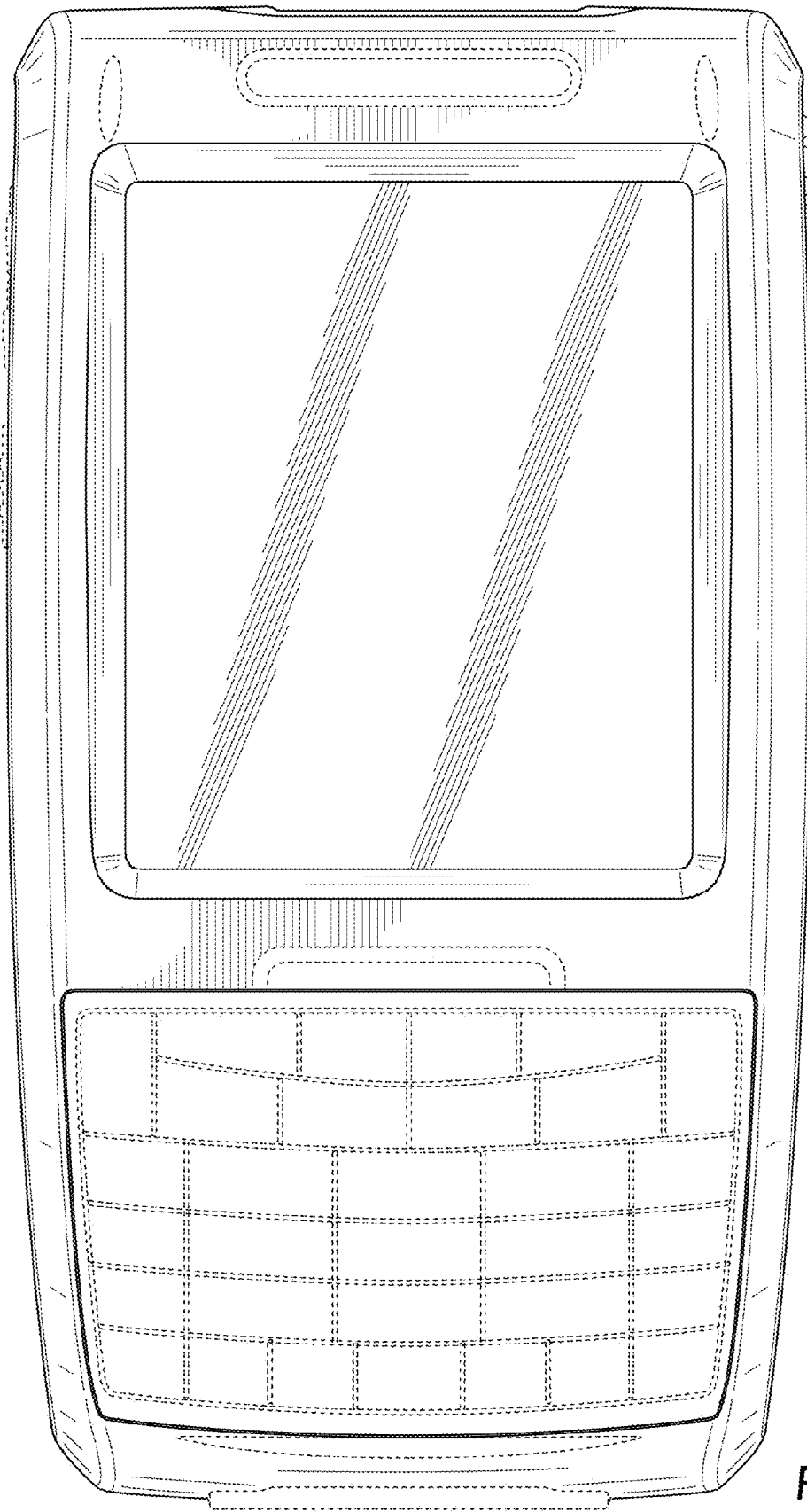


FIG. 1

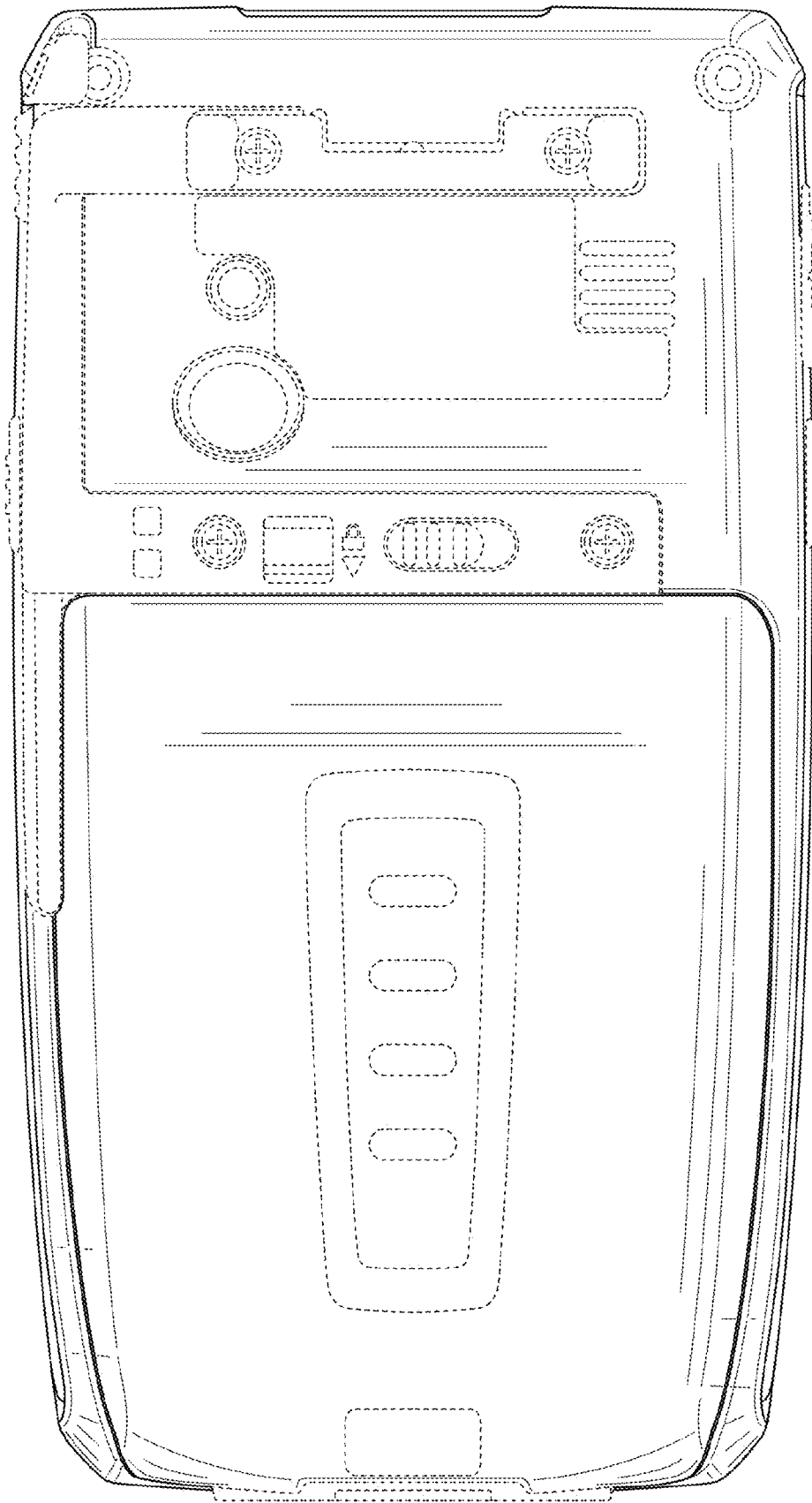


FIG. 2

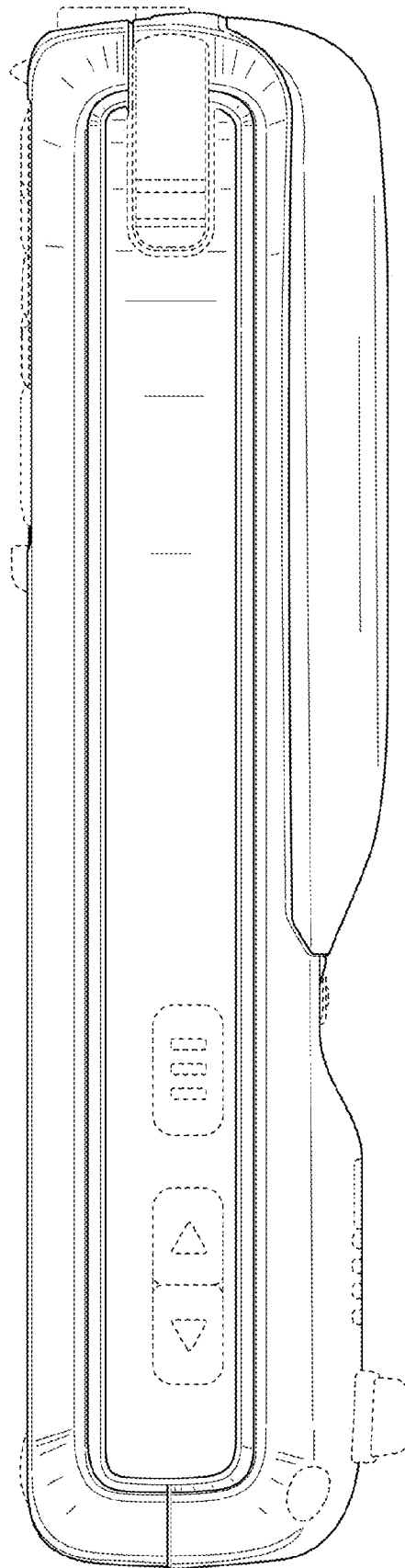


FIG. 3

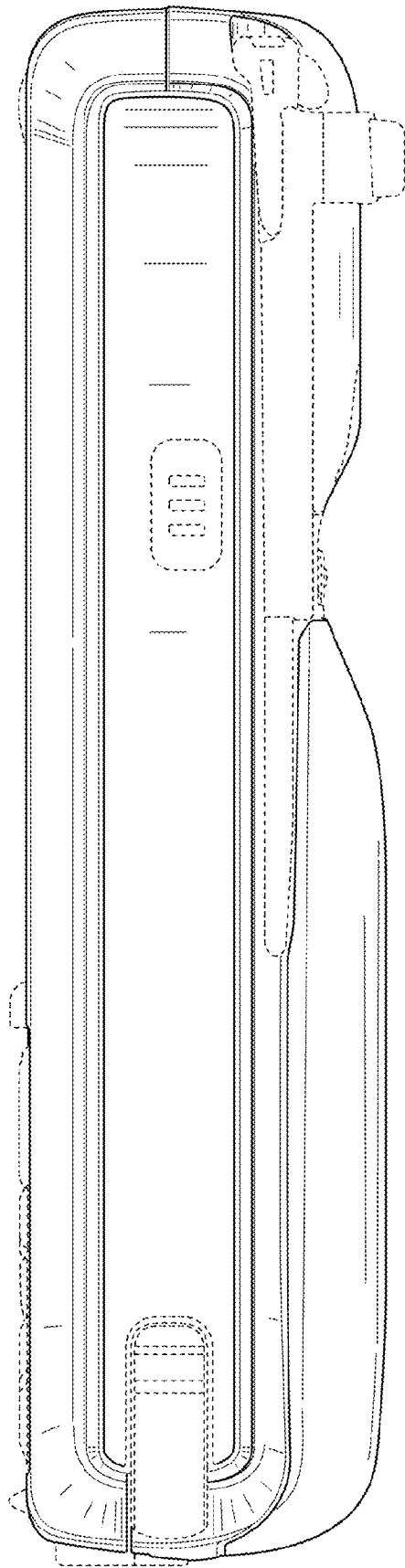


FIG. 4

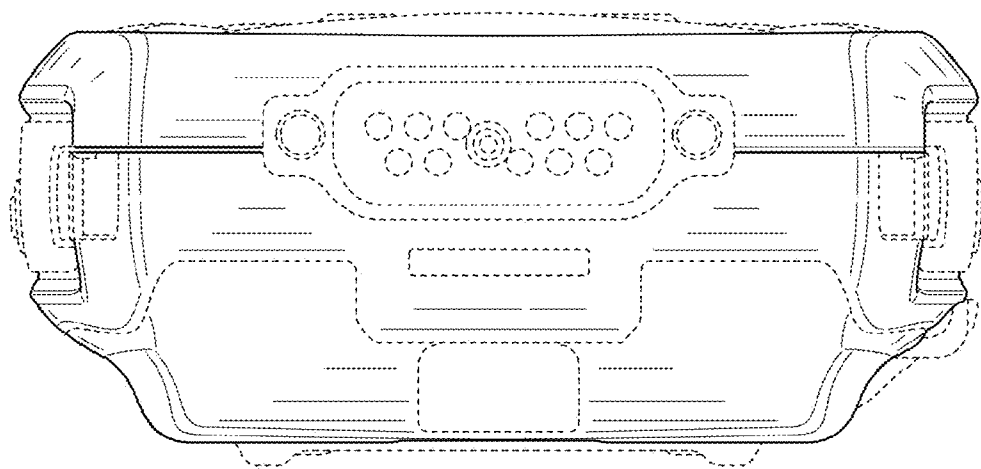


FIG. 5

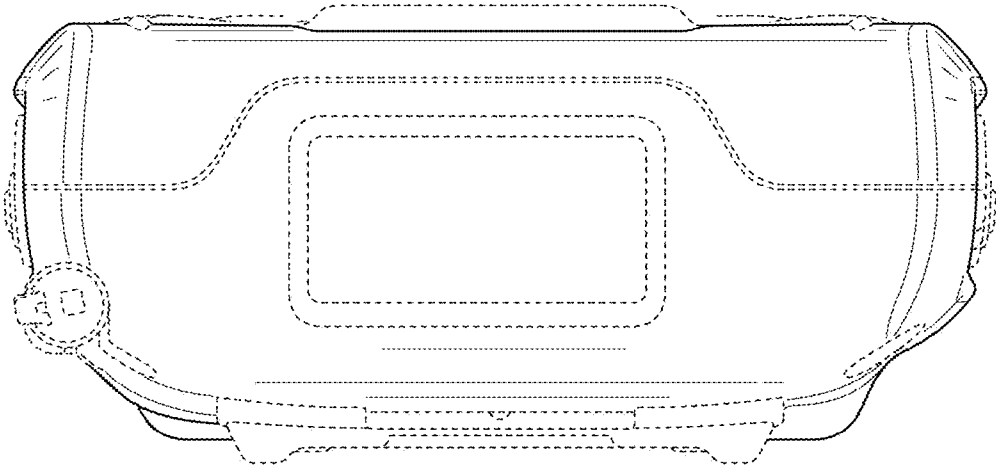


FIG. 6