



US00D840408S

(12) **United States Design Patent**  
**Chen et al.**

(10) **Patent No.:** **US D840,408 S**

(45) **Date of Patent:** **\*\* Feb. 12, 2019**

(54) **ELECTRONIC DEVICE HOLDER**

(71) Applicant: **CHENXERGO INC.**, Taoyuan (TW)

(72) Inventors: **Cheng-Hung Chen**, Taoyuan (TW);  
**Chang-Li Liu**, Taoyuan (TW)

(73) Assignee: **CHENXERGO INC.**, Taoyuan (TW)

(\*\*) Term: **15 Years**

(21) Appl. No.: **29/624,085**

(22) Filed: **Oct. 30, 2017**

(51) **LOC (11) Cl.** ..... **08-07**

(52) **U.S. Cl.** ..... **D14/447**  
USPC ..... **D14/447**

(58) **Field of Classification Search**  
USPC ..... D14/447, 432, 434, 439, 440, 451, 452,  
D14/457, 239; D8/363, 373, 380;  
D6/406.3, 406.4, 406.5, 406.6; D12/415  
See application file for complete search history.

(56) **References Cited**

**U.S. PATENT DOCUMENTS**

D362,664 S *	9/1995	Widmann	.....	D14/451
D619,882 S *	7/2010	Estok	.....	D8/354
D637,602 S *	5/2011	Brechbuhler	.....	D14/451
D652,422 S *	1/2012	Cheng	.....	D14/253
D654,921 S *	2/2012	Malsan	.....	D14/447
D666,200 S *	8/2012	Tien	.....	D14/434
D703,212 S *	4/2014	Cruz	.....	D14/447
D703,215 S *	4/2014	Alesi	.....	D14/447

D706,784 S *	6/2014	Mills	.....	D14/447
D723,043 S *	2/2015	Chang	.....	D14/451
D768,138 S *	10/2016	Malsan	.....	D14/447
D768,639 S *	10/2016	Sumii	.....	D14/447
2018/0136695 A1*	5/2018	Lo	.....	G06F 1/1632

\* cited by examiner

*Primary Examiner* — Angela J Lee

(74) *Attorney, Agent, or Firm* — Muncy, Geissler, Olds & Lowe, P.C.

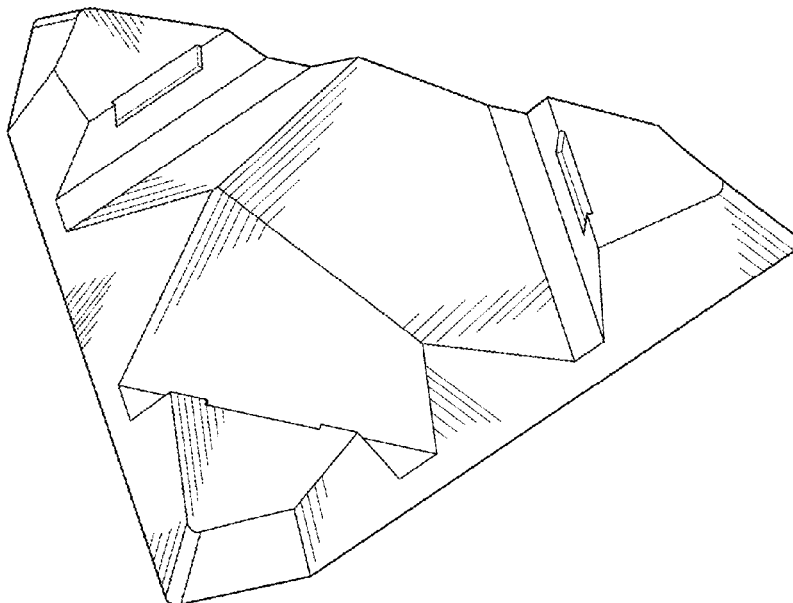
(57) **CLAIM**

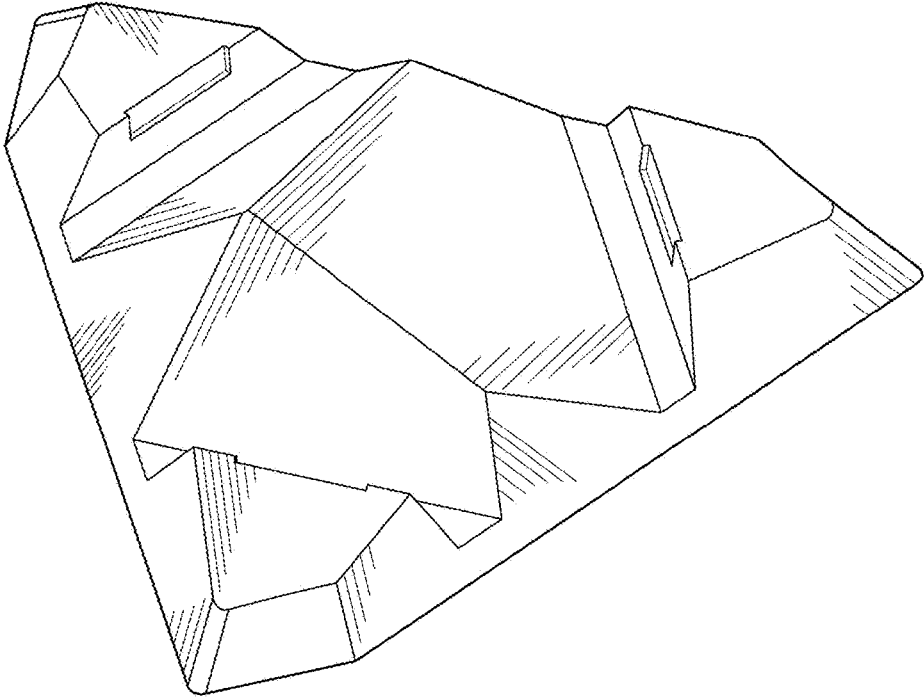
The ornamental design for an electronic device holder, as shown and described.

**DESCRIPTION**

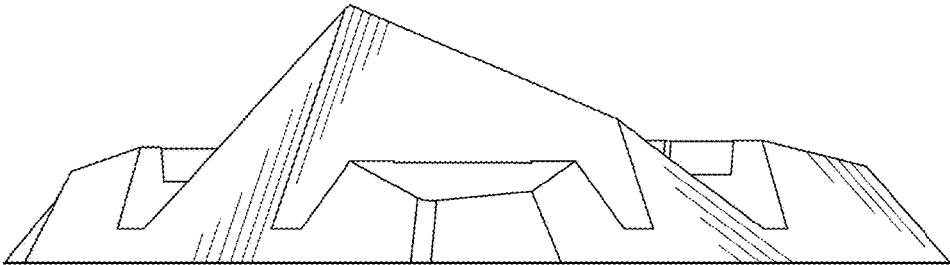
FIG. 1 is a perspective view of an electronic device holder showing my design;  
FIG. 2 is a front view thereof;  
FIG. 3 is a rear view thereof;  
FIG. 4 is a left side view thereof;  
FIG. 5 is a right side view thereof;  
FIG. 6 is a top view thereof;  
FIG. 7 is a bottom view thereof;  
FIG. 8 is a bottom perspective view thereof;  
FIG. 9 is a perspective view showing the use state of the electronic device holder in accordance with the design; and, FIG. 10 is a perspective view showing another use state of the electronic device holder in accordance with the design. The broken line representations of portions in FIGS. 9-10 are for the purpose of illustration only, and form no part of the claimed design.

**1 Claim, 10 Drawing Sheets**

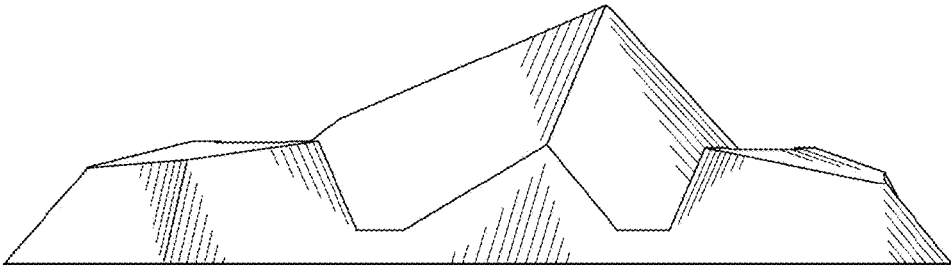




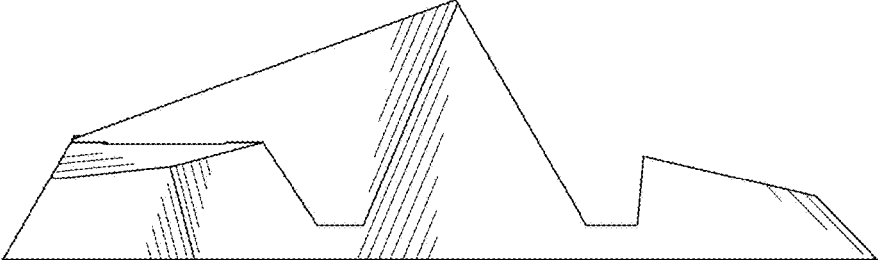
*FIG. 1*



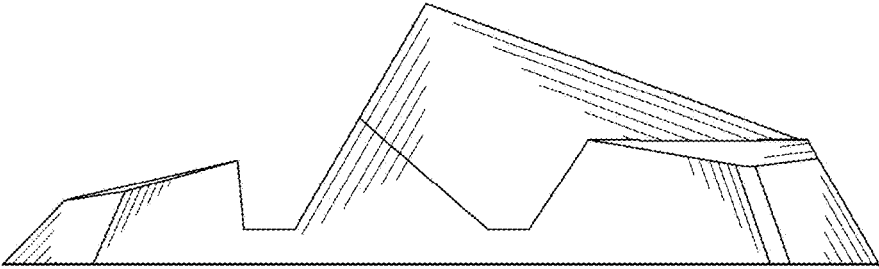
*FIG. 2*



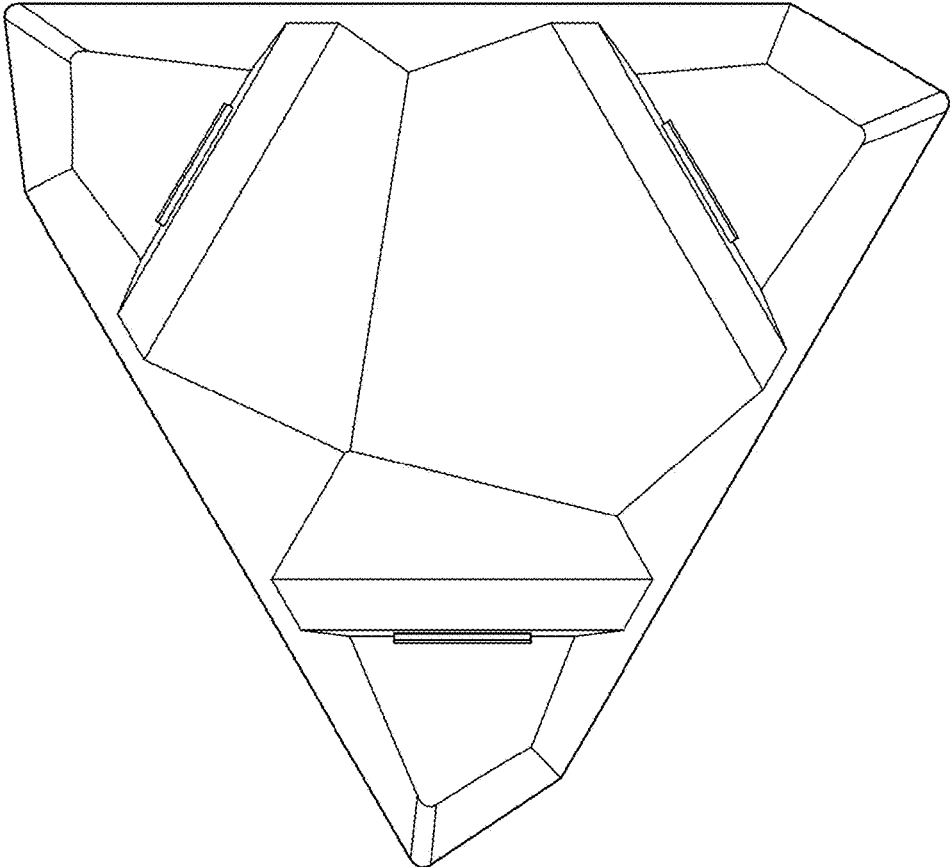
*FIG. 3*



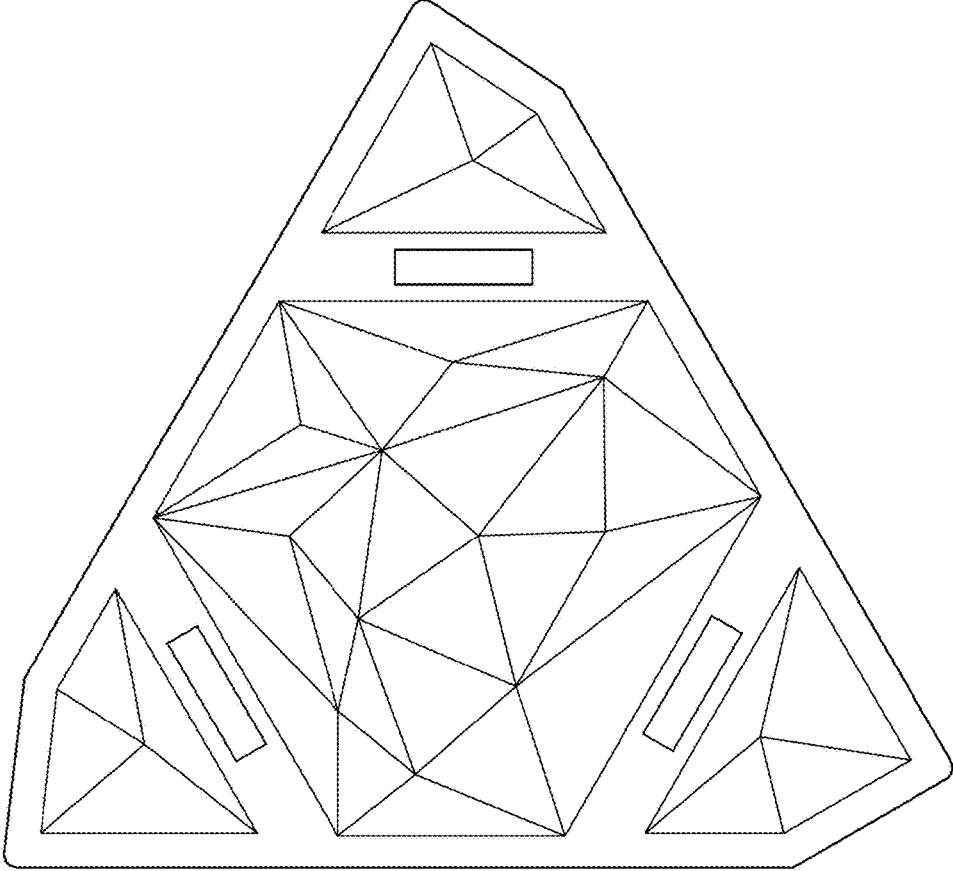
*FIG. 4*



*FIG. 5*

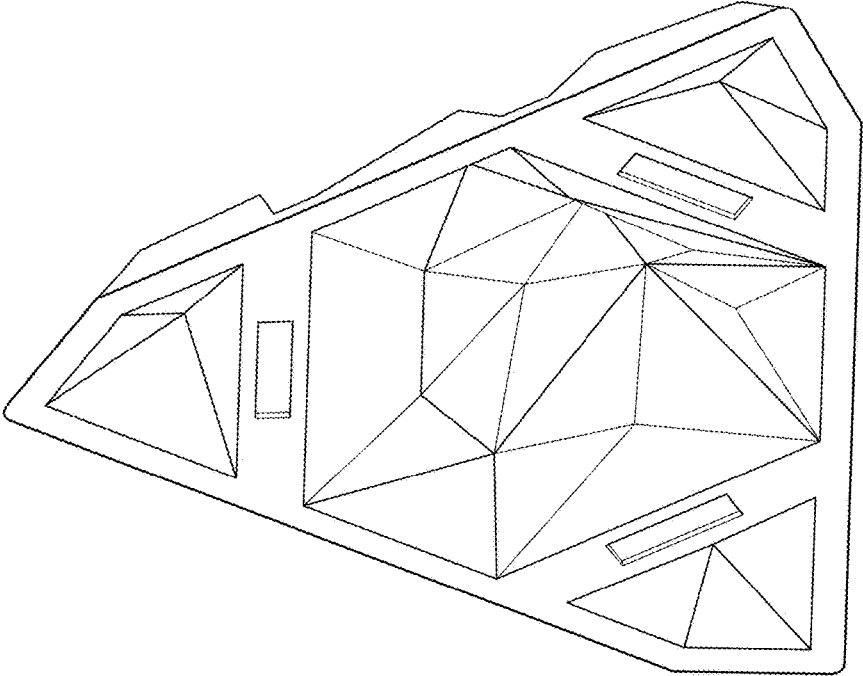


*FIG. 6*

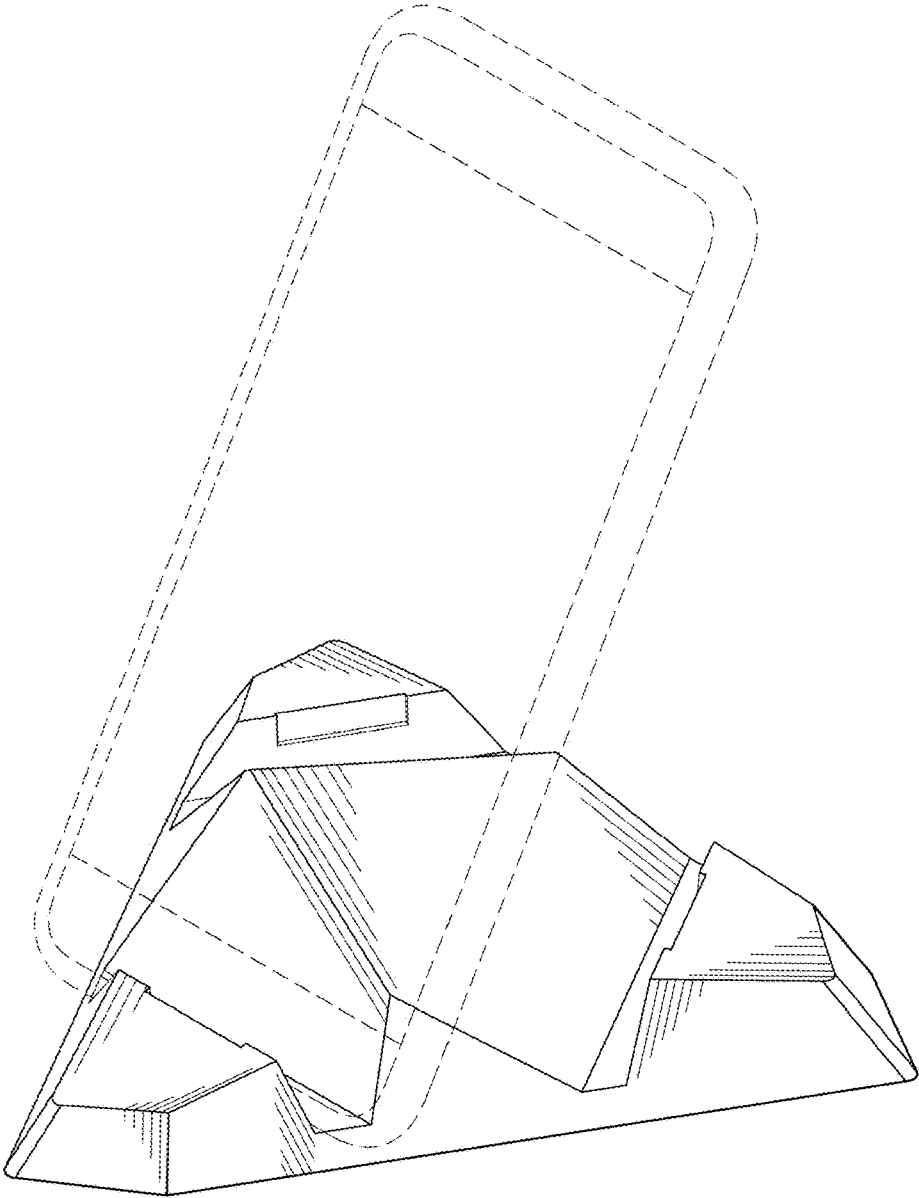


*FIG. 7*

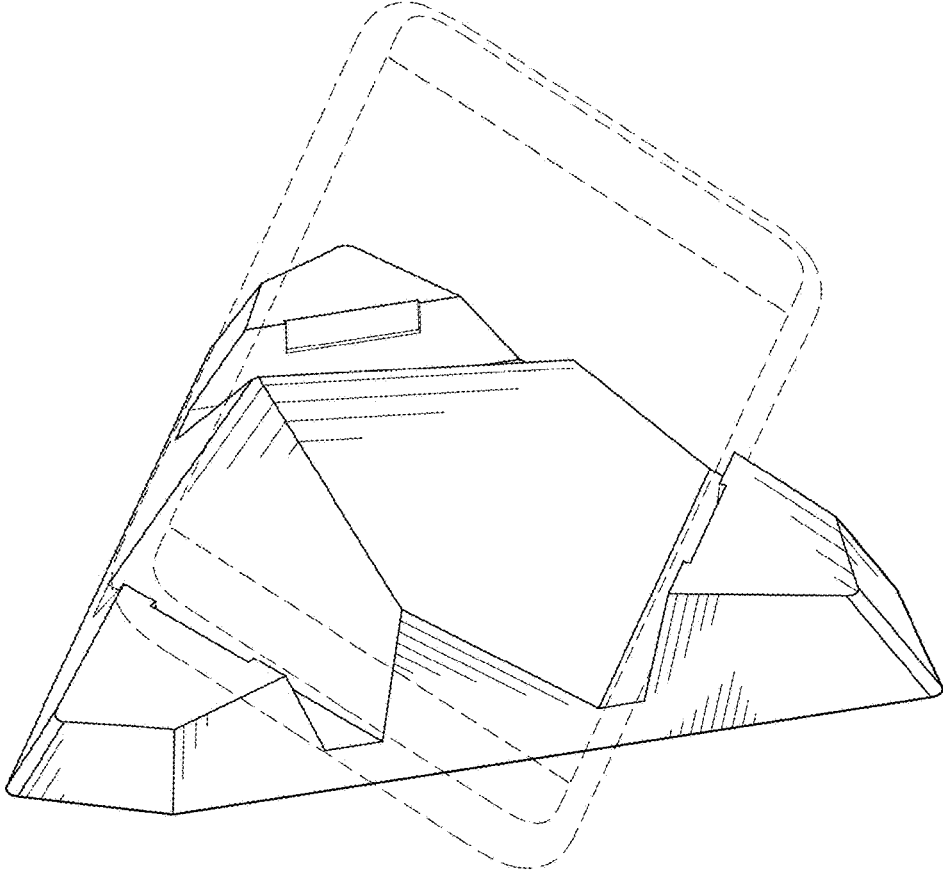




*FIG. 8*



*FIG. 9*



*FIG. 10*