



US0D1042184S

(12) **United States Design Patent**
Cauley, Jr. et al.

(10) **Patent No.:** **US D1,042,184 S**
(45) **Date of Patent:** **** Sep. 17, 2024**

(54) **HANDHELD WEIGHING SCALE**

B26B 7/00; B26B 7/005; B25F 5/008;
B25F 5/02

See application file for complete search history.

(71) Applicant: **AOB Products Company**, Columbia,
MO (US)

(56) **References Cited**

(72) Inventors: **Dennis W. Cauley, Jr.**, Fayette, MO
(US); **James Tayon**, Moberly, MO
(US); **Mark Dalton**, Columbia, MO
(US); **Kyle Martin**, Columbia, MO
(US); **Matthew Kinamore**, Columbia,
MO (US); **Curtis Smith**, Columbia,
MO (US)

U.S. PATENT DOCUMENTS

5,031,710 A *	7/1991	Parker	G01G 3/14 177/149
D331,887 S *	12/1992	Robbins	D10/89
D332,922 S *	2/1993	Robbins	D10/89
D333,277 S *	2/1993	Robbins	B25F 5/008 D10/89
D335,635 S *	5/1993	Robbins	G01G 19/56 D10/89
5,545,855 A	8/1996	Stanfield et al.	
6,222,449 B1	4/2001	Twining	
6,608,261 B2	8/2003	Thadani	
6,696,650 B2	2/2004	Muller et al.	

(Continued)

(73) Assignee: **AOB PRODUCTS COMPANY**,
Columbia, MO (US)

(**) Term: **15 Years**

OTHER PUBLICATIONS

(21) Appl. No.: **29/874,225**

Hook Setting Adventures, "Bass Pro Product Review 2020 Model BassPro XPS Scale," YouTube video located at <https://www.youtube.com/watch?v=qbnBSa8uTqQ>, Sep. 27, 2020.

(22) Filed: **Apr. 17, 2023**

Primary Examiner — Antoine Duval Davis

(74) *Attorney, Agent, or Firm* — Stinson LLP

Related U.S. Application Data

(60) Division of application No. 29/855,588, filed on Oct. 5, 2022, now Pat. No. Des. 997,000, which is a continuation of application No. 17/823,863, filed on Aug. 31, 2022.

(57) **CLAIM**

The ornamental design for a handheld weighing scale, as shown and described.

(51) **LOC (14) Cl.** **10-04**

(52) **U.S. Cl.**

USPC **D10/89**

CPC **G01G 19/18** (2013.01); **G01G 21/283**
(2013.01)

DESCRIPTION

FIG. 1 is a top rear perspective view of a handheld weighing scale of our design;
FIG. 2 top front perspective view of the handheld weighing scale;
FIG. 3 is a rear elevation view of the handheld weighing scale;
FIG. 4 is a right side elevation view of the handheld weighing scale;
FIG. 5 is a top view of the handheld weighing scale;

(Continued)

(58) **Field of Classification Search**

USPC D10/89, 90

CPC G01G 19/18; G01G 21/283; G01G 19/56;

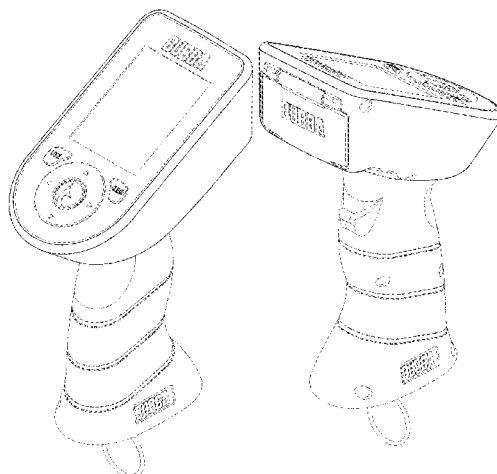


FIG. 6 is a front elevation view of the handheld weighing scale; and,
 FIG. 7 is a left side elevation view of the handheld weighing scale.

The dash-dash-dash broken line showing is included for the purpose of illustrating portions of the article that form no part of the claim.

1 Claim, 7 Drawing Sheets

(56)

References Cited

U.S. PATENT DOCUMENTS

7,173,197	B1	2/2007	Kaperek	
7,408,125	B1	8/2008	Lentine	
7,550,684	B2	6/2009	Kritzler	
D611,374	S *	3/2010	Marshall G01G 3/14 D10/89

8,921,716	B2	12/2014	Saulters et al.	
9,476,758	B2	10/2016	Jones	
10,004,213	B2	6/2018	Britz	
10,123,521	B2	11/2018	Castaneda et al.	
10,390,523	B1	8/2019	Polston	
10,557,747	B2 *	2/2020	Kishikawa G01G 19/393
10,557,748	B2 *	2/2020	Eide G01G 19/60
10,603,542	B1 *	3/2020	Smyser A63B 21/002
11,487,957	B2 *	11/2022	Teshirogi G06Q 10/087
D997,000	S *	8/2023	Cauley, Jr. G01G 19/18 D10/89
2003/0127253	A1	7/2003	Heyn	
2004/0249860	A1	12/2004	Stechschulte et al.	
2005/0240420	A1	12/2005	Iverson et al.	
2012/0000713	A1	1/2012	Taboada	
2015/0316409	A1	11/2015	Castaneda et al.	
2016/0278360	A1	9/2016	Battah et al.	
2020/0011728	A1	1/2020	Ganahl	
2022/0331998	A1 *	10/2022	Cauley, Jr. B25F 5/008
2023/0063284	A1 *	3/2023	Cauley, Jr. G01G 19/56

* cited by examiner

FIG. 1

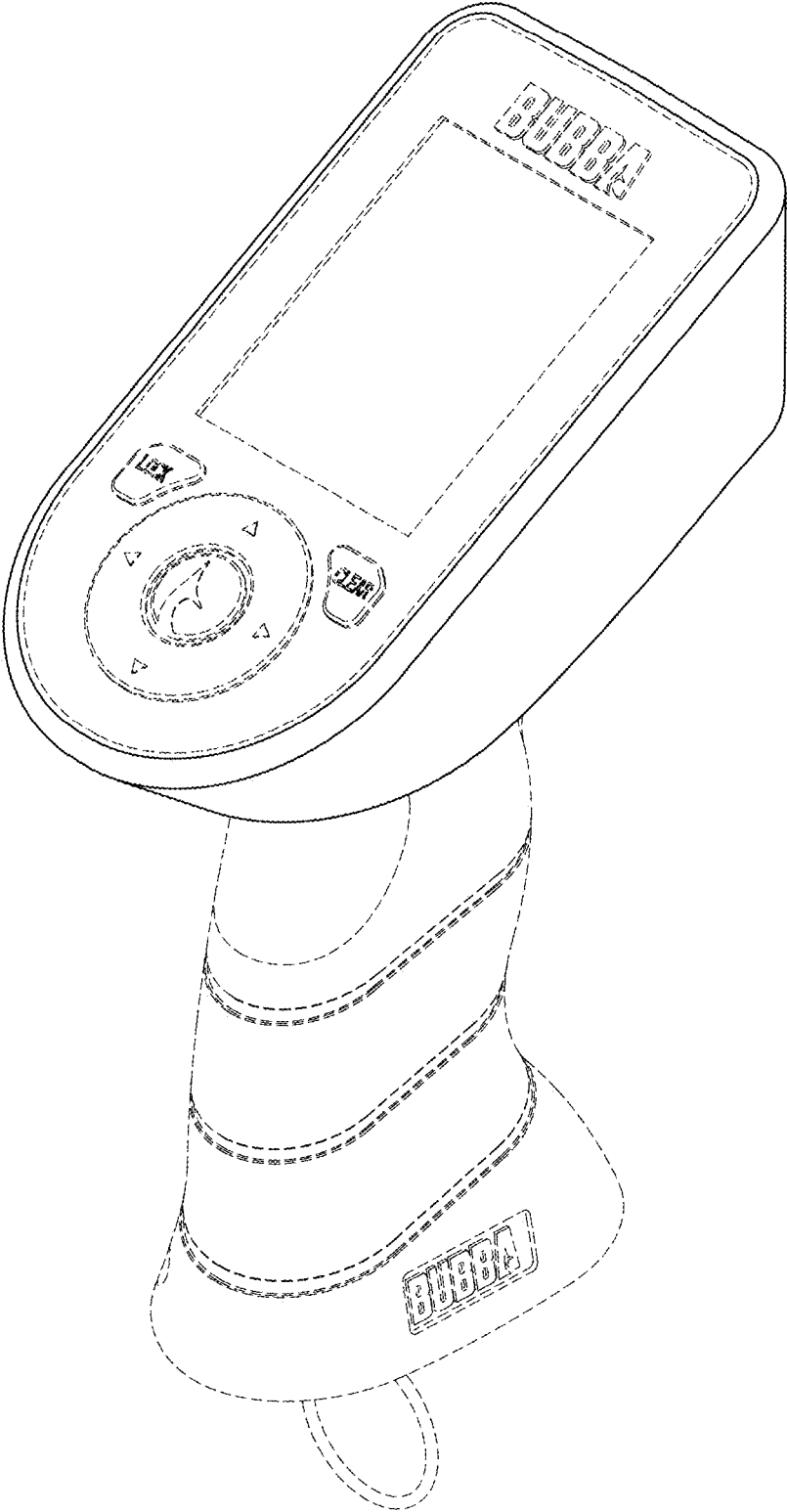


FIG. 2

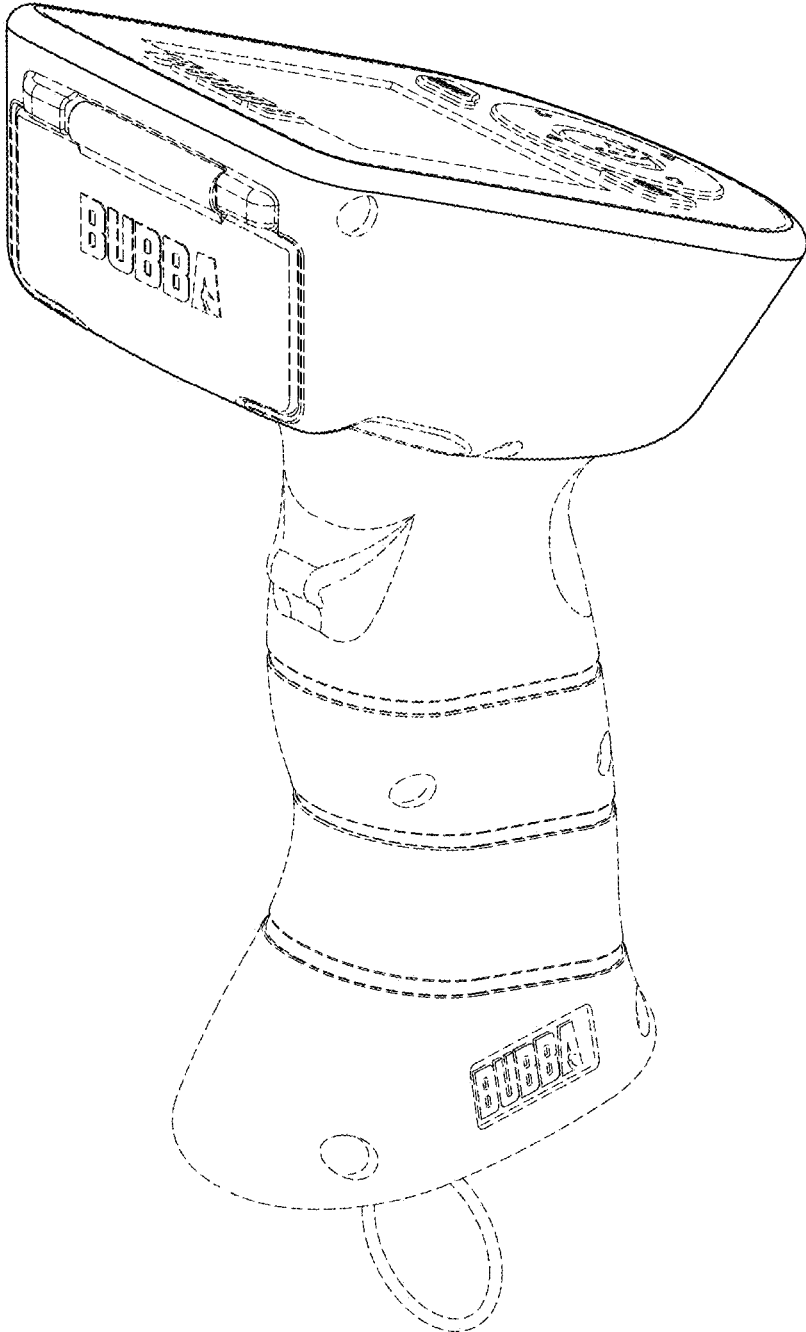


FIG. 3

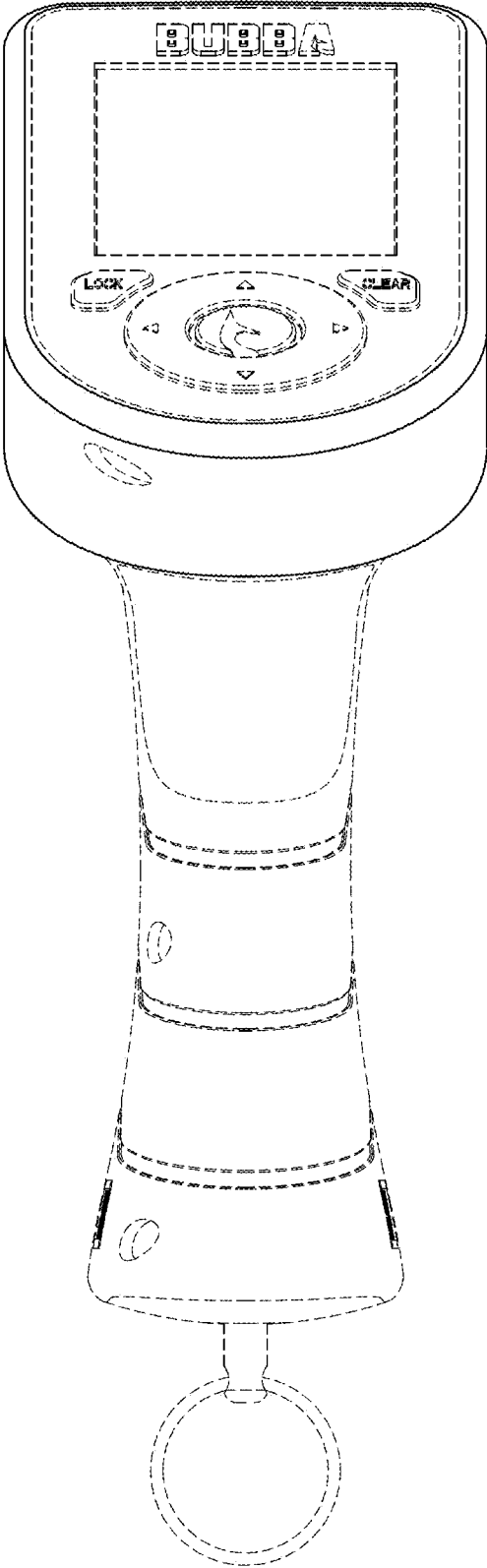


FIG. 4

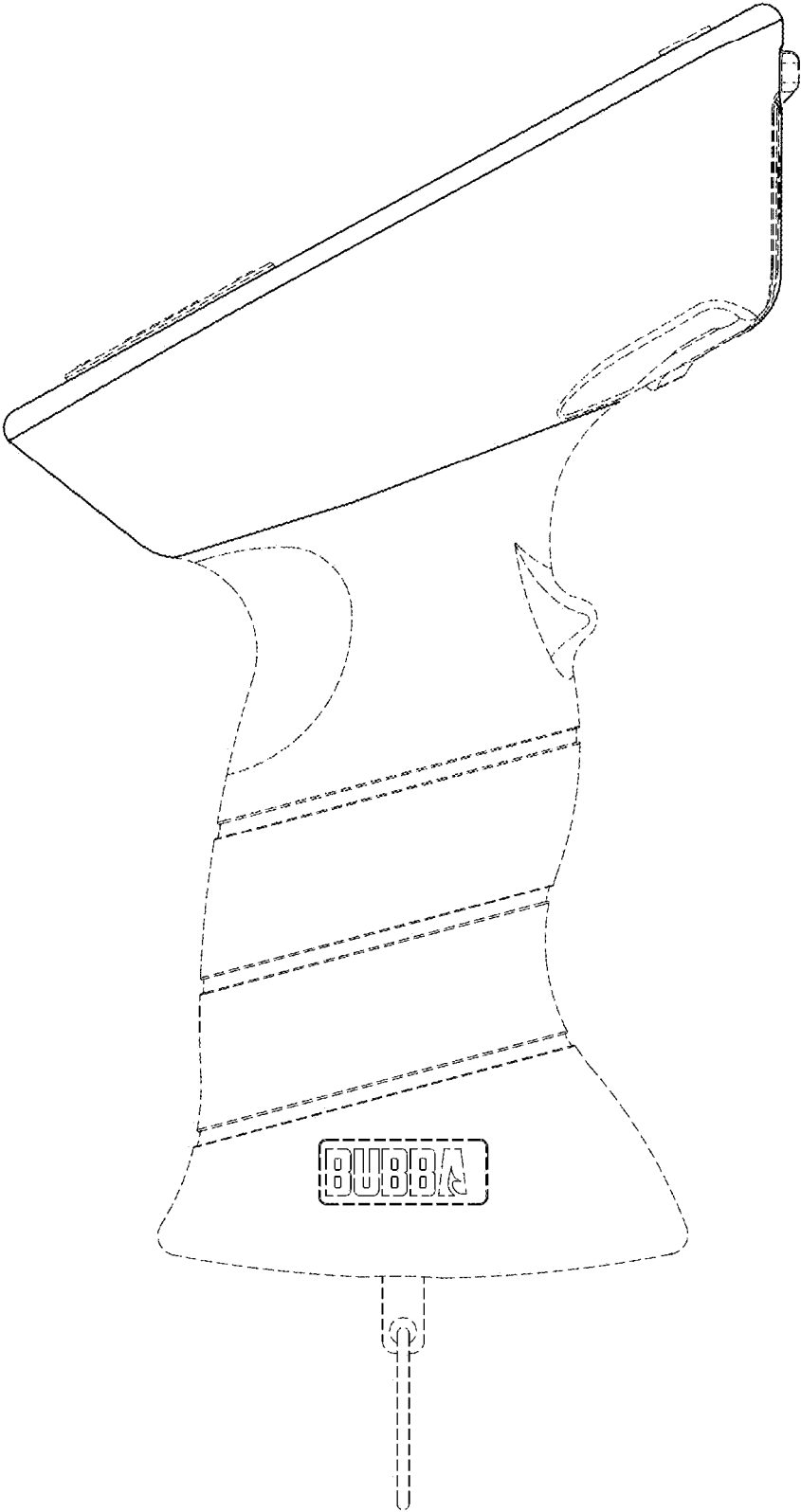


FIG. 5

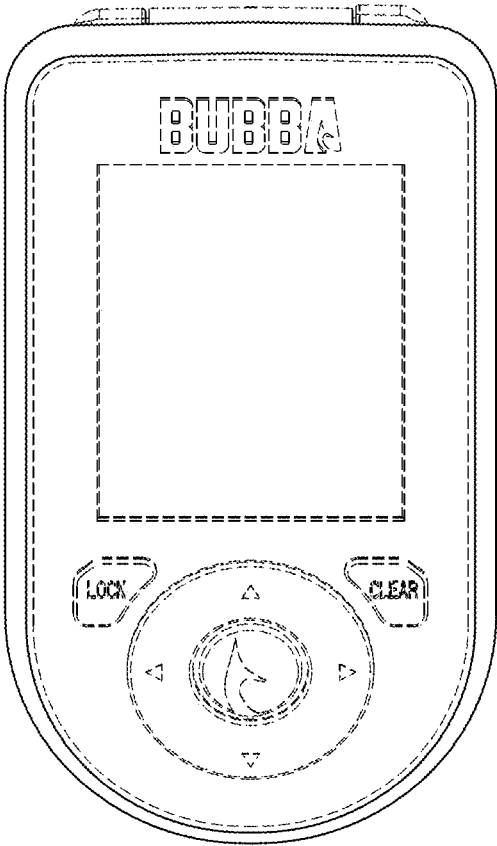


FIG. 6

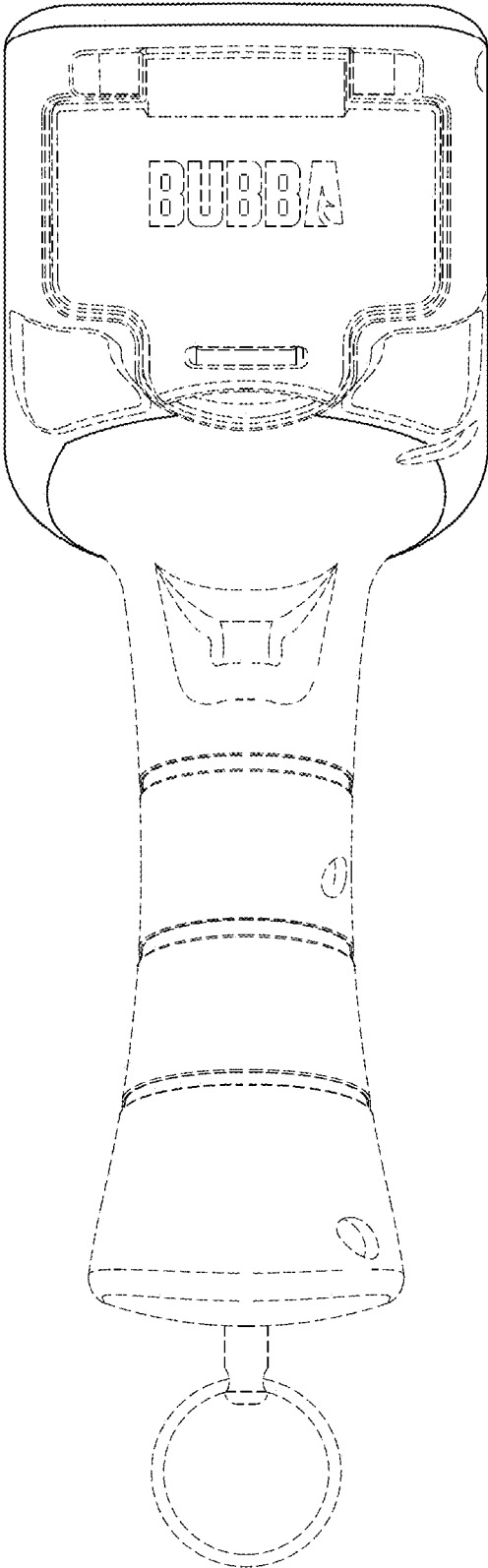


FIG. 7

