



US00D873329S

(12) **United States Design Patent**
Berenson

(10) **Patent No.:** **US D873,329 S**

(45) **Date of Patent:** **** Jan. 21, 2020**

(54) **GOGGLES**

(71) Applicant: **Aqua-Leisure Industries, Inc.**, Avon, MA (US)

(72) Inventor: **Steven M. Berenson**, Quincy, MA (US)

(73) Assignee: **Aqua-Leisure Industries, Inc.**, Avon, MA (US)

(**) Term: **15 Years**

(21) Appl. No.: **29/650,637**

(22) Filed: **Jun. 8, 2018**

(51) **LOC (12) Cl.** **16-06**

(52) **U.S. Cl.**
USPC **D16/312**

(58) **Field of Classification Search**
USPC D16/101, 300-342, 900; D29/109-110; D21/483, 659-661; D14/372; 351/41, 351/44, 45-48, 51-52, 62, 158, 92, 351/103-123, 140-153, 63, 59; 2/13, 15, 2/426-432, 447-449, 441, 434-437
CPC G02C 2200/08; G02C 1/06; G02C 5/14; G02C 11/02; G02C 11/04; G02C 5/16; G02C 2200/22; G02C 5/146; G02C 5/2254; G02C 5/008; G01C 5/16; A61M 2021/0044; A63B 33/002
See application file for complete search history.

6,036,312 A * 3/2000 Stepan A61F 9/026
351/106
D422,617 S * 4/2000 Simioni D16/311
6,247,811 B1 * 6/2001 Rhoades A61F 9/026
2/431
6,253,388 B1 * 7/2001 Lando A61F 9/02
2/445
6,276,794 B1 * 8/2001 Chiang A63B 33/002
2/426
D471,224 S * 3/2003 Chiang D16/303
D482,383 S * 11/2003 Lee D16/311
D499,440 S * 12/2004 Chiang D16/311
D537,098 S * 2/2007 Sheldon D16/311
7,231,922 B2 * 6/2007 Davison A61F 9/029
128/858
D618,719 S * 6/2010 Chiang D16/311
D717,859 S * 11/2014 Chiang D16/303

(Continued)

Primary Examiner — Michelle E. Wilson
Assistant Examiner — Sanjeev Paul
(74) *Attorney, Agent, or Firm* — Wolf, Greenfield & Sacks, P.C.

(57) **CLAIM**

The ornamental design for goggles, as shown.

DESCRIPTION

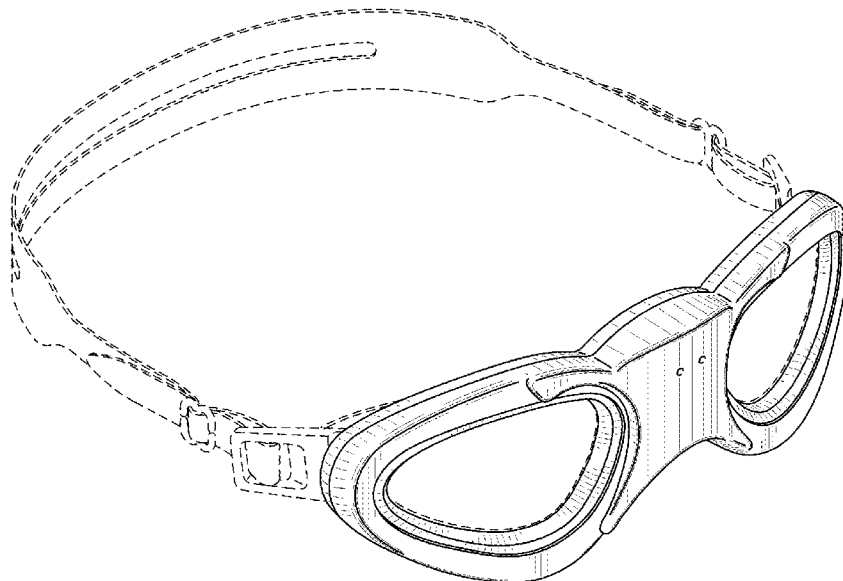
FIG. 1 is a perspective view of the goggles in accordance with my new design.
FIG. 2. is a top plan view of the goggles of FIG. 1.
FIG. 3 is a left side elevational view of the goggles of FIG. 2.
FIG. 4. is a bottom plan view of the goggles of FIG. 2.
FIG. 5 is a right side elevational view of the goggles of FIG. 2.
FIG. 6 is a front elevational view of the goggles; and,
FIG. 7 is a rear elevational view of the goggles.
The broken lines in the drawings represent environmental subject matter and form no part of the claimed design.

1 Claim, 4 Drawing Sheets

(56) **References Cited**

U.S. PATENT DOCUMENTS

D350,496 S * 9/1994 Shelton D16/303
5,631,716 A * 5/1997 Chao A61F 9/025
2/426
D385,574 S * 10/1997 Fireman D16/311
D400,555 S * 11/1998 Wang D16/312
5,914,765 A * 6/1999 Wang G02C 9/00
351/41



(56)

References Cited

U.S. PATENT DOCUMENTS

D841,079	S *	2/2019	Harpages	D16/311
D845,296	S *	4/2019	Natsume	D14/372
2006/0218705	A1 *	10/2006	Chiang	A61F 9/026 2/448
2008/0111966	A1 *	5/2008	Chiang	A63B 33/002 351/43
2008/0172777	A1 *	7/2008	Chiang	A63B 33/002 2/428
2009/0038062	A1 *	2/2009	Chiang	A63B 33/002 2/445
2011/0191948	A1 *	8/2011	Chiang	A63B 33/002 2/440
2011/0258761	A1 *	10/2011	Chou	A63B 33/002 2/445
2011/0302702	A1 *	12/2011	Chiang	A63B 33/002 2/442
2014/0176897	A1 *	6/2014	Luan	A63B 33/002 351/43
2015/0335956	A1 *	11/2015	Dichiara	A63B 33/002 351/43
2016/0147082	A1 *	5/2016	Rasier	G02C 3/006 351/71
2017/0131563	A1 *	5/2017	Shiue	G02C 3/003

* cited by examiner

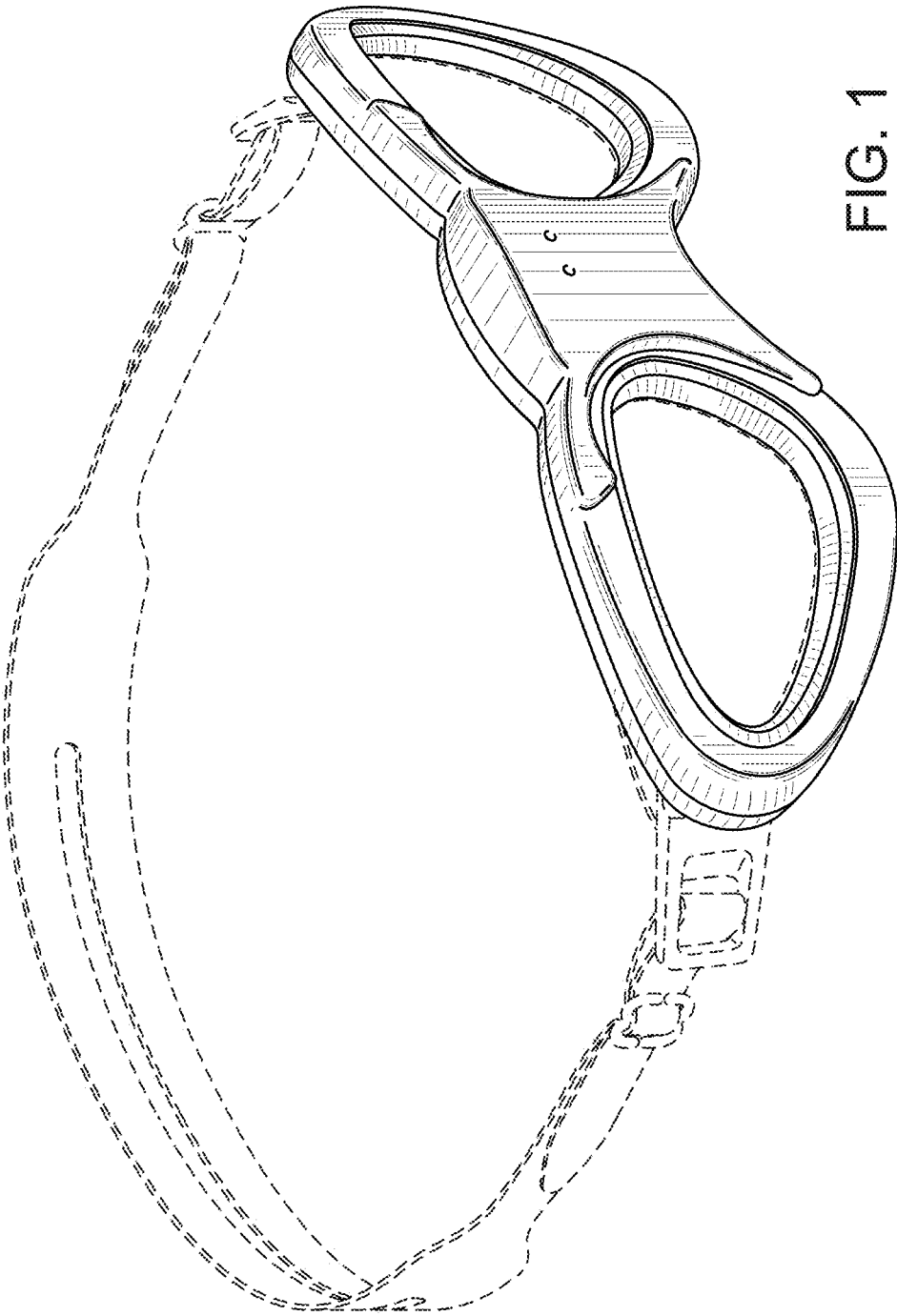


FIG. 1

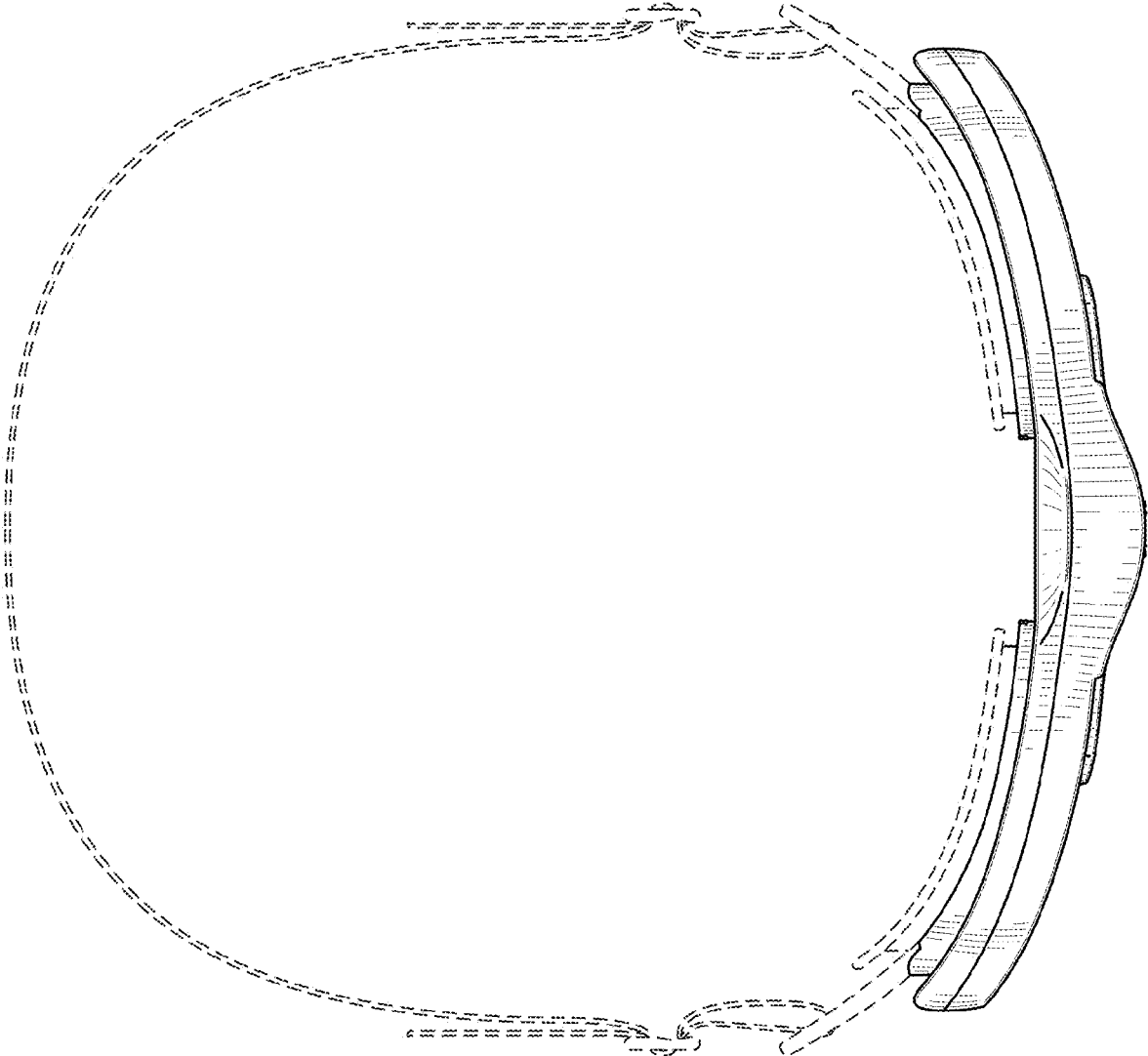


FIG. 2

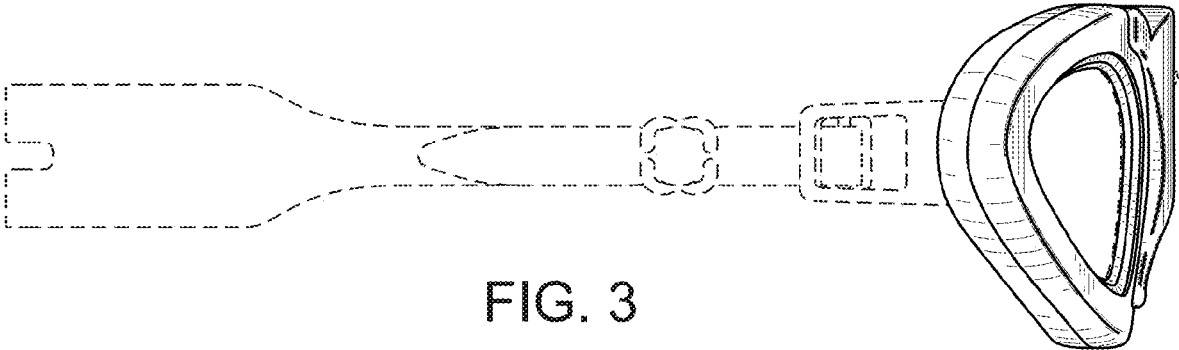


FIG. 3

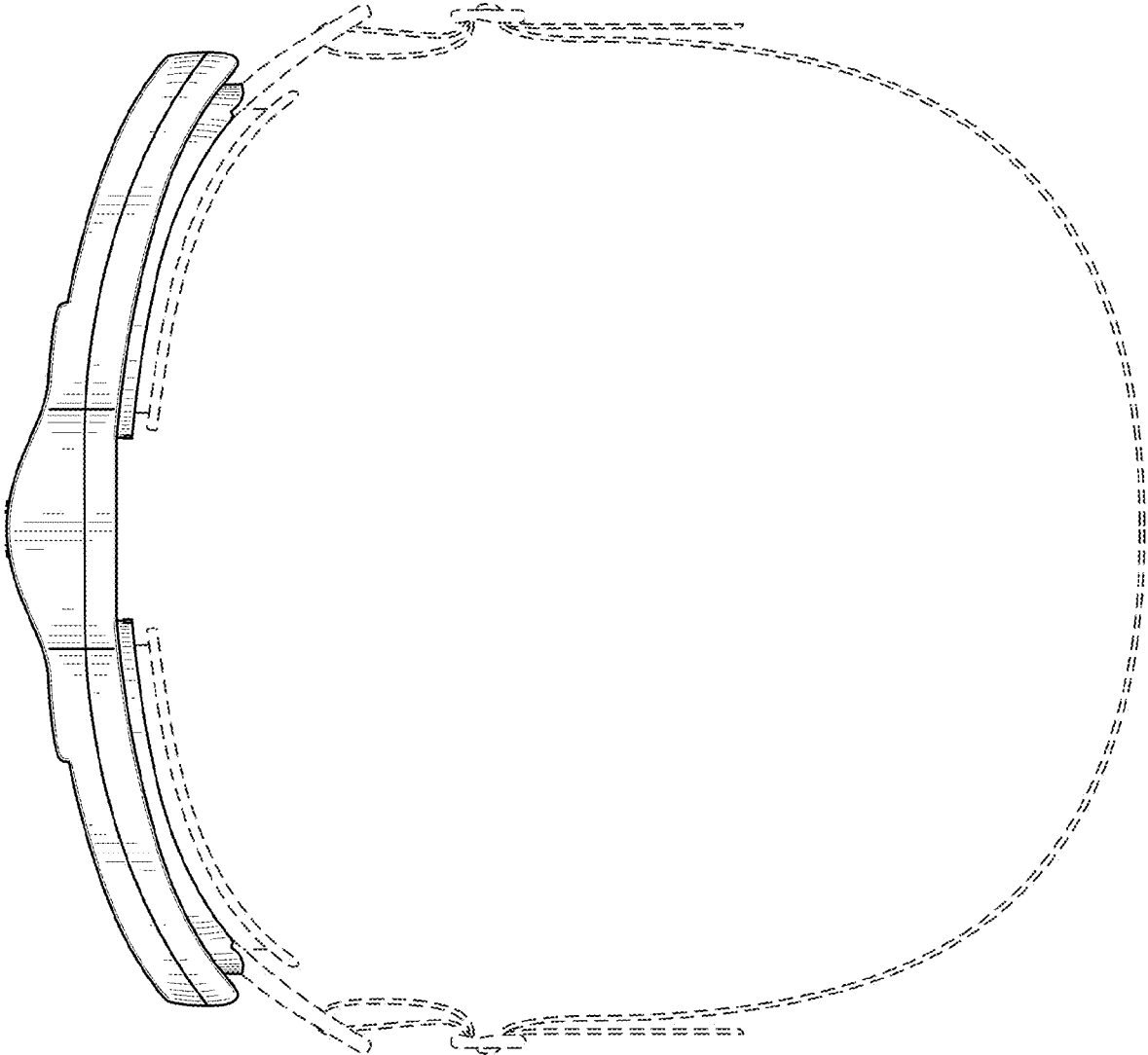


FIG. 4

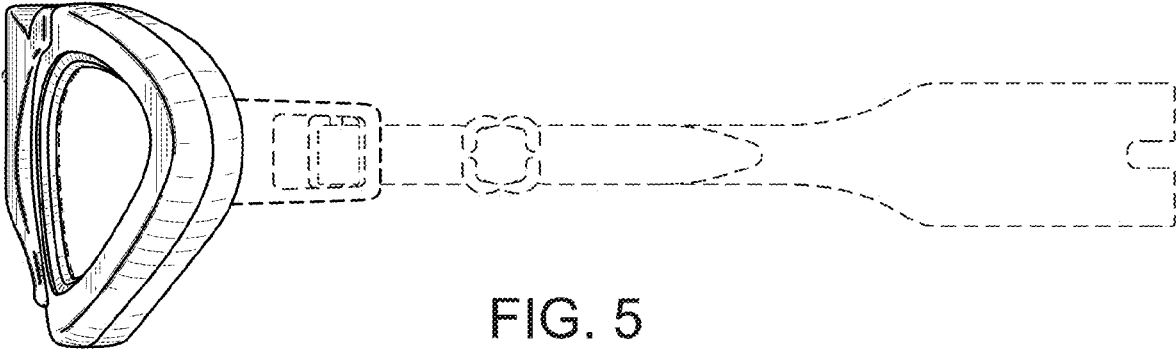


FIG. 5

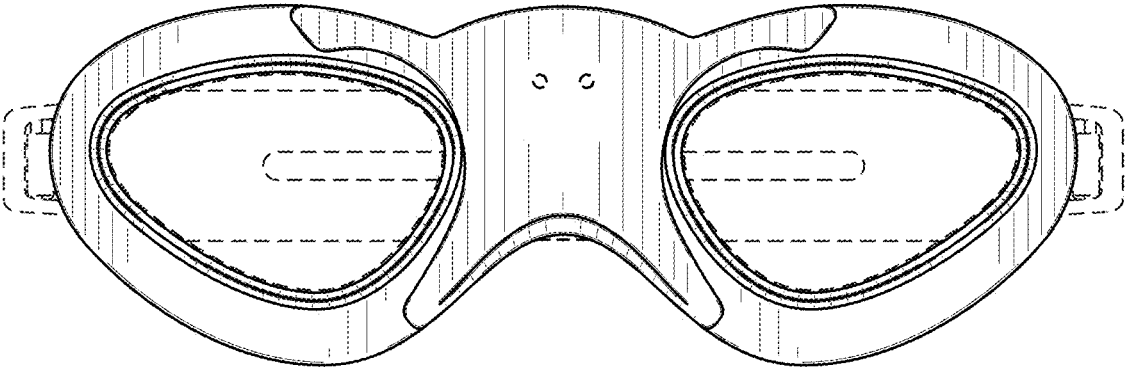


FIG. 6

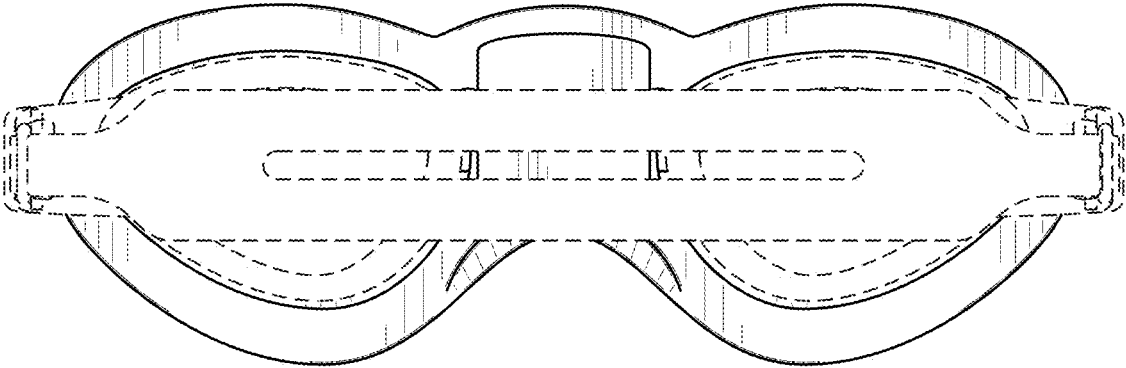


FIG. 7