



(72) EDWARDS, STUART D., US

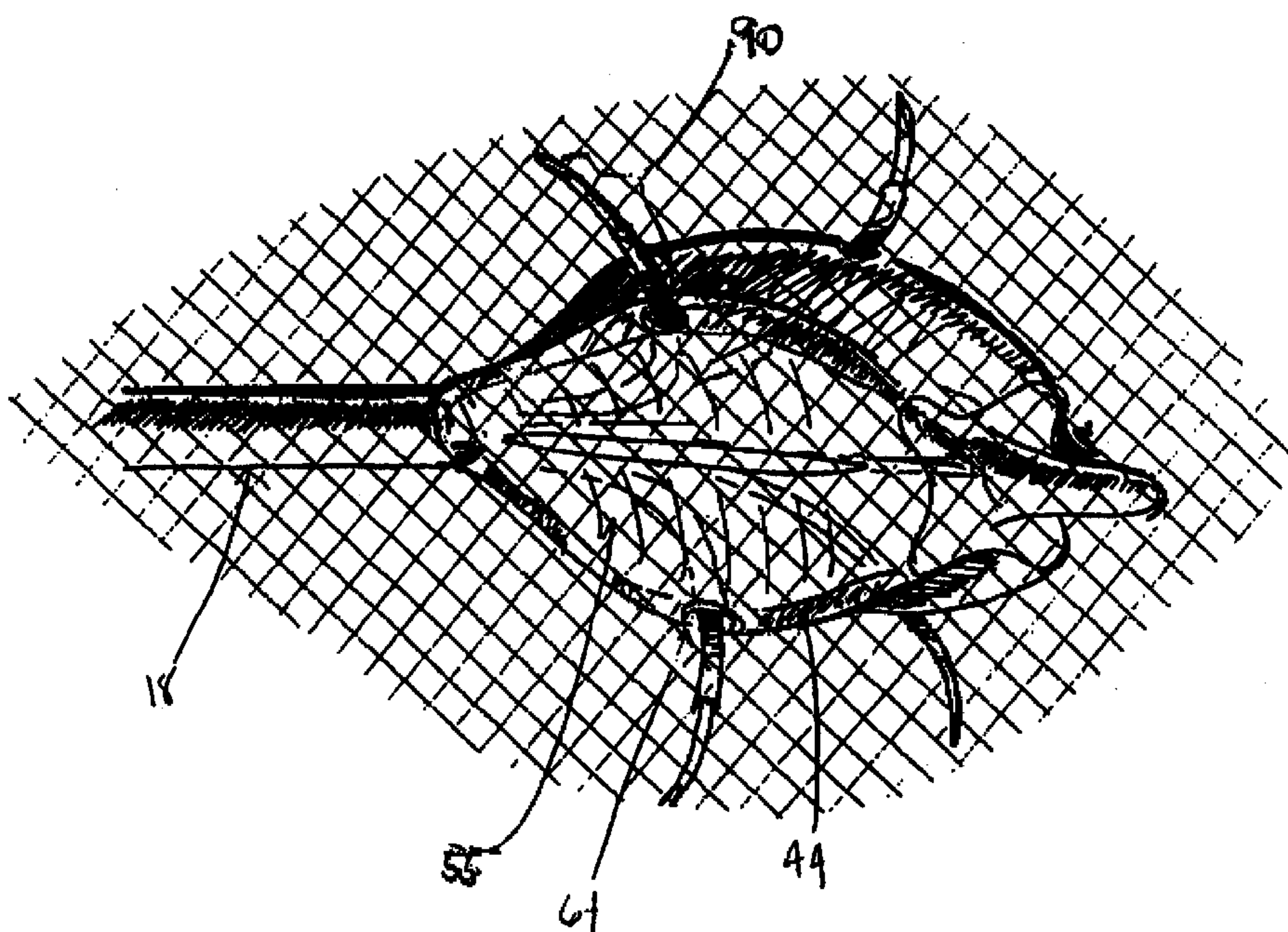
(71) CURON MEDICAL, INC., US

(51) Int.Cl.⁶ A61B 17/39

(30) 1998/02/19 (09/026,316) US

(54) **APPAREIL ELECTROCHIRURGICAL DE TRAITEMENT DES
SPHINCTERS**

(54) **ELECTROSURGICAL SPHINCTER TREATMENT APPARATUS**



(57) Un appareil de traitement des sphincters comprend un élément d'introduction destiné à être introduit dans l'oesophage, cet élément comportant à son extrémité distale un ensemble extensible constitué de plusieurs bras souples, l'ensemble étant introduit dans le sphincter puis gonflé mécaniquement pour dilater le sphincter. L'ensemble est doté d'électrodes de détection qui détectent les potentiels myo-électriques et abrite plusieurs électrodes apportant de l'énergie qui ont la forme d'une aiguille et qui peuvent sortir les bras de l'ensemble devant être déployés dans le muscle du sphincter pour effectuer le traitement. Un agent de refroidissement et un électrolyte peuvent être utilisés.

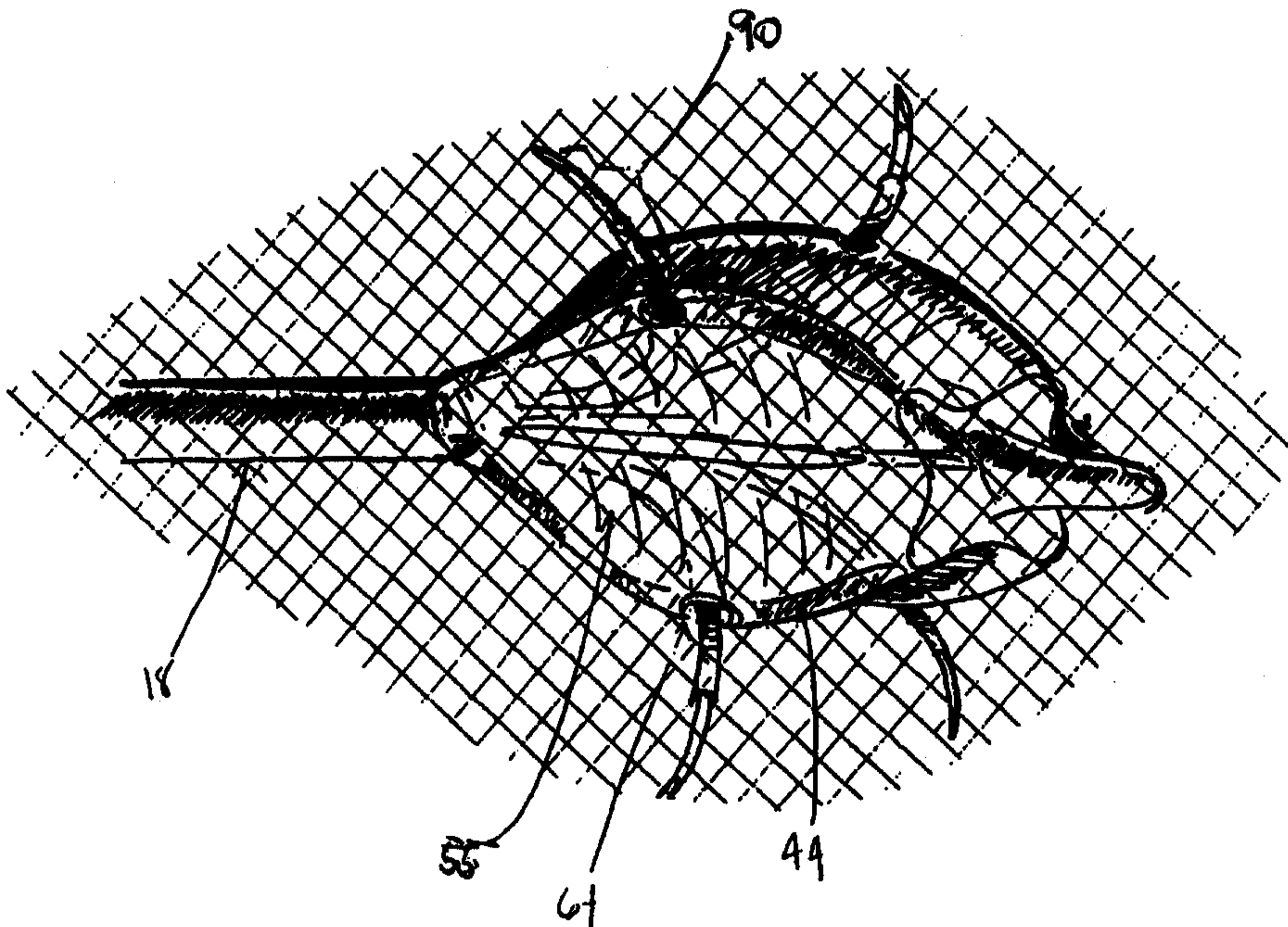
(57) A sphincter treatment apparatus includes an introduction member to be introduced through the oesophagus, the member having at its distal end an expandible basket consisting of a plurality of flexible arms, the basket being introduced through the sphincter and then mechanically expanded to dilate the sphincter. The basket has sensing electrodes to detect myoelectric potentials, and hosts a number of energy delivering electrodes, needle shaped, that can exit the basket arms to be deployed into the sphincter muscle for treatment. Cooliant and electrolyte can be used.

PCTWORLD INTELLECTUAL PROPERTY ORGANIZATION
International Bureau

INTERNATIONAL APPLICATION PUBLISHED UNDER THE PATENT COOPERATION TREATY (PCT)

<p>(51) International Patent Classification ⁶ : A61B 17/39</p>	<p>A1</p>	<p>(11) International Publication Number: WO 99/42044</p> <p>(43) International Publication Date: 26 August 1999 (26.08.99)</p>
<p>(21) International Application Number: PCT/US99/03752</p> <p>(22) International Filing Date: 19 February 1999 (19.02.99)</p> <p>(30) Priority Data: 09/026,316 19 February 1998 (19.02.98) US</p> <p>(63) Related by Continuation (CON) or Continuation-in-Part (CIP) to Earlier Application US 09/026,316 (CIP) Filed on 19 February 1998 (19.02.98)</p> <p>(71) Applicant (for all designated States except US): CONWAY-STUART MEDICAL, INC. [US/US]; 735 Palomar Avenue, Sunnyvale, CA 94086 (US).</p> <p>(72) Inventor; and (75) Inventor/Applicant (for US only): EDWARDS, Stuart, D. [US/US]; 685 Westridge Drive, Portola Valley, CA 94028 (US).</p> <p>(74) Agent: DAVIS, Paul; Wilson Sonsini Goodrich & Rosati, 650 Page Mill Road, Palo Alto, CA 94304-1050 (US).</p>		<p>(81) Designated States: AL, AM, AT, AU, AZ, BA, BB, BG, BR, BY, CA, CH, CN, CU, CZ, DE, DK, EE, ES, FI, GB, GD, GE, GH, GM, HR, HU, ID, IL, IN, IS, JP, KE, KG, KP, KR, KZ, LC, LK, LR, LS, LT, LU, LV, MD, MG, MK, MN, MW, MX, NO, NZ, PL, PT, RO, RU, SD, SE, SG, SI, SK, SL, TJ, TM, TR, TT, UA, UG, US, UZ, VN, YU, ZW, ARIPO patent (GH, GM, KE, LS, MW, SD, SZ, UG, ZW), Eurasian patent (AM, AZ, BY, KG, KZ, MD, RU, TJ, TM), European patent (AT, BE, CH, CY, DE, DK, ES, FI, FR, GB, GR, IE, IT, LU, MC, NL, PT, SE), OAPI patent (BF, BJ, CF, CG, CI, CM, GA, GN, GW, ML, MR, NE, SN, TD, TG).</p> <p>Published <i>With international search report. Before the expiration of the time limit for amending the claims and to be republished in the event of the receipt of amendments.</i></p>

(54) Title: ELECTROSURGICAL SPHINCTER TREATMENT APPARATUS



(57) Abstract

A sphincter treatment apparatus includes an introduction member to be introduced through the oesophagus, the member having at its distal end an expandible basket consisting of a plurality of flexible arms, the basket being introduced through the sphincter and then mechanically expanded to dilate the sphincter. The basket has sensing electrodes to detect myoelectric potentials, and hosts a number of energy delivering electrodes, needle shaped, that can exit the basket arms to be deployed into the sphincter muscle for treatment. Cooliant and electrolyte can be used.

ELECTROSURGICAL SPHINCTER TREATMENT APPARATUS

BACKGROUND OF THE INVENTION

5

Cross-Related Applications

This application is a continuation-in-part of U.S. Patent Application Serial No. 08/731,372, filed October 11, 1996, which is a continuation-in-part of U.S. Patent Application Serial No. 08/319,373, filed October 6, 1994, which is a continuation-in-part of U.S. Application No. 08/286,862, filed August 4, 1994, which is a continuation-in-part of U.S. Patent Application Serial No. 08/272,162, filed July 7, 1994, which is a continuation-in-part of U.S. Patent Application Serial No. 08/265,459, filed June 24, 1994, and is related to concurrently filed Application entitled "GERD Treatment Apparatus and Method" identified as Attorney Docket 14800-748, all with named inventor Stuart D. Edwards, and all of which are incorporated herein by reference.

15

Field of the Invention

This invention relates generally to an apparatus for the treatment of sphincters, and more specifically to an apparatus that treats esophageal sphincters.

20

Description of Related Art

Gastroesophageal reflux disease (GERD) is a common gastroesophageal disorder in which the stomach contents are ejected into the lower esophagus due to a dysfunction of the lower esophageal sphincter (LES). These contents are highly acidic and potentially injurious to the esophagus resulting in a number of possible complications of varying medical severity. The reported incidence of GERD in the U.S. is as high as 10% of the population (Castell DO; Johnston BT: *Gastroesophageal Reflux Disease: Current Strategies For Patient Management*. Arch Fam Med, 5(4):221-7; (1996 April)).

25

30

Acute symptoms of GERD include heartburn, pulmonary disorders and chest pain. On a chronic basis, GERD subjects the esophagus to ulcer formation, or esophagitis and may result in more severe complications including esophageal obstruction, significant blood loss and perforation of the esophagus. Severe esophageal ulcerations occur in 20-30% of patients over age 65. Moreover, GERD

causes adenocarcinoma, or cancer of the esophagus, which is increasing in incidence faster than any other cancer (Reynolds JC: *Influence Of Pathophysiology, Severity, And Cost On The Medical Management Of Gastroesophageal Reflux Disease*. Am J Health Syst Pharm, 53(22 Suppl 3):S5-12 (1996 Nov 15)).

5 One of the possible causes of GERD may be aberrant electrical signals in the LES or cardia of the stomach. Such signals may cause a higher than normal frequency of relaxations of the LES allowing acidic stomach contents to be repeatedly ejected into the esophagus and cause the complications described above. Research has shown that unnatural electrical signals in the stomach and intestine can cause reflux events in those organs (Kelly KA, et al: *Duodenal-gastric Reflux and Slowed Gastric Emptying by Electrical Pacing of the Canine Duodenal Pacemaker Potential*. Gastroenterology. 1977 Mar; 72(3): 429-433). In particular, medical research has found that sites of aberrant electrical activity or electrical foci may be responsible for those signals (Karlstrom LH, et al.: *Ectopic Jejunal Pacemakers and Enterogastric Reflux after Roux Gastrectomy: Effect Intestinal Pacing*. Surgery. 1989 Sep; 106(3): 486-495).
10 Similar aberrant electrical sites in the heart which cause contractions of the heart muscle to take on life threatening patterns or dysrhythmias can be identified and treated using mapping and ablation devices as described in US Patent No. 5,509,419. However, there is no current device or associated medical procedure available for the electrical mapping and treatment of aberrant electrical sites in the LES and stomach as a means
15 for treating GERD.

 Current drug therapy for GERD includes histamine receptor blockers which reduce stomach acid secretion and other drugs which may completely block stomach acid. However, while pharmacologic agents may provide short term relief, they do
20 not address the underlying cause of LES dysfunction.

 Invasive procedures requiring percutaneous introduction of instrumentation into the abdomen exist for the surgical correction of GERD. One such procedure, Nissen fundoplication, involves constructing a new "valve" to support the LES by wrapping the gastric fundus around the lower esophagus. Although the operation has a
25 high rate of success, it is an open abdominal procedure with the usual risks of abdominal surgery including: postoperative infection, herniation at the operative site, internal hemorrhage and perforation of the esophagus or of the cardia. In fact, a recent
30 10 year, 344 patient study reported the morbidity rate for this procedure to be 17% and

WO 99/42044

mortality 1% (Urschel, JD: *Complications Of Antireflux Surgery*, Am J Surg 166(1): 68-70; (1993 July)). This rate of complication drives up both the medical cost and convalescence period for the procedure and may exclude portions of certain patient populations (e.g., the elderly and immuno-compromised).

5 Efforts to perform Nissen fundoplication by less invasive techniques have resulted in the development of laparoscopic Nissen fundoplication. Laparoscopic Nissen fundoplication, reported by Dallemagne et al. *Surgical Laparoscopy and Endoscopy*, Vol. 1, No. 3, (1991), pp. 138-43 and by Hindler et al. *Surgical Laparoscopy and Endoscopy*, Vol. 2, No. 3, (1992), pp. 265-272, involves essentially the same steps as
10 Nissen fundoplication with the exception that surgical manipulation is performed through a plurality of surgical cannula introduced using trocars inserted at various positions in the abdomen.

 Another attempt to perform fundoplication by a less invasive technique is reported in U.S. Patent No. 5,088,979. In this procedure an invagination device
15 containing a plurality of needles is inserted transorally into the esophagus with the needles in a retracted position. The needles are extended to engage the esophagus and fold the attached esophagus beyond the gastroesophageal junction. A remotely operated stapling device, introduced percutaneously through an operating channel in the stomach wall, is actuated to fasten the invaginated gastroesophageal junction to the surrounding
20 involuted stomach wall.

 Yet another attempt to perform fundoplication by a less invasive technique is reported in US Patent No. 5,676,674. In this procedure, invagination is done by a jaw-like device and fastening of the invaginated gastroesophageal junction to the fundus of the stomach is done via a transoral approach using a remotely operated fastening device,
25 eliminating the need for an abdominal incision. However, this procedure is still traumatic to the LES and presents the postoperative risks of gastroesophageal leaks, infection and foreign body reaction, the latter two sequela resulting when foreign materials such as surgical staples are implanted in the body.

 While the methods reported above are less invasive than an open Nissen
30 fundoplication, some still involve making an incision into the abdomen and hence the increased morbidity and mortality risks and convalescence period associated with abdominal surgery. Others incur the increased risk of infection associated with placing foreign materials into the body. All involve trauma to the LES and the risk of leaks developing at the newly created gastroesophageal junction.

WO 99/42044

PCT/US99/03752

Besides the LES, there are other sphincters in the body which if not functionally properly can cause disease states or otherwise adversely affect the lifestyle of the patient. Reduced muscle tone or otherwise aberrant relaxation of sphincters can result in a laxity of tightness disease states including, but not limited to, urinary incontinence.

5 There is a need to provide an apparatus to treat a sphincter and reduce a frequency of sphincter relaxation. Another need exists for an apparatus to create controlled cell necrosis in a sphincter tissue underlying a sphincter mucosal layer. Yet another need exists for an apparatus to create cell necrosis in a sphincter and minimize injury to a mucosal layer of the sphincter. There is another need for an apparatus to
10 controllably produce a lesion in a sphincter without creating a permanent impairment of the sphincter's ability to achieve a physiologically normal state of closure. Still a further need exists for an apparatus to create a tightening of a sphincter without permanently damaging anatomical structures near the sphincter. There is still another need for an apparatus to create cell necrosis in a lower esophageal sphincter to reduce a frequency of
15 reflux of stomach contents into an esophagus.

SUMMARY OF THE INVENTION

Accordingly, an object of the present invention is to provide an apparatus to treat a sphincter and reduce a frequency of sphincter relaxation.

5 Another object of the invention is to provide an apparatus to create controlled cell necrosis in a sphincter tissue underlying a sphincter mucosal layer.

Yet another object of the invention is to provide an apparatus to create cell necrosis in a sphincter and minimize injury to a mucosal layer of the sphincter.

10 A further object of the invention is to provide an apparatus to controllably produce a lesion in a sphincter without creating a permanent impairment of the sphincter's ability to achieve a physiologically normal state of closure.

Still another object of the invention is to provide an apparatus to create a tightening of a sphincter without permanently damaging anatomical structures near the sphincter.

15 Another object of the invention is to provide an apparatus to create cell necrosis in a lower esophageal sphincter to reduce a frequency of reflux of stomach contents into an esophagus.

Yet another object of the invention is to provide an apparatus to reduce the frequency and severity of gastroesophageal reflux events.

20 These and other objects of the invention are provided in a sphincter treatment apparatus. The apparatus includes an energy delivery device introduction member including a plurality of arms. Each arm has distal and proximal ends. The distal ends of the arms are coupled as are the proximal ends of the arms. The energy delivery device introduction member is configured to be introduced in the sphincter in a non-deployed state, expand to a deployed state to at least partially dilate the sphincter. A
25 plurality of energy delivery devices are coupled to the energy delivery device introduction member. At least a portion of the plurality of energy delivery devices are controllably introducible from the energy delivery device introduction member into the sphincter.

30 In another embodiment, the sphincter treatment apparatus has an expandable basket structure. An expandable basket structure includes a first arm with a distal and a proximal section, a second arm with a distal and a proximal section, and a third arm with a distal and a proximal section. The proximal sections of the first, second and third arms are coupled to each other. The distal sections of the first, second and third arms are coupled to each other. The expanded basket structure has a non-deployed state and

a deployed state where the first, second and third arms distend away from each other. A first energy delivery device is coupled to the first arm and includes a distal portion controllably advanceable from the first arm into the sphincter.

5

BRIEF DESCRIPTION OF THE DRAWINGS

FIG. 1 is an illustrated lateral view of the upper GI tract including the esophagus and lower esophageal sphincter and the positioning of the sphincter treatment apparatus of the present invention in the lower esophageal sphincter.

10

FIG. 2 is a lateral view of the present invention illustrating the energy delivery device, power supply and expansion device in an expanded and contracted state.

FIG. 3 depicts a lateral view of the present invention that illustrates components on the flexible shaft including a proximal fitting, connections and proximal and distal shaft segments.

15

FIG. 4 illustrates a lateral view of the basket assembly used in an embodiment of the invention.

FIG. 5A is a lateral view of the basket assembly that illustrates the range of camber in the basket assembly.

20

FIG. 5B is a perspective view illustrating a balloon coupled to the basket assembly.

FIG. 6A is a lateral view of the junction between the basket arms and the shaft illustrating the pathway used for advancement of the movable wire or the delivery of fluids.

25

FIG. 6B is a frontal view of a basket arm in an alternative embodiment of the invention illustrating a track in the arm used to advance the movable wire.

FIG. 7 is a cross-sectional view of a section of the basket arm illustrating stepped and tapered sections in basket arm apertures.

FIG. 8 is a lateral view of the basket assembly illustrating the placement of the radial supporting member.

30

FIG. 9A is a lateral view of the sphincter treatment apparatus illustrating the mechanism used in one embodiment of the invention to increase the camber of the basket assembly.

FIG. 9B is a similar view to 9A showing the basket assembly in an increased state of camber.

FIG. 10 is a lateral view of the sphincter treatment apparatus illustrating the deflection mechanism.

5 FIG. 11 is a lateral view illustrating the use of electrolytic solution to create an enhanced RF electrode.

FIG. 12 is a lateral view of the basket assembly illustrating the use of needle electrodes.

10 FIG. 13 is a lateral view illustrating the use of an insulation segment on the needle electrode to protect an area of tissue from RF energy.

FIG. 14 is a lateral view illustrating the placement of needle electrodes into the sphincter wall by expansion of the basket assembly.

15 FIG. 15 is a lateral view illustrating placement of needle electrodes into the sphincter wall by advancement of an electrode delivery member out of apertures in the basket arms.

FIG. 16 is a cross sectional view illustrating the configuration of a basket arm aperture used to select and maintain a penetration angle of the needle electrode into the sphincter wall.

20 FIG. 17 is a lateral view illustrating placement of needle electrodes into the sphincter wall by advancement of an electrode delivery member directly out of the distal end of the shaft.

FIG. 18 A is a lateral view illustrating a radial distribution of electrodes on the expansion device of the invention.

25 FIG. 18B is a lateral view illustrating a longitudinal distribution of electrodes on the expansion device of the invention.

FIG. 18C is a lateral view illustrating a spiral distribution of electrodes on the expansion device of the invention.

FIG. 19 is a flow chart illustrating a sphincter treatment method using the apparatus of the present invention.

30 FIG. 20 is a lateral view of sphincter smooth muscle tissue illustrating electromagnetic foci and pathways for the origination and conduction of aberrant electrical signals in the smooth muscle of the lower esophageal sphincter or other tissue.

FIG. 21 is a lateral view of a sphincter wall illustrating the infiltration of tissue healing cells into a lesion in the smooth tissue of a sphincter following treatment with the sphincter treatment apparatus of the present invention.

5 FIG. 22 is a view similar to that of FIG. 21 illustrating shrinkage of the lesion site caused by cell infiltration.

FIG. 23 is a lateral view of the esophageal wall illustrating the preferred placement of lesions in the smooth muscle layer of a esophageal sphincter.

FIG. 24 is a lateral view illustrating the ultrasound transducer, ultrasound lens and power source of an embodiment of the present invention.

10 FIG's 25A-D are lateral views of the sphincter wall illustrating various patterns of lesions created by the apparatus of the present invention.

FIG. 26 is a lateral view of the sphincter wall illustrating the delivery of cooling fluid to the electrode-tissue interface and the creation of cooling zones.

15 FIG. 27 depicts the flow path, fluid connections and control unit employed to deliver fluid to the electrode-tissue interface.

FIG. 28 depicts the flow path, fluid connections and control unit employed to deliver fluid to the RF electrodes.

FIG. 29 is an enlarged lateral view illustrating the placement of sensors on the expansion device or basket assembly.

20 FIG. 30 depicts a block diagram of the feed back control system that can be used with the sphincter treatment apparatus.

FIG. 31 depicts a block diagram of an analog amplifier, analog multiplexer and microprocessor used with the feedback control system of FIG. 30.

25 FIG. 32 depicts a block diagram of the operations performed in the feedback control system depicted in FIG. 30.

DETAILED DESCRIPTION

Referring now to FIG.s 1 and 2, one embodiment of sphincter treatment apparatus 10 that is used to deliver energy to a treatment site 12 to produce lesions 14 in a sphincter 16, such as the lower esophageal sphincter (LES), comprises a flexible elongate shaft 18, also called shaft 18, coupled to a expansion device 20, in turn coupled with one or more energy delivery devices 22. Energy delivery devices 22 are configured to be coupled to a power source 24. The expansion device 20 is configured to be

30

positionable in a sphincter 16 such as the LES or adjacent anatomical structure, such as the cardia of the stomach. Expansion device 20 is further configured to facilitate the positioning of energy delivery devices 22 to a selectable depth in a sphincter wall 26 or adjoining anatomical structure. Expansion device 20 has a central longitudinal axis 28 and is moveable between contracted and expanded positions substantially there along. This can be accomplished by a ratchet mechanism as is known to those skilled in the art. At least portions of sphincter treatment apparatus 10 may be sufficiently radiopaque in order to be visible under fluoroscopy and/or sufficiently echogenic to be visible under ultrasonography. Also as will be discussed herein, sphincter treatment apparatus 10 can include visualization capability including, but not limited to, a viewing scope, an expanded eyepiece, fiber optics, video imaging and the like.

Referring to FIG. 2, shaft 18 is configured to be coupled to expansion device 20 and has sufficient length to position expansion device 20 in the LES and/or stomach using a transoral approach. Typical lengths for shaft 18 include, but are not limited to, a range of 40-180 cms. In various embodiments, shaft 18 is flexible, articulated and steerable and can contain fiber optics (including illumination and imaging fibers, fluid and gas paths, and sensor and electronic cabling. In one embodiment, shaft 18 can be a multi-lumen catheter, as is well known to those skilled in the art. In another embodiment, an introducing member 21, also called an introducer, is used to introduce sphincter treatment apparatus 10 into the LES. Introducer 21 can also function as a sheath for expansion device 20 to keep it in a nondeployed or contracted state during introduction into the LES. In various embodiments, introducer 21 is flexible, articulated and steerable and contains a continuous lumen of sufficient diameter to allow the advancement of sphincter treatment apparatus 10. Typical diameters for introducer 21 include 0.1 to 2 inches, while typical length include 40-180 cms. Suitable materials for introducer 21 include coil-reinforced plastic tubing as is well known to those skilled in the art.

Referring now to FIG. 3, the flexible elongate shaft 18 is circular in cross section and has proximal and distal extremities (also called ends) 30 and 32. Shaft 18 may also be coupled at its proximal end 32 to a proximal fitting 34, also called a handle, used by the physician to manipulate sphincter treatment apparatus 10 to reach treatment site 12. Shaft 18 may have one or more lumens 36, that extend the full length of shaft 18, or part way from shaft proximal end 30 to shaft distal end 32. Lumens 36 may be used as paths for catheters, guide wires, pull wires, insulated wires and cabling, fluid

and optical fibers. Lumens 36 are connected to and/or accessed by connections 38 on or adjacent to proximal fitting 34. Connections 38 can include luer-lock, lemo connector, swage and other mechanical varieties well known to those skilled in the art.

Connections 38 can also include optical/video connections which allow optical and electronic coupling of optical fibers and/or viewing scopes to illuminating sources, eye pieces and video monitors. In various embodiments, shaft 18 may stop at the proximal extremity 40 of expansion device 20 or extend to, or past, the distal extremity 42 of expansion device 20. Suitable materials for shaft 18 include, but are not limited to, polyethylenes, polyurethanes and other medical plastics known to those skilled in the art.

Referring now to FIG. 4, in one embodiment of the present invention expansion device 20 comprises one or more elongated arms 44 that are joined at their proximal ends 46 and distal ends 48 to form a basket assembly 50. Proximal arm end 46 is attached to a supporting structure, which can be the distal end 32 of shaft 18 or a proximal cap 51. Likewise, distal arm end 48 is also attached to a supporting structure which can be a basket cap 52 or shaft 18. Attached arms 44 may form a variety of geometric shapes including, but not limited to, curved, rectangular, trapezoidal and triangular. Arms 44 can have a variety of cross sectional geometries including, but not limited to, circular, rectangular and crescent-shaped. Also, arms 44 are of a sufficient number (two or more), and have sufficient spring force (0.01 to 0.5 lbs. force) so as to collectively exert adequate force on sphincter wall 26 to sufficiently open and efface the folds of sphincter 16 to allow treatment with sphincter treatment apparatus 10, while preventing herniation of sphincter wall 26 into the spaces 53 between arms 44. Suitable materials for arms 44 include, but are not limited to, spring steel, stainless steel, superelastic shape memory metals such as nitinol or wire reinforced plastic tubing as is well known to those skilled in the art.

Referring to FIG. 5A, arms 44 can have an outwardly bowed shaped memory for expanding the basket assembly into engagement with sphincter wall 26 with the amount of bowing, or camber 54 being selectable from a range 0 to 2 inches from longitudinal axis 28 of basket assembly 50. For the case of a curve-shaped arm 44', expanded arms 44' are circumferentially and symmetrically spaced-apart.

In another embodiment shown in FIG 5B, an expandable member 55, which can be a balloon, is coupled to an interior or exterior of basket assembly 50. Balloon 55 is also coupled to and inflated by lumen 36 using gas or liquid. In various other

embodiments (not shown), arms 44 may be asymmetrically spaced and/or distributed on an arc less than 360 °. Also, arms 44 may be preshaped at time of manufacture or shaped by the physician.

Referring now to FIG. 6A, arms 44 may also be solid or hollow with a
5 continuous lumen 58 that may be coupled with shaft lumens 36. These coupled lumens provide a path for the delivery of a fluid or electrode delivery member 60 from shaft 18 to any point on basket assembly 50. In various embodiments electrode delivery member 60 can be an insulated wire, an insulated guide wire, a plastic-coated stainless steel hypotube with internal wiring or a plastic catheter with internal wiring, all of which are
10 known to those skilled in the art. As shown in FIG. 6B, arms 44 may also have a partially open channel 62, also called a track 62, that functions as a guide track for electrode delivery member 60. Referring back to FIG. 6A, arms 44 may have one or more apertures 64 at any point along their length that permit the controlled placement of energy delivery devices 22 at or into sphincter wall 26. Referring now to FIG. 7,
15 apertures 64 may have tapered sections 66 or stepped sections 68 in all or part of their length, that are used to control the penetration depth of energy delivery devices 22 into sphincter wall 26. Referring back to FIG. 6A, apertures 64 in combination with arm lumens 58 and shaft lumens 36 may be used for the delivery of cooling solution 70 or electrolytic solution 72 to treatment site 12 as described herein. Additionally, arms 44
20 can also carry a plurality of longitudinally spaced apart radiopaque and or echogenic markers or traces, not shown in the drawings, formed of suitable materials to permit viewing of basket assembly 50 via fluoroscopy or ultrasonography. Suitable radiopaque materials include platinum or gold, while suitable echogenic materials include gas filled micro-particles as described in US Patent No 's 5,688,490 and 5,205,287. Arms 44 may
25 also be color-coded to facilitate their identification via visual medical imaging methods and equipment, such as endoscopic methods, which are well known to those skilled in the art.

In another embodiment of the present invention, a supporting member 74 is attached to two or more arms 44. Supporting member 74, also called a strut, can be
30 attached to arms 44 along a circumference of basket assembly 50 as shown in FIG. 8. Apertures 64 can extend through radial supporting member 74 in one or more places. Radial supporting member 74 serves the following functions: i) facilitates opening and effacement of the folds of sphincter 16, ii) enhances contact of Apertures 64 with sphincter wall 26; and, iii) reduces or prevents the tendency of arms 44 to bunch up.

The cross sectional geometry of radial supporting member 74 can be rectangular or circular, though it will be appreciated that other geometries are equally suitable.

In one embodiment shown in FIG. 9, arms 44 are attached to basket cap 52 that in turn, moves freely over shaft 18, but is stopped distally by shaft cap 78. One or more pull wires 80 are attached to basket cap 52 and also to a movable fitting 82 in proximal fitting 34 of sphincter treatment apparatus 10. When pull wire 80 is pulled back by movable fitting 82, the camber 54 of basket assembly 50 increases to 54', increasing the force and the amount of contact applied by basket assembly 50 to sphincter wall 26 or an adjoining structure. Basket assembly 50 can also be deflected from side to side using deflection mechanism 80. This allows the physician to remotely point and steer the basket assembly within the body. In one embodiment shown in FIG. 10, deflection mechanism 84 includes a second pull wire 80' attached to shaft cap 78 and also to a movable slide 86 integral to proximal fitting 34.

Turning now to a discussion of energy delivery, suitable power sources 24 and energy delivery devices 22 that can be employed in one or more embodiments of the invention include: (i) a radio-frequency (RF) source coupled to an RF electrode, (ii) a coherent source of light coupled to an optical fiber, (iii) an incoherent light source coupled to an optical fiber, (iv) a heated fluid coupled to a catheter with a closed channel configured to receive the heated fluid, (v) a heated fluid coupled to a catheter with an open channel configured to receive the heated fluid, (vi) a cooled fluid coupled to a catheter with a closed channel configured to receive the cooled fluid, (vii) a cooled fluid coupled to a catheter with an open channel configured to receive the cooled fluid, (viii) a cryogenic fluid, (ix) a resistive heating source, (x) a microwave source providing energy from 915 MHz to 2.45 GHz and coupled to a microwave antenna, (xi) an ultrasound power source coupled to an ultrasound emitter, wherein the ultrasound power source produces energy in the range of 300 KHZ to 3 GHz, or (xii) a microwave source. For ease of discussion for the remainder of this application, the power source utilized is an RF source and energy delivery device 22 is one or more RF electrodes 88, also described as electrodes 88. However, all of the other herein mentioned power sources and energy delivery devices are equally applicable to sphincter treatment apparatus 10.

For the case of RF energy, RF electrode 88 may operated in either bipolar or monopolar mode with a ground pad electrode. In a monopolar mode of delivering RF energy, a single electrode 88 is used in combination with an indifferent electrode patch that is applied to the body to form the other electrical contact and complete an

electrical circuit. Bipolar operation is possible when two or more electrodes 88 are used. Multiple electrodes 88 may be used. These electrodes may be cooled as described herein. Electrodes 88 can be attached to electrode delivery member 60 by the use of soldering methods which are well known to those skilled in the art. Suitable
5 solders include Megabond Solder supplied by the Megatrade Corporation (Milwaukee, Wisconsin).

Suitable electrolytic solutions 72 include saline, solutions of calcium salts, potassium salts, and the like. Electrolytic solutions 72 enhance the electrical conductivity of the targeted tissue at the treatment site 12. When a highly conductive
10 fluid such as electrolytic solution 72 is infused into tissue the electrical resistance of the infused tissue is reduced, in turn, increasing the electrical conductivity of the infused tissue. As a result, there will be little tendency for tissue surrounding electrode 88 to desiccate (a condition described herein that increases the electrical resistance of tissue) resulting in a large increase in the capacity of the tissue to carry
15 RF energy. Referring to FIG. 11, a zone of tissue which has been heavily infused with a concentrated electrolytic solution 72 can become so conductive as to actually act as an enhanced electrode 88'. The effect of enhanced electrode 88' is to increase the amount of current that can be conducted to the treatment site 12, making it possible to heat a much greater volume of tissue in a given time period.

20 Also when the power source is RF, power source 24, which will now be referred to as RF power source 24, may have multiple channels, delivering separately modulated power to each electrode 88. This reduces preferential heating that occurs when more energy is delivered to a zone of greater conductivity and less heating occurs around electrodes 88 which are placed into less conductive tissue. If the level
25 of tissue hydration or the blood infusion rate in the tissue is uniform, a single channel RF power source 24 may be used to provide power for generation of lesions 14 relatively uniform in size.

Electrodes 88 can have a variety of shapes and sizes. Possible shapes include, but are not limited to, circular, rectangular, conical and pyramidal. Electrode surfaces
30 can be smooth or textured and concave or convex. The conductive surface area of electrode 88 can range from 0.1 mm² to 100 cm². It will be appreciated that other geometries and surface areas may be equally suitable. In one embodiment, electrodes 88 can be in the shape of needles and of sufficient sharpness and length to penetrate into

the smooth muscle of the esophageal wall, sphincter 16 or other anatomical structure. In this embodiment shown in FIG.s 12 and 13, needle electrodes 90 are attached to arms 44 and have an insulating layer 92, covering an insulated segment 94 except for an exposed segment 95. For purposes of this disclosure, an insulator or insulation layer is a barrier to either thermal, RF or electrical energy flow. Insulated segment 94 is of sufficient length to extend into sphincter wall 26 and minimize the transmission of RF energy to a protected site 97 near or adjacent to insulated segment 94 (see FIG. 13). Typical lengths for insulated segment 94 include, but are not limited to, 1-4 mms. Suitable materials for needle electrodes 90 include, but are not limited to, 304 stainless steel and other stainless steels known to those skilled in the art. Suitable materials for insulating layer 92 include, but are not limited to, polyimides and polyamides.

During introduction of sphincter treatment apparatus 10, basket assembly 50 is in a contracted state. Once sphincter treatment apparatus 10 is properly positioned at the treatment site 12, needle electrodes 90 are deployed by expansion of basket assembly 50, resulting in the protrusion of needle electrodes 90 into the smooth muscle tissue of sphincter wall 26 (refer to FIG. 14). The depth of needle penetration is selectable from a range of 0.5 to 5 mms and is accomplished by indexing movable fitting 82 so as to change the camber 54 of arm 44 in fixed increments that can be selectable in a range from 0.1 to 4 mms. Needle electrodes 90 are coupled to power source 24 via insulated wire 60.

In another embodiment of sphincter treatment apparatus 10 shown in FIG.15, needle electrodes 90 are advanced out of apertures 64 in basket arms 44 into the smooth muscle of the esophageal wall or other sphincter 16. In this case, needle electrodes 90 are coupled to RF power source 24 by electrode delivery member 60. In this embodiment, the depth of needle penetration is selectable via means of stepped sections 66 or tapered sections 68 located in apertures 64. Referring to FIG.16, apertures 64 and needle electrodes 90 are configured such that the penetration angle 96 (also called an emergence angle 96) of needle electrode 90 into sphincter wall 26 remains sufficiently constant during the time needle electrode 90 is being inserted into sphincter wall 26, such that there is no tearing or unnecessary trauma to sphincter wall tissue. This is facilitated by the selection of the following parameters and criteria: i) the emergence angle 96 of apertures 64 which can vary from 1 to 90°, ii) the arc radius 98 of the curved section 100 of aperture 64 which can vary from 0.001 to 2 inch, iii) the amount of clearance between the aperture inner diameter 102 and the needle electrode outside

diameter 104 which can vary between 0.001" and 0.1"; and, iv) use of a lubricous coating on electrode delivery member 60 such as a Teflon ® or other coatings well known to those skilled in the art. Also in this embodiment, insulated segment 94 can be in the form of a sleeve that may be adjustably positioned at the exterior of electrode 90.

In another alternative embodiment shown in FIG. 17, electrode delivery member 60 with attached needle electrodes 90, can exit from lumen 36 at distal shaft end 32 and be positioned into contact with sphincter wall 26. This process may be facilitated by use of a hollow guiding member 101, known to those skilled in the art as a guiding catheter, through which electrode delivery member 60 is advanced. Guiding catheter 101 may also include stepped sections 66 or tapered sections 68 at its distal end to control the depth of penetration of needle electrode 90 into sphincter wall 26.

RF energy flowing through tissue causes heating of the tissue due to absorption of the RF energy by the tissue and ohmic heating due to electrical resistance of the tissue. This heating can cause injury to the affected cells and can be substantial enough to cause cell death, a phenomenon also known as cell necrosis. For ease of discussion for the remainder of this application, cell injury will include all cellular effects resulting from the delivery of energy from electrode 88 up to, and including, cell necrosis. Cell injury can be accomplished as a relatively simple medical procedure with local anesthesia. In one embodiment, cell injury proceeds to a depth of approximately 1-4 mms from the surface of the mucosal layer of sphincter 16 or that of an adjoining anatomical structure.

Referring now to FIG.s 18A, 18B and 18C, electrodes 88 and/or apertures 64 may be distributed in a variety of patterns along expansion device 20 or basket assembly 50 in order to produce a desired placement and pattern of lesions 14. Typical electrode and aperture distribution patterns include, but are not limited to, a radial distribution 105 (refer to FIG. 18A) or a longitudinal distribution 106 (refer to FIG. 18B). It will be appreciated that other patterns and geometries for electrode and aperture placement, such as a spiral distribution 108 (refer to FIG. 18C) may also be suitable. These electrodes may be cooled as described hereafter.

FIG. 19 is a flow chart illustrating one embodiment of the procedure for using sphincter treatment apparatus 10. In this embodiment, sphincter treatment apparatus 10 is first introduced into the esophagus under local anesthesia. Sphincter treatment apparatus 10 can be introduced into the esophagus by itself or through a lumen in an

endoscope (not shown), such as disclosed in U.S. Patents Nos. 5,448,990 and 5,275,608, incorporated herein by reference, or similar esophageal access device known to those skilled in the art. Basket assembly 50 is expanded as described herein. This serves to temporarily dilate the LES or sufficiently to efface a portion of or all of the folds of the LES. In an alternative embodiment, esophageal dilation and subsequent LES fold effacement can be accomplished by insufflation of the esophagus (a known technique) using gas introduced into the esophagus through shaft lumen 36, or an endoscope or similar esophageal access device as described above. Once treatment is completed, basket assembly 50 is returned to its predeployed or contracted state and sphincter treatment apparatus 10 is withdrawn from the esophagus. This results in the LES returning to approximately its pretreatment state and diameter. It will be appreciated that the above procedure is applicable in whole or part to the treatment of other sphincters in the body.

The diagnostic phase of the procedure can be performed using a variety of diagnostic methods, including, but not limited to, the following:

- (i) visualization of the interior surface of the esophagus via an endoscope or other viewing apparatus inserted into the esophagus,
- (ii) visualization of the interior morphology of the esophageal wall using ultrasonography to establish a baseline for the tissue to be treated,
- (iii) impedance measurement to determine the electrical conductivity between the esophageal mucosal layers and sphincter treatment apparatus 10 and
- (iv) measurement and surface mapping of the electropotential of the LES during varying time periods which may include such events as depolarization, contraction and repolarization of LES smooth muscle tissue. This latter technique is done to determine target treatment sites 12 in the LES or adjoining anatomical structures that are acting as foci 107 or pathways 109 for abnormal or inappropriate polarization and relaxation of the smooth muscle of the LES (Refer to FIG. 20).

In the treatment phase of the procedure, the delivery of energy to treatment site 12 can be conducted under feedback control, manually or by a combination of both. Feedback control (described herein) enables sphincter treatment apparatus 10 to be positioned and retained in the esophagus during treatment with minimal attention by the physician. Electrodes 88 can be multiplexed in order to treat the entire targeted treatment site 12 or only a portion thereof. Feedback can be included and is achieved by the use of one or more of the following methods: (i) visualization, (ii) impedance measurement, (iii) ultrasonography, (iv) temperature measurement; and, (v) sphincter

contractile force measurement via manometry. The feedback mechanism permits the selected on-off switching of different electrodes 88 in a desired pattern, which can be sequential from one electrode 88 to an adjacent electrode 88, or can jump around between non-adjacent electrodes 88. Individual electrodes 88 are multiplexed and volumetrically controlled by a controller.

The area and magnitude of cell injury in the LES or sphincter 16 can vary. However, it is desirable to deliver sufficient energy to the targeted treatment site 12 to be able to achieve tissue temperatures in the range of 55-95° C and produce lesions 14 at depths ranging from 1-4 mms from the interior surface of the LES or sphincter wall 26. Typical energies delivered to the esophageal wall include, but are not limited to, a range between 100 and 50,000 joules per electrode 88. It is also desirable to deliver sufficient energy such that the resulting lesions 14 have a sufficient magnitude and area of cell injury to cause an infiltration of lesion 14 by fibroblasts 110, myofibroblasts 112, macrophages 114 and other cells involved in the tissue healing process (refer to FIG. 21). As shown in FIG. 22, these cells cause a contraction of tissue around lesion 14, decreasing its volume and, or altering the biomechanical properties at lesion 14 so as to result in a tightening of LES or sphincter 16. These changes are reflected in transformed lesion 14' shown in FIG. 19B. The diameter of lesions 14 can vary between 0.1 to 4 mms. It is preferable that lesions 14 are less than 4 mms in diameter in order to reduce the risk of thermal damage to the mucosal layer. In one embodiment, a 2 mm diameter lesion 14 centered in the wall of the smooth muscle provides a 1 mm buffer zone to prevent damage to the mucosa, submucosa and adventitia, while still allowing for cell infiltration and subsequent sphincter tightening on approximately 50% of the thickness of the wall of the smooth muscle (refer to FIG. 23).

From a diagnostic standpoint, it is desirable to image the interior surface and wall of the LES or other sphincter 16, including the size and position of created lesions 14. It is desirable to create a map of these structures which can input to a controller and used to direct the delivery of energy to the treatment site. Referring to FIG. 24, this can be accomplished through the use of ultrasonography (a known procedure) which involves the use of an ultrasound power source 116 coupled to one or more ultrasound transducers 118 that are positioned on expansion device 20 or basket assembly 50. An output is associated with ultrasound power source 116.

Each ultrasound transducer 118 can include a piezoelectric crystal 120 mounted on a backing material 122 that is in turn, attached to expansion device 20 or basket

assembly 50. An ultrasound lens 124, fabricated on an electrically insulating material 126, is mounted over piezoelectric crystal 120. Piezoelectric crystal 120 is connected by electrical leads 128 to ultrasound power source 116. Each ultrasound transducer 118 transmits ultrasound energy into adjacent tissue. Ultrasound transducers 118 can be in the form of an imaging probe such as Model 21362, manufactured and sold by Hewlett Packard Company, Palo Alto, California. In one embodiment, two ultrasound transducers 118 are positioned on opposite sides of expansion device 20 or basket assembly 50 to create an image depicting the size and position of lesion 14 in selected sphincter 16.

It is desirable that lesions 14 are predominantly located in the smooth muscle layer of selected sphincter 16 at the depths ranging from 1 to 4 mms from the interior surface of sphincter wall 26. However, lesions 14 can vary both in number and position within sphincter wall 26. It may be desirable to produce a pattern of multiple lesions 14 within the sphincter smooth muscle tissue in order to obtain a selected degree of tightening of the LES or other sphincter 16. Typical lesion patterns shown in FIG.s 25A-D include, but are not limited to, (i) a concentric circle of lesions 14 all at fixed depth in the smooth muscle layer evenly spaced along the radial axis of sphincter 16, (ii) a wavy or folded circle of lesions 14 at varying depths in the smooth muscle layer evenly spaced along the radial axis of sphincter 16, (iii) lesions 14 randomly distributed at varying depths in the smooth muscle, but evenly spaced in a radial direction; and, (iv) an eccentric pattern of lesions 14 in one or more radial locations in the smooth muscle wall. Accordingly, the depth of RF and thermal energy penetration sphincter 16 is controlled and selectable. The selective application of energy to sphincter 16 may be the even penetration of RF energy to the entire targeted treatment site 12, a portion of it, or applying different amounts of RF energy to different sites depending on the condition of sphincter 16. If desired, the area of cell injury can be substantially the same for every treatment event.

Referring to FIG. 26, it may be desirable to cool all or a portion of the area near the electrode-tissue interface 130 before, during or after the delivery of energy in order to reduce the degree and area of cell injury. Specifically, the use of cooling preserves the mucosal layers of sphincter wall 26 and protects, or otherwise reduces the degree of cell damage to cooled zone 132 in the vicinity of lesion 14. Referring now to FIG. 27, this can be accomplished through the use of cooling solution 70 that is delivered by apertures 64 which is in fluid communication with shaft lumen 36 that is, in turn, in

fluid communication with fluid reservoir 134 and a control unit 136, whose operation is described herein, that controls the delivery of the fluid.

Similarly, it may also be desirable to cool all or a portion of the electrode 88. The rapid delivery of heat through electrode 88, may result in the build up of charred biological matter on electrode 88 (from contact with tissue and fluids e.g., blood) that impedes the flow of both thermal and electrical energy from electrode 88 to adjacent tissue and causes an electrical impedance rise beyond a cutoff value set on RF power source 24. A similar situation may result from the desiccation of tissue adjacent to electrode 88. Cooling of the electrode 88 can be accomplished by cooling solution 70 that is delivered by apertures 64 as described previously. Referring now to FIG. 28, electrode 88 may also be cooled via a fluid channel 138 in electrode 88 that is in fluid communication with fluid reservoir 134 and control unit 136 .

As shown in FIG. 29, one or more sensors 140 may be positioned adjacent to or on electrode 88 for sensing the temperature of sphincter tissue at treatment site 12. More specifically, sensors 140 permit accurate determination of the surface temperature of sphincter wall 26 at electrode-tissue interface 130. This information can be used to regulate both the delivery of energy and cooling solution 70 to the interior surface of sphincter wall 26. In various embodiments, sensors 140 can be positioned at any position on expansion device 20 or basket assembly 50. Suitable sensors that may be used for sensor 140 include: thermocouples, fiber optics, resistive wires, thermocouple IR detectors, and the like. Suitable thermocouples for sensor 140 include: T type with copper constantene, J type, E type and K types as are well known those skilled in the art.

Temperature data from sensors 140 are fed back to control unit 136 and through an algorithm which is stored within a microprocessor memory of control unit 136. Instructions are sent to an electronically controlled micropump (not shown) to deliver fluid through the fluid lines at the appropriate flow rate and duration to provide control temperature at the electrode-tissue interface 130 (refer to FIG. 27).

The reservoir of control unit 136 may have the ability to control the temperature of the cooling solution 70 by either cooling the fluid or heating the fluid. Alternatively, a fluid reservoir 134 of sufficient size may be used in which the cooling solution 70 is introduced at a temperature at or near that of the normal body temperature. Using a thermally insulated reservoir 142, adequate control of the tissue

temperature may be accomplished without need of refrigeration or heating of the cooling solution 70. Cooling solution 70 flow is controlled by control unit 136 or another feedback control system (described herein) to provide temperature control at the electrode-tissue interface 130.

5 A second diagnostic phase may be included after the treatment is completed. This provides an indication of LES tightening treatment success, and whether or not a second phase of treatment, to all or only a portion of the esophagus, now or at some later time, should be conducted. The second diagnostic phase is accomplished through one or more of the following methods: (i) visualization, (ii) measuring impedance, (iii)
10 ultrasonography, (iv) temperature measurement, or (v) measurement of LES tension and contractile force via manometry.

 In one embodiment, sphincter treatment apparatus 10 is coupled to an open or closed loop feedback system. Referring now to FIG. 30, an open or closed loop feedback system couples sensor 346 to energy source 392. In this embodiment,
15 electrode 314 is one or more RF electrodes 314.

 The temperature of the tissue, or of RF electrode 314 is monitored, and the output power of energy source 392 adjusted accordingly. The physician can, if desired, override the closed or open loop system. A microprocessor 394 can be included and incorporated in the closed or open loop system to switch power on and
20 off, as well as modulate the power. The closed loop system utilizes microprocessor 394 to serve as a controller, monitor the temperature, adjust the RF power, analyze the result, refeed the result, and then modulate the power.

 With the use of sensor 346 and the feedback control system a tissue adjacent to RF electrode 314 can be maintained at a desired temperature for a selected period of
25 time without causing a shut down of the power circuit to electrode 314 due to the development of excessive electrical impedance at electrode 314 or adjacent tissue as is discussed herein. Each RF electrode 314 is connected to resources which generate an independent output. The output maintains a selected energy at RF electrode 314 for a selected length of time.

30 Current delivered through RF electrode 314 is measured by current sensor 396. Voltage is measured by voltage sensor 398. Impedance and power are then calculated at power and impedance calculation device 400. These values can then be displayed at

user interface and display 402. Signals representative of power and impedance values are received by a controller 404.

5 A control signal is generated by controller 404 that is proportional to the difference between an actual measured value, and a desired value. The control signal is used by power circuits 406 to adjust the power output in an appropriate amount in order to maintain the desired power delivered at respective RF electrodes 314.

In a similar manner, temperatures detected at sensor 346 provide feedback for maintaining a selected power. Temperature at sensor 346 is used as a safety means to interrupt the delivery of energy when maximum pre-set temperatures are exceeded.
10 The actual temperatures are measured at temperature measurement device 408, and the temperatures are displayed at user interface and display 402. A control signal is generated by controller 404 that is proportional to the difference between an actual measured temperature and a desired temperature. The control signal is used by power circuits 406 to adjust the power output in an appropriate amount in order to maintain
15 the desired temperature delivered at the sensor 346. A multiplexer can be included to measure current, voltage and temperature, at the sensor 346, and energy can be delivered to RF electrode 314 in monopolar or bipolar fashion.

Controller 404 can be a digital or analog controller, or a computer with software. When controller 404 is a computer it can include a CPU coupled through a
20 system bus. This system can include a keyboard, a disk drive, or other non-volatile memory systems, a display, and other peripherals, as are known in the art. Also coupled to the bus is a program memory and a data memory.

User interface and display 402 includes operator controls and a display. Controller 404 can be coupled to imaging systems including, but not limited to,
25 ultrasound, CT scanners, X-ray, MRI, mammographic X-ray and the like. Further, direct visualization and tactile imaging can be utilized.

The output of current sensor 396 and voltage sensor 398 are used by controller 404 to maintain a selected power level at RF electrode 314. The amount of RF energy delivered controls the amount of power. A profile of the power delivered to electrode
30 314 can be incorporated in controller 404 and a preset amount of energy to be delivered may also be profiled.

Circuitry, software and feedback to controller 404 result in process control, the maintenance of the selected power setting which is independent of changes in voltage

or current, and is used to change the following process variables: (i) the selected power setting, (ii) the duty cycle (e.g., on-off time), (iii) bipolar or monopolar energy delivery; and, (iv) fluid delivery, including flow rate and pressure. These process variables are controlled and varied, while maintaining the desired delivery of power independent of changes in voltage or current, based on temperatures monitored at sensor 346.

Referring now to FIG. 31, current sensor 396 and voltage sensor 398 are connected to the input of an analog amplifier 410. Analog amplifier 410 can be a conventional differential amplifier circuit for use with sensor 346. The output of analog amplifier 410 is sequentially connected by an analog multiplexer 412 to the input of A/D converter 414. The output of analog amplifier 410 is a voltage which represents the respective sensed temperatures. Digitized amplifier output voltages are supplied by A/D converter 414 to microprocessor 394. Microprocessor 394 may be a type 68HCII available from Motorola. However, it will be appreciated that any suitable microprocessor or general purpose digital or analog computer can be used to calculate impedance or temperature.

Microprocessor 394 sequentially receives and stores digital representations of impedance and temperature. Each digital value received by microprocessor 394 corresponds to different temperatures and impedances.

Calculated power and impedance values can be indicated on user interface and display 402. Alternatively, or in addition to the numerical indication of power or impedance, calculated impedance and power values can be compared by microprocessor 394 to power and impedance limits. When the values exceed predetermined power or impedance values, a warning can be given on user interface and display 402, and additionally, the delivery of RF energy can be reduced, modified or interrupted. A control signal from microprocessor 394 can modify the power level supplied by energy source 392.

FIG. 32 illustrates a block diagram of a temperature and impedance feedback system that can be used to control the delivery of energy to tissue site 416 by energy source 392 and the delivery of cooling solution 70 to electrode 314 and/or tissue site 416 by flow regulator 418. Energy is delivered to RF electrode 314 by energy source 392, and applied to tissue site 416. A monitor 420 ascertains tissue impedance, based on the energy delivered to tissue, and compares the measured impedance value to a set

value. If the measured impedance exceeds the set value, a disabling signal 422 is transmitted to energy source 392, ceasing further delivery of energy to RF electrode 314. If measured impedance is within acceptable limits, energy continues to be applied to the tissue.

5 The control of cooling solution 70 to electrode 314 and/or tissue site 416 is done in the following manner. During the application of energy, temperature measurement device 408 measures the temperature of tissue site 416 and/or RF electrode 314. A comparator 424 receives a signal representative of the measured temperature and compares this value to a pre-set signal representative of the desired
10 temperature. If the tissue temperature is too high, comparator 424 sends a signal to a flow regulator 418 (connected to an electronically controlled micropump, not shown) representing a need for an increased cooling solution flow rate. If the measured temperature has not exceeded the desired temperature, comparator 424 sends a signal to flow regulator 418 to maintain the cooling solution flow rate at its existing level.

15 The foregoing description of a preferred embodiment of the invention has been presented for purposes of illustration and description. It is not intended to be exhaustive or to limit the invention to the precise forms disclosed. Obviously, many modifications and variations will be apparent to practitioners skilled in this art. It is intended that the scope of the invention be defined by the following claims and their equivalents.

20 What is claimed is:

CLAIMS

1. A sphincter treatment apparatus, comprising:
a energy delivery device introduction member including a plurality of arms,
5 each arm of the plurality including a distal section and a proximal section with each of
the plurality of arm distal sections being coupled and each of the arm proximal sections
being coupled, wherein the energy delivery device introduction member is configured to
be introduced in the sphincter in a non-deployed state, and expand to a deployed state to
at least partially dilate the sphincter; and
10 a plurality of energy delivery devices coupled to the energy delivery device
introduction member, at least a portion of the plurality of energy delivery devices being
controllably introducible from the energy delivery device introduction member into the
sphincter.
- 15 2. The apparatus of claim 1, wherein the energy delivery device
introduction member has a deployed basket configuration.
3. The apparatus of claim 1, wherein each of the arm distal sections are
coupled to a distal cap member.
20
4. The apparatus of claim 3, wherein each of the arm proximal sections are
coupled to a proximal cap member.
5. The apparatus of claim 1, wherein each of the arm proximal sections are
25 coupled to a distal portion of a catheter.
6. The apparatus of claim 5, wherein each of the arm distal sections are
coupled to a distal cap member.
- 30 7. The apparatus of claim 1, wherein each of the plurality of arms have
curved geometries.
8. The apparatus of claim 1, wherein the plurality of arms includes four
arms.

9. The apparatus of claim 8, further including four struts coupled to the four arms.
10. The apparatus of claim 1, wherein at least a plurality of the arms have distinctive markings.
11. The apparatus of claim 10, wherein the distinctive markings are color codings.
12. The apparatus of claim 1, wherein the plurality of energy delivery devices each have a distal portion with a geometric configuration that is advanceable into the sphincter with a minimal amount of tearing of a mucosa of the sphincter.
13. The apparatus of claim 1, wherein a distal portion of at least a portion of energy delivery devices have distal ends that are advanceable into the sphincter while maintaining a constant angle of penetration through a sphincter surface.
14. The apparatus of claim 1, wherein the plurality of energy delivery devices each have a distal portion with a geometric configuration that substantially enters the sphincter at a non-oblique angle relative to an associated arm.
15. The apparatus of claim 1, wherein the plurality of energy delivery devices each have a distal portion with a geometric configuration that substantially enters the sphincter at a ninety degree angle relative to an associated arm.
16. The apparatus of claim 1, wherein the plurality of energy delivery devices each have a distal portion with a geometric configuration that retains substantially a same geometry as the distal portion is introduced into the sphincter.
17. The apparatus of claim 1, further comprising:
a plurality of struts coupled to the plurality of arms.
18. The apparatus of claim 1, further comprising:

a strut energy delivery device coupled to at least one of the plurality of struts, the strut energy delivery device being controllably introducible into the sphincter.

5 19. The apparatus of claim 1, further comprising:
a removable sheath housing the energy delivery device introduction member plurality in the non-deployed state.

10 20. The apparatus of claim 1, further comprising:
an introducer housing the energy delivery device introduction member in the non-deployed state.

15 21. The apparatus of claim 1, further comprising:
an advancement member coupled to the energy delivery device introduction member.

 22. The apparatus of claim 1, further including an expandable member positioned within an interior defined by the energy delivery device introduction member.

20 23. The apparatus of claim 22, wherein the expandable member includes a plurality of fluid introduction apertures to introduce a fluid from an interior of the expandable member.

25 24. The apparatus of claim 22, wherein the expandable member is a balloon.

 25. The apparatus of claim 1, wherein at least a portion of the plurality of arms is at least partially made of a shaped memory alloy.

30 26. The apparatus of claim 1, wherein the at least a portion of the plurality of arms is at least partially made of steel.

 27. The apparatus of claim 1, wherein at least a portion of the plurality of arms is at least partially made of spring steel.

28. The apparatus of claim 1, wherein at least a portion of the plurality of arms is at least partially made of plastic.

5 29. The apparatus of claim 1, wherein the at least a portion of the plurality of arms each include a lumen.

30. The apparatus of claim 29, wherein at least a portion of the plurality of arms each include an aperture coupled to a lumen.

10 31. The apparatus of claim 30, wherein each of the plurality of energy delivery devices is positionable in the lumen and advanceable from the aperture coupled to the lumen into the sphincter.

15 32. The apparatus of claim 1, wherein at least a portion of the plurality of energy delivery devices is a plurality of RF electrodes.

20 33. The apparatus of claim 1, wherein at least a portion of the plurality of energy delivery devices is a plurality of RF electrodes each with a tissue piercing distal end.

34. The apparatus of claim 32, further comprising:
an insulation sleeve in a surrounding relationship to at least one of the plurality of RF electrodes.

25 35. The apparatus of claim 1, further comprising:
a sensor coupled to at least one of the plurality of energy delivery devices.

30 36. The apparatus of claim 35, wherein the sensor is coupled to a distal portion of at least one of the plurality of energy delivery devices.

37. The apparatus of claim 1, wherein at least a portion of the plurality of energy delivery devices is a waveguide.

38. The apparatus of claim 1, wherein at least a portion of the plurality of energy delivery devices is a microwave antenna.

5 39. The apparatus of claim 1, wherein at least a portion of the plurality of energy delivery devices is an acoustical transducer.

40. The apparatus of claim 1, wherein at least a portion of the plurality of energy delivery devices is a resistive heating device.

10 41. The apparatus of claim 1, further comprising:
a visualization device coupled to the energy delivery device introduction member.

15 42. The apparatus of claim 1, further comprising:
an extension member coupled to at least a portion of the plurality of arms.

20 43. The apparatus of claim 1, wherein at least a portion of the plurality of energy delivery devices are positionable along an exterior of at least a portion of the plurality of arms.

44. The apparatus of claim 1, wherein the sphincter is a lower esophageal sphincter.

25 45. The apparatus of claim 44, wherein a configuration of the energy delivery device introduction member coupled to the plurality of energy delivery devices creates a plurality of lesions in the lower esophageal sphincter and reduces a duration of lower esophageal sphincter relaxation.

30 46. The apparatus of claim 44, wherein a configuration of the energy delivery device introduction member coupled to the plurality of energy delivery devices creates a plurality of lesions in the lower esophageal sphincter and reduces a frequency of reflux of stomach contents into an esophagus.

47. The apparatus of claim 44, wherein a configuration of the energy delivery device introduction member coupled to the plurality of energy delivery devices creates a plurality of lesions in the lower esophageal sphincter and reduces a frequency of a symptom of reflux of stomach contents into an esophagus.

5

48. The apparatus of claim 44, wherein a configuration of the energy delivery device introduction member coupled to the plurality of energy delivery devices creates a plurality of lesions in the lower esophageal sphincter and reduces an incidence of a sequela of reflux of stomach contents into an esophagus.

10

49. The apparatus of claim 1, further comprising:
an energy delivery device depth control member coupled to at least a portion of the plurality of energy delivery devices.

15

50. A sphincter treatment apparatus, comprising:
an expandable basket structure including, a first arm with a distal and a proximal section, a second arm with a distal and a proximal section, and a third arm with a distal and a proximal section, the proximal sections of the first, second and third arms being coupled to each other and the distal sections of the first, second and third arms being coupled to each other, the expanded basket structure having a non-deployed state and a deployed state where the first, second and third arms distend away from each other; and

20

a first energy delivery device coupled to the first arm and including a distal portion controllably advanceable from the first arm into the sphincter.

25

51. The apparatus of claim 50, further comprising:
a support member with a support member distal portion and a support member proximal portion, wherein the distal portions of the first, second and third arms are coupled to the support member distal portion.

30

52. The apparatus of claim 50, further comprising:
a second energy delivery device coupled to the second arm and including a distal portion controllably advanceable from the second arm into the sphincter.

53. The apparatus of claim 52, further comprising:
a third energy delivery device coupled to the third arm and including a distal portion controllably advanceable from the third arm into the sphincter.
- 5 54. The apparatus of claim 50, wherein each of the arm distal sections are coupled to a distal cap member.
55. The apparatus of claim 54, wherein each of the arm proximal sections are coupled to a proximal cap member.
- 10 56. The apparatus of claim 50, wherein each of the arm proximal sections are coupled to a distal portion of a catheter.
57. The apparatus of claim 56, wherein each of the arm distal sections are coupled to a distal cap member.
- 15 58. The apparatus of claim 50, wherein each of the first, second and third arms have curved geometries.
59. The apparatus of claim 50, further including a fourth arm.
- 20 60. The apparatus of claim 59, further including four struts coupled to the four arms.
61. The apparatus of claim 50, wherein at least a portion of the first, second and third arms have a distinctive marking.
- 25 62. The apparatus of claim 61, wherein the distinctive markings are color codings.
- 30 63. The apparatus of claim 50, wherein the distal portions of the first, second and third energy delivery devices have a geometric configuration that creates a minimal of tearing of a mucosa of the sphincter when introduced into the sphincter.

64. The apparatus of claim 50, wherein the distal portions of the first, second and third energy delivery devices have a geometric configuration that enters the sphincter substantially at a non-oblique angle relative to an associated arm.

5 65. The apparatus of claim 50, wherein the distal portions of the first, second and third energy delivery devices have a geometric configuration that enters the sphincter substantially at a ninety degree angle relative to an associated arm.

10 66. The apparatus of claim 50, wherein the distal portions of the first, second and third energy delivery devices have a geometric configuration that retains substantially a same geometry as each distal portion is introduced into the sphincter.

15 67. The apparatus of claim 50, further comprising:
a strut coupled to the first and second arms.

68. The apparatus of claim 50, further comprising:
a strut energy delivery device coupled to the strut.

20 69. The apparatus of claim 50, further comprising:
a removable sheath housing the expandable basket structure in the non-deployed state.

25 70. The apparatus of claim 50, further comprising:
an introducer housing the expandable basket structure in the non-deployed state.

71. The apparatus of claim 50, further comprising:
an energy delivery device advancement member coupled to the expandable basket structure.

30 72. The apparatus of claim 50, further including an expandable member positioned within an interior defined by the expandable basket structure.

73. The apparatus of claim 72, wherein the expandable member includes a plurality of fluid introduction apertures to introduce a fluid from an interior of the expandable member.

5 74. The apparatus of claim 72, wherein the expandable member is a balloon.

75. The apparatus of claim 50, wherein at least a portion of the first, second and third arms are made of a shaped memory alloy.

10

76. The apparatus of claim 50, wherein at least a portion of the first, second and third arms are made of steel.

15

77. The apparatus of claim 50, wherein at least a portion of the first, second and third arms are made of spring steel.

78. The apparatus of claim 50, wherein the first arm includes an internal lumen, the second arm includes an internal lumen and the third arm includes an internal lumen.

20

79. The apparatus of claim 78, wherein each lumen of the first, second and third arms is coupled to an aperture formed in each arm.

25

80. The apparatus of claim 79, wherein the first energy delivery device is positionable in the lumen of the first arm, the second energy delivery device is positionable in the lumen of the second arm and the third energy delivery device is positionable in the lumen of the third arm.

30

81. The apparatus of claim 50, wherein the first, second and third energy delivery devices are each RF electrodes.

82. The apparatus of claim 50, wherein the first, second and third energy delivery devices are each RF electrodes with a tissue piercing distal end.

83. The apparatus of claim 81, further comprising:
an insulation sleeve in a surrounding relationship to at least one of the RF
electrodes.
- 5 84. The apparatus of claim 50, further comprising:
a sensor coupled to at least one of the first, second or third energy delivery
devices.
- 10 85. The apparatus of claim 84, wherein the sensor is coupled to the distal
portion of one of the first, second or third energy delivery devices.
86. The apparatus of claim 50, wherein the first, second and third energy
delivery devices are each waveguides.
- 15 87. The apparatus of claim 50, wherein the first, second and energy
delivery devices are each microwave antennas.
88. The apparatus of claim 50, wherein the first, second and third energy
delivery devices are acoustical transducers.
- 20 89. The apparatus of claim 50, wherein the first, second and third energy
delivery devices are each resistive heating devices.
90. The apparatus of claim 50, further comprising:
a visualization device coupled to the expandable basket structure.
- 25 91. The apparatus of claim 50, further comprising:
an extension member coupled to at least a portion of the plurality of arms.
- 30 92. The apparatus of claim 50, wherein the first, second and third energy
delivery devices are positionable along an exterior of at first, second and third arms.
93. The apparatus of claim 50, wherein the sphincter is a lower esophageal
sphincter.

94. The apparatus of claim 93, wherein the controlled introduction of the first, second and third energy delivery device distal ends in the lower esophageal sphincter creates a plurality of lesions in the lower esophageal sphincter and reduces a duration of lower esophageal sphincter relaxation.

5

95. The apparatus of claim 93, wherein the controlled introduction of the first, second and third energy delivery device distal ends into the lower esophageal sphincter creates a plurality of lesions in the lower esophageal sphincter and reduces a frequency of reflux of stomach contents into an esophagus.

10

96. The apparatus of claim 93, wherein the controlled introduction of the first, second and third energy delivery device distal ends into the lower esophageal sphincter creates a plurality of lesions in the lower esophageal sphincter and reduces a frequency of a symptom of reflux of stomach contents into an esophagus.

15

97. The apparatus of claim 93, wherein the controlled introduction of the first, second and third energy delivery device distal ends into the lower esophageal sphincter creates a plurality of lesions in the lower esophageal sphincter and reduces an incidence of a sequela of reflux of stomach contents into an esophagus.

20

98. The apparatus of claim 50, further comprising:
an energy delivery device depth control member coupled at least one of the first, second or third energy delivery devices.

25

FIG. 1

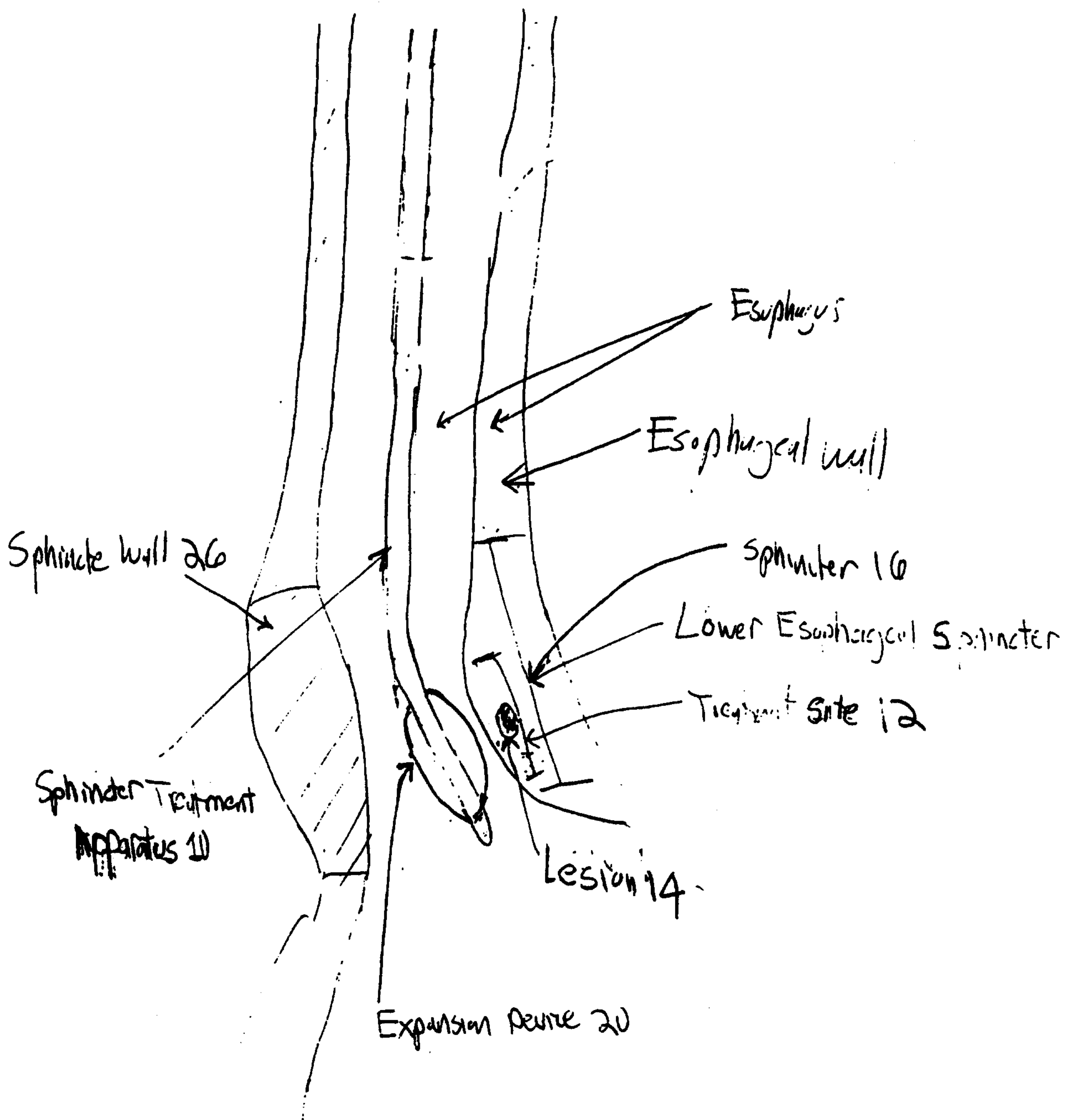


FIG. 2

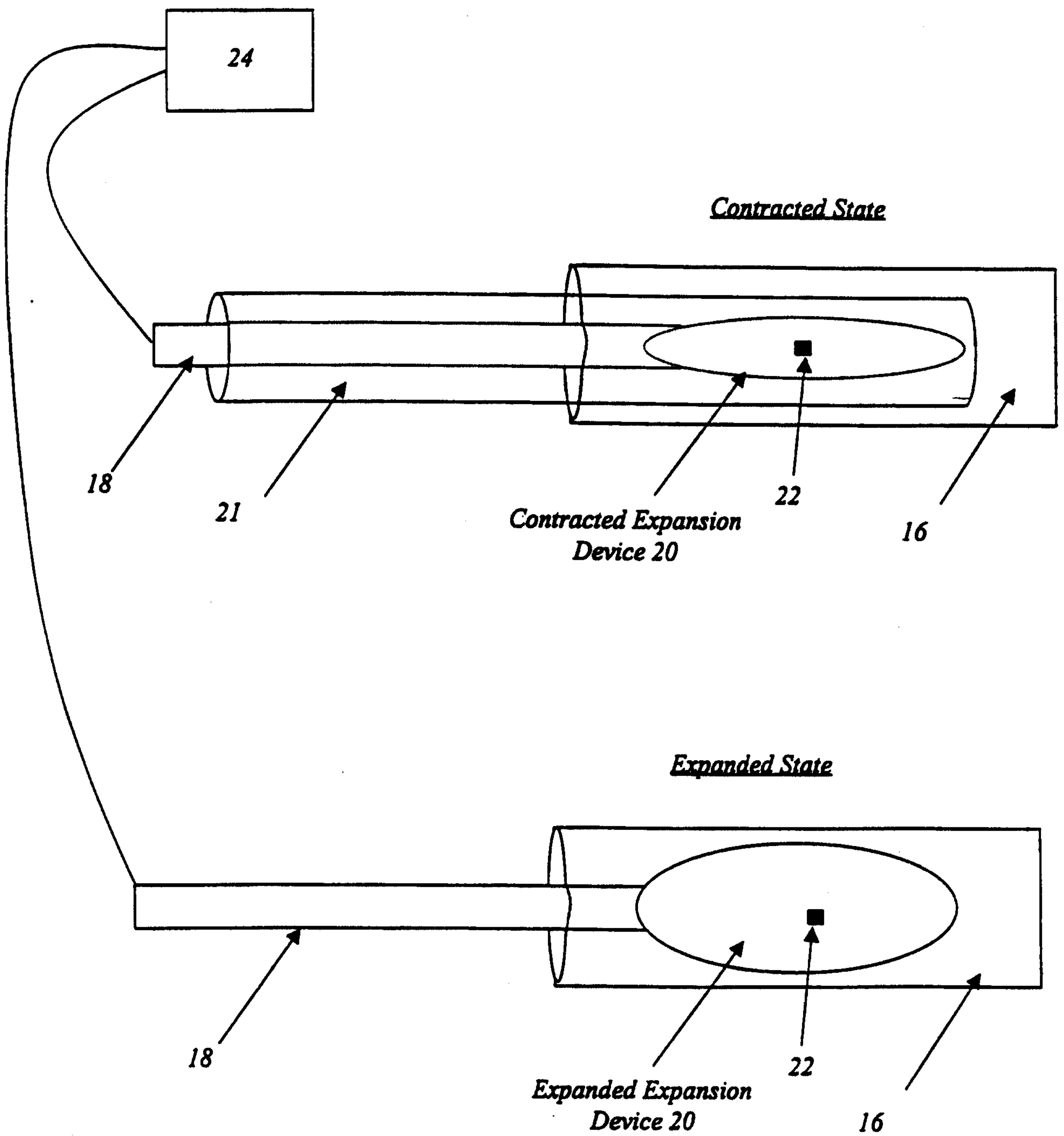


FIG. 3

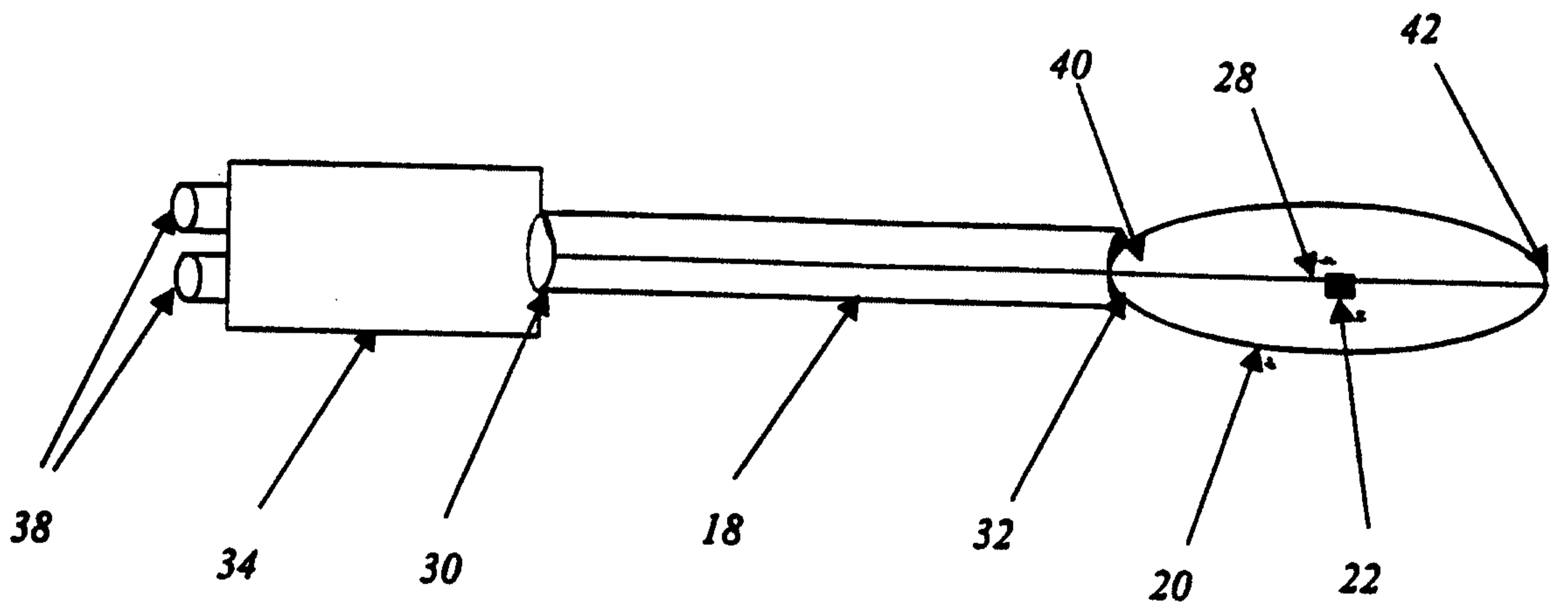


FIG. 4

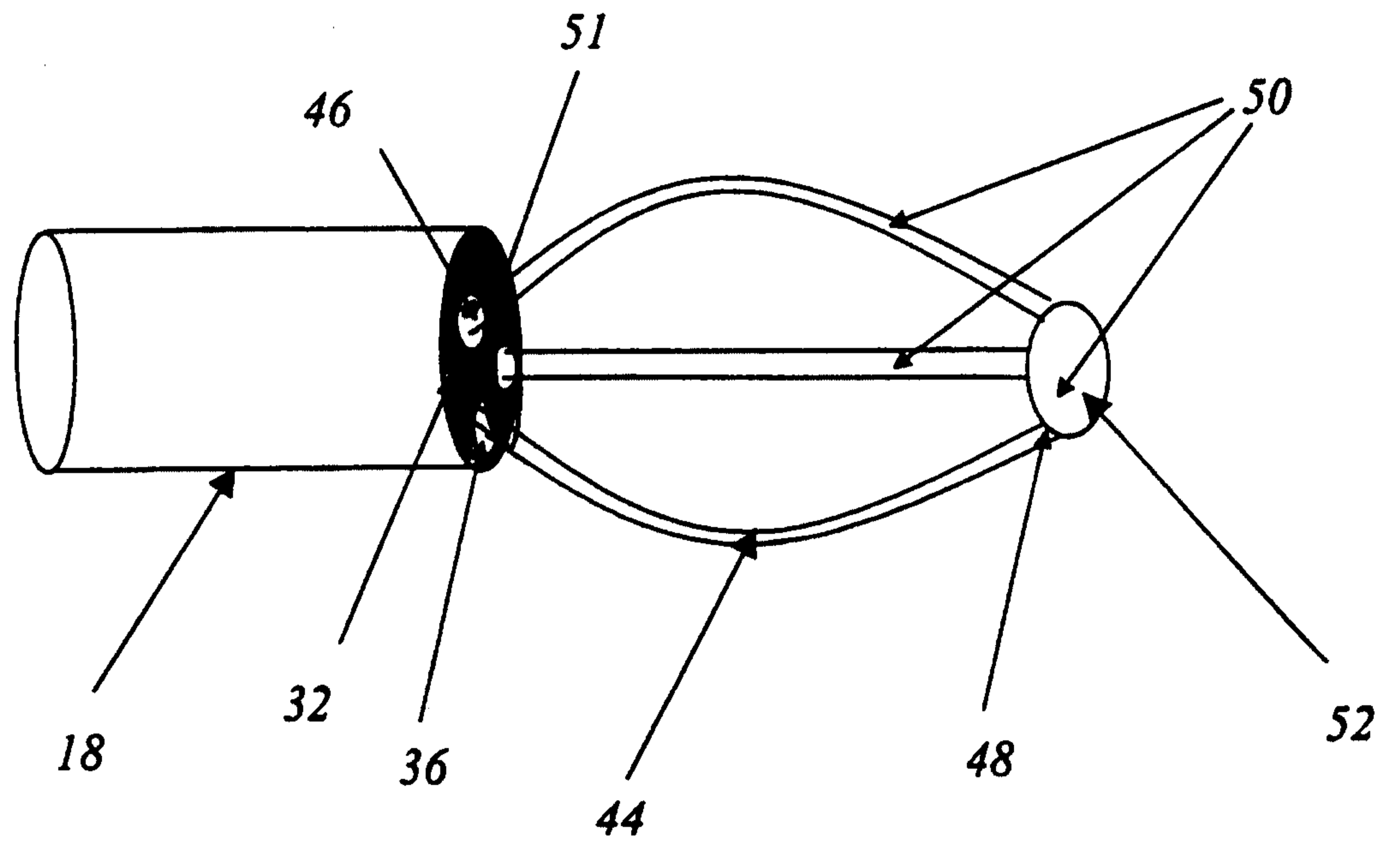


FIG. 5A

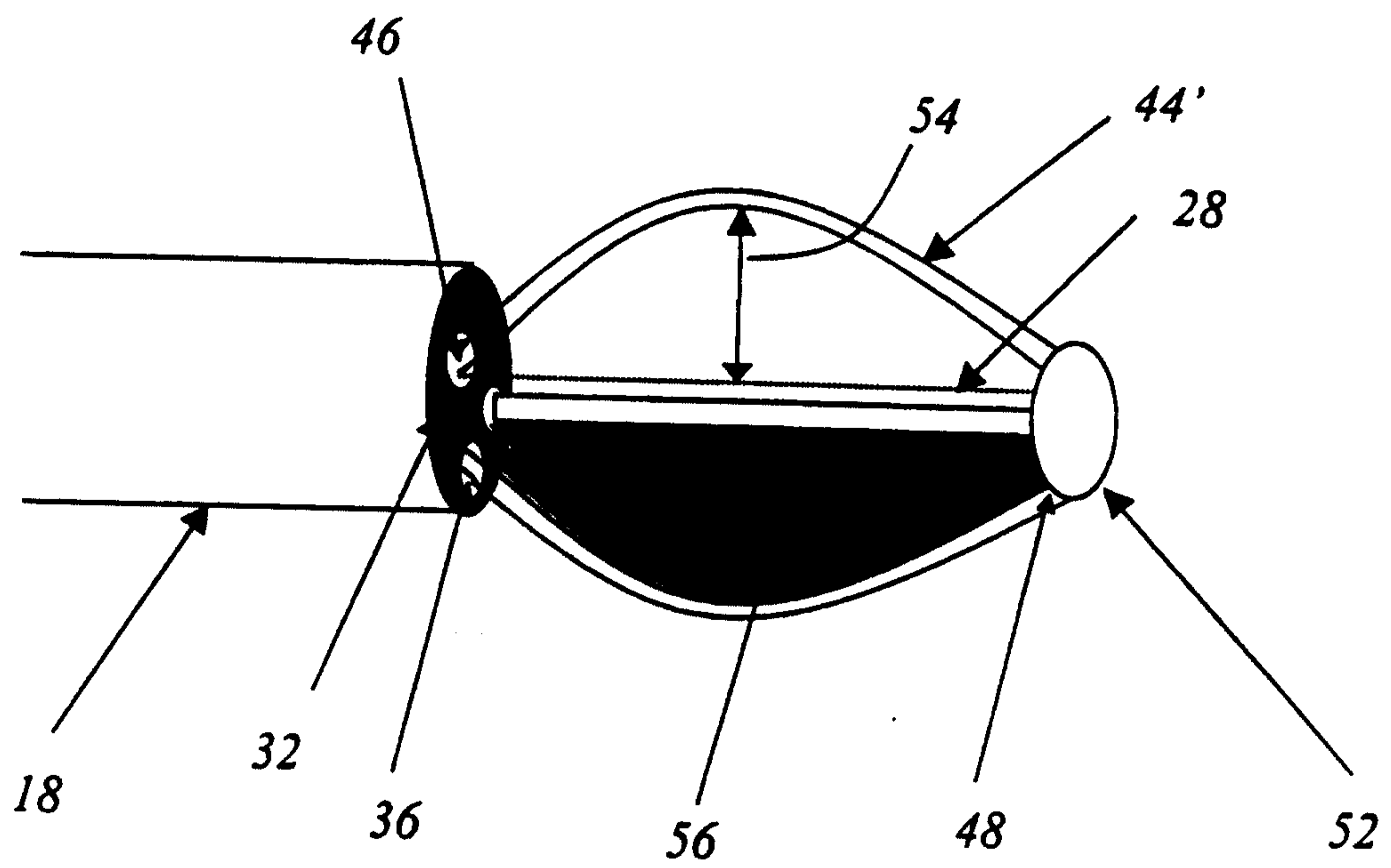
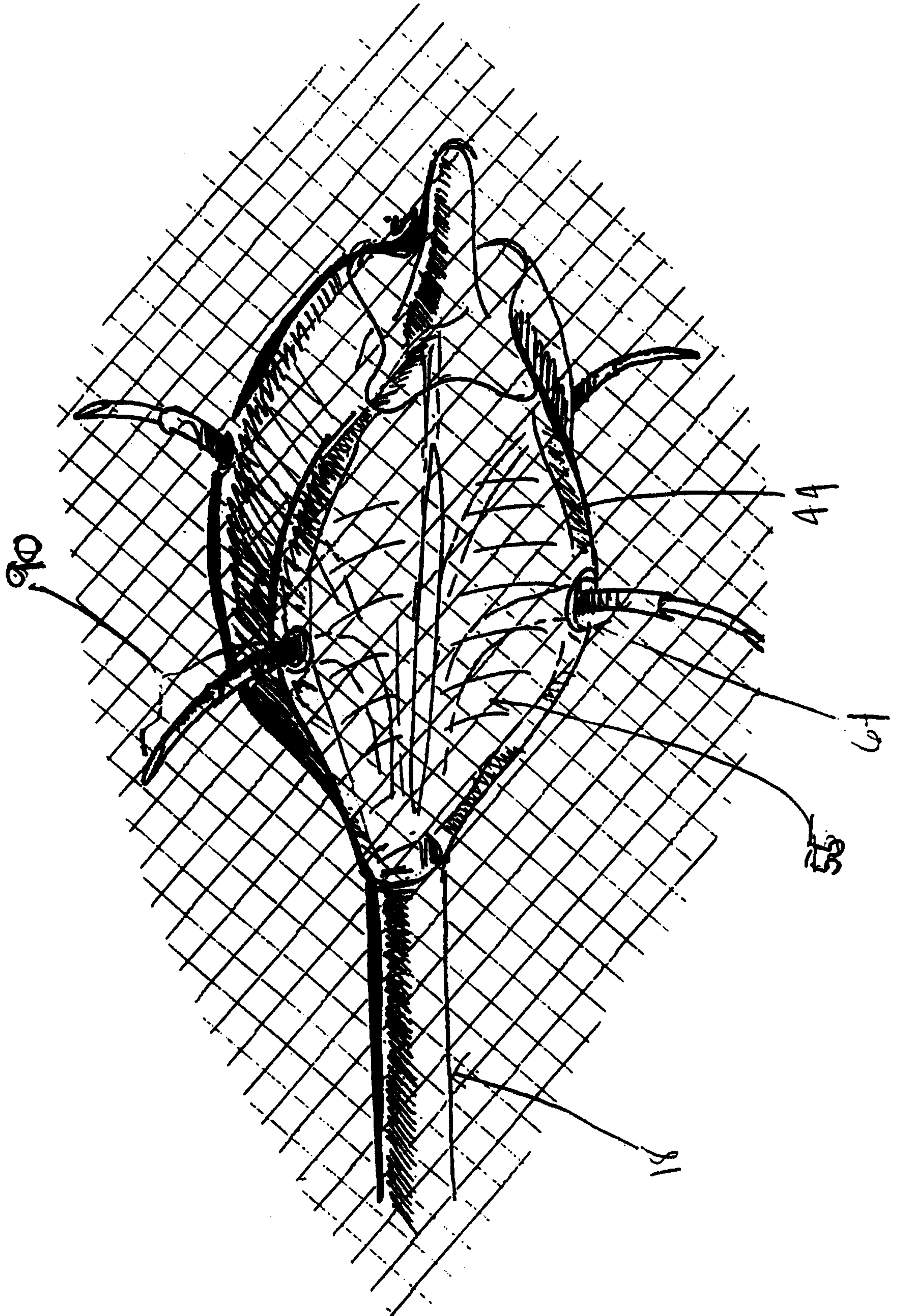


FIG. 5B



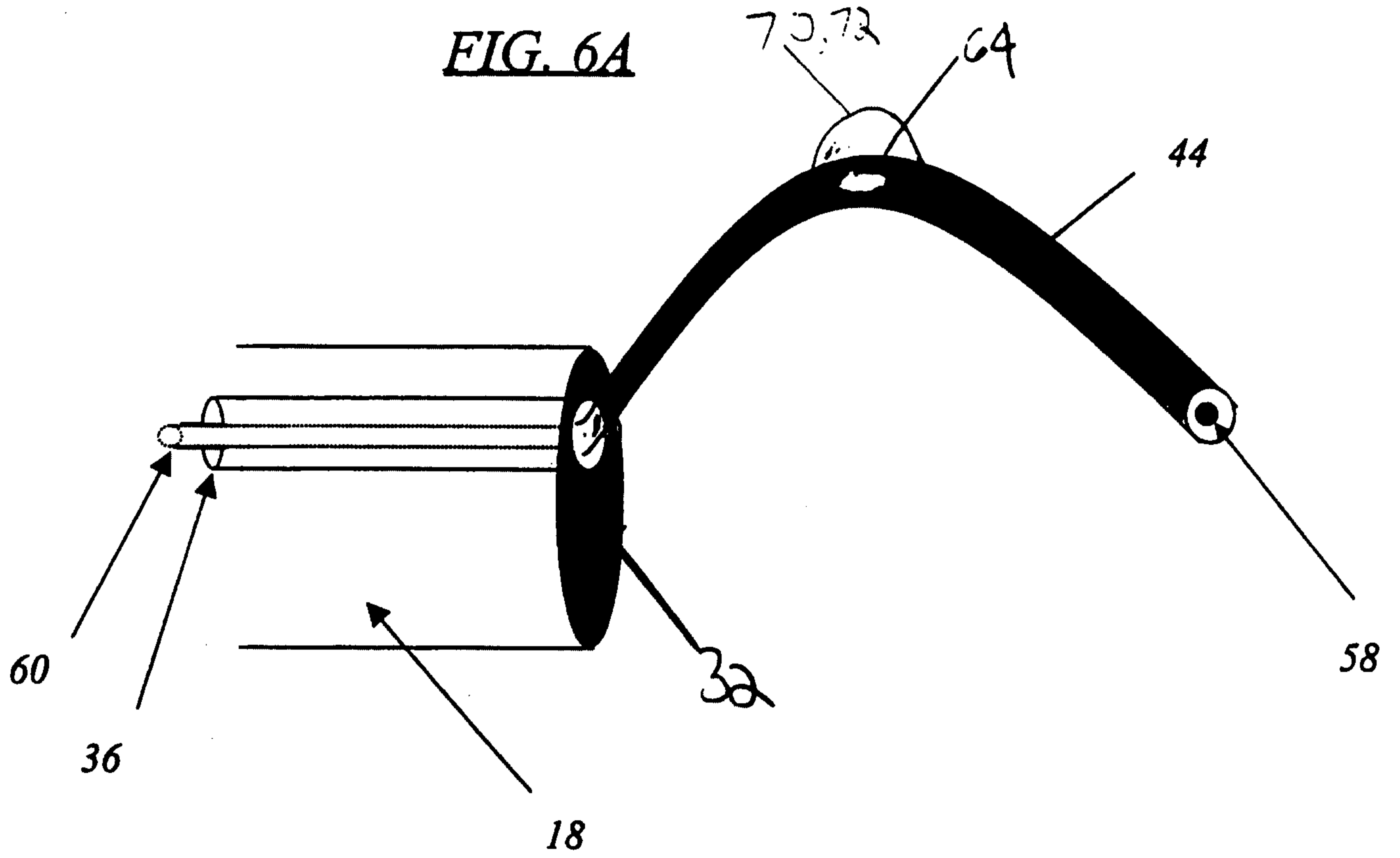
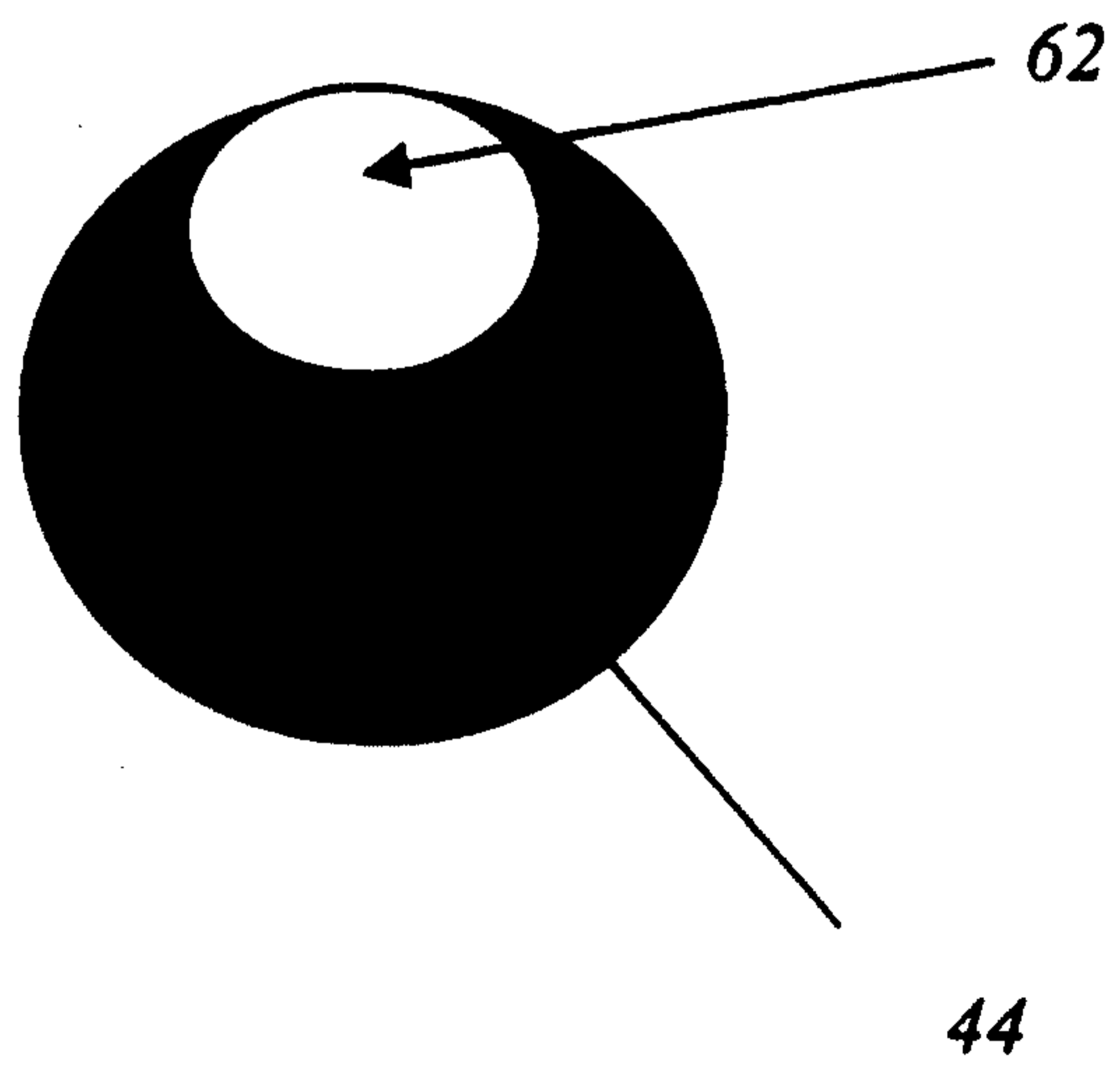


FIG. 6B



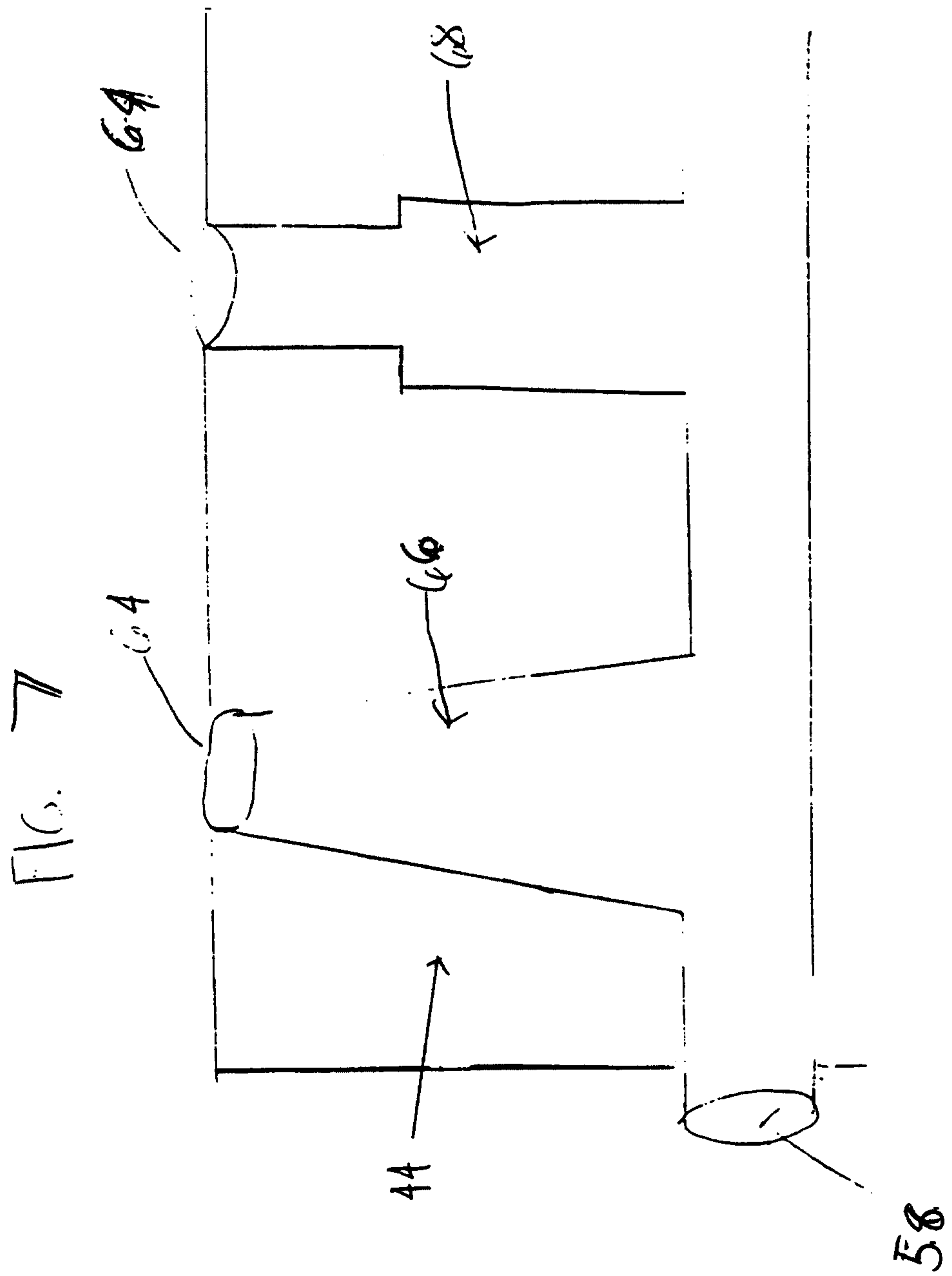


FIG. 8

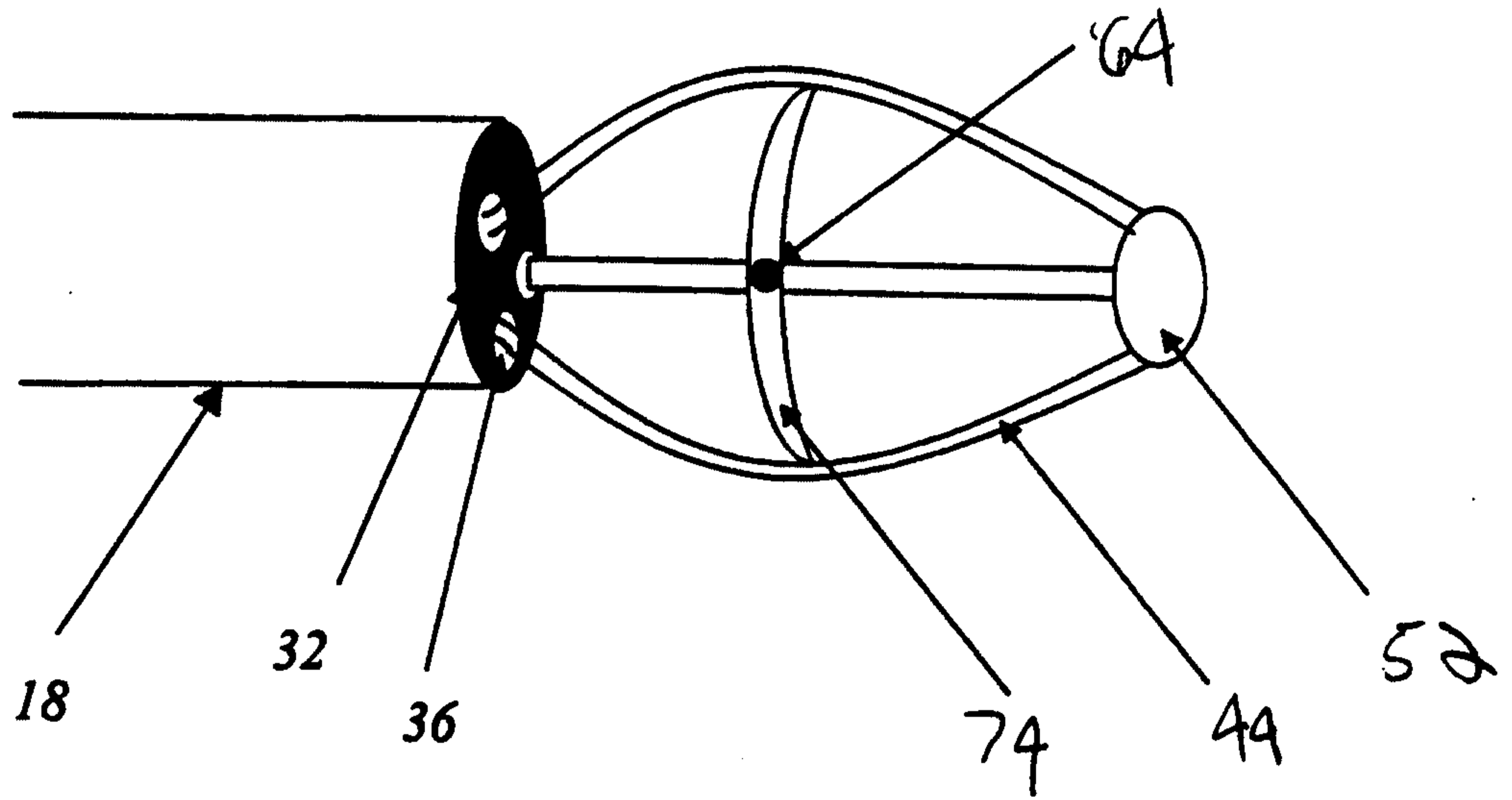


FIG. 9A

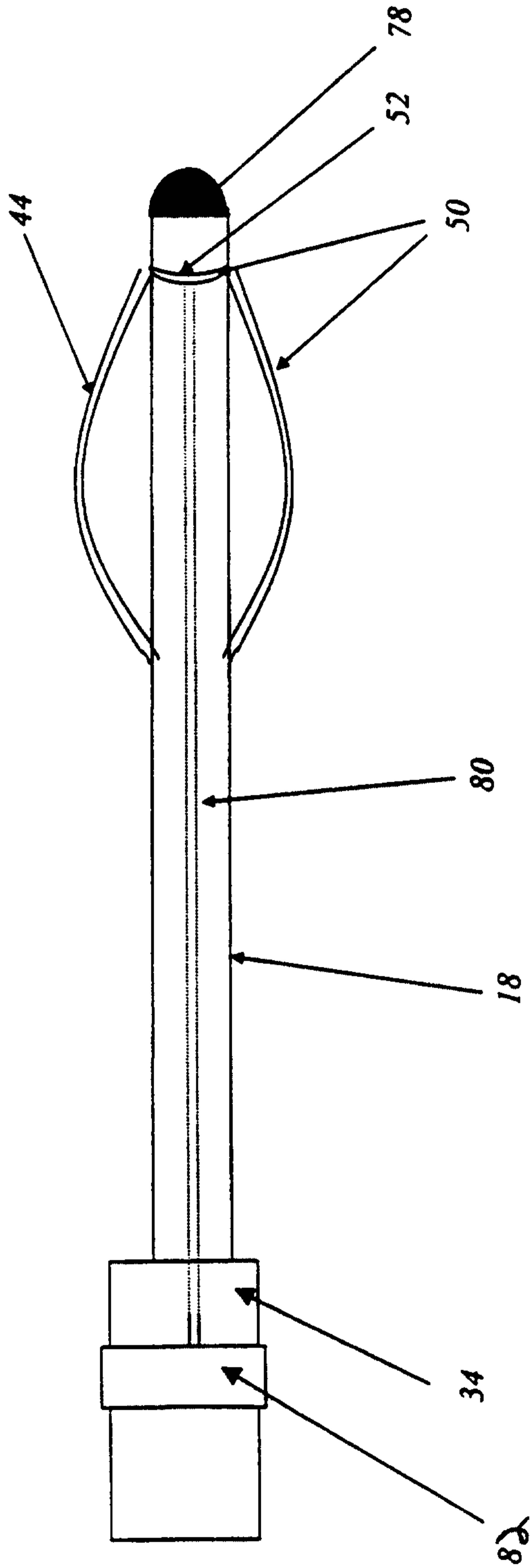


FIG. 9B

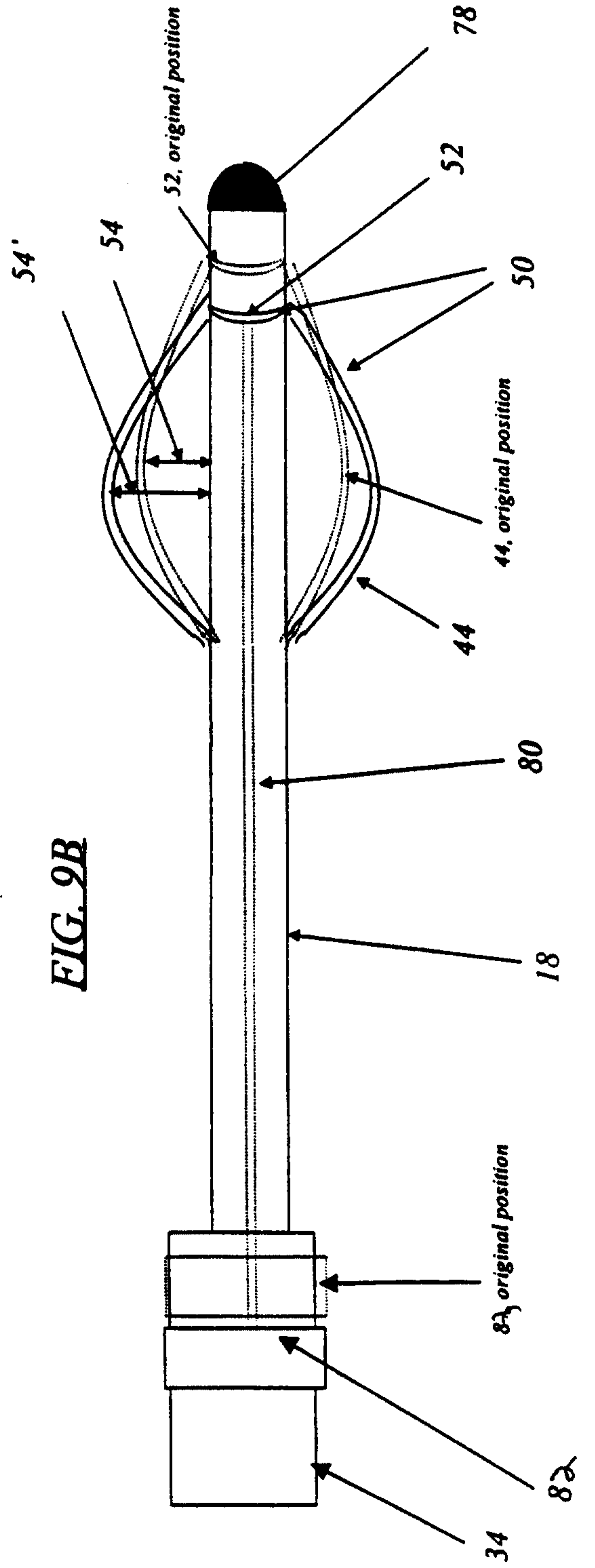


FIG. 10

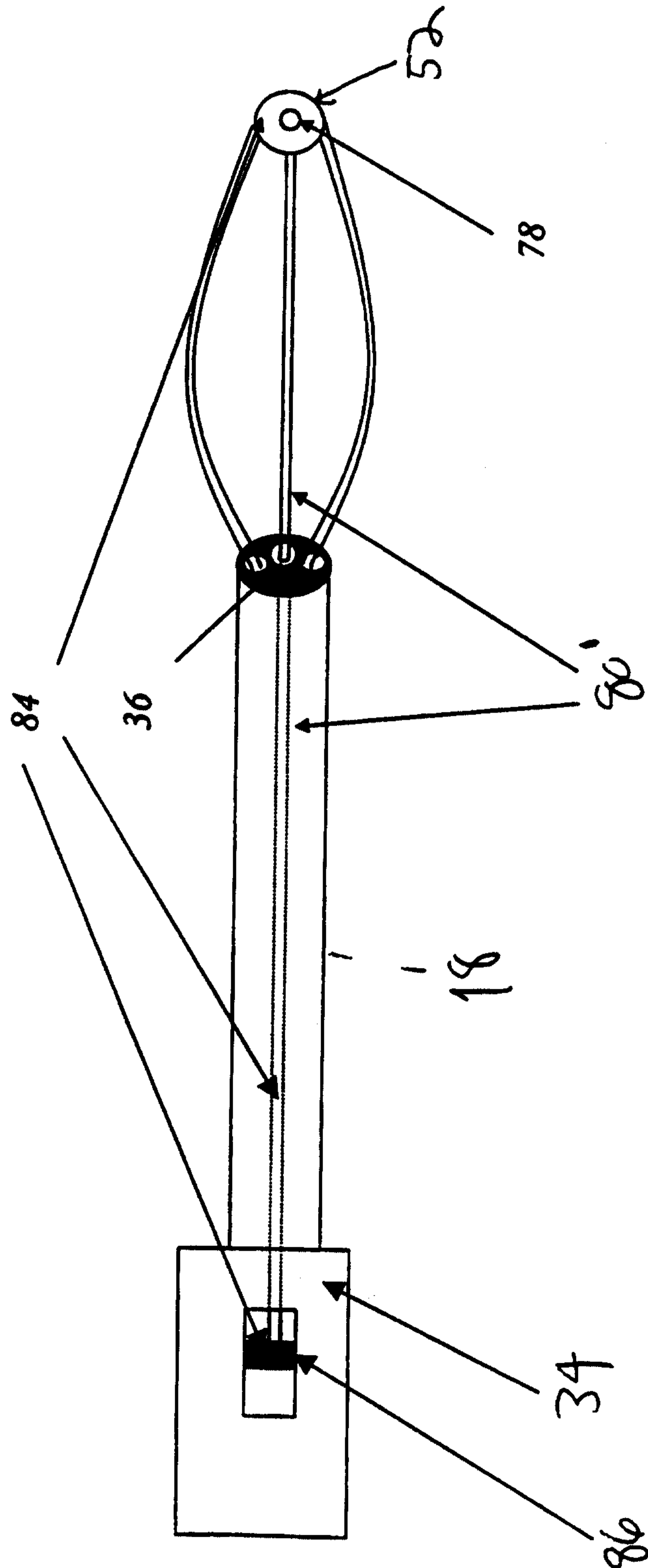


FIG. 11

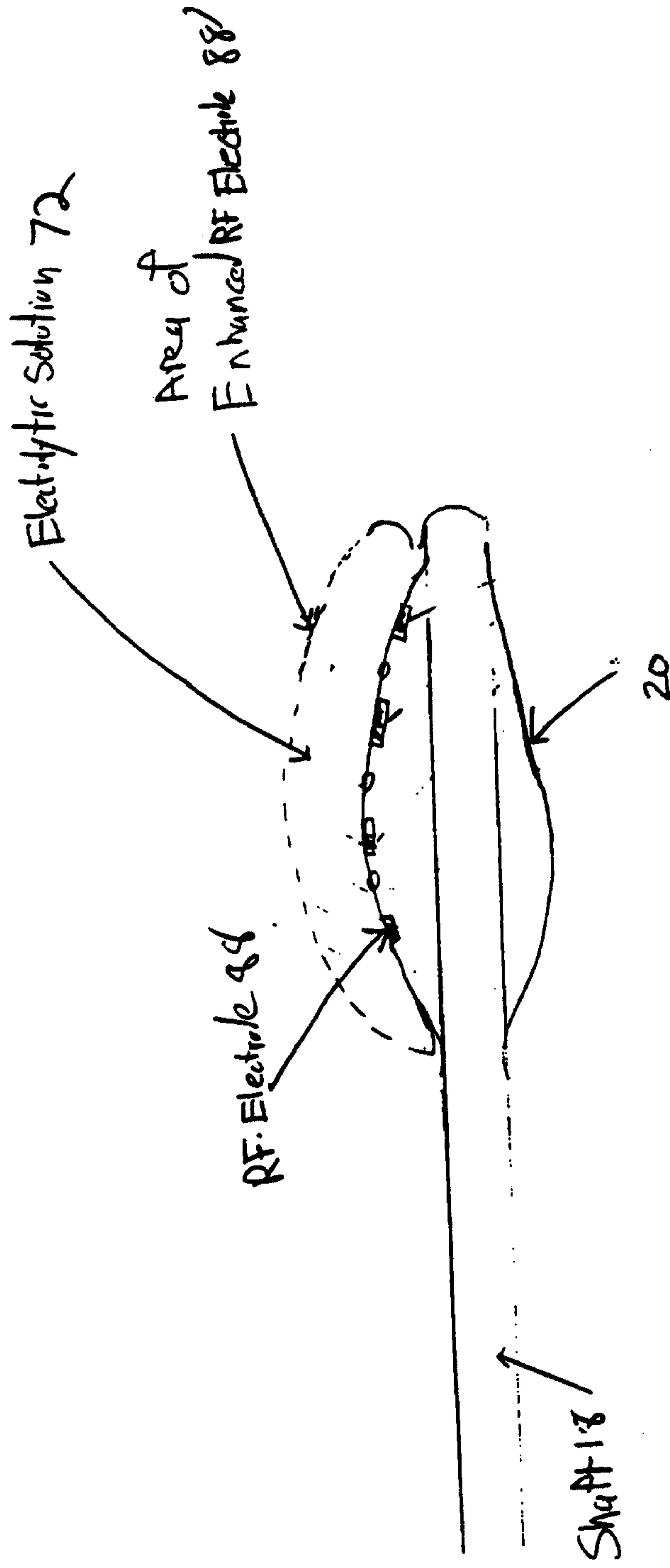


FIG 12

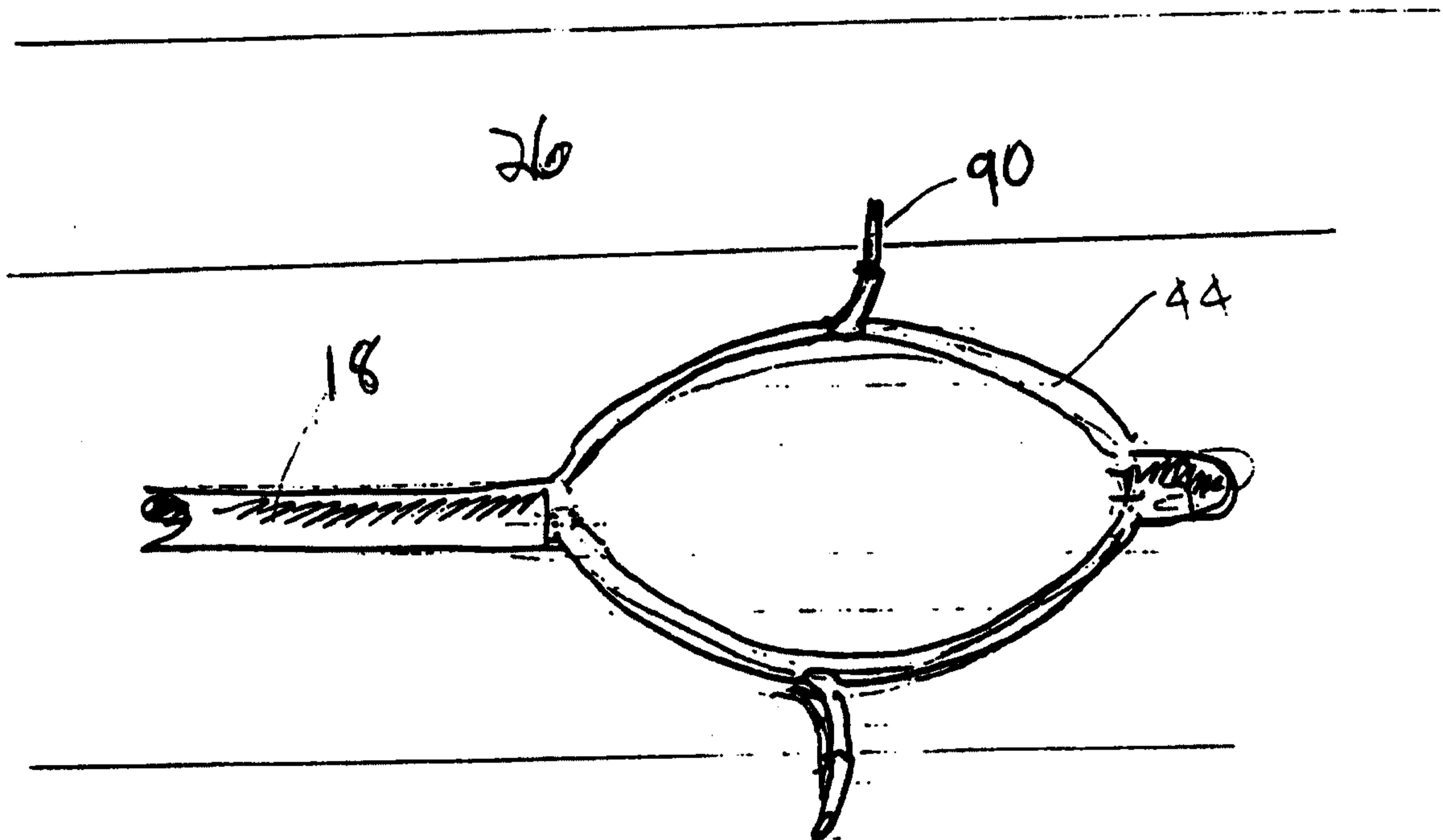


FIG. 13

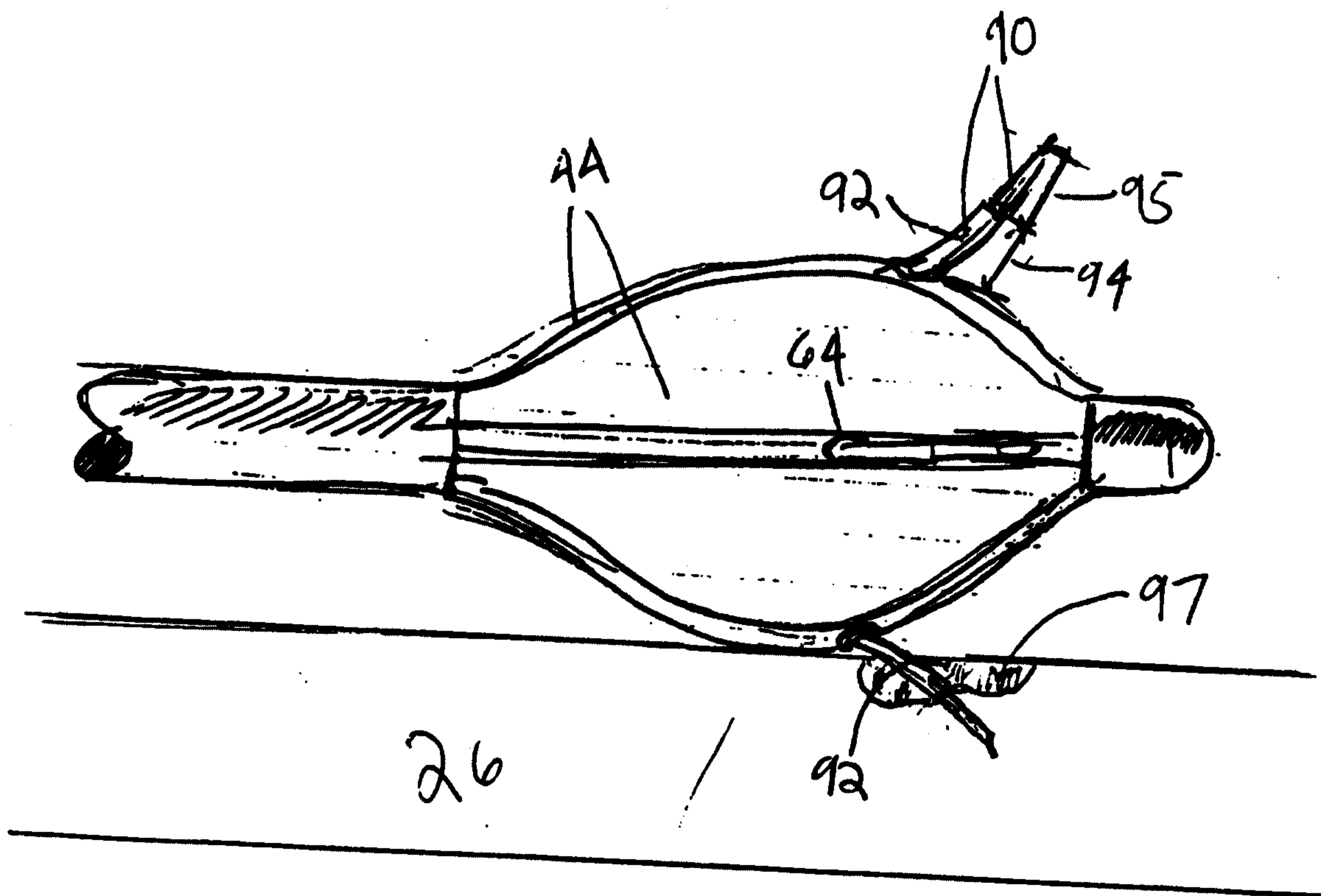
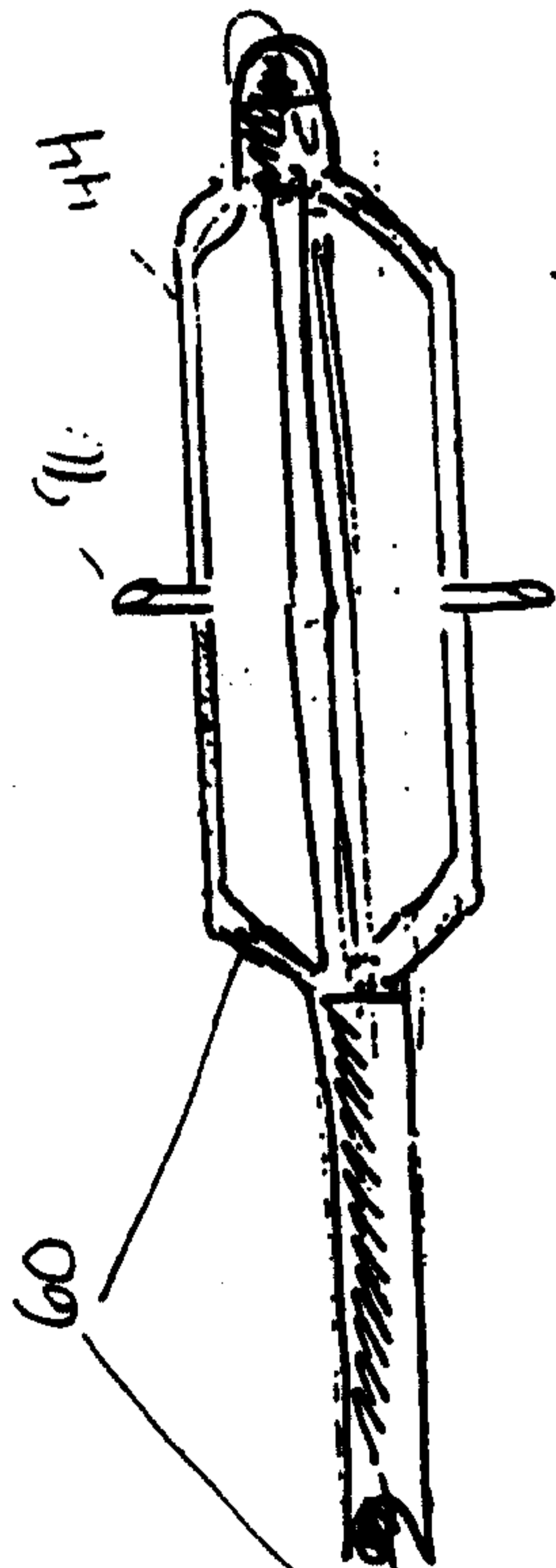
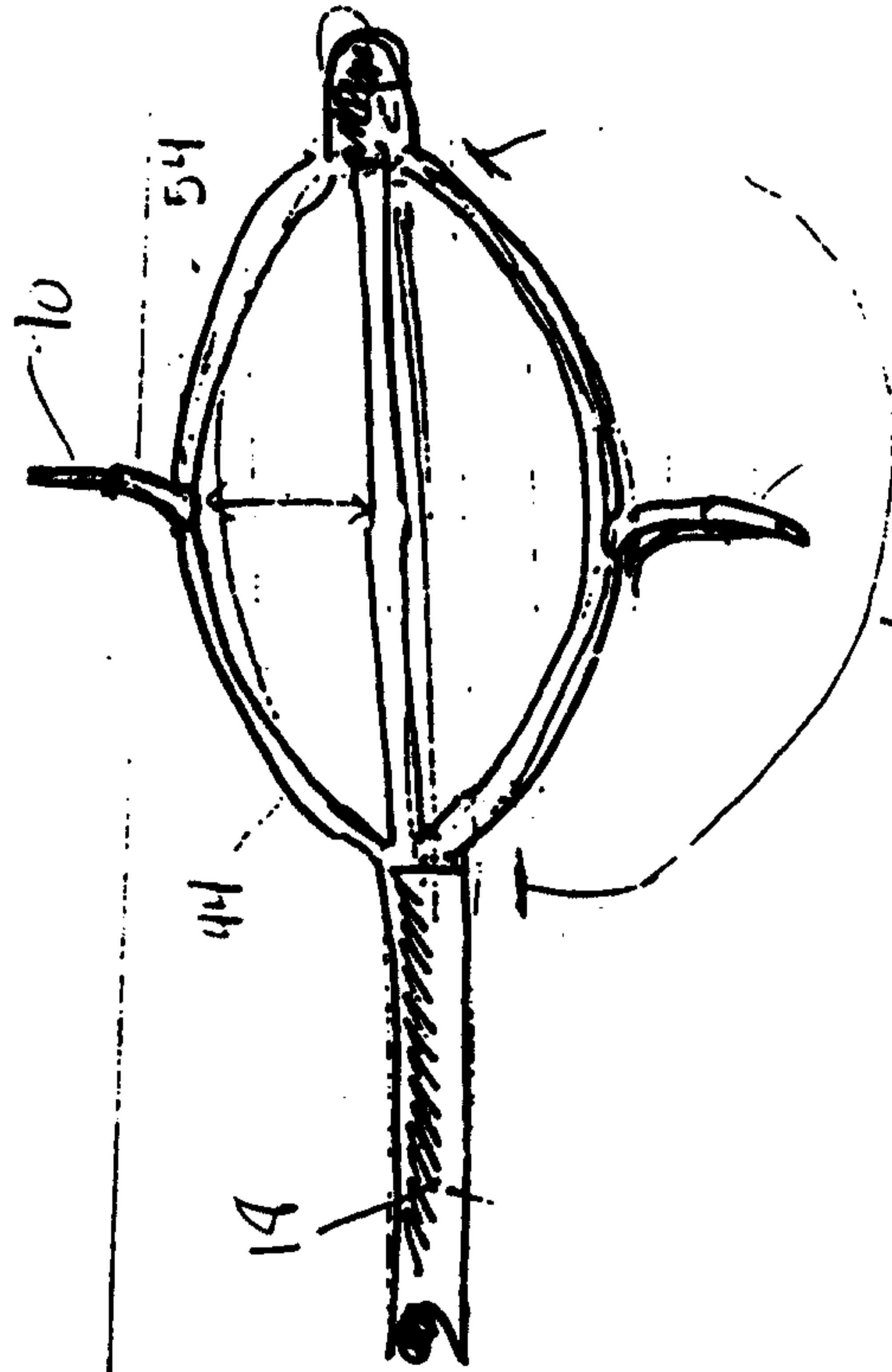


FIG. 14

24



Contracted Basket Assembly 50



Expanded Basket Assembly 50

FIG. 15

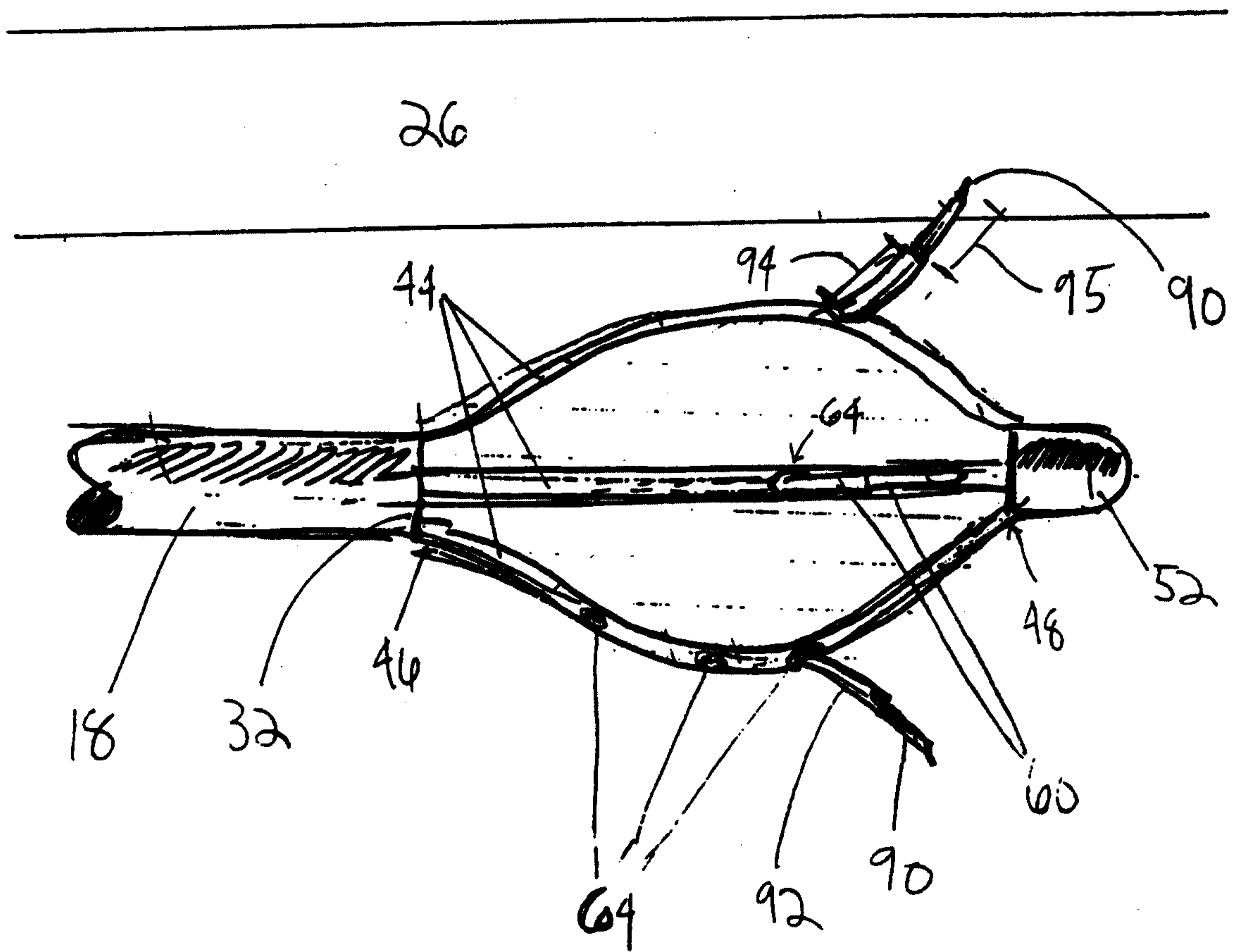


FIG 16

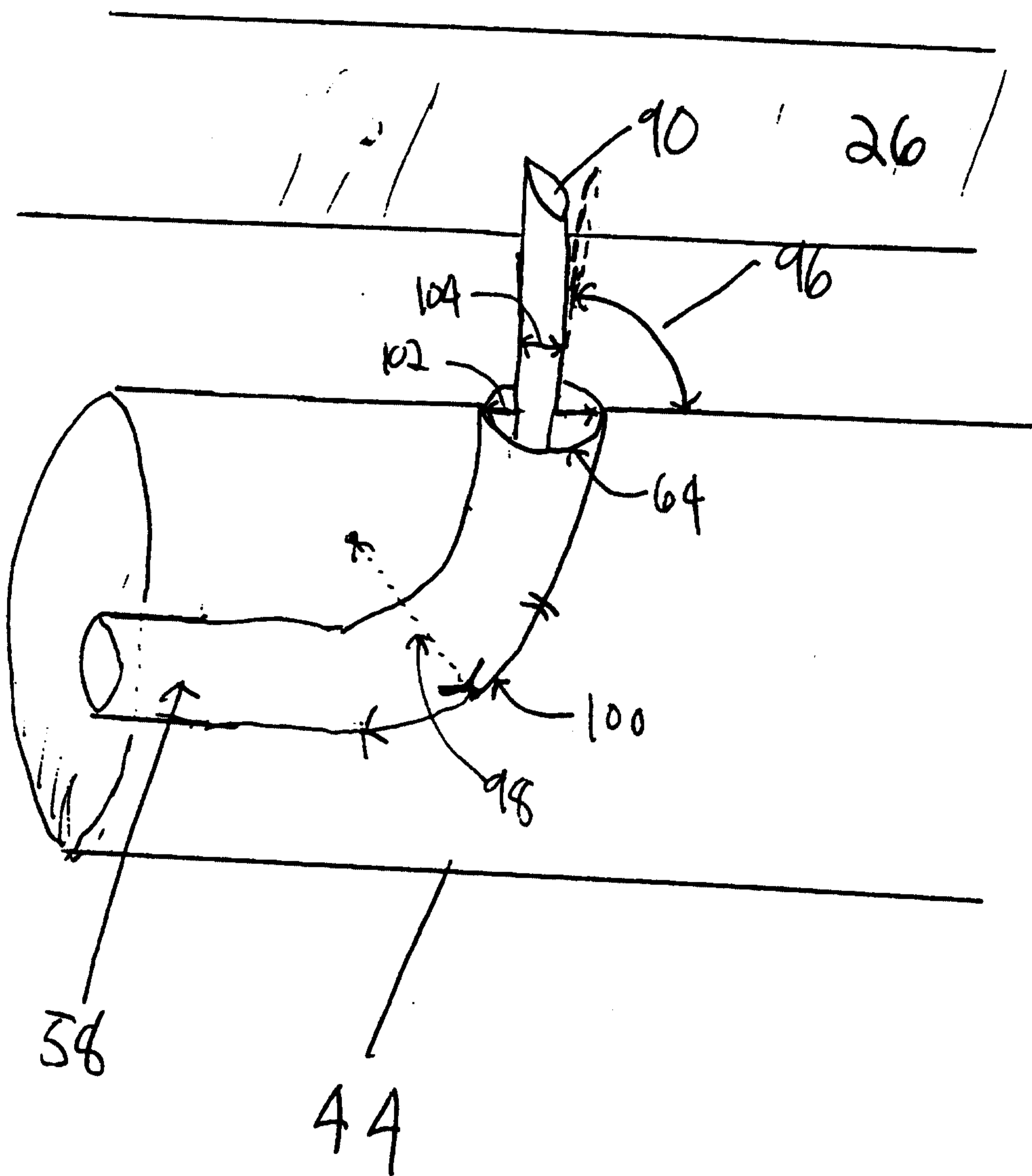


FIG. 17

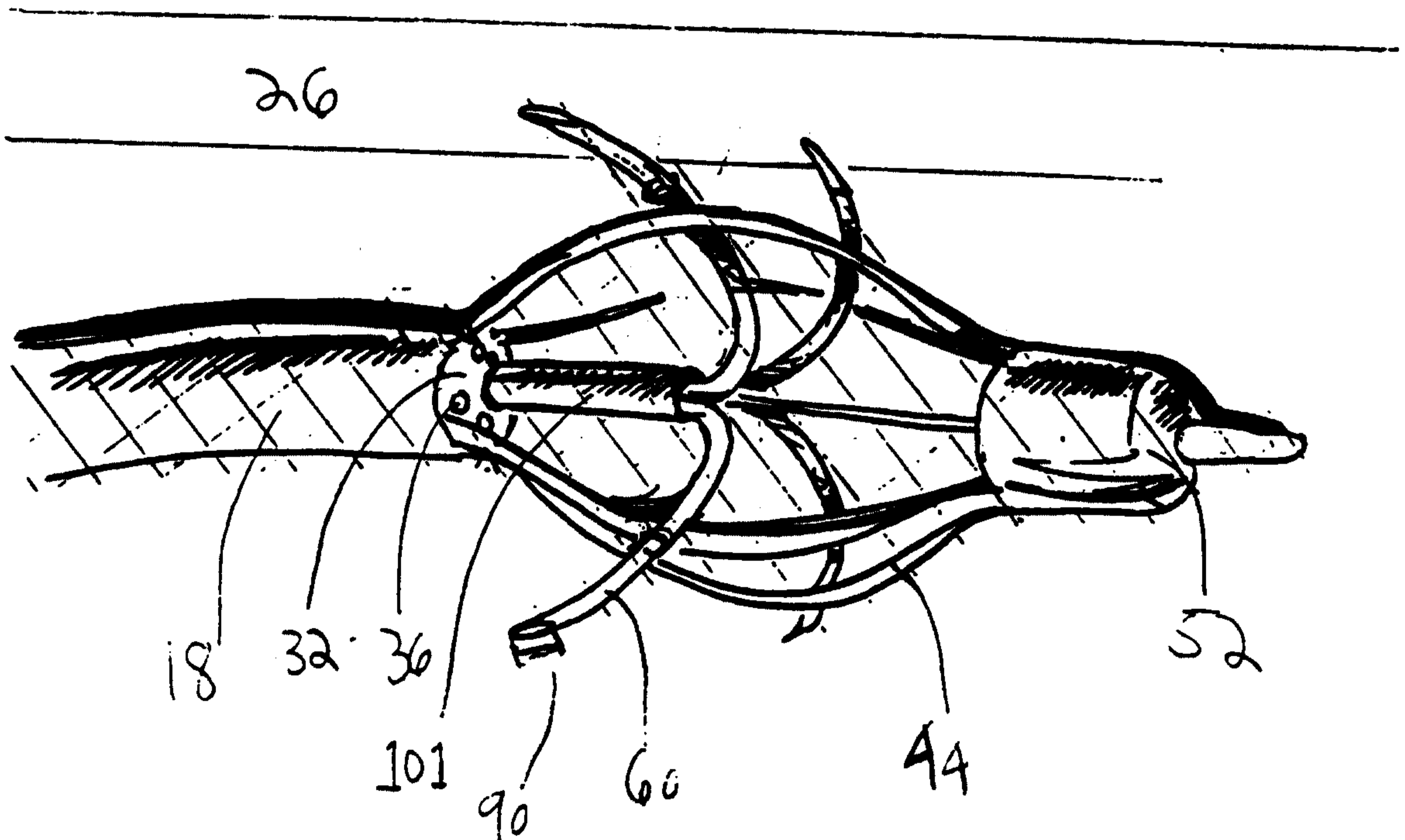


FIG. 18A Radial Electrode Pattern.

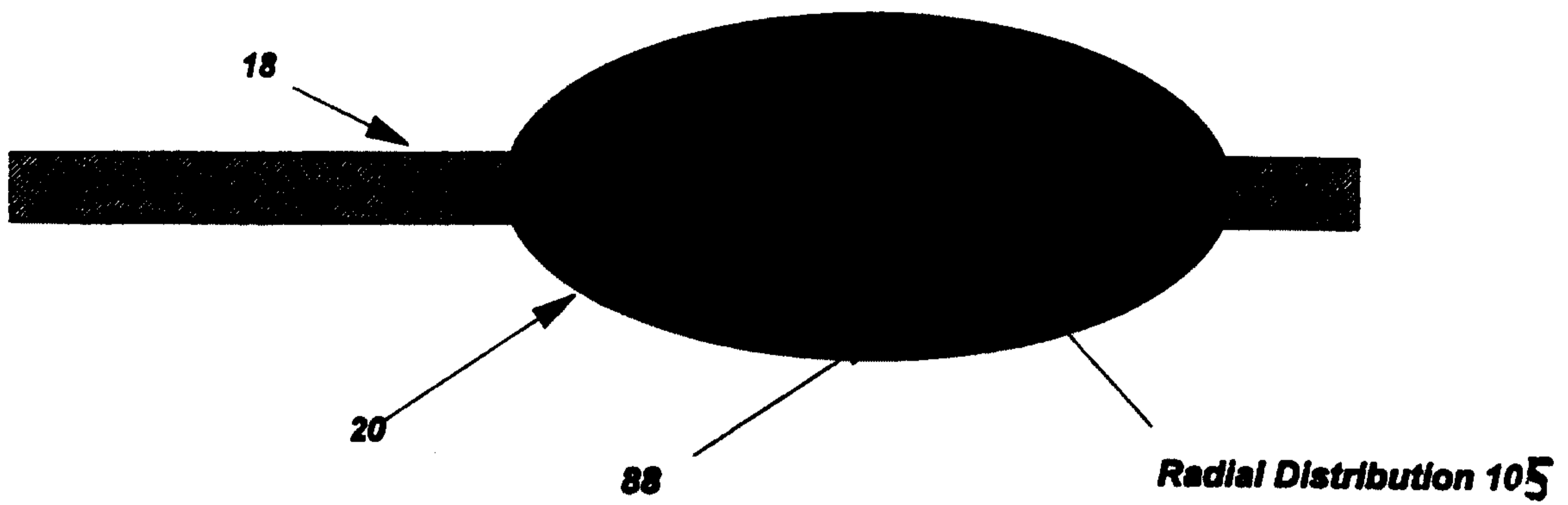


FIG. 18B Longitudinal Electrode Pattern.

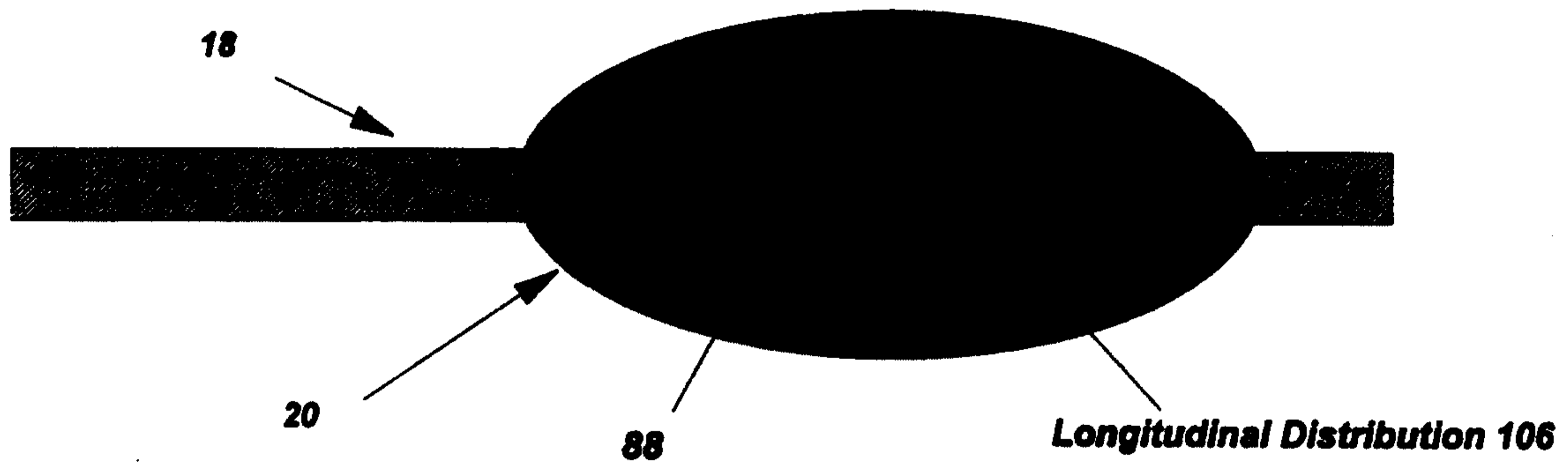


FIG. 18C Spiral Electrode Pattern.

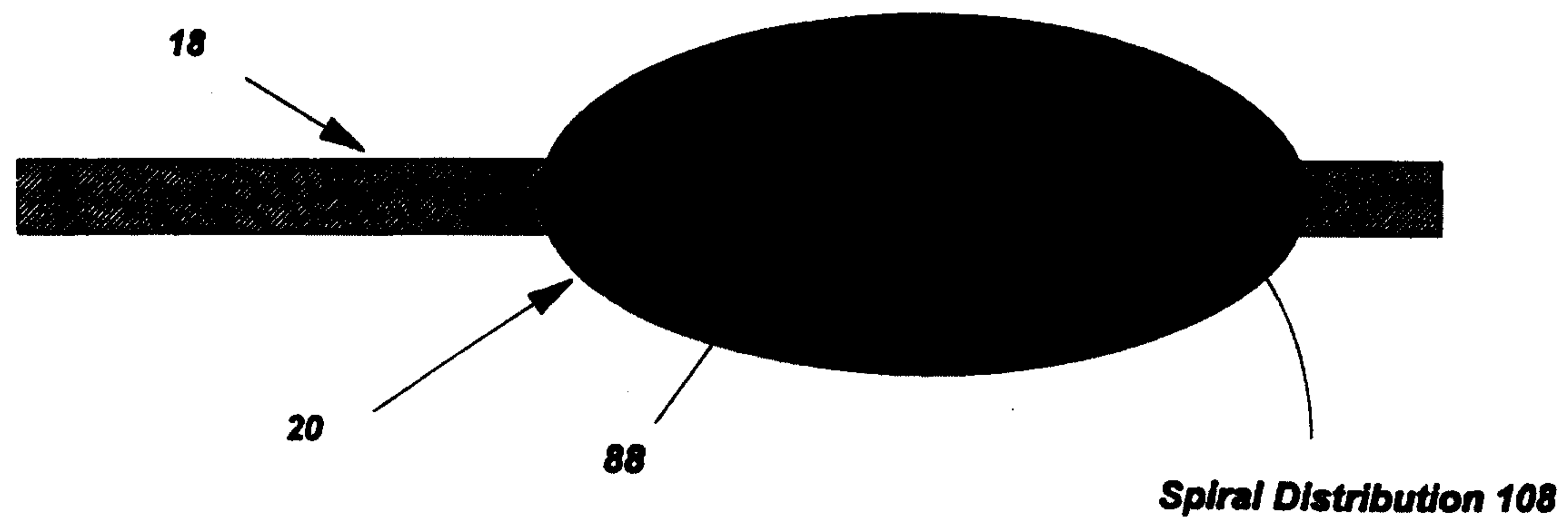


FIG. 19

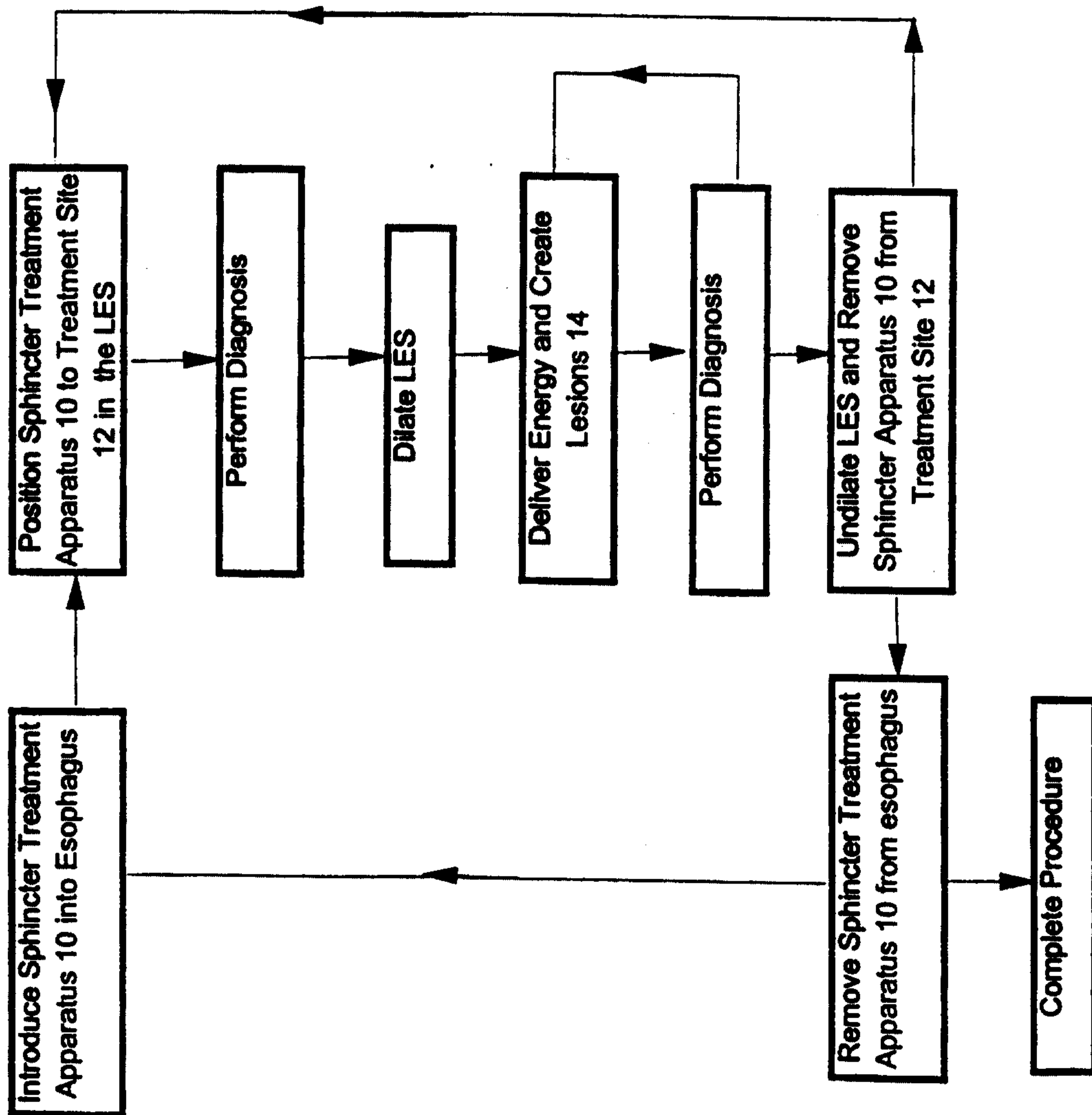


FIG. 20

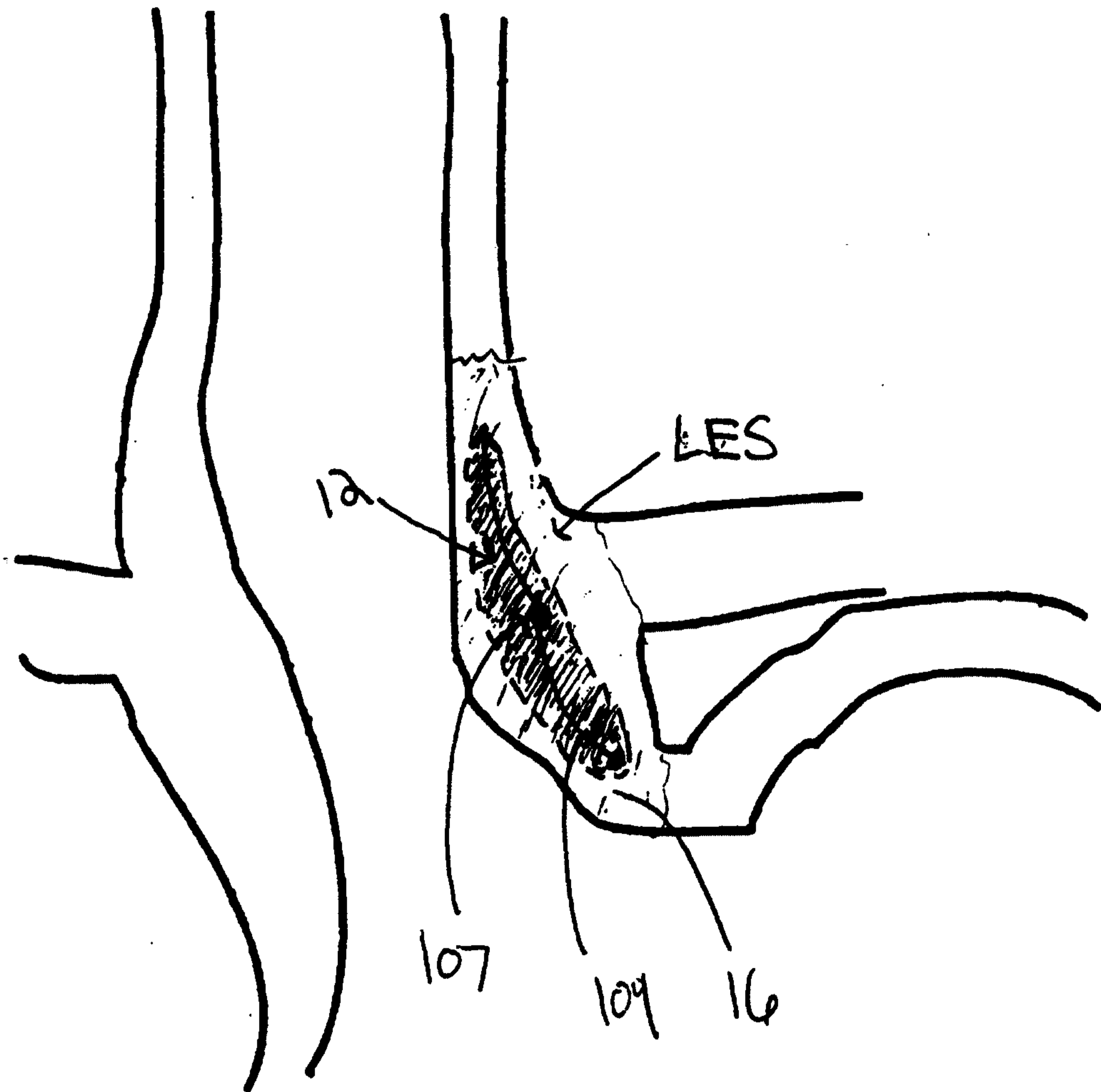


FIG 2

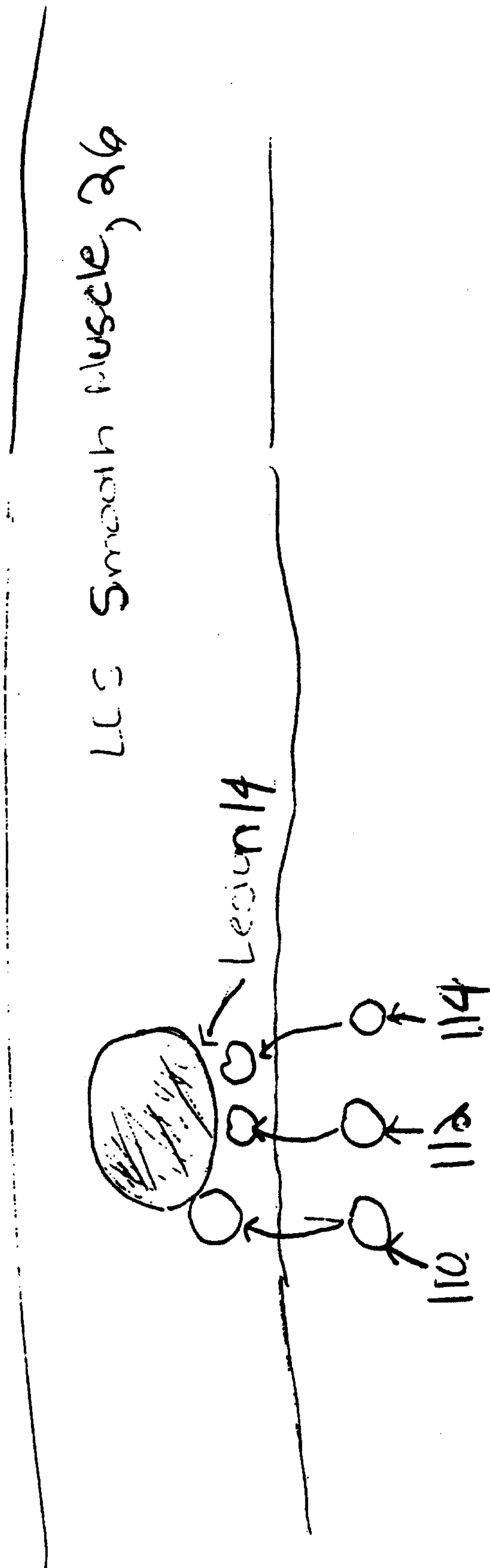


FIG. 22

Original Lesion 14

LES Smith Muscle, 26

Shrink Lesion 14/

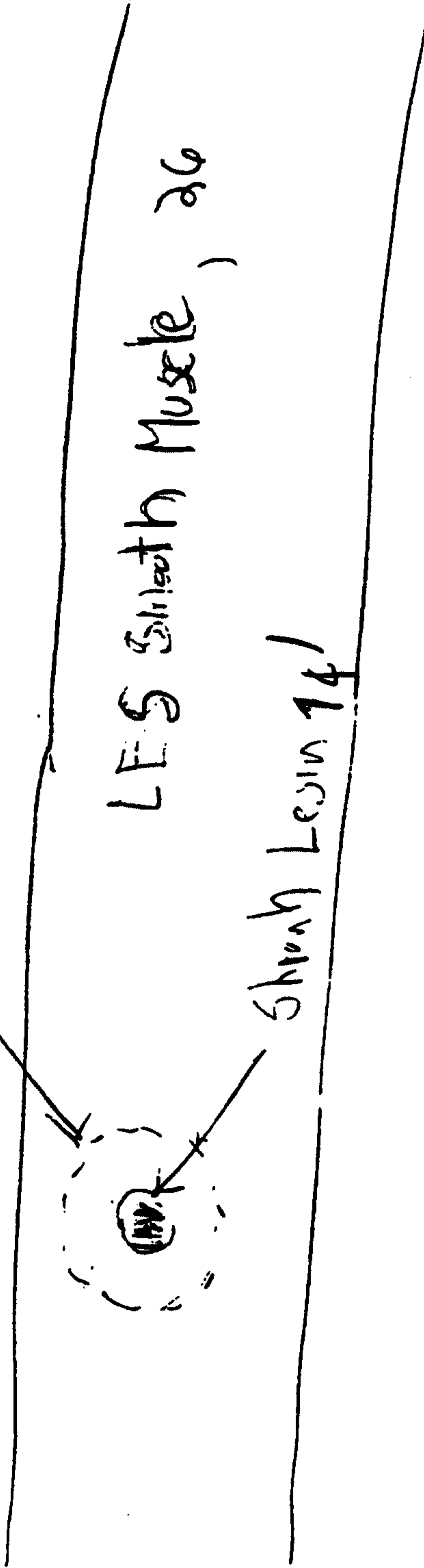
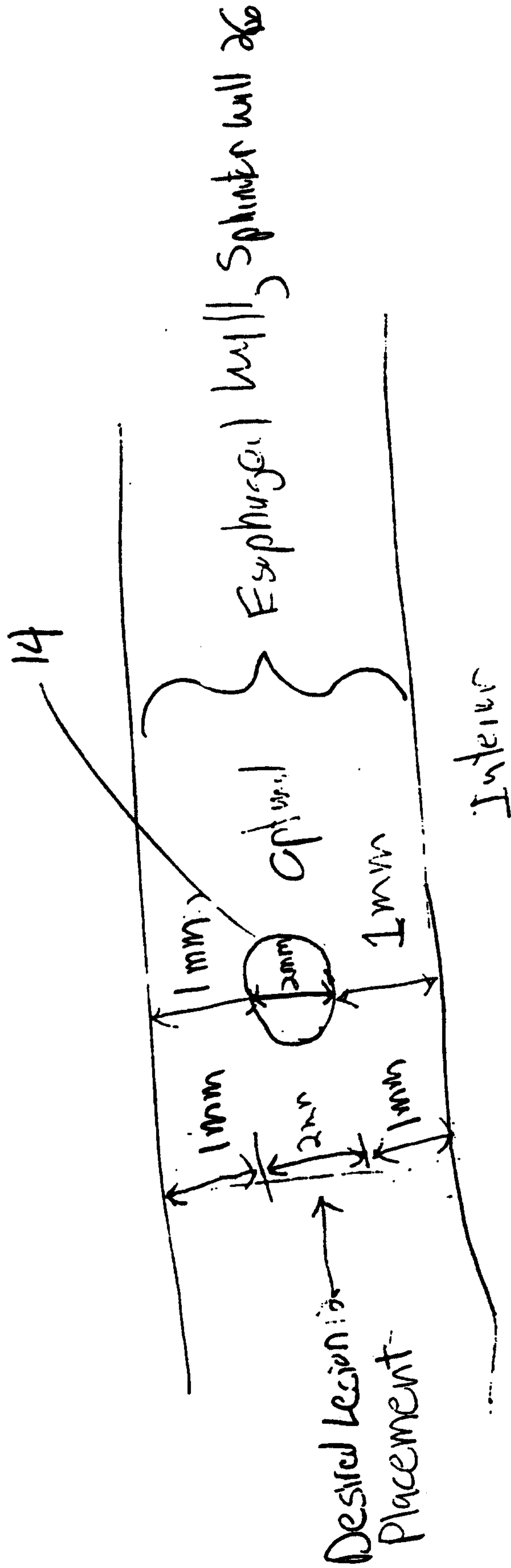


FIG. 23



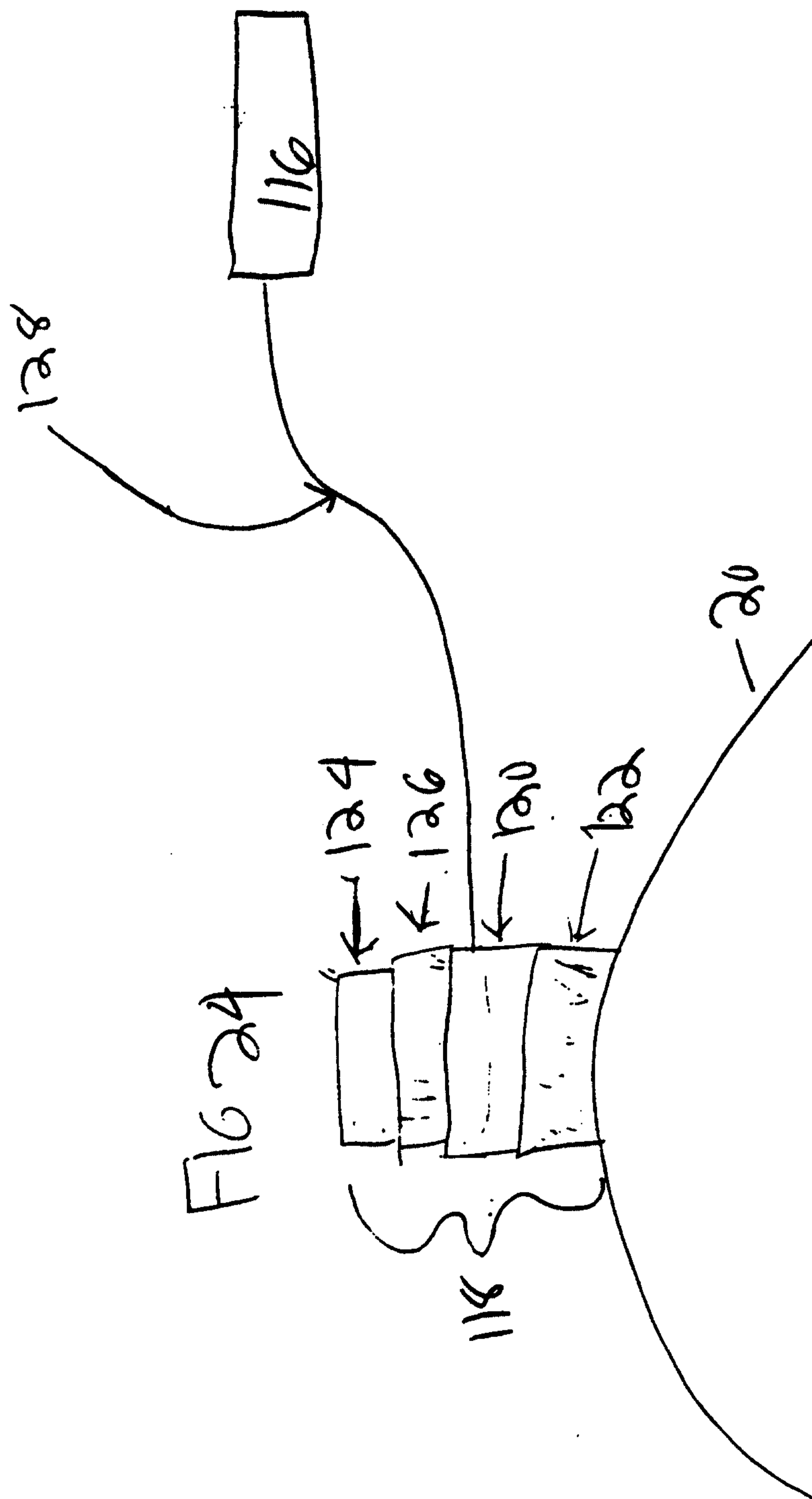


FIG 25B

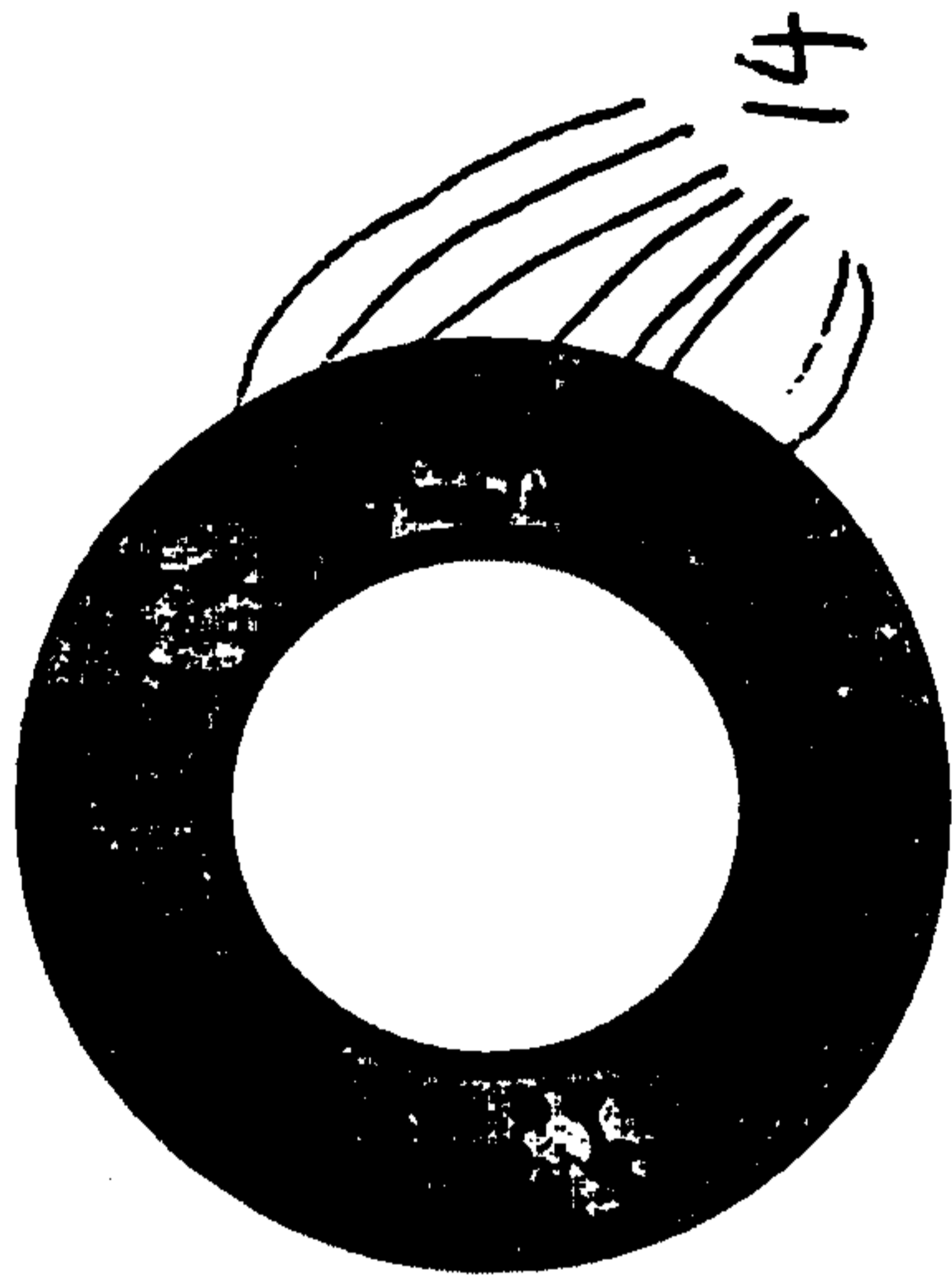


FIG 25D

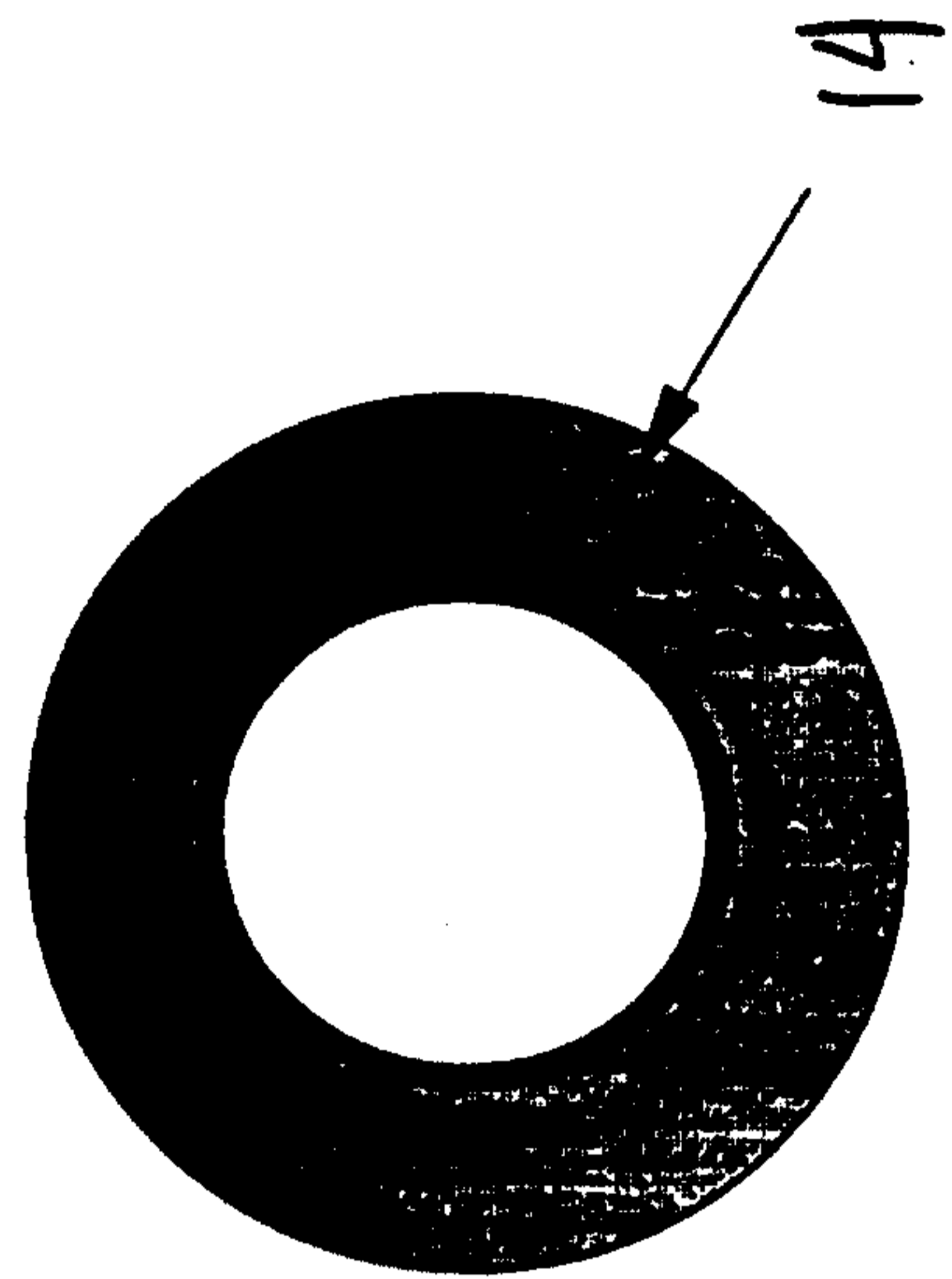


FIG 25A

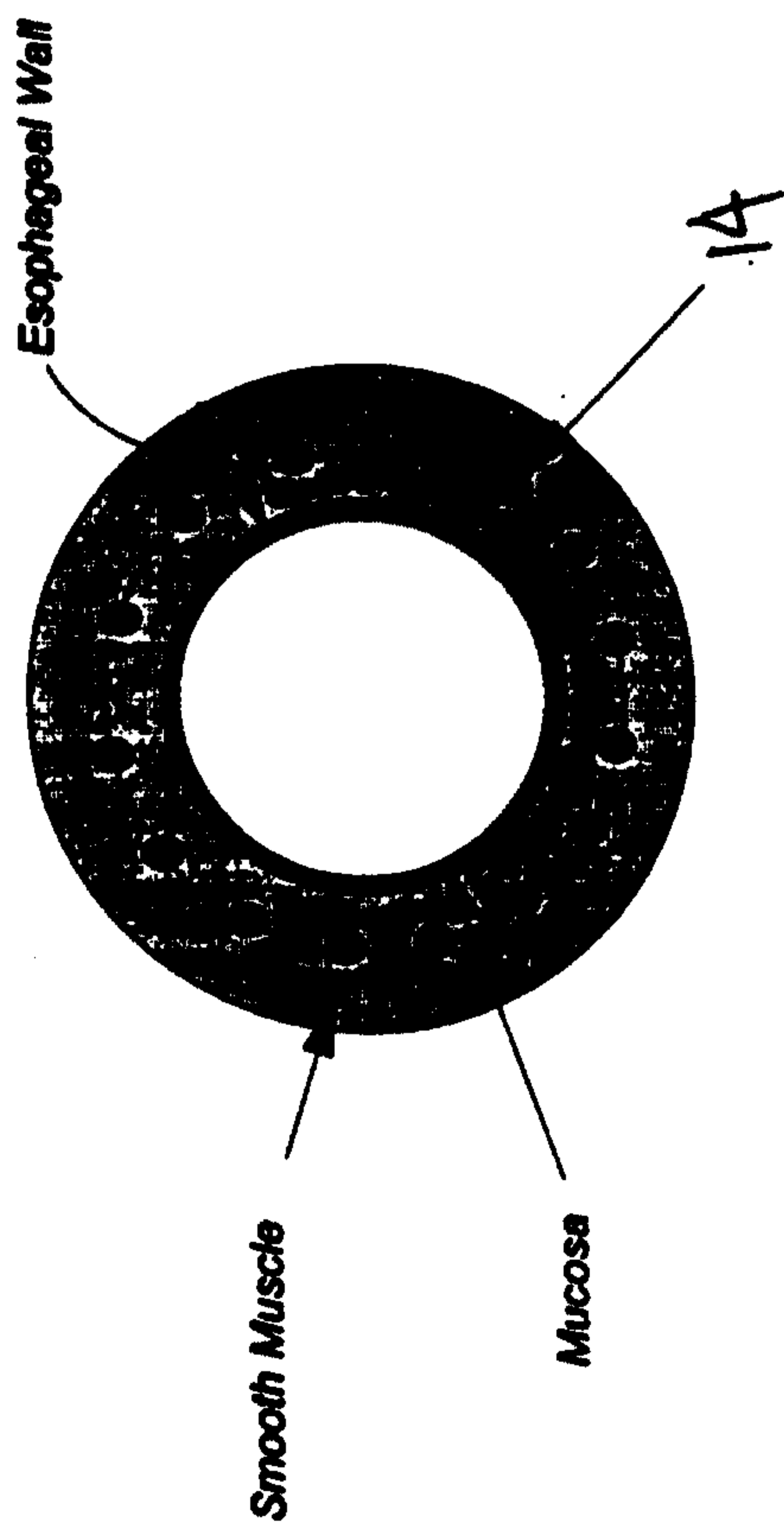
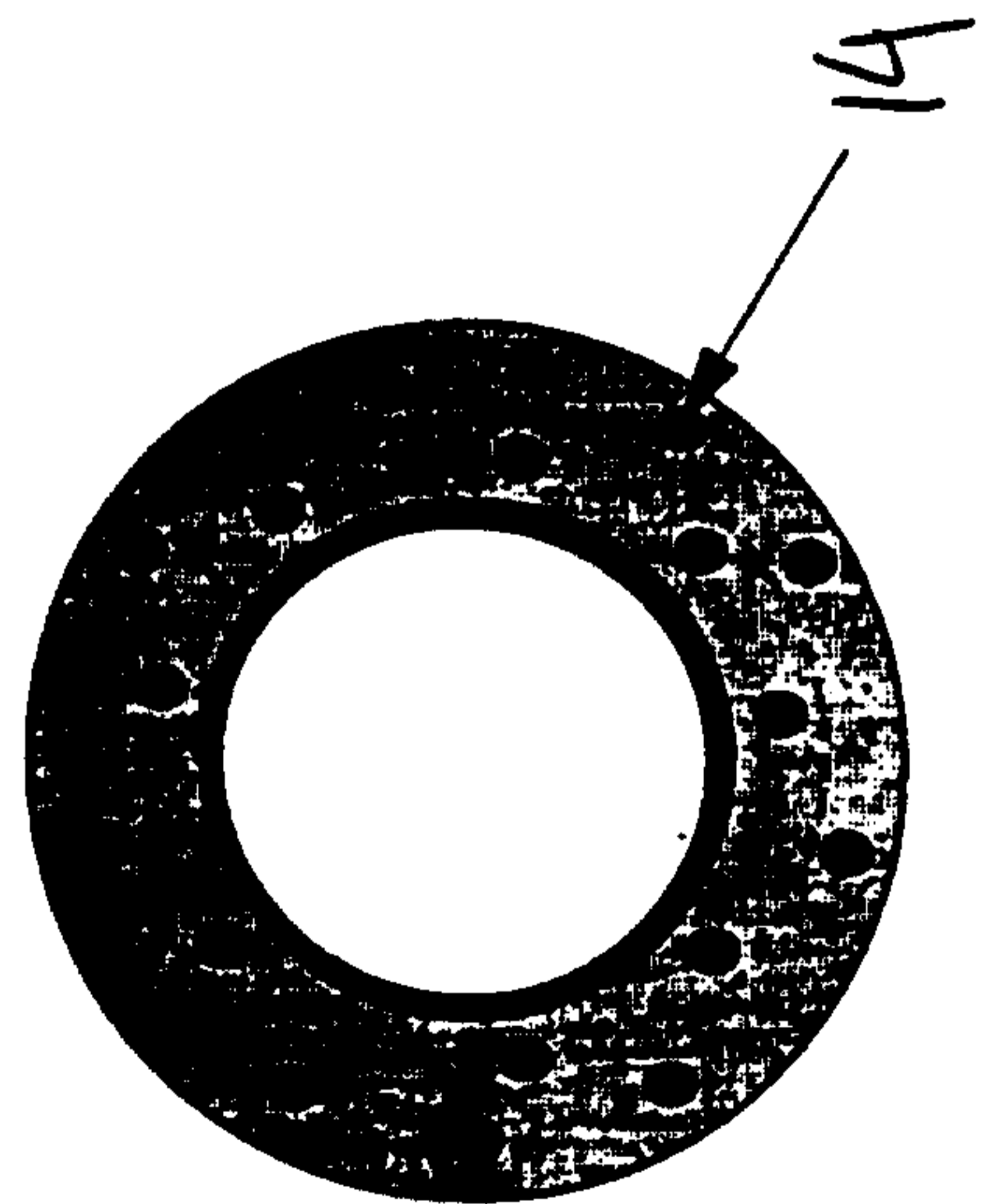


FIG 25C



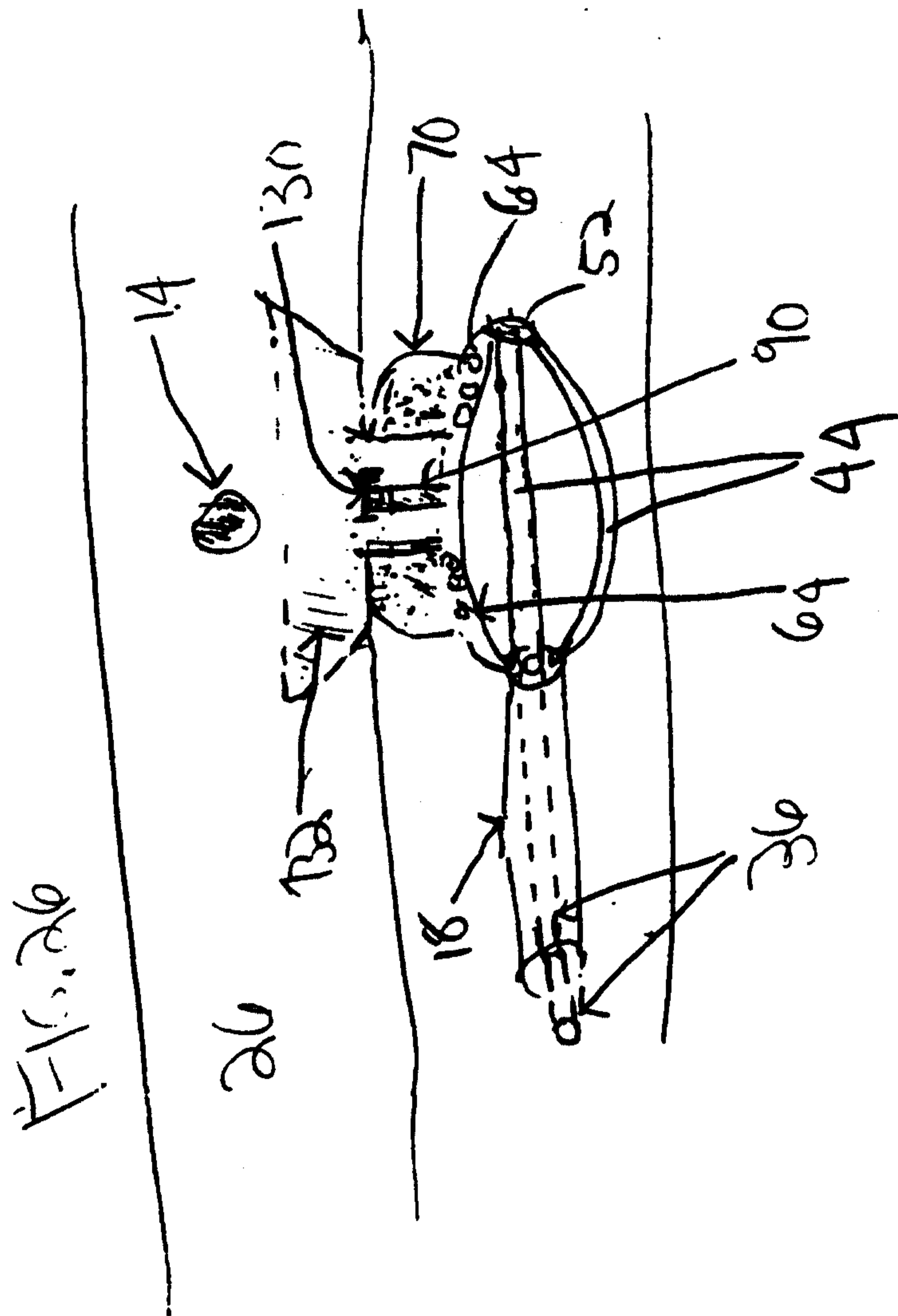


FIG 27

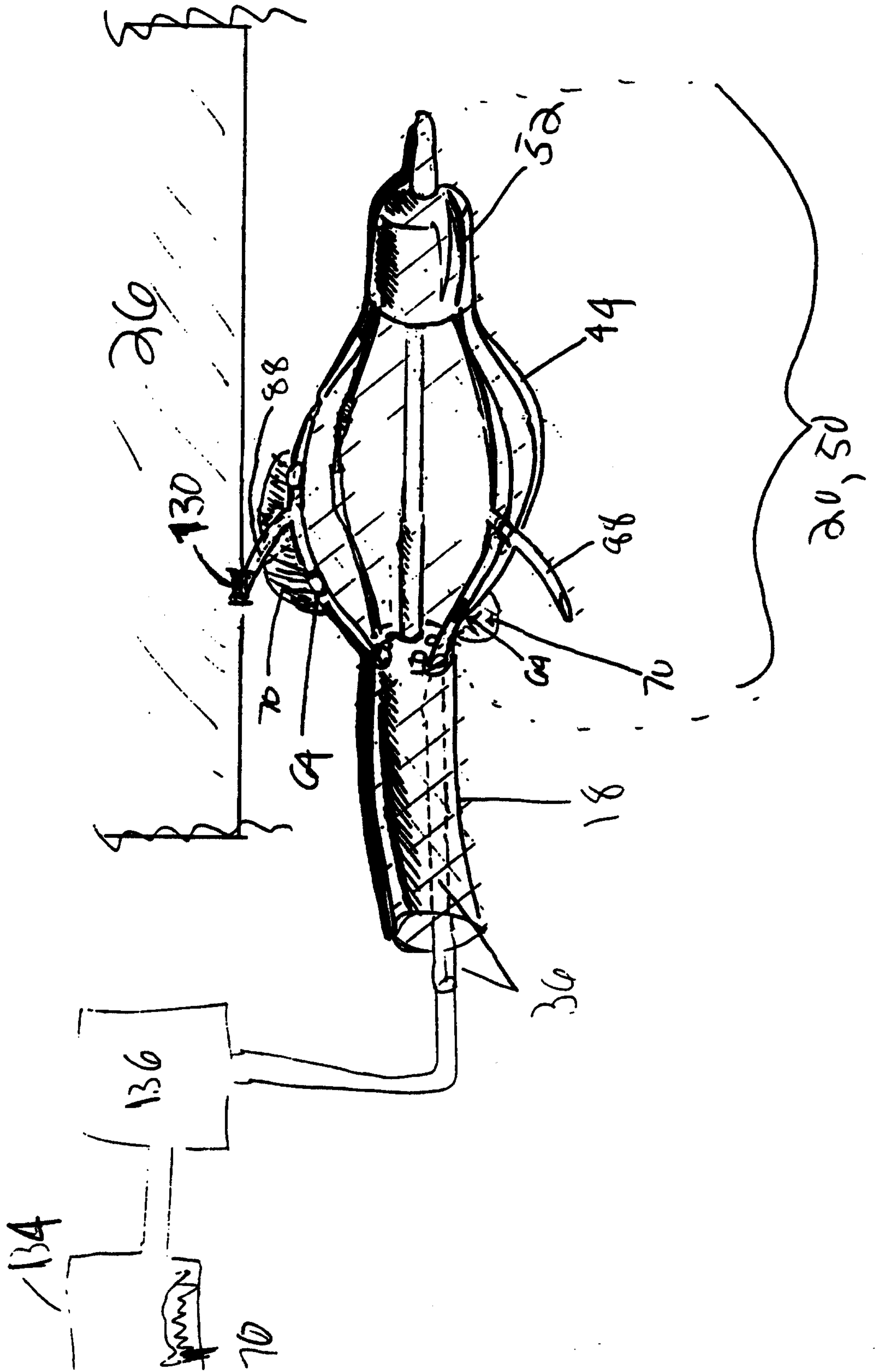


FIG. 28

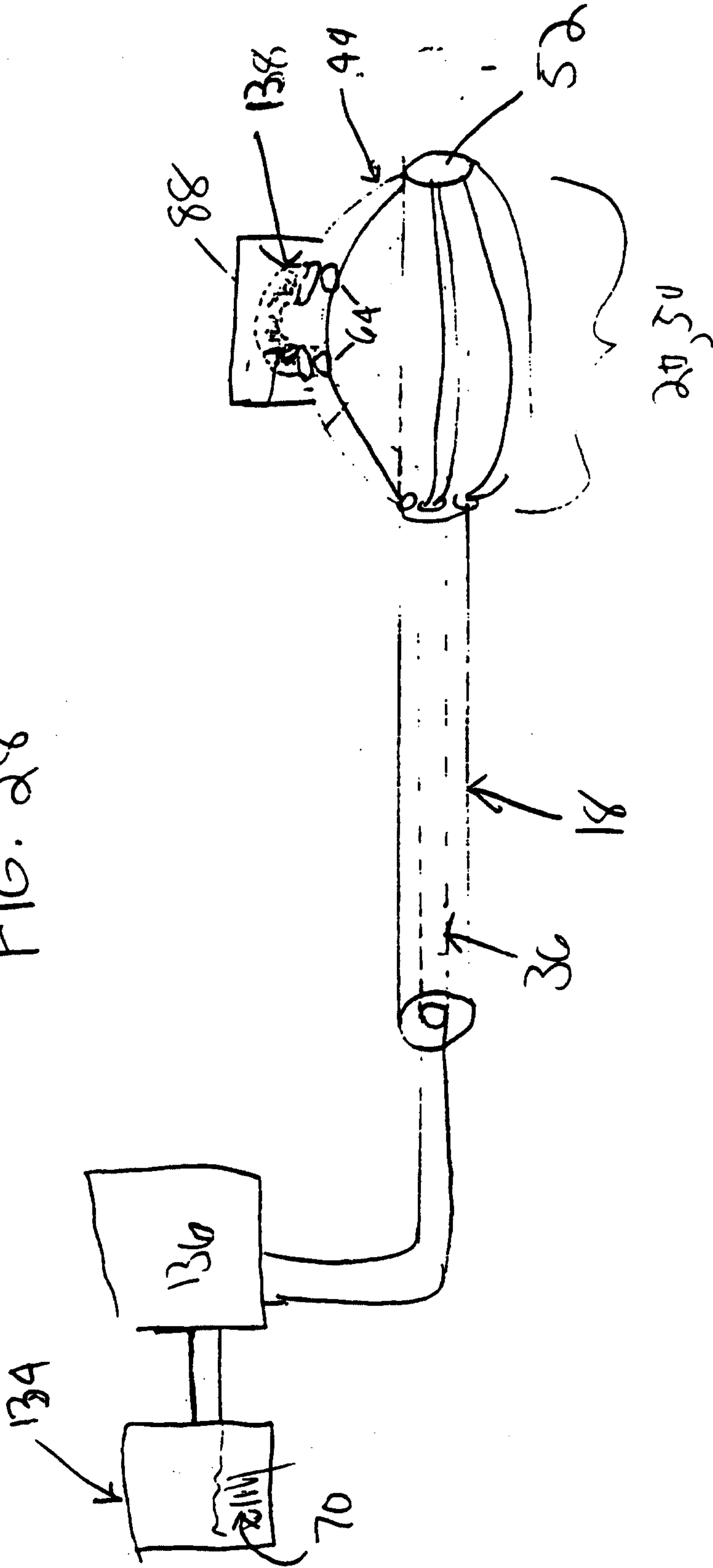
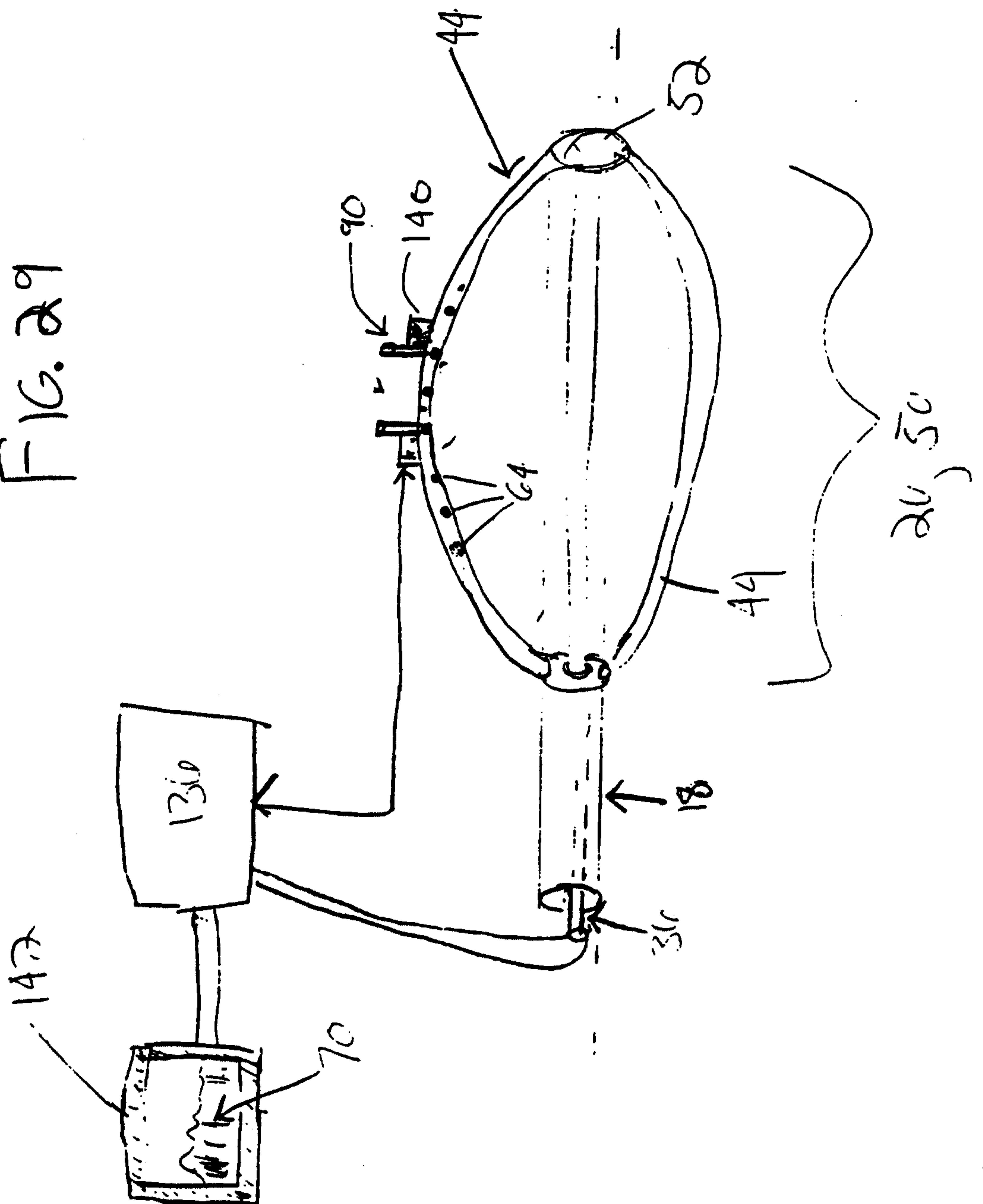


FIG. 29



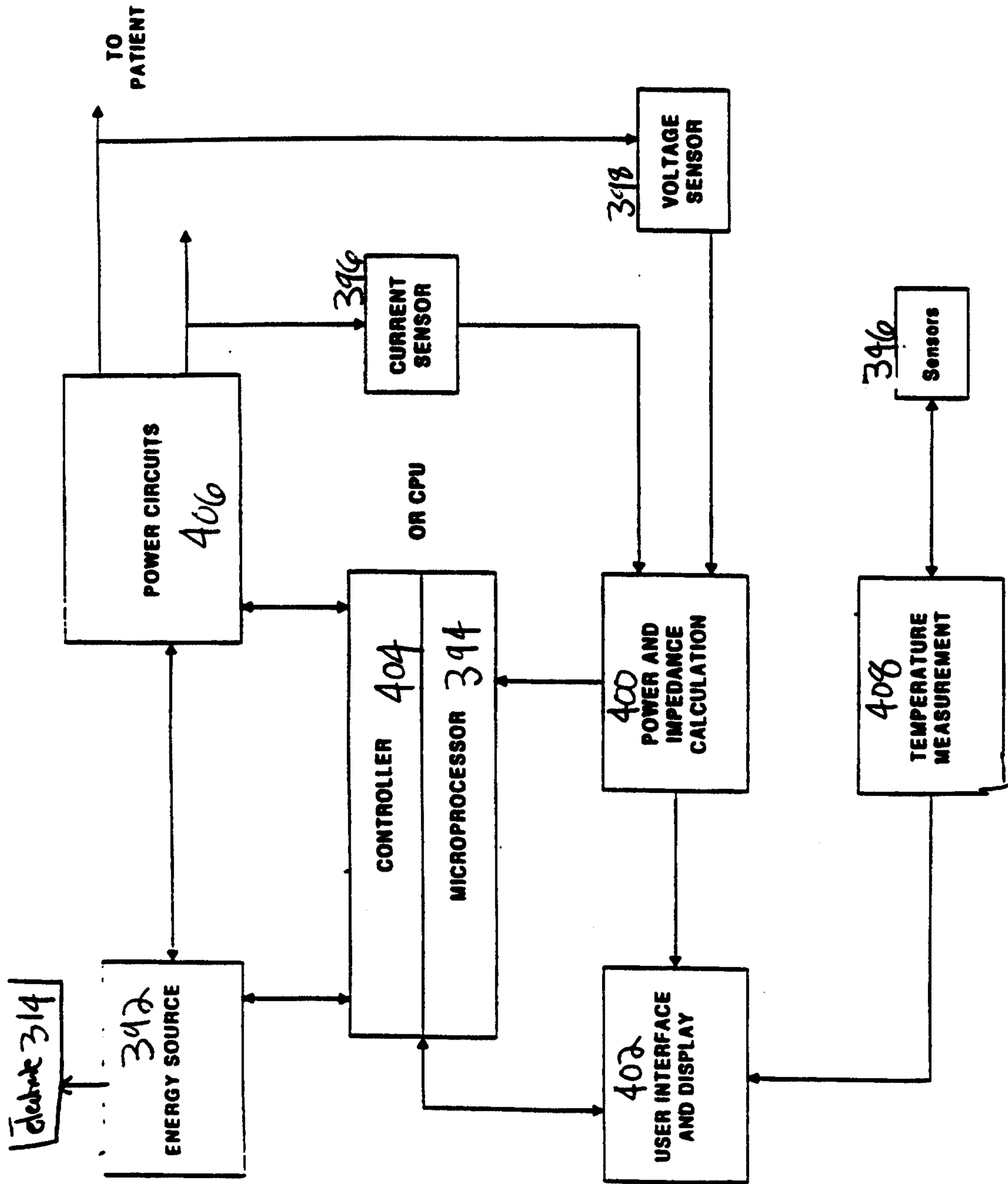


FIGURE 30

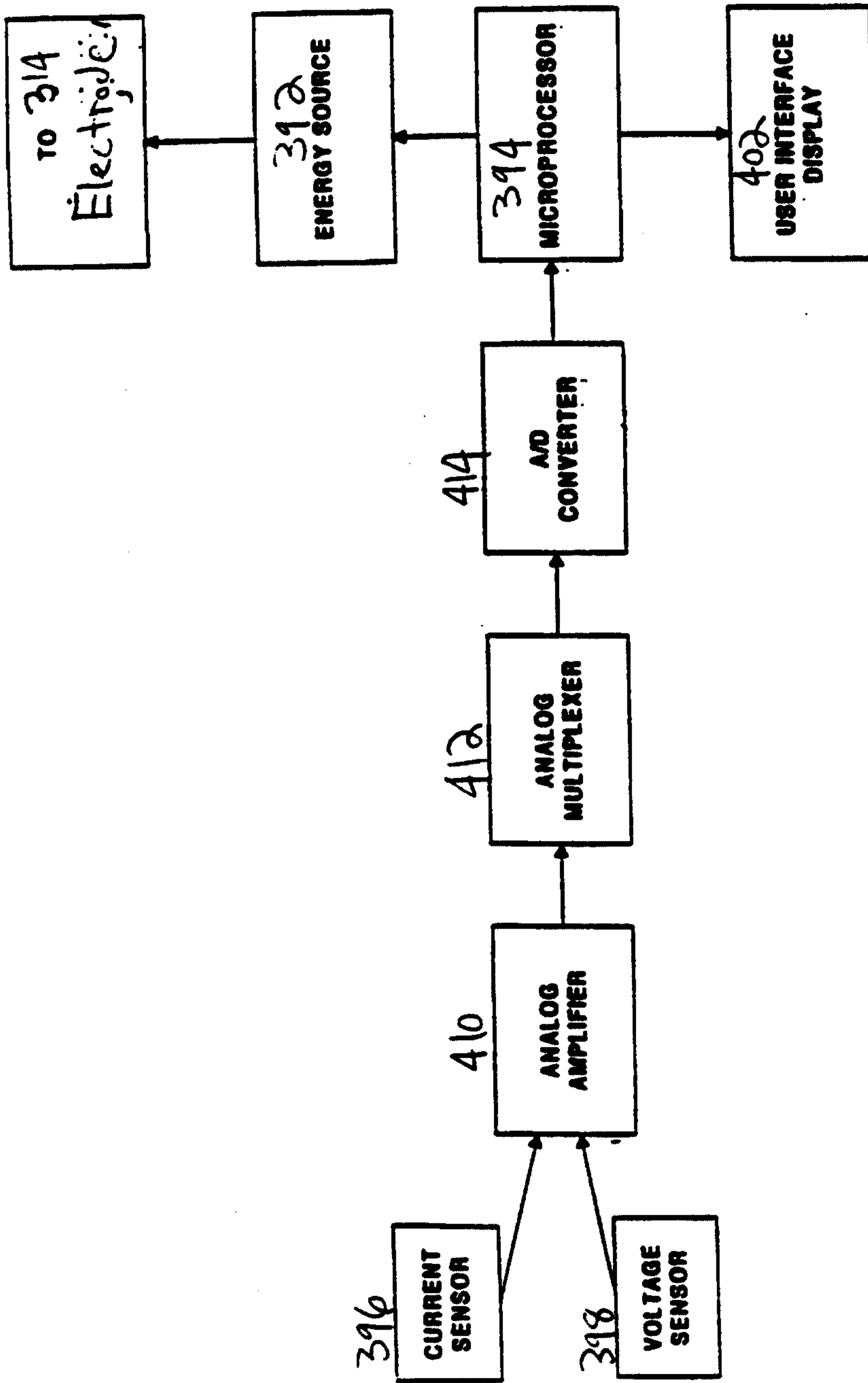


FIGURE 3 |

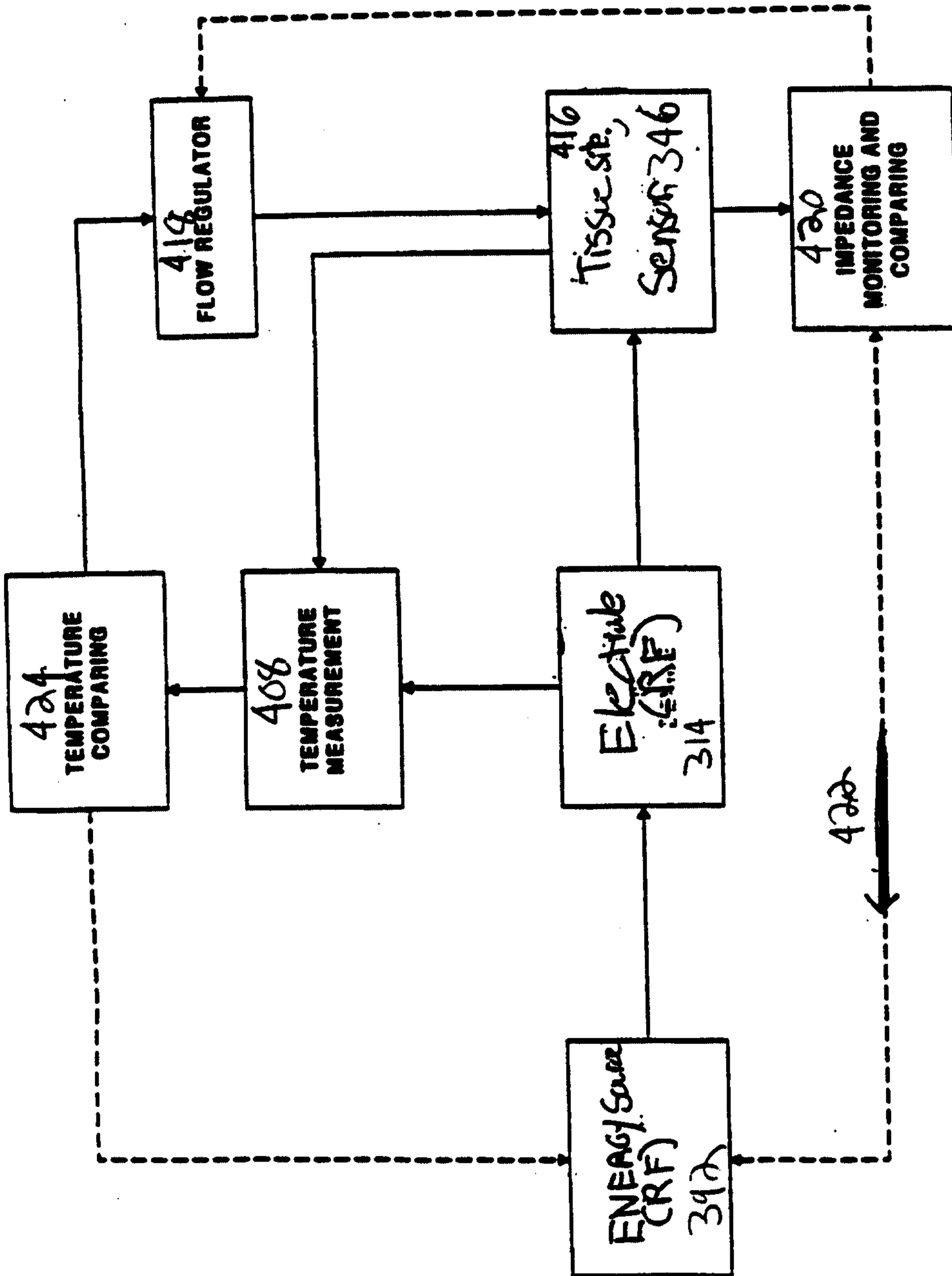


FIGURE 3a

