



US0D1049007S

(12) **United States Design Patent**
Zou

(10) **Patent No.:** **US D1,049,007 S**

(45) **Date of Patent:** **** Oct. 29, 2024**

- (54) **VEHICLE STORAGE BAG**
- (71) Applicant: **Shenzhen Yinglaifa Technology Co., Ltd.**, Shenzhen (CN)
- (72) Inventor: **Yuwang Zou**, Shenzhen (CN)
- (73) Assignee: **SHENZHEN YINGLAIFA TECHNOLOGY CO., LTD.**, Shenzhen (CN)
- (**) Term: **15 Years**
- (21) Appl. No.: **29/875,589**
- (22) Filed: **May 8, 2023**
- (51) **LOC (14) Cl.** **12-16**
- (52) **U.S. Cl.**
USPC **D12/423**
- (58) **Field of Classification Search**
USPC D12/400, 406, 414-420, 422-426;
D9/414, 501, 703; D21/559;
D3/226-227, 271.11
CPC . B60R 5/04; B60R 13/013; B65G 2201/0238;
B63B 25/00
See application file for complete search history.

- 2004/0065573 A1* 4/2004 Brouard A45C 13/02
206/373
- 2004/0136621 A1* 7/2004 Mogil A45C 7/0077
383/110
- 2005/0117817 A1* 6/2005 Mogil A45C 11/20
383/110
- 2017/0129410 A1* 5/2017 Ito B60R 7/02

OTHER PUBLICATIONS

Amazon.com, Car Trunk Bag Org, published Jul. 19, 2023 [retrieved Aug. 14, 2024]. Retrieved from the internet<<https://www.amazon.com/JONKOKO-Organizer-Compatible-Discovery-Multifunctional/dp/B0CC9NGFB>> (Year: 2023).*

(Continued)

Primary Examiner — Joseph Kukella
Assistant Examiner — Lavon M. Amerson

(57) **CLAIM**

The ornamental design for a vehicle storage bag as shown and described.

DESCRIPTION

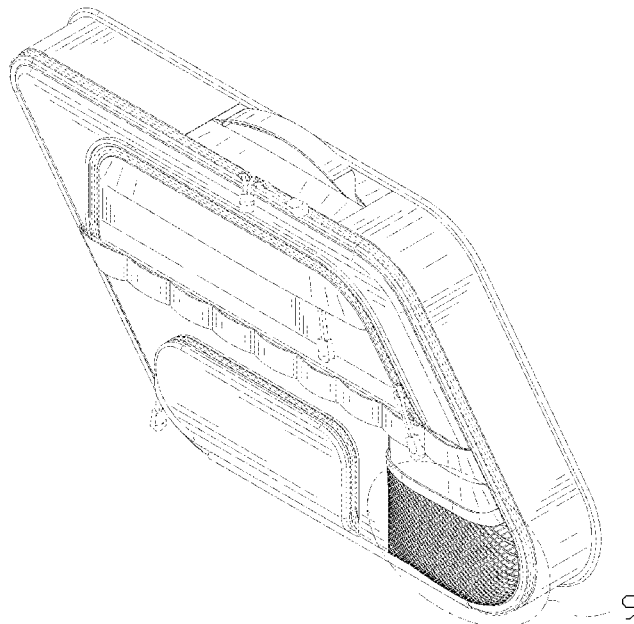
FIG. 1 is a perspective view of a vehicle storage bag showing my new design;
FIG. 2 is another perspective view thereof;
FIG. 3 is a front elevational view thereof;
FIG. 4 is a rear elevational view thereof;
FIG. 5 is a left side elevational view thereof;
FIG. 6 is a right side elevational view thereof;
FIG. 7 is a top plan view thereof;
FIG. 8 is a bottom plan view thereof; and,
FIG. 9 is an enlarged view of portion 9 shown in FIG. 1. The dash-dash broken lines in the drawings depict portions of the vehicle storage bag that form no part of the claimed design. The dot-dash broken lines represent boundaries of the enlarged portion and form no part of the claimed design.

1 Claim, 9 Drawing Sheets

(56) **References Cited**

U.S. PATENT DOCUMENTS

- D344,180 S * 2/1994 Garcia D12/416
- D393,623 S * 4/1998 Malski D12/423
- D451,882 S * 12/2001 Hassett D12/416
- 6,595,568 B1 * 7/2003 Schroeder B60R 13/013
296/39.1
- D487,050 S * 2/2004 Hassett D12/417
- D663,944 S * 7/2012 Bouskill D3/226
- D869,151 S * 12/2019 Jacobsen D3/226
- D975,437 S * 1/2023 Liu D3/226
- D1,012,727 S * 1/2024 Carpinelli D9/703



(56)

References Cited

OTHER PUBLICATIONS

Ebay.com, 2X Car Rear Cargo Trunk Window Storage Bags Org, published Aug. 8, 2024 [retrieved Aug. 14, 2024]. Retrieved from the internet<<https://www.ebay.com/itm/176274190484>> (Year: 2024).*

Ebay.com, Trunk Window Mount Cargo Storage Bag Org, published Jul. 2, 2024 [retrieved Aug. 14, 2024]. Retrieved from the internet<<https://www.ebay.com/itm/126422380757>> (Year: 2024).*

* cited by examiner

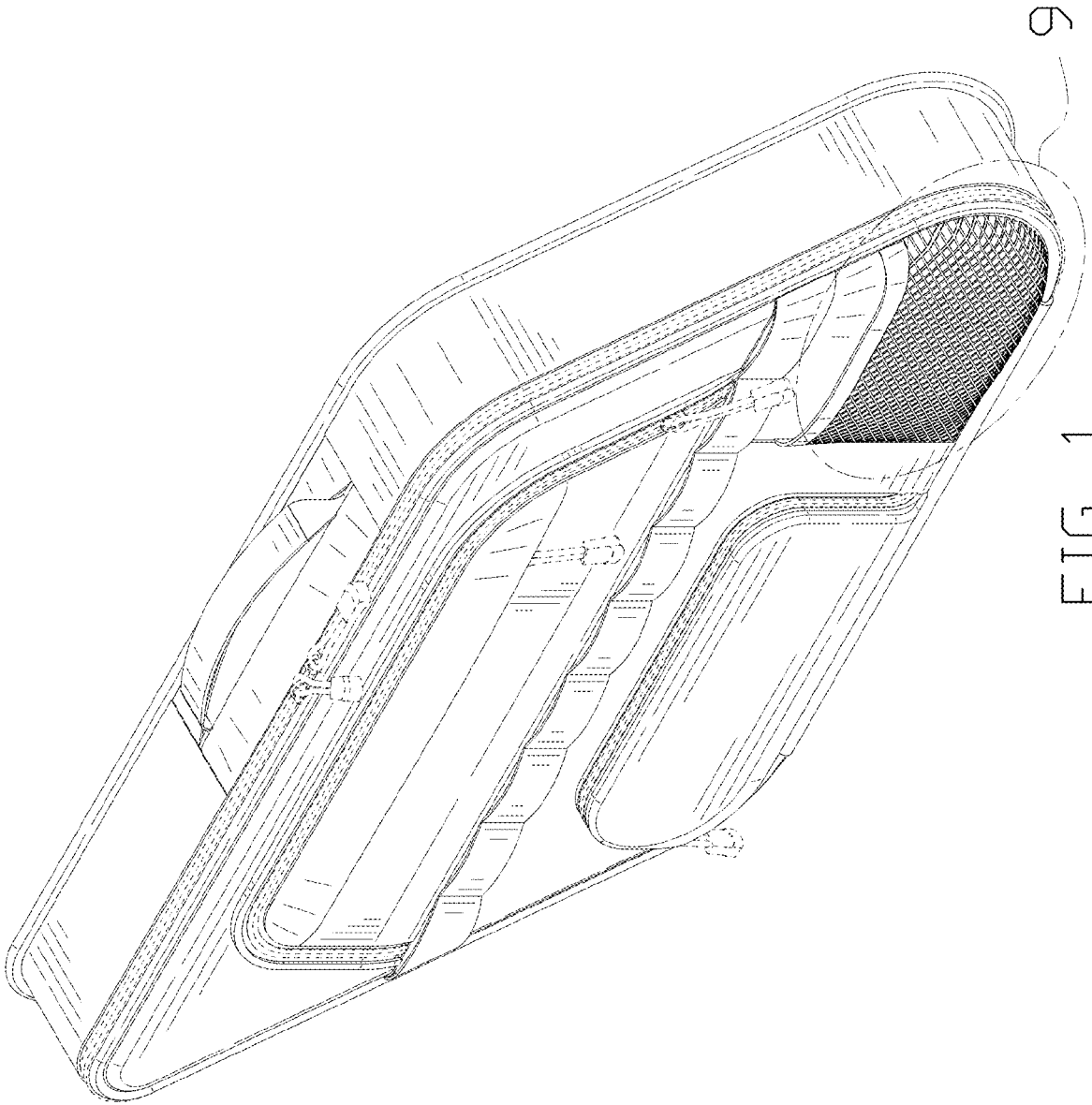


FIG. 1

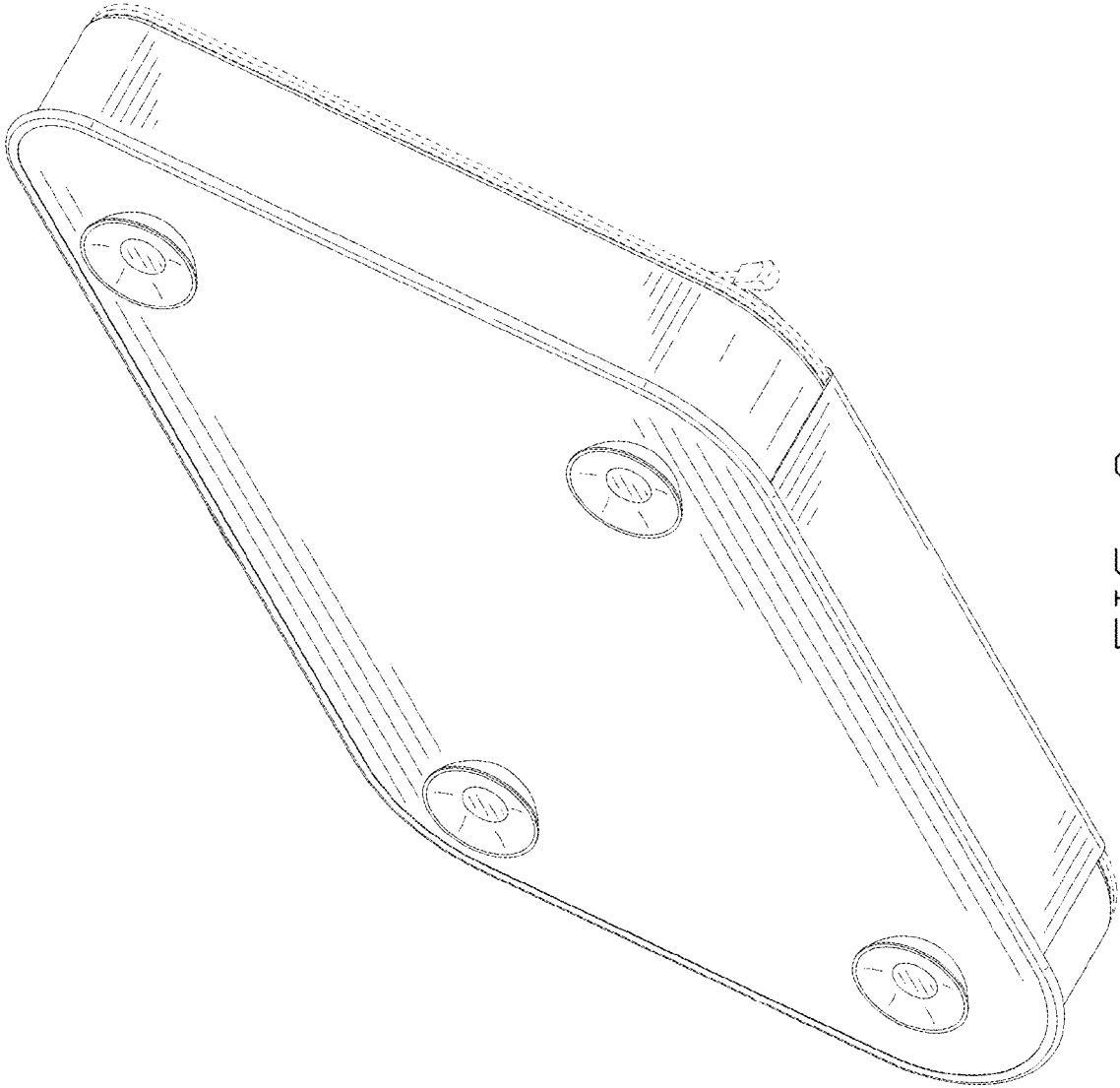


FIG. 2

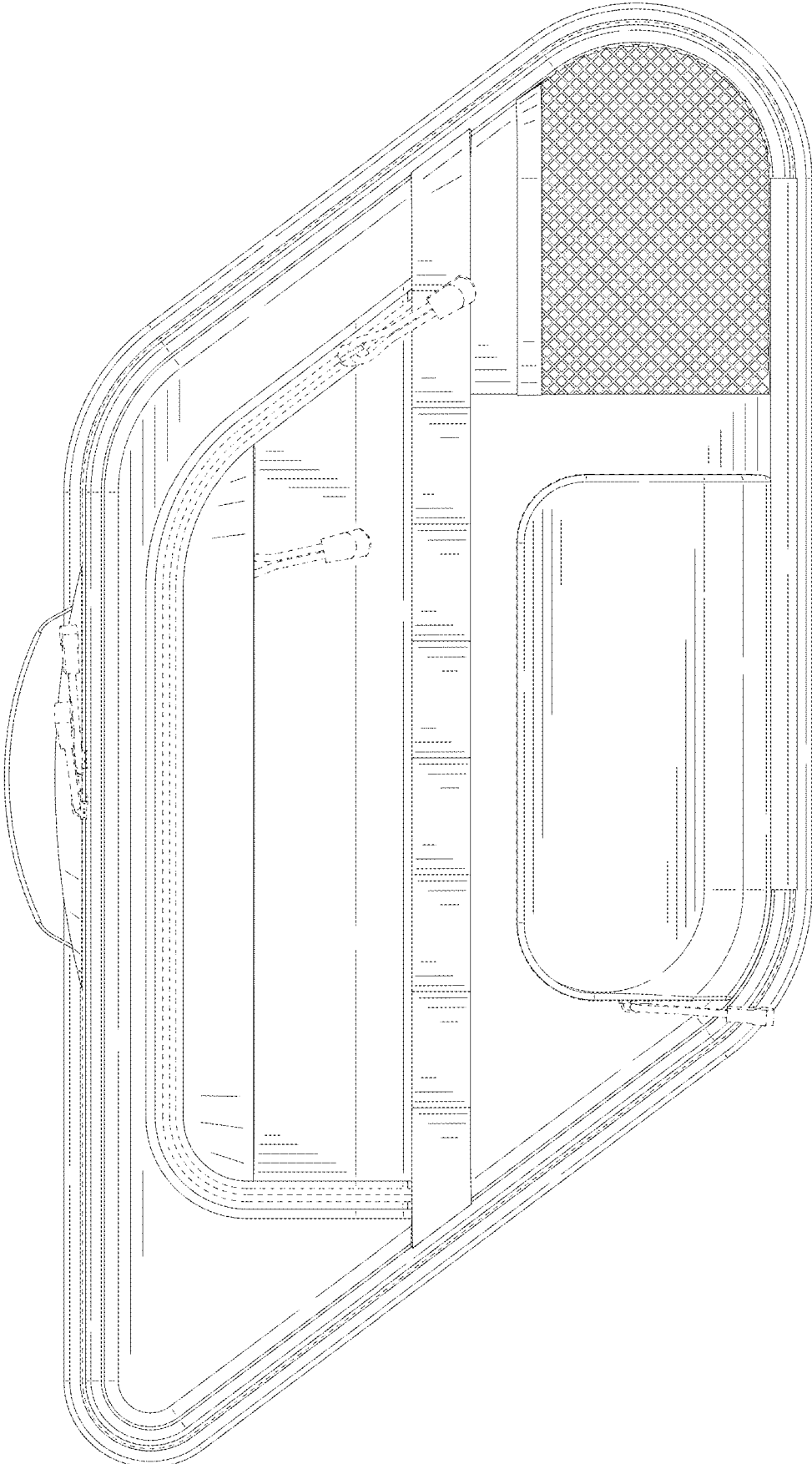


FIG. 3

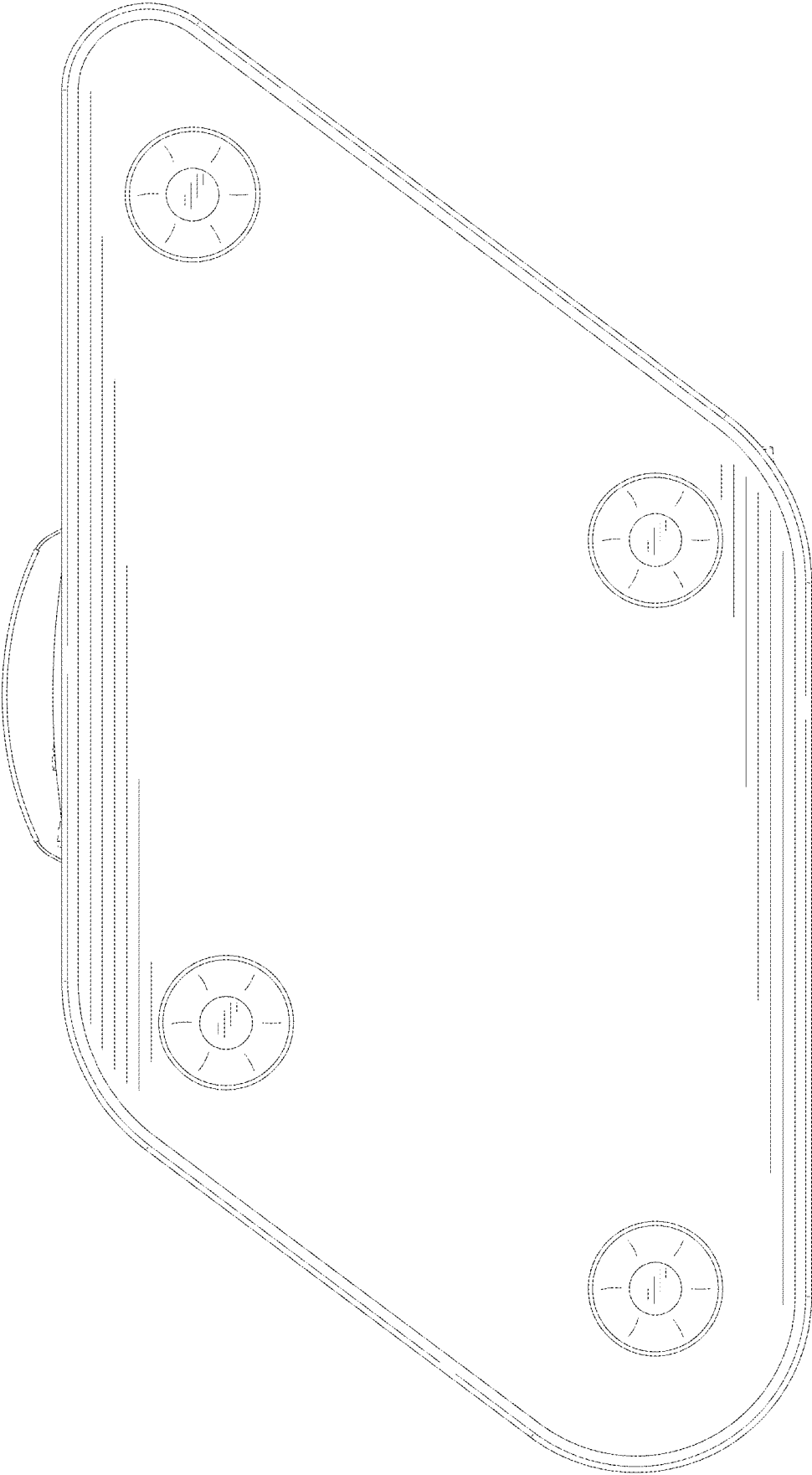


FIG. 4

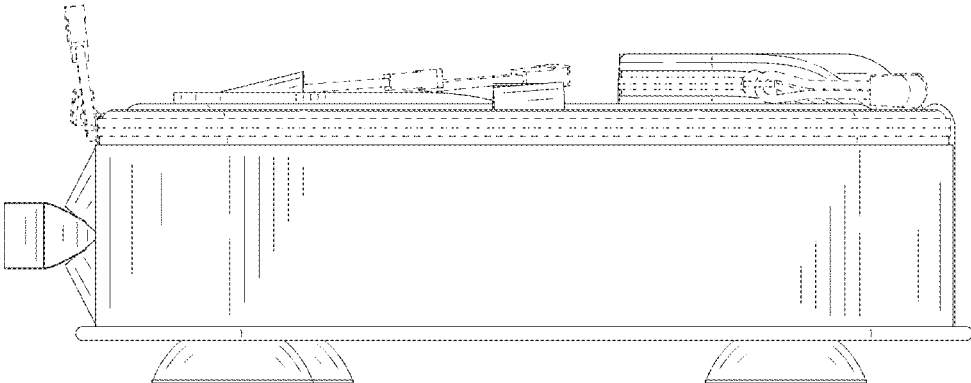


FIG. 5

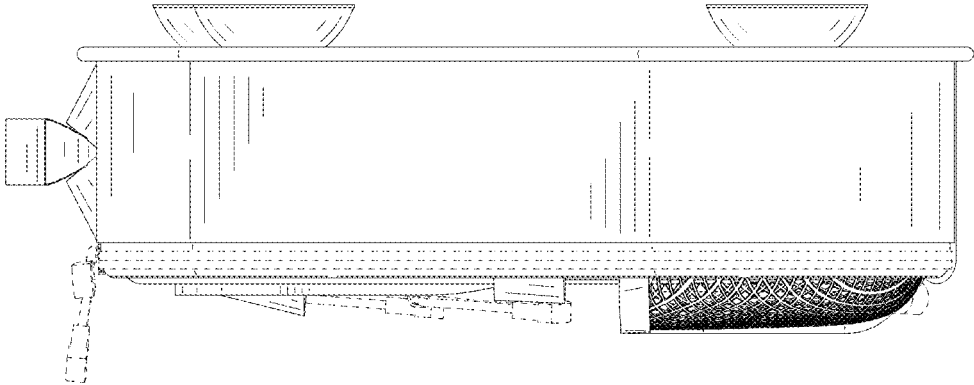


FIG. 6

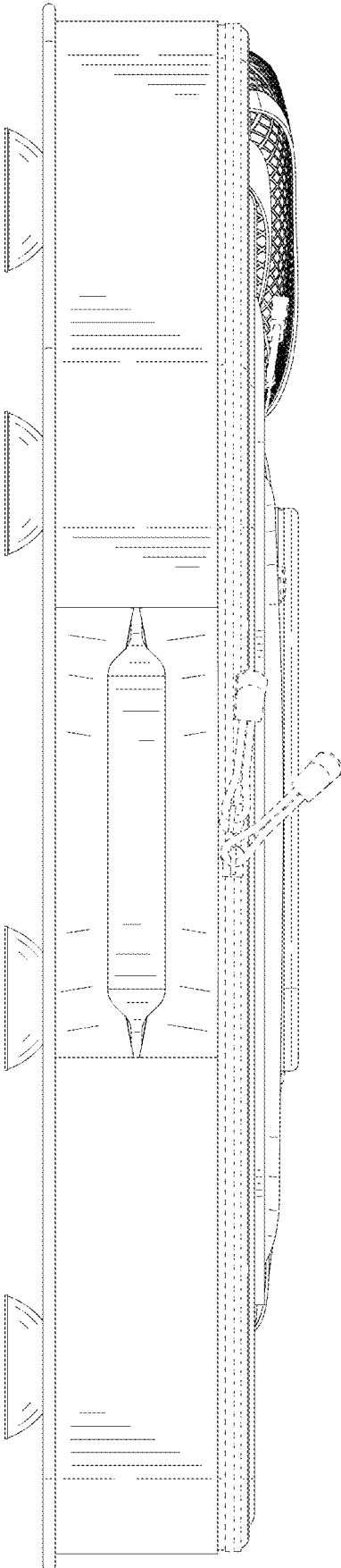


FIG. 7

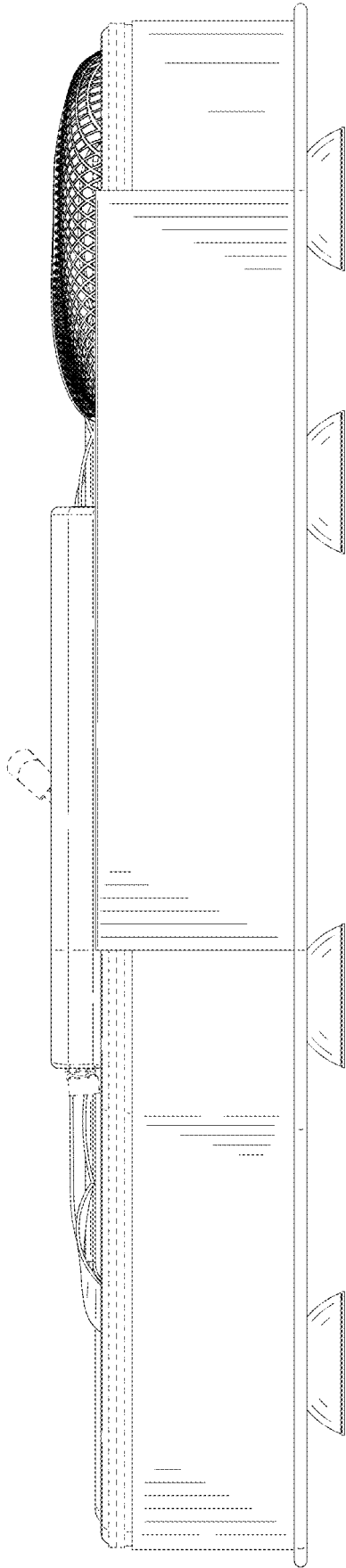


FIG. 8

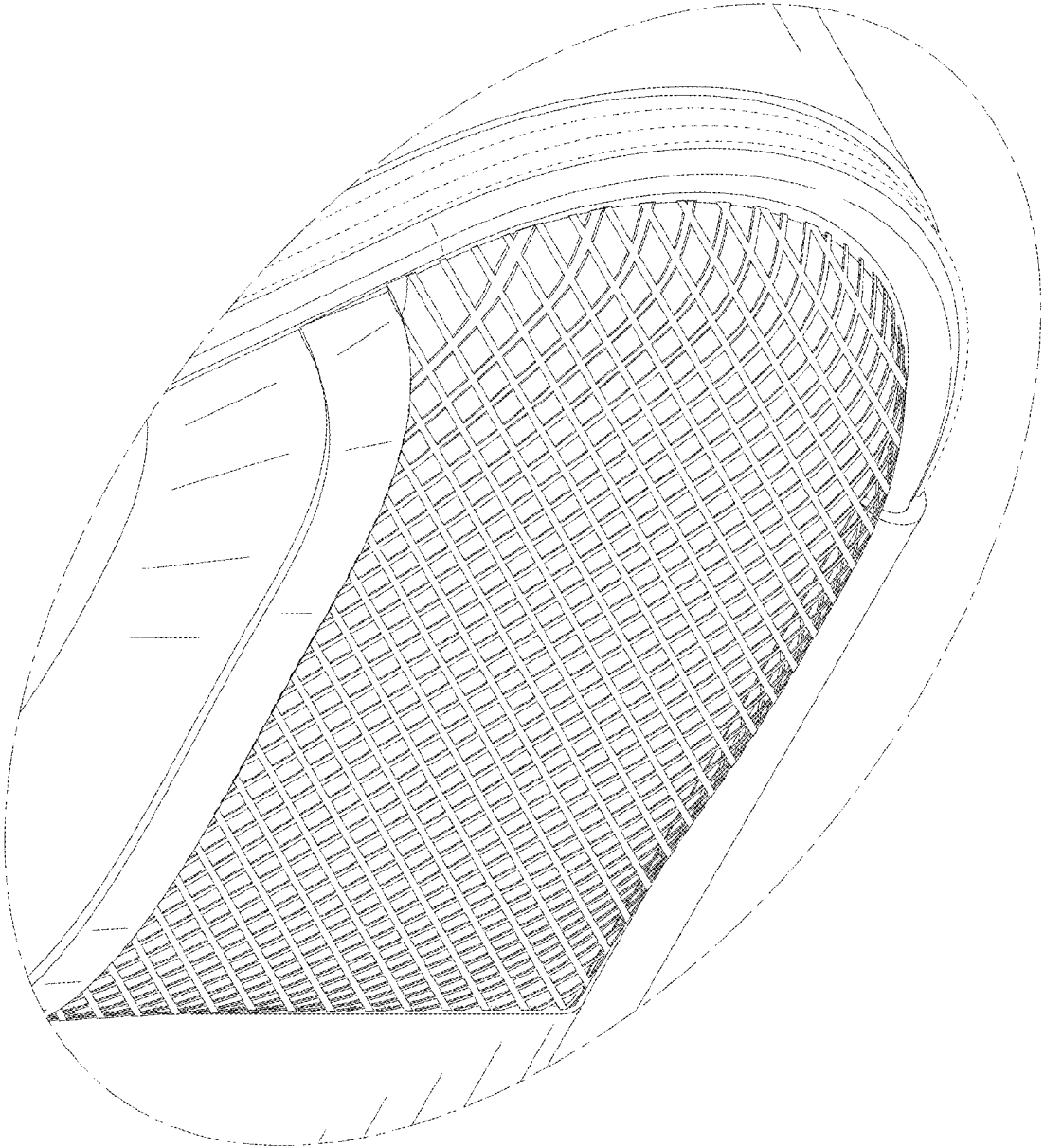


FIG. 9