



US00D837795S

(12) **United States Design Patent**  
**Stewart et al.**

(10) **Patent No.:** **US D837,795 S**

(45) **Date of Patent:** **\*\* Jan. 8, 2019**

- (54) **ELECTRONIC DEVICE CASE**
- (71) Applicant: **Griffin Technology, LLC**, Irvine, CA (US)
- (72) Inventors: **Brittany L. Stewart**, Nashville, TN (US); **Daniel Poon**, Nashville, TN (US)
- (73) Assignee: **Griffin Technology, LLC**, Irvine, CA (US)
- (\*\*) Term: **15 Years**
- (21) Appl. No.: **29/632,012**
- (22) Filed: **Jan. 4, 2018**

D696,256	S	*	12/2013	Piedra	.....	D14/440
D730,913	S	*	6/2015	Shao	.....	D14/440
D760,708	S	*	7/2016	Hirst	.....	D14/250
D766,907	S	*	9/2016	Veltz	.....	D14/440
D772,881	S	*	11/2016	Chang	.....	D14/440
D824,391	S	*	7/2018	Melmon	.....	D14/440
2010/0294683	A1	*	11/2010	Mish	.....	A45C 11/00 206/320
2012/0037523	A1	*	2/2012	Diebel	.....	A45C 11/00 206/320
2012/0308981	A1	*	12/2012	Libin	.....	G09B 3/00 434/362
2013/0020216	A1	*	1/2013	Chiou	.....	G06F 1/1626 206/320

\* cited by examiner

*Primary Examiner* — Cynthia R Underwood  
(74) *Attorney, Agent, or Firm* — Manatt, Phelps & Phillips, LLP

**Related U.S. Application Data**

- (63) Continuation of application No. 29/603,736, filed on May 11, 2017, now Pat. No. Des. 807,368, which is a continuation of application No. 29/555,804, filed on Feb. 25, 2016, now Pat. No. Des. 786,881.
- (51) **LOC (11) Cl.** ..... **14-02**
- (52) **U.S. Cl.**  
USPC ..... **D14/440**
- (58) **Field of Classification Search**  
USPC ..... D14/440; D8/440; 261/45.23, 320, 45.2; 361/679.55; 29/25  
CPC ..... G06F 1/628; G06F 1/626; H04B 1/3555; H05K 5/0217  
See application file for complete search history.

**References Cited**

**U.S. PATENT DOCUMENTS**

D600,699	S	*	9/2009	Johnston	.....	D14/440
D669,480	S	*	10/2012	Piedra	.....	D14/440
D692,434	S	*	10/2013	Kim	.....	D14/440
D696,253	S	*	12/2013	Akana	.....	D14/345

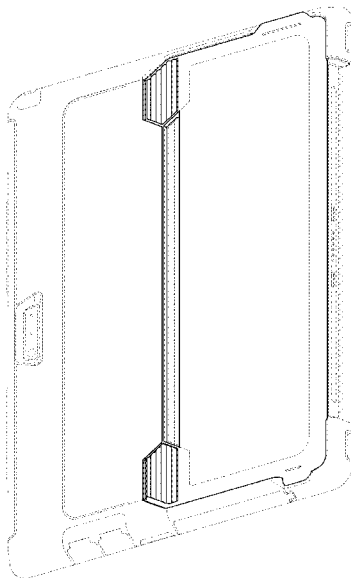
(57) **CLAIM**

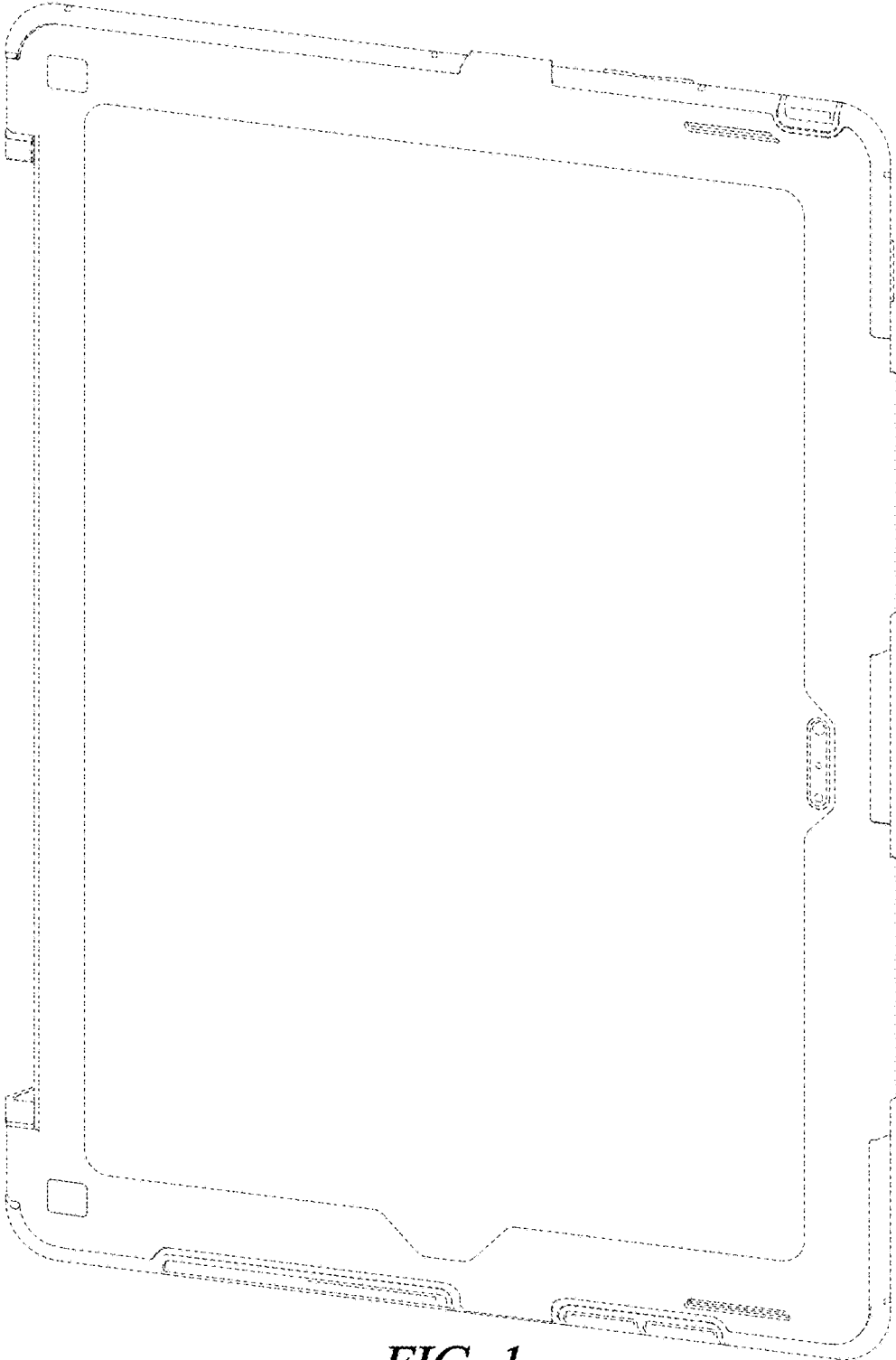
We claim the ornamental design for an electronic device case, as shown and described.

**DESCRIPTION**

FIG. 1 is a front perspective view of an electronic device case;  
FIG. 2 is a rear perspective view thereof;  
FIG. 3 is a front view thereof;  
FIG. 4 is a rear view thereof;  
FIG. 5 is a left view thereof;  
FIG. 6 is a right view thereof;  
FIG. 7 is a top view thereof; and,  
FIG. 8 is a bottom view thereof.  
Broken lines having a dash-dash configuration depict environmental subject matter and form no part of the presently claimed design.

**1 Claim, 6 Drawing Sheets**





*FIG. 1*

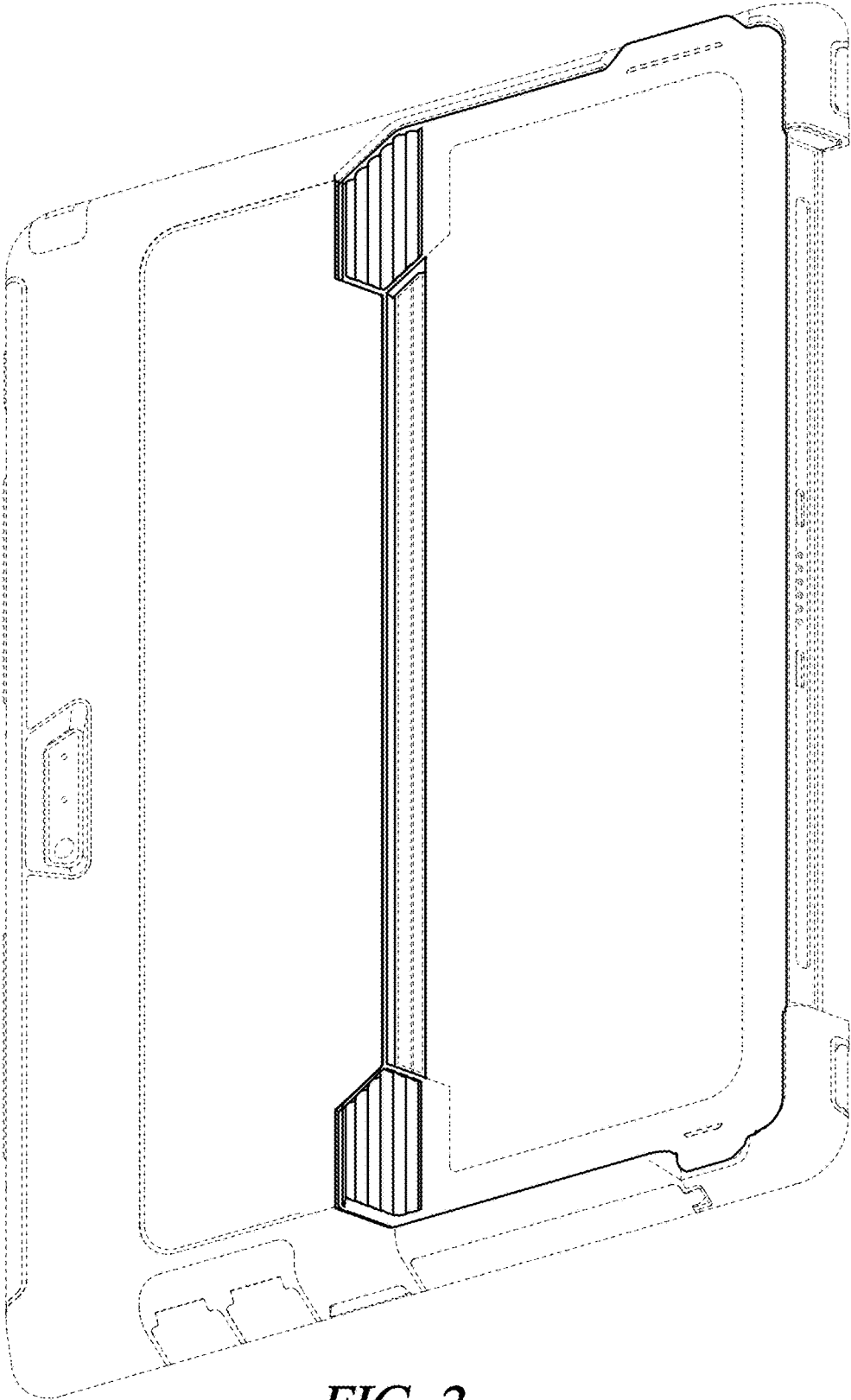
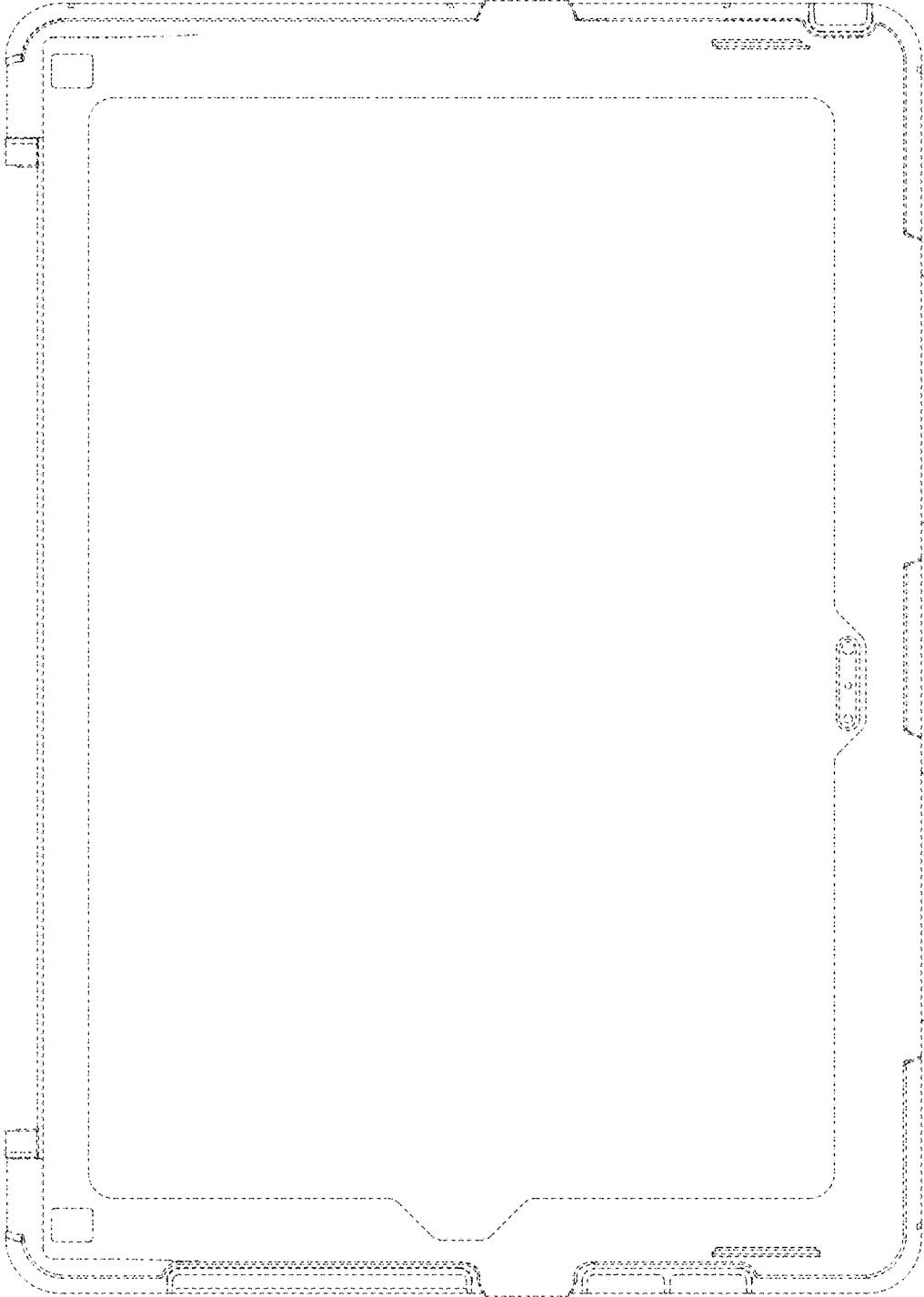


FIG. 2



*FIG. 3*

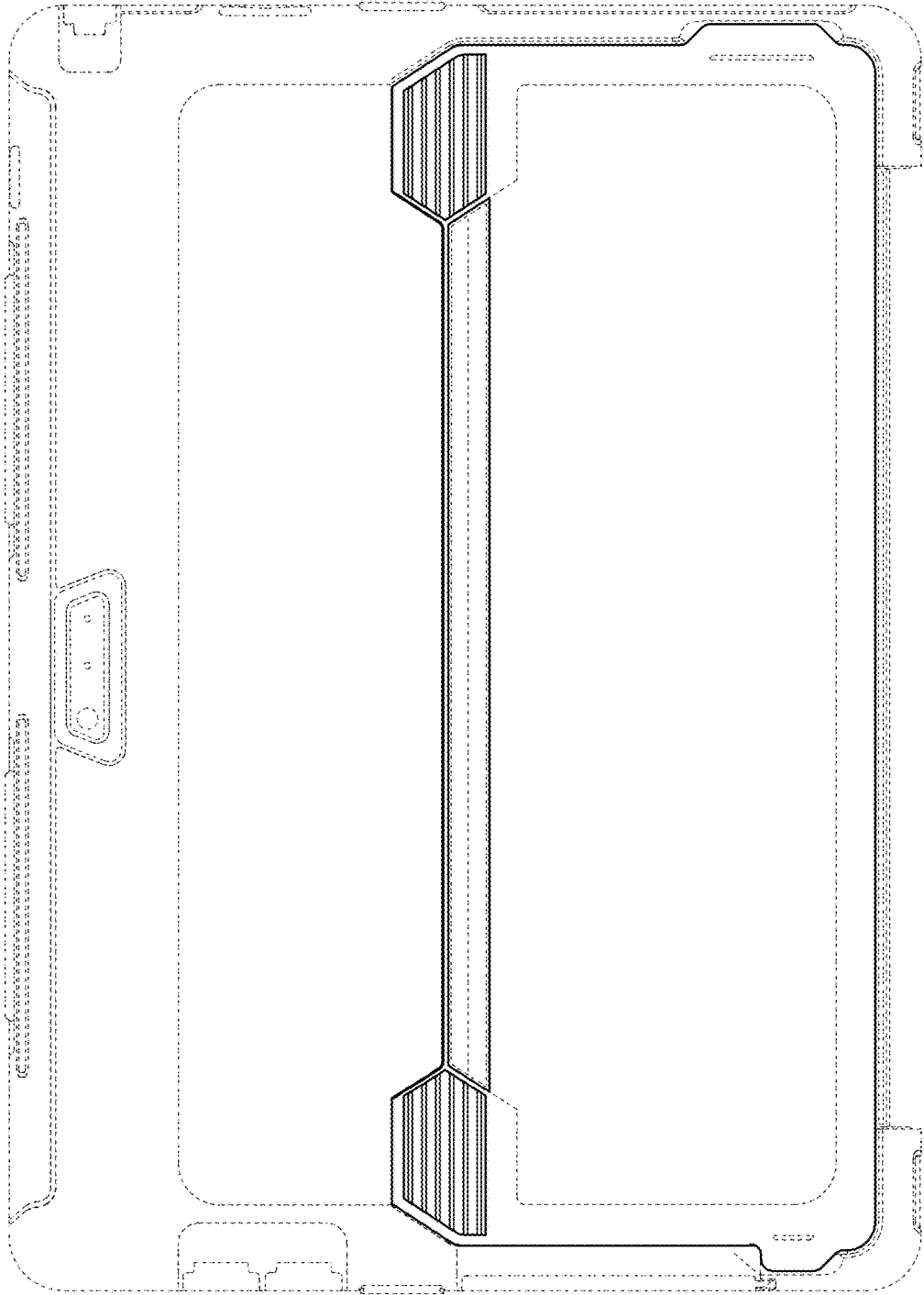
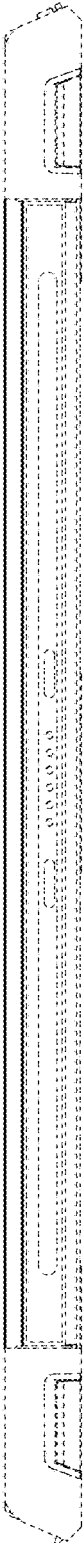


FIG. 4



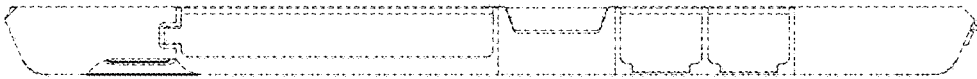
*FIG. 5*



*FIG. 6*



*FIG. 7*



*FIG. 8*