



US0D1001879S

(12) **United States Design Patent**
Scalisi

(10) **Patent No.:** **US D1,001,879 S**

(45) **Date of Patent:** **** Oct. 17, 2023**

(54) **CAMERA MOUNTING PEDESTAL**

OTHER PUBLICATIONS

(71) Applicant: **SkyBell Technologies IP, LLC**, Irvine, CA (US)

Amazon Brainwavz Wall Mount, earliest pictured Jan. 16, 2022, [online], [site visited May 11, 2023]. Available via Internet, <URL:https://www.amazon.com/dp/B09DGBV7ZF?ref_=cm_sw_r_cp_ud_dp_Q4RH3C22SA3Y9DDP3EXW&th=1> (Year: 2022).*

(72) Inventor: **Joseph Frank Scalisi**, Lakeway, TX (US)

(Continued)

(73) Assignee: **SkyBell Technologies IP, LLC**, Irvine, CA (US)

Primary Examiner — Sanjeev Paul
Assistant Examiner — Breana Copeland

(**) Term: **15 Years**

(74) *Attorney, Agent, or Firm* — Gallium Law; Wesley Schwie, Esq.; Isabel Fox

(21) Appl. No.: **29/818,387**

(22) Filed: **Dec. 8, 2021**

(57) **CLAIM**

(51) **LOC (14) Cl.** **16-05**

The ornamental design for a camera mounting pedestal, as shown and described.

(52) **U.S. Cl.**

USPC **D16/242**

(58) **Field of Classification Search**

USPC D14/209.1, 229, 251; D16/242, 250, 219

CPC G03B 17/561; G03B 17/56

See application file for complete search history.

DESCRIPTION

FIG. 1 is a top, front, and first side perspective view of a camera mounting pedestal embodying the new design; FIG. 2 is a top, back, and second side perspective view thereof;

(56) **References Cited**

U.S. PATENT DOCUMENTS

| | | | | |
|--------------|---------|----------|-------|---------|
| D406,591 S * | 3/1999 | Richter | | D14/253 |
| D465,532 S | 11/2002 | Hussaini | | |
| D489,323 S | 5/2004 | Yoshida | | |
| D524,729 S * | 7/2006 | Hussaini | | D13/108 |
| D534,938 S | 1/2007 | Beasley | | |
| D595,722 S * | 7/2009 | Miyawaki | | D14/447 |
| D619,157 S | 7/2010 | Kim | | |
| D619,912 S * | 7/2010 | Scalisi | | D10/65 |
| D647,946 S | 11/2011 | Raken | | |
| D666,995 S | 9/2012 | Termeer | | |
| D694,228 S * | 11/2013 | Richter | | D14/253 |

(Continued)

FIG. 3 is a front view thereof;

FIG. 4 is a back view thereof;

FIG. 5 is a first side view thereof;

FIG. 6 is a second side view thereof;

FIG. 7 is a top view thereof;

FIG. 8 is a bottom view thereof;

FIG. 9 is a top, front, and first side perspective view thereof with the camera mounting pedestal coupled to a camera; and,

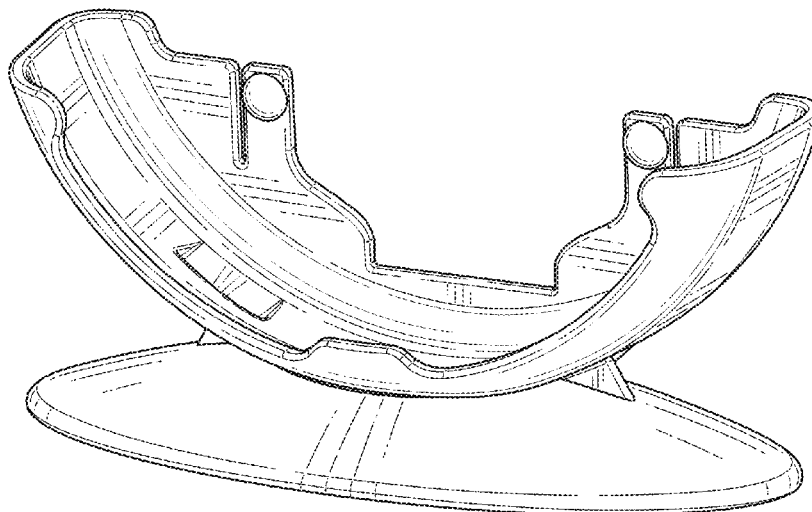
FIG. 10 is a top, back, and second side perspective view thereof with the camera mounting pedestal coupled to a camera.

Any uniform repeating broken lines being presented depict portions of a camera mounting pedestal in which the claimed design is embodied and form no part of the claimed design.

FOREIGN PATENT DOCUMENTS

| | | | |
|----|------------|---|--------|
| CN | 305027796 | * | 2/2019 |
| CN | 306285354 | * | 1/2021 |
| MX | 13188-0001 | * | 2/2002 |

1 Claim, 10 Drawing Sheets



(56)

References Cited

U.S. PATENT DOCUMENTS

| | | | |
|-----------------|---------|-------------------|---------|
| D732,547 S | 6/2015 | McClelland | |
| D741,866 S | 10/2015 | Ballout | |
| D743,467 S | 11/2015 | Bhattacharya | |
| D745,080 S | 12/2015 | Masano | |
| D746,350 S | 12/2015 | Li | |
| D747,383 S | 1/2016 | Li | |
| D753,664 S | 4/2016 | McClelland | |
| D767,377 S * | 9/2016 | Sekula | D8/373 |
| D825,639 S | 8/2018 | Kan | |
| D833,504 S | 11/2018 | Leiponis | |
| D840,368 S | 2/2019 | Deng | |
| D849,095 S | 5/2019 | Puric | |
| D887,477 S | 6/2020 | Vega | |
| D981,991 S * | 3/2023 | van de Kamp | D14/217 |
| 2015/0358515 A1 | 12/2015 | Resnick | |
| 2017/0192343 A1 | 7/2017 | Leiponis | |

OTHER PUBLICATIONS

Amazon Aobelive Camera Mount, earliest pictured Feb. 27, 2017, [online], [site visited May 11, 2017]. Available via Internet, <URL:https://www.amazon.com/Aobelive-Release-Curved-Adhesive-Camera/dp/B06XBZ4T27> (Year: 2017).*

OPT TPO Vixen Saddle for Camera Tripods, earliest pictured Aug. 14, 2020, [online], [site visited May 11, 2023]. Available via Internet, <URL:https://optcorp.com/products/tpo-dovetail-mount-adapter-dm> (Year: 2020).*

Google Search, [online], [site visited May 17, 2023]. Available via Internet, <https://www.google.com/search?q=CAMERA+cradle&tbm=isch&ved=2ahUKewjS96K5g_3-AhVhFmlAHf0SDG0Q2-cCegQIABAA&oq=CAMERA+cradle&gs_lcp=CgNpbWcQAZlFCAAQgAQyBwgAEBgQgARQAFikB2DMCGgAcAB4AYABxASiAd8KkgELMC4xLjEuMC4xLjGYAQCgAQGqAQQtnd3Mtd2l6LWltZ8ABAQ&scient=img&ei=2yJlZJKeOuGsiLMP_aWw6AY&bih=1174&biw=2133&rlz=1C1GCEA_enUS10> (Year: 2023).*

* cited by examiner

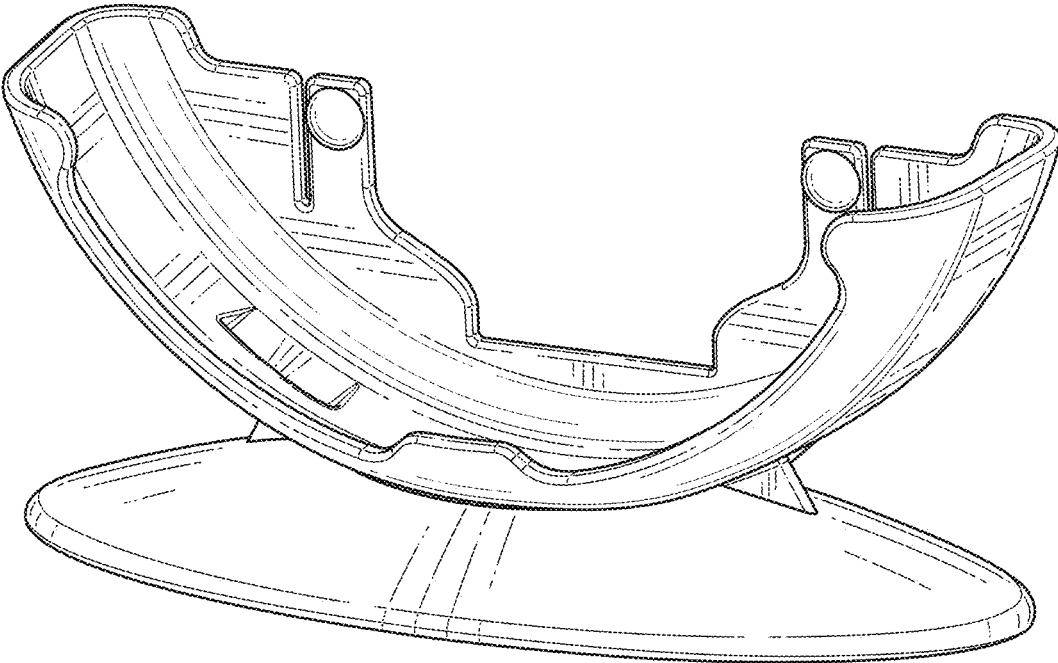


Figure 1

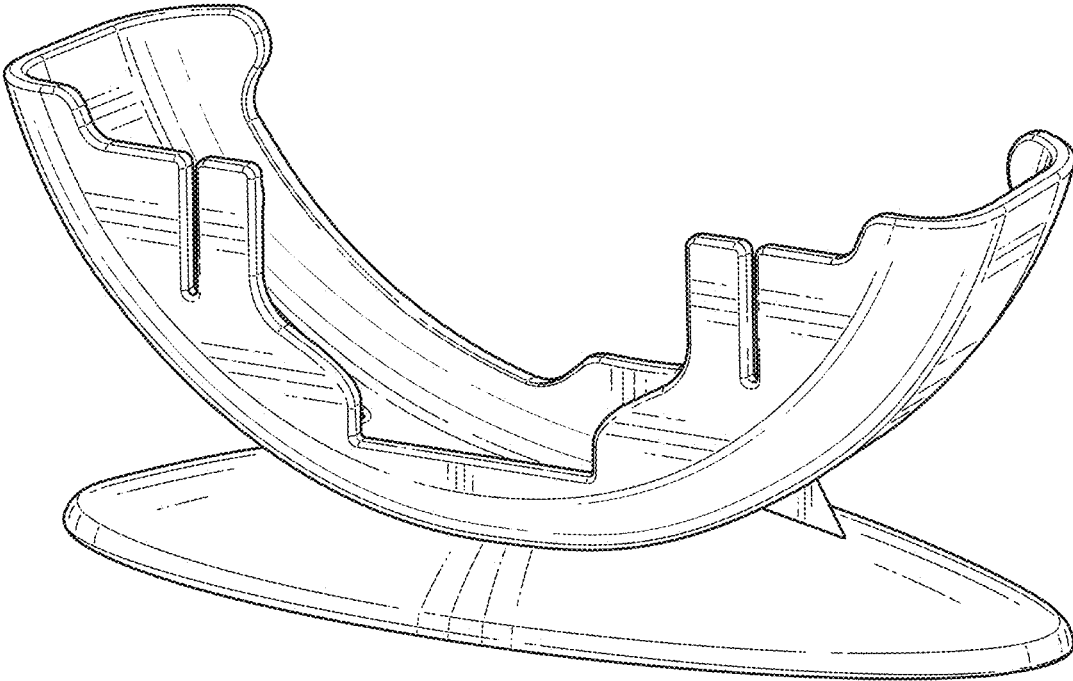


Figure 2

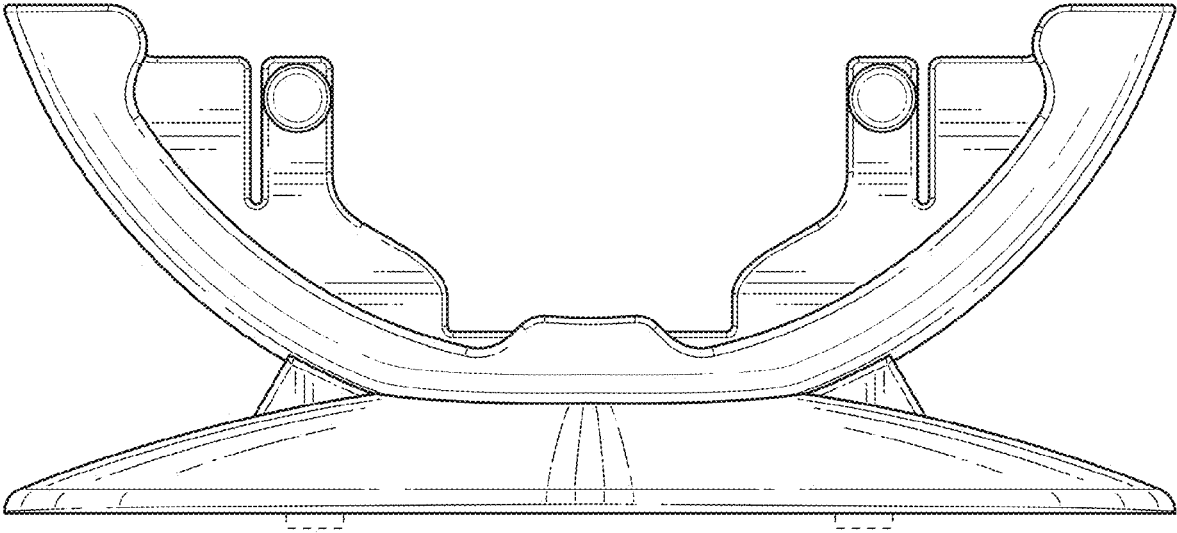


Figure 3

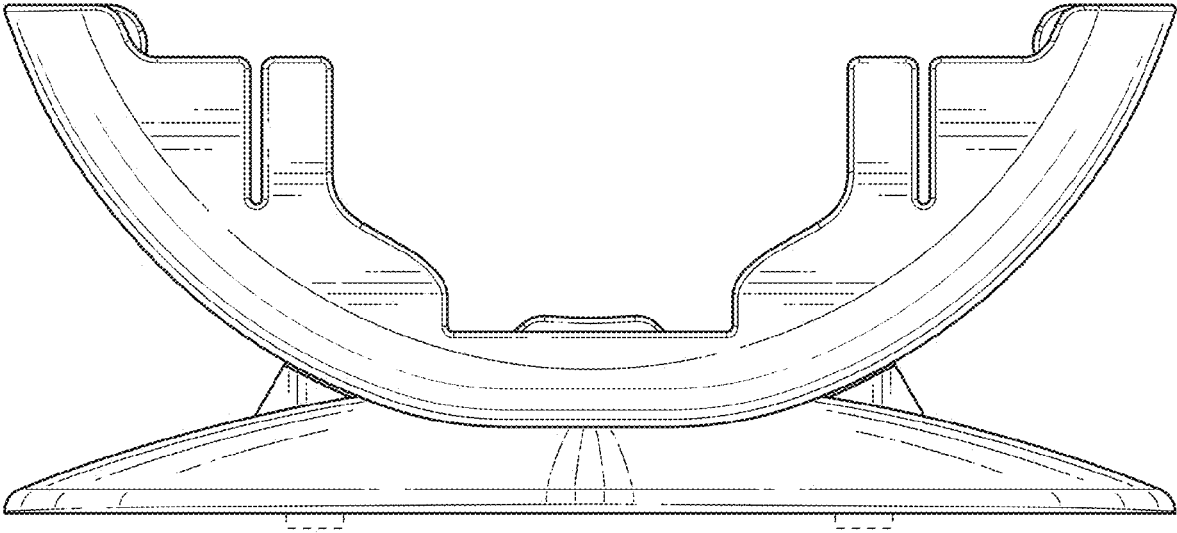


Figure 4

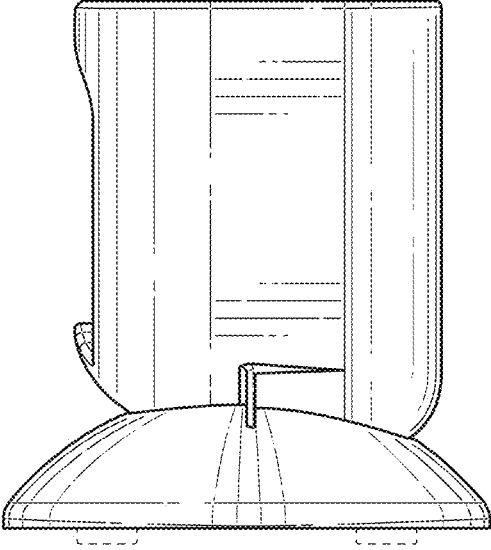


Figure 5

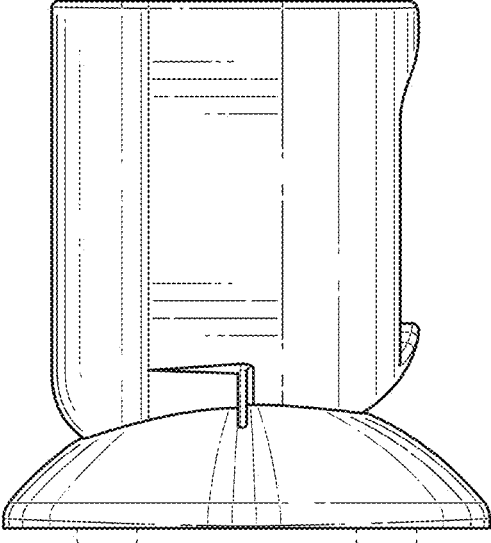


Figure 6

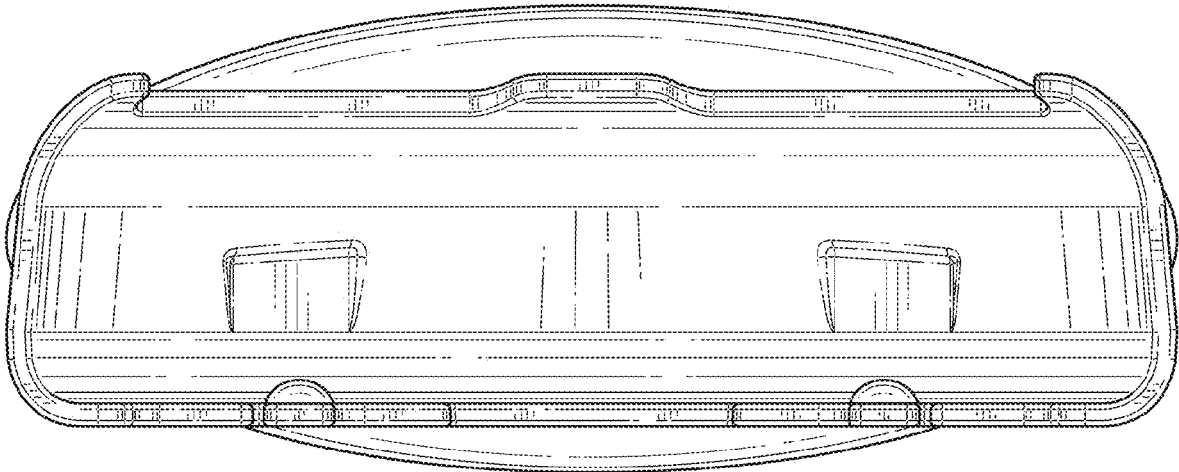


Figure 7

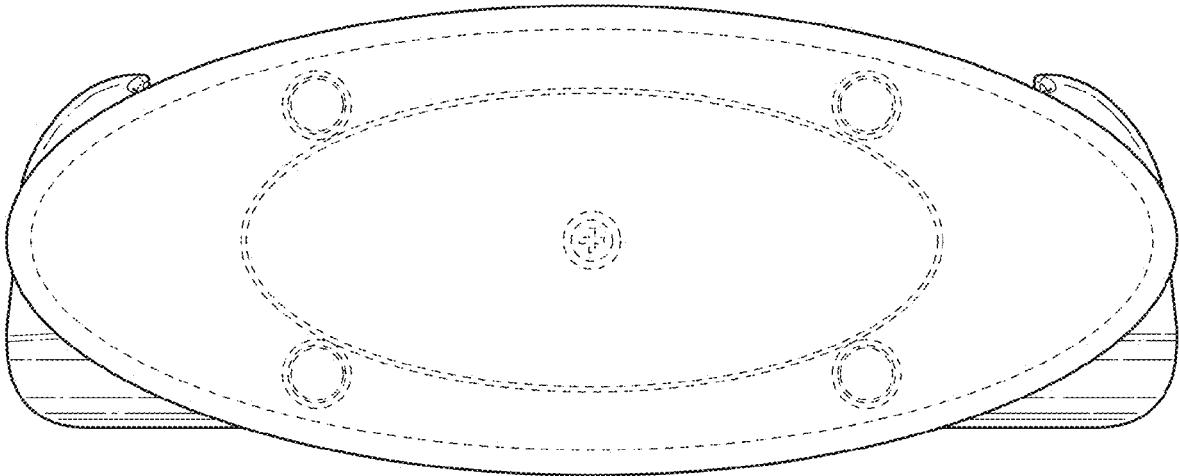


Figure 8

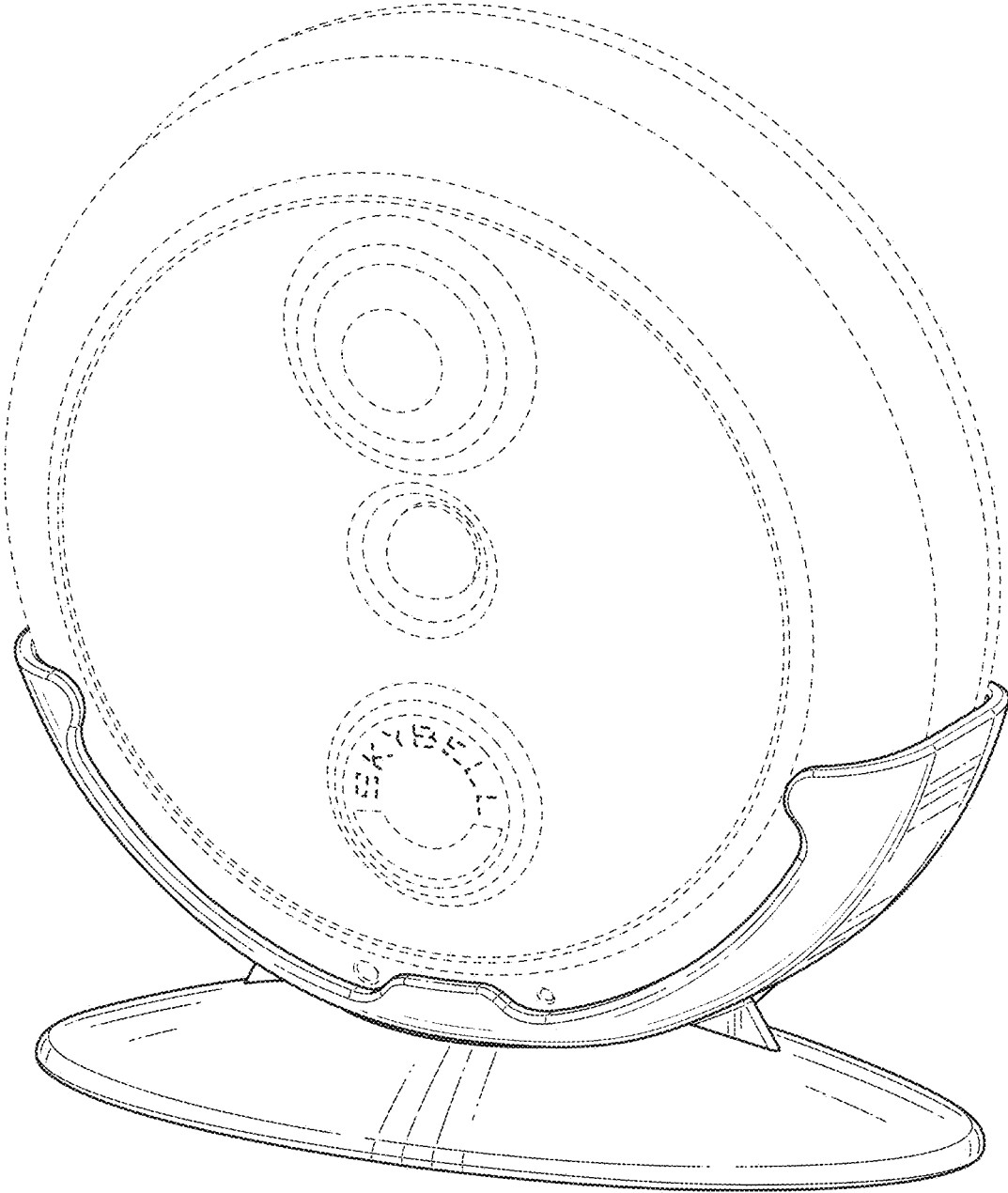


Figure 9

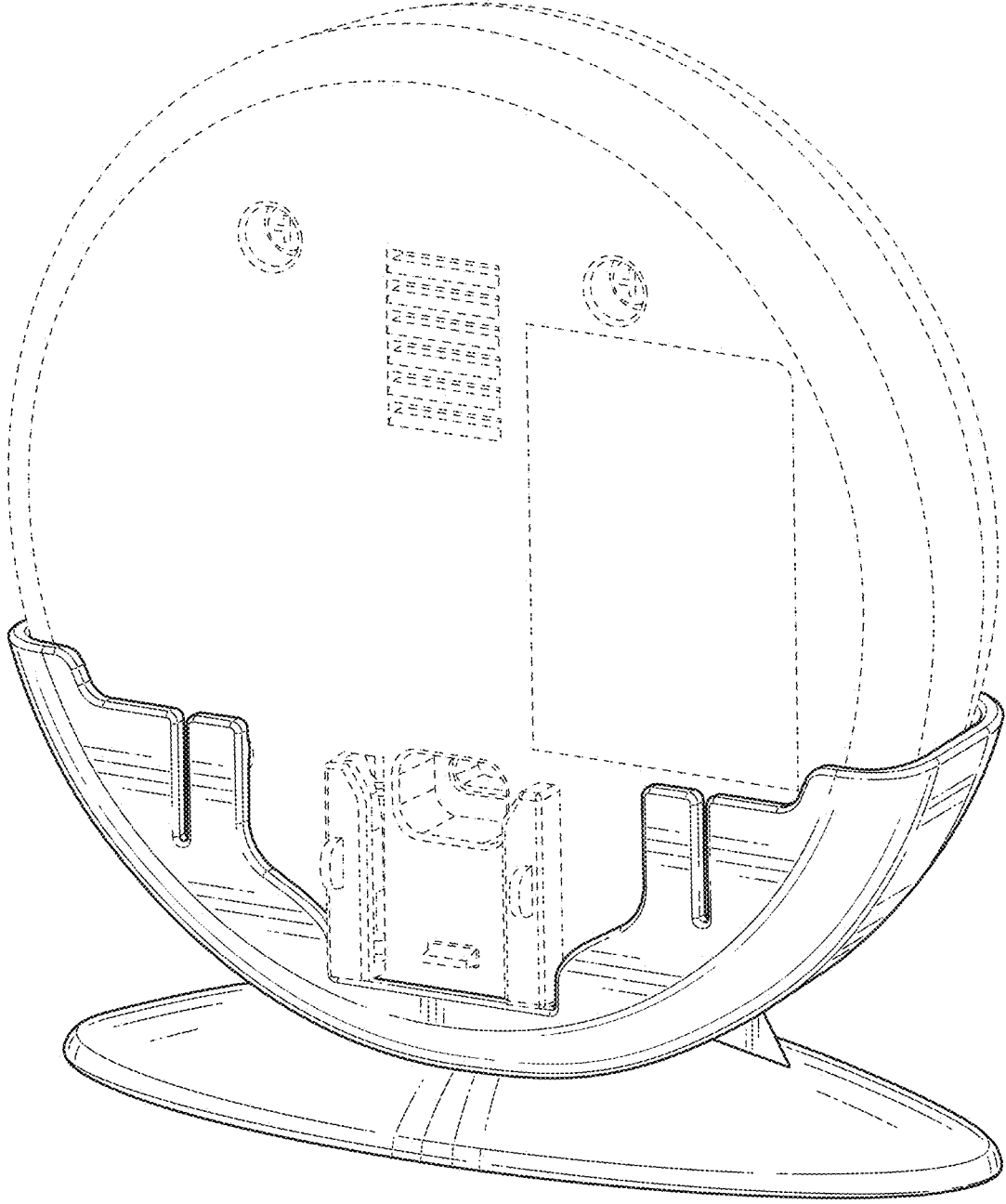


Figure 10