



US00D741288S

(12) **United States Design Patent**
Galler

(10) **Patent No.:** **US D741,288 S**

(45) **Date of Patent:** **** *Oct. 20, 2015**

(54) **HEADPHONES**

(71) Applicant: **Sennheiser electronic GmbH & Co. KG**, Wedemark (DE)

(72) Inventor: **Niklas Galler**, Berlin (DE)

(73) Assignee: **Sennheiser electronic GmbH & Co. KG**, Wedemark (DE)

(*) Notice: This patent is subject to a terminal disclaimer.

(**) Term: **14 Years**

(21) Appl. No.: **29/487,745**

(22) Filed: **Apr. 11, 2014**

(30) **Foreign Application Priority Data**

Oct. 14, 2013 (EM) 001 386 676-0004

(51) **LOC (10) Cl.** **14-01**

(52) **U.S. Cl.**
USPC **D14/205**

(58) **Field of Classification Search**

USPC D14/205, 206; D29/112; 2/209;
181/129, 130, 135; 379/430, 431;
381/380, 381, 374, 379, 378; 455/90.3,
455/575.1

CPC H04R 1/1066
See application file for complete search history.

(56) **References Cited**

U.S. PATENT DOCUMENTS

D411,200 S *	6/1999	Almqvist	D14/192
6,629,579 B1 *	10/2003	Hasegawa	181/129
D512,708 S *	12/2005	Harris et al.	D14/205
D538,261 S *	3/2007	Taylor et al.	D14/205
D552,077 S *	10/2007	Brunner et al.	D14/205
D563,382 S *	3/2008	Wikel	D14/205
D573,581 S *	7/2008	Gondo et al.	D14/205
7,580,539 B2 *	8/2009	Tachikawa	381/374

D639,776 S *	6/2011	Arimoto	D14/205
D657,345 S *	4/2012	Brunner et al.	D14/205
D663,900 S *	7/2012	Karlsson et al.	D29/112
D665,775 S *	8/2012	Katsumata	D14/205
D673,520 S *	1/2013	Tan	D14/205
D675,595 S *	2/2013	Cho et al.	D14/205
D691,109 S *	10/2013	Hardi et al.	D14/205
8,565,468 B2 *	10/2013	Ito et al.	381/378
D696,226 S *	12/2013	Brunner et al.	D14/205
D706,744 S *	6/2014	Yang	D14/205
D707,200 S *	6/2014	Yang	D14/205
D708,164 S *	7/2014	Ishikura	D14/205
D712,375 S *	9/2014	Miyake et al.	D14/205
D719,133 S *	12/2014	Gan	D14/205
D727,285 S *	4/2015	Galler	D14/205
D727,286 S *	4/2015	Galler	D14/205
2005/0053255 A1 *	3/2005	Harris et al.	381/379

* cited by examiner

Primary Examiner — Paula Greene

(74) *Attorney, Agent, or Firm* — Frommer Lawrence & Haug LLP

(57) **CLAIM**

The ornamental design for headphones, as shown and described.

DESCRIPTION

FIG. 1 is a top view of the headphones in accordance with the invention.

FIG. 2 is a bottom view of the headphones in accordance with the invention.

FIG. 3 is a front view of the headphones in accordance with the invention.

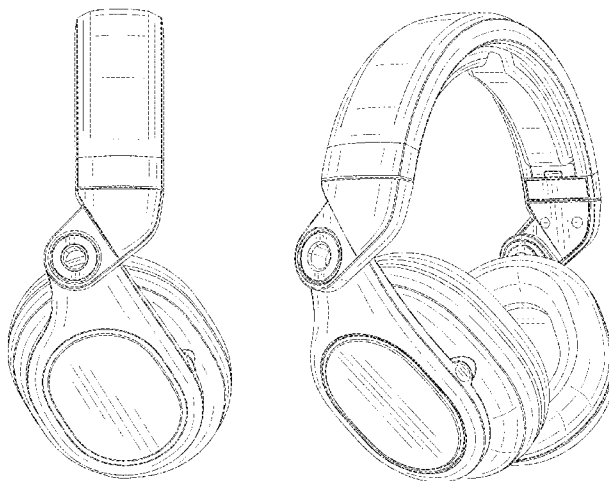
FIG. 4 is a rear view of the headphones in accordance with the invention.

FIG. 5 is a left view of the headphones in accordance with the invention.

FIG. 6 is a right view of the headphones in accordance with the invention; and,

FIG. 7 is a right perspective view of the headphones in accordance with the invention.

1 Claim, 7 Drawing Sheets



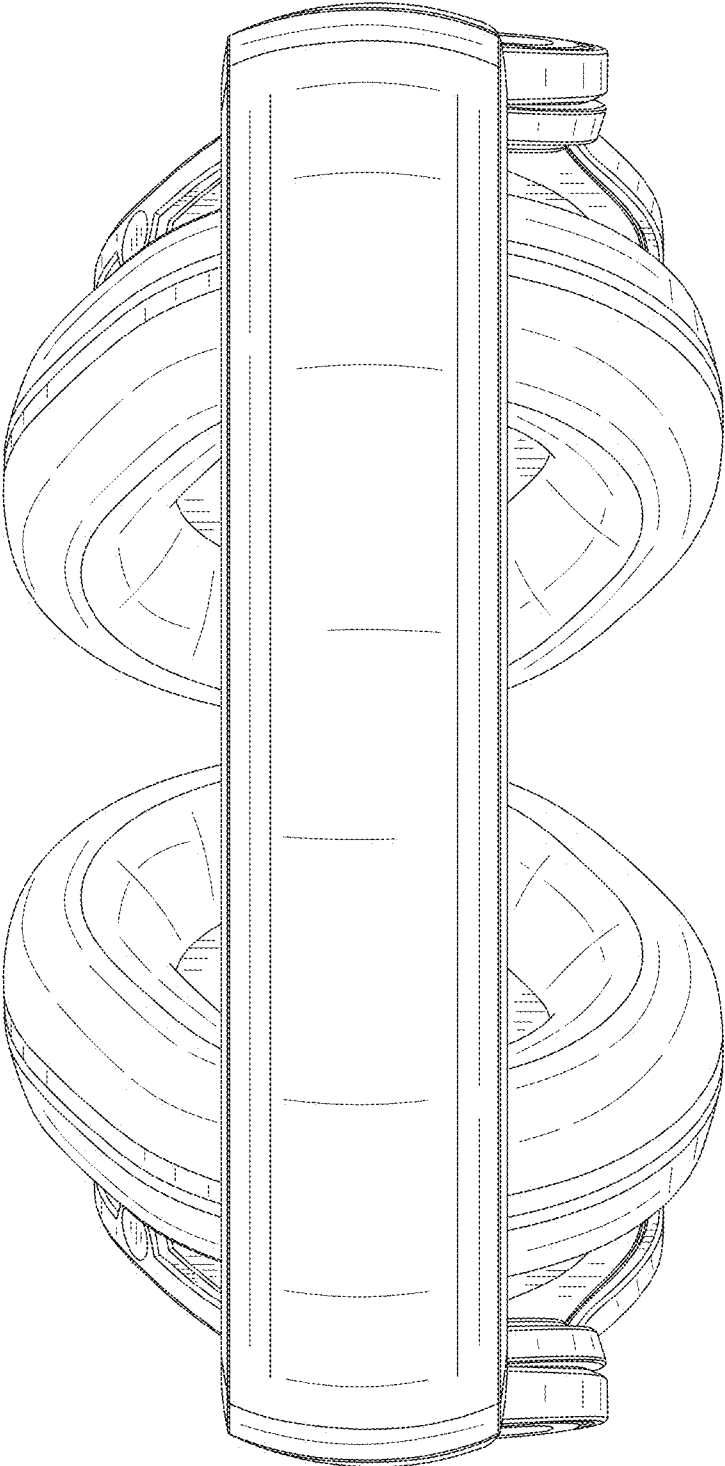


Fig. 1

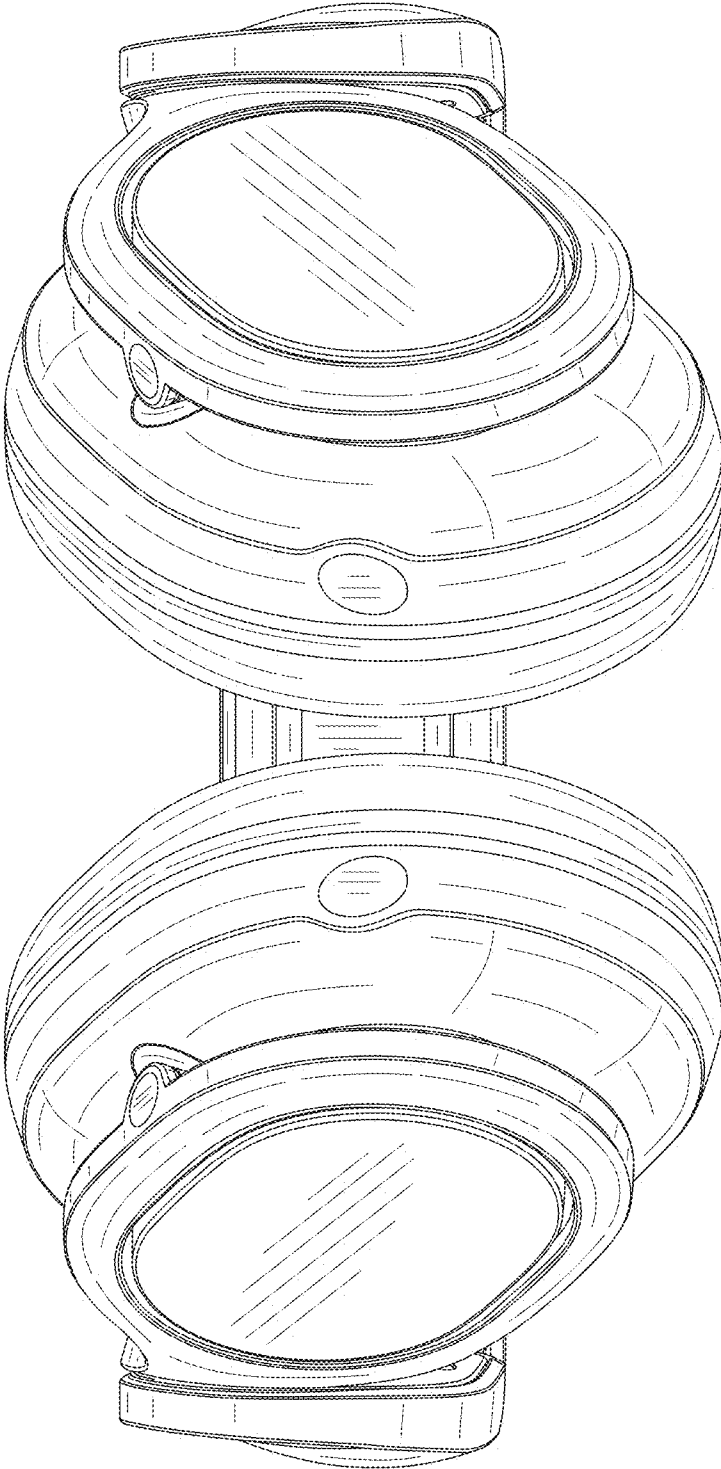


Fig. 2



Fig. 3



Fig. 4

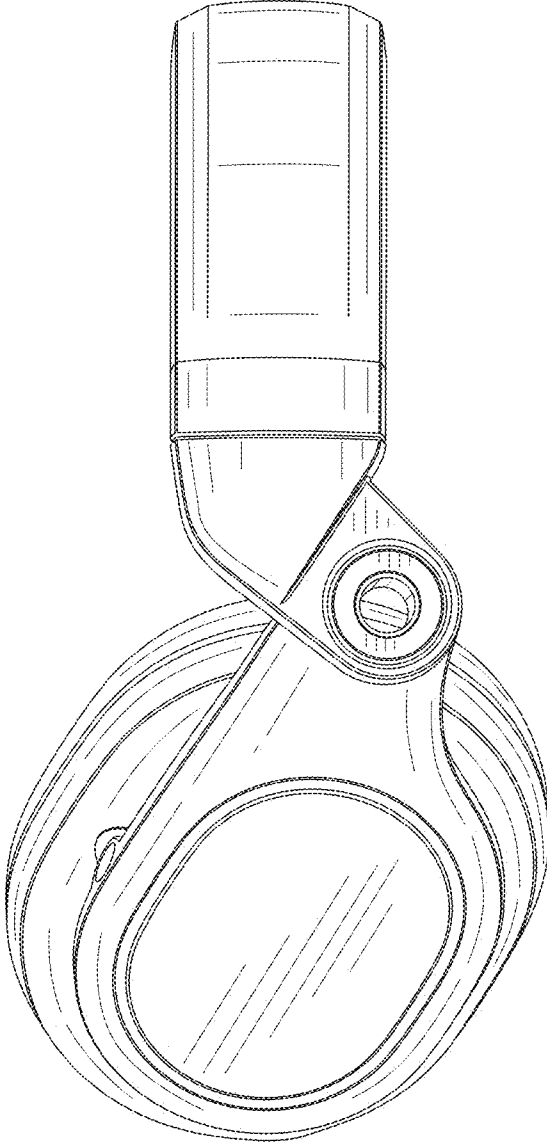


Fig. 5

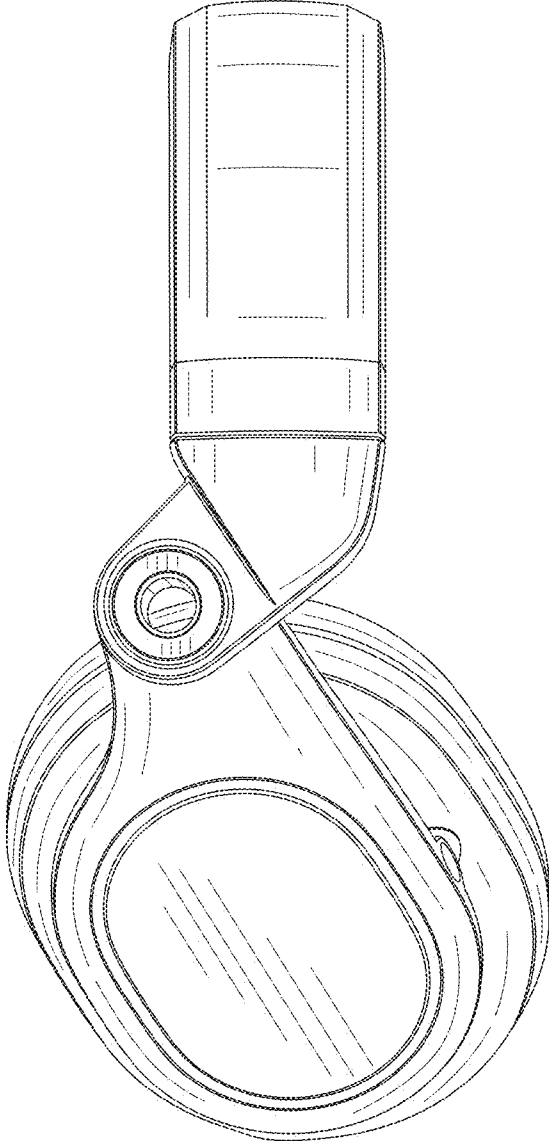


Fig. 6

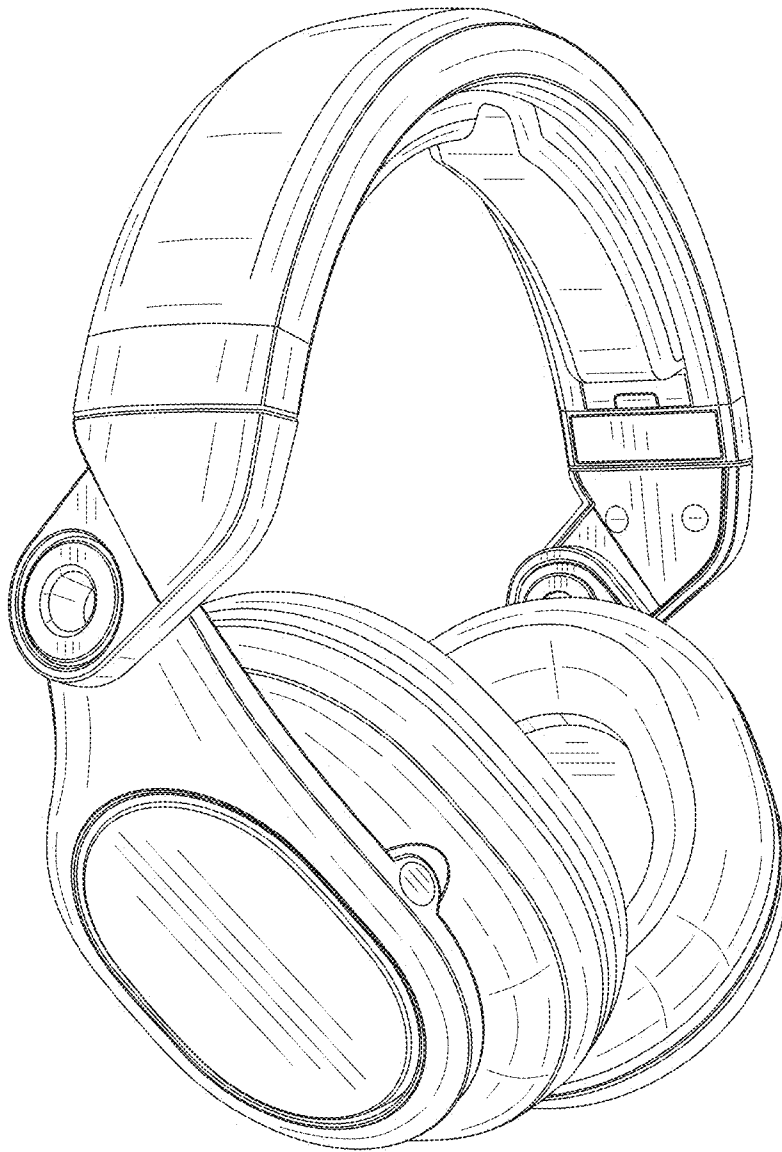


Fig. 7