

(19) World Intellectual Property Organization
International Bureau



(43) International Publication Date
26 May 2005 (26.05.2005)

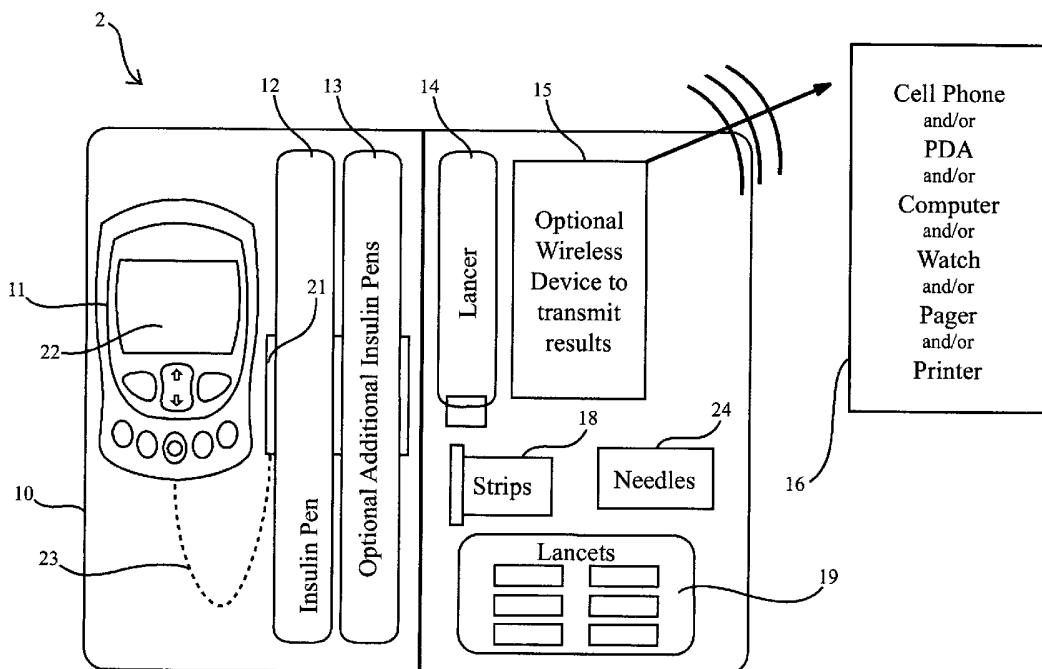
PCT

(10) International Publication Number
WO 2005/046559 A2

- (51) International Patent Classification⁷: **A61J** (US). BIDEGAINBERRY, Jean [US/US]; San Francisco, California (US).
- (21) International Application Number: PCT/US2004/036829 (74) Agent: LASALLE, Carol; Bozicevic, Field & Francis LLP, 200 Middlefield Road, Suite 200, Menlo Park, CA 94025 (US).
- (22) International Filing Date: 5 November 2004 (05.11.2004) (81) Designated States (unless otherwise indicated, for every kind of national protection available): AE, AG, AL, AM, AT, AU, AZ, BA, BB, BG, BR, BW, BY, BZ, CA, CH, CN, CO, CR, CU, CZ, DE, DK, DM, DZ, EC, EE, EG, ES, FI, GB, GD, GE, GH, GM, HR, HU, ID, IL, IN, IS, JP, KE, KG, KP, KR, KZ, LC, LK, LR, LS, LT, LU, LV, MA, MD, MG, MK, MN, MW, MX, MZ, NA, NI, NO, NZ, OM, PG, PH, PL, PT, RO, RU, SC, SD, SE, SG, SK, SL, SY, TJ, TM, TN, TR, TT, TZ, UA, UG, US, UZ, VC, VN, YU, ZA, ZM, ZW.
- (25) Filing Language: English
- (26) Publication Language: English
- (30) Priority Data: 60/518,571 6 November 2003 (06.11.2003) US
- (71) Applicant (for all designated States except US): LIFES-CAN, INC. [US/US]; 1000 Gibraltar Drive, Milpitas, California 95035 (US).
- (72) Inventors; and
- (75) Inventors/Applicants (for US only): VEIT, Eric, D. [US/US]; Pleasanton, California (US). BYLUND, Adam [US/US]; Fremont, California (US). WEBER, Barry [US/US]; Livermore, California (US). LUTHER, Peter [US/US]; Pleasanton, California (US). MCCLUSKEY, Joseph [US/US]; 178 East Street, Sharon, Massachusetts
- (84) Designated States (unless otherwise indicated, for every kind of regional protection available): ARIPO (BW, GH, GM, KE, LS, MW, MZ, NA, SD, SL, SZ, TZ, UG, ZM, ZW), Eurasian (AM, AZ, BY, KG, KZ, MD, RU, TJ, TM), European (AT, BE, BG, CH, CY, CZ, DE, DK, EE, ES, FI, FR, GB, GR, HU, IE, IS, IT, LU, MC, NL, PL, PT, RO, SE,

[Continued on next page]

(54) Title: DRUG DELIVERY PEN WITH EVENT NOTIFICATION MEANS



(57) Abstract: Devices, systems and methods are provided for drug delivery and the monitoring thereof. The systems include a drug delivery device, a holder for the drug delivery device when the device is not in use, a detector for detecting the presence of the drug delivery device within or close to the holder, and at least one algorithm for querying and prompting a user of the drug delivery device, wherein the at least one algorithm is activated upon removal of the drug delivery device from the holder.

WO 2005/046559 A2



SI, SK, TR), OAPI (BF, BJ, CF, CG, CI, CM, GA, GN, GQ,
GW, ML, MR, NE, SN, TD, TG).

For two-letter codes and other abbreviations, refer to the "Guidance Notes on Codes and Abbreviations" appearing at the beginning of each regular issue of the PCT Gazette.

Published:

— *without international search report and to be republished upon receipt of that report*

DRUG DELIVERY PEN WITH EVENT NOTIFICATION MEANS**Cross-Reference to Related Applications**

- [0001] This application claims the benefit of U.S. Provisional Patent Application Serial No. 60/518,571, filed on November 6, 2003, the disclosure of which is incorporated herein by reference in its entirety.

Field of the Invention

- [0002] The present invention generally relates to a user-based drug delivery system. More particularly, the invention relates to a drug delivery system that includes a drug delivery instrument or pen provided in a container or case in which the presence or proximity of the pen to the case is detected by means configured within the case or one or more other components of the system, such as a meter, or Personal Digital Assistant (PDA) contained therein.

Background of the Invention

- [0003] Medication infusion devices and physiological fluid characteristic monitoring devices are known in the medical field. One very common application of such devices is the delivery of insulin to and the monitoring of blood glucose levels of diabetics. Increased portability and ease of use of such devices have enabled the diabetic to administer a self-regulated medical treatment regime which in turn provides an increased level of patient autonomy and privacy. This is particularly beneficial since a diabetic's glucose levels may vary daily or hourly.
- [0004] Such self-regulated diabetic treatment regimes often include the self-administration, either by injection and/or ingestion, of various medications, e.g., insulin. In addition to a high degree of medication compliance, for such self-regulated regimes to work effectively and safely, the patient needs to closely monitor the times at which medication is taken and may need to record or document corresponding medically relevant self-monitoring information, e.g., blood glucose level, insulin dosage, etc. The monitoring of such data helps to determine the current status and course of action (regime change) of future actions. Because the recordation or awareness of this information can be time consuming and inconvenient, particularly if done with a paper logbook, it is desirable that recordation, compilation and tracking of this type of information be as seamless and time-efficient to the user as possible.
- [0005] Accordingly, there is continued interest in the development of new devices and methods for the patient-regulated monitoring and recordation of medical information, including but not limited to

drug administration (injection) time and dosage, analyte concentration, e.g., glucose levels, etc. Of particular interest would be the development of a patient-controlled medication administration and monitoring system which provides the patient with flexibility and control, increases convenience, privacy and ease of use for the patient, and enhances portability of system components (e.g., glucose measurement meter, insulin injector, test strips, needles, lancets, etc.).

Summary of the Invention

- [0006] Devices, systems and methods are provided for drug delivery and the monitoring thereof. Generally, a system of the present invention includes a drug delivery device, a holder for the drug delivery device when the device is not in use, a detector for detecting the presence of the drug delivery device within or close to the holder, and at least one algorithm for querying and prompting a user of the drug delivery device, wherein the at least one algorithm is activated upon removal of the drug delivery device from the holder. The detector may be a mechanical switch, a magnetic switch, a density switch, a capacitive switch, an electrical sensor, or an optical sensor. The holder, the detector and the at least one algorithm are incorporated into a case for housing the system. The system may further include an analyte measurement meter where the at least one algorithm is stored in the analyte measurement meter, whereby the meter is caused to turn on upon removal of the drug delivery device from the holder. In certain embodiments, the system includes means for communicating with a device for storing user information, such as drug dosing information.
- [0007] A particular application of the invention is an insulin injection system which includes a meter adapted for the measurement of glucose concentration in a blood sample, an insulin injector, and a storage space for the insulin injector, the storage space including a detector adapted to activate an algorithm in the meter when the insulin injector is removed from or placed in the storage space. A case is provided which is configured for housing the meter and defining the storage space. In certain embodiments, the system includes wireless communication means for transmitting and receiving data to and from an external device, such as a cell phone, a PDA, a computer, etc.
- [0008] The present invention also provides methods of monitoring the use of a drug delivery device, such as an insulin injector, where the methods generally include storing the drug delivery device when the device is not in use, removing the drug delivery device from storage, detecting the removal of the drug delivery device from storage, and activating an algorithm wherein the user of the drug delivery device is queried for information regarding use of the drug delivery device, such as drug dosage information. Other data, such as the time at which the drug delivery device is removed from

storage, may be automatically recorded and stored in memory. In certain variations, the method includes transmitting the information to a data storage device.

[0009] An advantage of the present invention is the automation of the task of logging drug delivery and monitoring data, which eases the burden on the self-administering user from the effort and time of logging such information, and from remembering to do so.

[0010] These and other objects, advantages, and features of the invention will become apparent to those persons skilled in the art upon reading the details of the methods and systems of the present invention which are more fully described below.

Brief Description of the Drawings

[0011] A better understanding of the features and advantages of the present invention will be obtained by reference to the following detailed description that sets forth illustrative embodiments, in which the principles of the invention are utilized, and the accompanying drawings of which:

[0012] Fig. 1 is a schematic illustration of an exemplary embodiment of a system according to the present invention;

[0013] Fig. 2 is a perspective view of another exemplary embodiment of a system according to the present invention;

[0014] Fig. 3 is a flowchart illustrating a sequence of steps in a process according to one or more exemplary embodiments of the method of the present invention; and

[0015] Fig. 4 is a schematic illustration of another exemplary embodiment of a system according to an embodiment of the present invention.

Detailed Description of the Invention

[0016] Before the present invention is described, it is to be understood that this invention is not limited to the particular embodiments described, as such may, of course, vary. It is also to be understood that the terminology used herein is for the purpose of describing particular embodiments only, and is not intended to be limiting, since the scope of the present invention will be limited only by the appended claims.

[0017] Where a range of values is provided, it is understood that each intervening value, to the tenth of the unit of the lower limit unless the context clearly dictates otherwise, between the upper and lower limit of that range and any other stated or intervening value in that stated range is encompassed within the invention. The upper and lower limits of these smaller ranges may

independently be included in the smaller ranges is also encompassed within the invention, subject to any specifically excluded limit in the stated range. Where the stated range includes one or both of the limits, ranges excluding either or both of those included limits are also included in the invention.

[0018] Unless defined otherwise, all technical and scientific terms used herein have the same meaning as commonly understood by one of ordinary skill in the art to which this invention belongs. Although any methods and materials similar or equivalent to those described herein can also be used in the practice or testing of the present invention, the preferred methods and materials are now described.

[0019] It must be noted that as used herein and in the appended claims, the singular forms “a”, “an”, and “the” include plural referents unless the context clearly dictates otherwise. Thus, for example, reference to “a test strip” includes a plurality of such test strips and reference to “the device” includes reference to one or more devices and equivalents thereof known to those skilled in the art, and so forth.

[0020] The publications discussed herein are provided solely for their disclosure prior to the filing date of the present application. Nothing herein is to be construed as an admission that the present invention is not entitled to antedate such publication by virtue of prior invention. Further, the dates of publication provided might be different from the actual publication dates which may need to be independently confirmed.

[0021] While the invention is primarily described in diabetic applications, in particular in the context of insulin delivery and glucose concentration measurements, it is understood that the present invention is not so limited and may be employed in any drug delivery application, particularly where the drug delivery regime is self-administered. Other applications include, for example, the administration of humane growth hormones, asthma medication, blood thinners.

[0022] Referring now to the drawings, Fig. 1 illustrates of a schematic representation of a system 2 of the present invention which includes a storage/carry case or container 10 which provides various devices and components for use by a patient for the self-monitoring of glucose levels and the self-administration of insulin. In particular, the system includes a glucose measurement meter 11 and one or more drug delivery devices 12 and 13, such as insulin injector pens or insulin syringes. Meter 11 may be any meter of the appropriate size with functionality as described herein. The delivery devices may be of the same or of a different type. One skilled in the art will recognize that any number of drug delivery devices may be included in case 10.

[0023] Case 10 may be formed from soft, pliable materials including leather, vinyl, plastic, or other suitable material known to those skilled in the art. Alternatively, case 10 may be made of a rigid

material such as injection molded plastic. Closure of case 10 may be accomplished with a zipper, snap, catch, latch or any suitable securing means. Meter 11 may be secured in case 10 by a hook and loop fastener (e.g., Velcro), a loop, adhesive, or any other suitable means such that meter 11 is easily removable from case 10 by the user. Case 10 may have a configuration to attach to other modular or auxiliary cases which contain the same or similar devices and supplies. Such an auxiliary case may be helpful when traveling to ensure the availability of supplies and medication to treat oneself at any time.

[0024] Optionally, case 10 may further include compartments or containers for holding a variety of devices and components for accessing or collecting samples of blood or body fluid, such as a lancing mechanism 14, lancets 19 and needles 24. Case 10 may further include devices, such as test strips 18, for transferring and presenting the accessed or collected samples of blood or body fluid to within meter 11.

[0025] Case 10 is configured to provide communication between certain components contained within case 10. For example, case 10 may include a detection means 21 for detecting the presence or removal of drug delivery device 12 and/or 13 within or from case 10. Detection device 21 may be a switch or sensor, such as a mechanical, magnetic, density, capacitive switch, or an electrical or optical sensor, such as an infrared sensor.

[0026] Detection device 21 may be configured as shown or embedded within a cradle, cavity or holder which provides a secure means, such as a snap-fit configuration, for retaining the drug delivery devices within case 10. For example, an infrared emitter and detector may be separately mounted on opposing sides of the pen cradle. If the injector pen is present within the cradle, the infrared beam emitted by the emitter will be blocked from receipt by the infrared detector. Where the pen is absent from the cradle, the infrared beam is detected by the detector and a signal is sent to case 10 or meter 11 indicating such.

[0027] Alternatively, as illustrated in Fig. 2, the detection means may be configured for detecting the proximity of device 12 and/or 13 to case 10 or meter 11. For example, the detection means may include proximity labels 25 or 26 which may be removably affixed or adhered to drug delivery device 12 and a corresponding proximity label 27 which is provided on meter 11. The proximity labels may be in the form of a magnetic label with adhesive backing or other sensor type which may be attached to drug delivery pen 12. Meter 11 has corresponding electronics which detect the position insulin pen 12 with respect to meter 11. Therefore movement of insulin pen 12 can be detected and monitored with meter 11. For example, when the injection device is moved a specified distance, e.g., 6 inches or more, from meter 11, meter 11 would be triggered on. It is an advantage of

this embodiment in that drug delivery pen 12 does not have to be attached to case 10 while at the same time the initiation of use for drug delivery pen 12 can still be monitored.

- [0028] Still yet the drug delivery device detection means may include a radio frequency (RF) generating means incorporated within the drug delivery pen 10 or under a cap provided on the pen such that, when the cap is removed from the pen, an RF signal is transmitted to case 10 or meter 11 which has an RF receiver means. This action is recorded and can be interacted (graphed) with the self-monitoring information. This embodiment reduces the active steps required to be performed by the patient, and as such, eases compliance to the prescribed treatment plan.
- [0029] With any configuration of the detection means 21, the switch or sensor may be communicatively coupled to meter 11 and/or to a microprocessor and memory chip or the like which is built in to the case itself, where meter 11 and the microprocessor/memory chip are also electrically coupled, such as by way of a serial communication port or electrical connection 23. Alternatively, meter 11 may be integrated into case 10 where, collectively, the two form a PDA device.
- [0030] Where the drug injector is preloaded with the drug to be delivered, another sensor may be employed to automatically determine the amount of drug dispensed from the injector. In this way, the patient is relieved from logging or recording this information.
- [0031] Case 10 may be further equipped with a meter detector (not shown) to detect the presence and removal of meter 11 from case 10, and as such, in order to determine whether the patient has performed a glucose measurement test prior to an insulin dosing. In this way, the appropriate prompts and queries can be made to the user. Such a meter detector may be a mechanical single pole switch mounted within the portion of case 10 in which meter 11 is retained.
- [0032] Case 10 may further include a sensor (not shown) for detecting whether the case cover is open or closed. A suitable sensor may be employ two flexible magnetic tape strips placed on opposite side of the case cover. When the case is closed, the system may be triggered to go into a "sleep" mode to save battery power.
- [0033] Case 10 may further include means for enabling the communication between the case, meter and/or PDA and a device or system 16 external to case 10. Examples of such external devices 16 include a cell phone, PDA, computer, watch, pager, printer, or any other device capable of receiving and/or transmitting wireless communication. To effect such, a wireless communication device 15 is integrated within the case to transmit data to and possibly receive data from these external devices 16. Furthermore, wireless communication device 15 may be capable of exchanging data with meter 11 and/or drug delivery devices 12, 13. Wireless communication device 15 may transmit information through, for example, an RF signal (e.g., Bluetooth link).

[0034] In use, system 2 may be configured to operate according to any one or more of the protocols provided in the block diagram of Fig. 3. With respect to protocol 30 of Fig. 3, when a drug delivery device 12, 13 is removed or is moved a specified distance (step 32), from case 10, the detector or sensor 21 sends or transmits a signal to meter 11 indicating that the drug delivery device has been removed and, preferably, creating a time stamp record of the event. This in turn triggers meter 11 to turn on and to display a visual (via a display 22) and/or provide audio (via a microphone, not shown) prompt or query to the user (step 34). For example, the user may be queried or prompted to conduct a glucose measurement test or to enter drug delivery information. If the user conducts a glucose measurement test with meter 11, meter 11 prompts the user with a suggested dosage of insulin to be administered based on an algorithm, input from the Health Care Practitioner (HCP) and/or other parameters previously or presently entered into the meter by the user (step 36). The user may or may not dose himself/herself with drug delivery device 12 with the suggested dosage. The user may opt to administer a dosage other than the suggested dosage where the real-time circumstances are such that dictate such. Such a situation may arise, for example, where there is a change in the anticipated or typical intake of carbohydrates by the diabetic, e.g., during a meal, a patient finds himself eating an amount of carbohydrates greater or less than what he or she anticipated prior to the meal. At other times, the user may not elect to conduct a glucose measurement but may nonetheless administer a dosage of insulin. This is a likely scenario where the patient's blood glucose levels are fairly predictable at any given time, e.g., after a meal. If no glucose measurement test is conducted, meter 11 will query the user as to whether a dosage of insulin was administered, and if so, requests the user to enter and verify the drug dosage information (step 38). To facilitate entry of the dosing information, the system may be configured to initially display a preset digital readout, for example, 1 unit of insulin and the user may adjust that unit value, preferably, by up-down toggle keys on meter 11 or on the PDA. Once entered, meter 11 stores the dosing data into meter's memory. The dosing data may then be automatically transmitted or prompted to be transmitted by the user to an external device 16 by wireless communication device 15. Upon placement of drug delivery device 12, 13 back into case 10, meter 11 may be triggered to turn off.

[0035] As provided in protocol flowchart 40 of Fig. 3, system 2 and meter 11 may be configured to be turned on and off by a user activated switch (step 42) and to allow the user to conduct multiple functions (step 44), such as check available system memory, download data, algorithms or programs, send and input data, and customize or format the meter or PDA. As provided in protocol flowchart 50, meter 11 can also be configured to turn on by insertion of a test strip 18 into meter 11 (step 52)

which in turn triggers protocol steps (steps 54-64) similar to those provided by protocol flow chart 30.

[0036] Fig. 4 is a schematic representation of a glucose monitoring system of the present invention which includes an insulin pen 100, a pen cap 110, and a glucose meter 120. Both insulin pen 100 and pen cap 110 have a housing which may be made of a durable IM plastic that is resistant to wear and tear as well as a variety of common household cleaning agents (bleach and alcohol) and personal use chemicals (hand moisturizers). Insulin pen 100 includes an RF transceiver unit (hereinafter referred to as RF Tx/Rx unit 130), local microcontroller 140, power source 150 and event switch 160. Insulin pen cap 110 is adapted to either press fit or thread fit with insulin pen 100. Insulin pen cap 110 is positioned such that event switch 160 is actuated when insulin pen cap 110 is removed from insulin pen 100. Local microcontroller 140 may also include a memory element. In addition local microcontroller may control the radio, timing, power management, event storage and local electronics (i.e., event switch 160). Event switch 160 may be a mechanical switch that closes a circuit when activated. This activation occurs when either insulin pen cap 110 is removed from insulin pen 100. During this activation, an RF signal may be sent from insulin pen 100 to glucose meter 120. The activation of switch 160 may be recorded and stored by local microcontroller 140. There are numerous examples known to one skilled in the art of switches that can be activated by user actions (i.e. pressure release). Power source 150 supplies power to RF Tx/Rx unit 130, local microcontroller 140 and event switch 160. Power source 150 is electrically coupled to the various components via contacts that may or may not be integrated into insulin pen cap 110.

[0037] RF Tx/Rx 130 may include transceiver, for example a Chipcon CC1000 transceiver and a wire loop antenna which uses a frequency of 433 MHz FM band. An example of a suitable power supply 150 is a Silver Oxide RayOVac 357. A non-limiting example of event switch 160 may be Panasonic Pushbutton switch EVQ – PAC04M.

[0038] In an alternative embodiment which reduces electronic components of insulin pen 100, RF Tx/Rx unit 130 and local microcontroller 140 may be combined into a single package where the memory is used is an external EEPROM. Non-limiting examples which integrate RF Tx/Rx unit 130 and local microcontroller 140 include Texas Instrument Mixed Signal Processors (MSP) or Chipcon CC1010.

[0039] In another alternative embodiment which reduces power consumption by insulin pen 100, local microcontroller 140 and power source 150 may be replaced with a radio frequency identification tag (RFID). In order to communicate with the RFID, glucose meter 120 will need a sufficiently strong RF signal generating means to power the RFID. Still yet, insulin pen cap 110 may

be adapted to have an in situ power generator to replace power source 150. When insulin cap 110 is removed from insulin pen 100, the motion of this removal may be used to generate power for insulin pen 100.

[0040] Glucose meter 120 may also include an electronic logbook and a RF transceiver means (similar to RF Tx/Rx unit 130). In one embodiment, glucose meter 120 may be similar to the commercially available LifeScan One Touch[®] UltraSmart[®] Meter. Communication between glucose meter 120 and insulin pen 100 is accomplished via an RF protocol. Glucose meter 120 acts as the “master” and the electronic elements within insulin pen 100 act as a “slave”. Glucose meter 120 periodically prompts insulin pen 100 to determine whether an event, e.g., removal of the pen from the case or removal of the cap from the pen, has been recorded. If an event has been recorded by the slave, a message will be sent to glucose meter 120 indicating an event has occurred as – as well as the time of the event. Glucose meter 120 will record the event and may query the patient for further information and supply a notification.

[0041] In an embodiment of this invention, a user may remove insulin pen cap 110 from insulin pen 100. In doing so, a RF signal is sent from insulin pen 100 to glucose meter 120 indicating that the user is about to initiate an insulin injection. Glucose meter 120 may then indicate to the user on a LCD screen their most recent pre-prandial and post-prandial glucose level. Glucose meter 120 may prompt the user to insure that these values are correct and if not, glucose meter 120 may allow the user to adjust these values accordingly. In an embodiment of this invention, glucose meter 120 may perform a bolus calculation algorithm where a recommended level of insulin to be injected with insulin pen 100 is shown on the LCD of glucose meter 120. Depending on the situation, the user may inject the recommended insulin dose or inject a different amount. Glucose meter 120 may prompt the user to input the actual dose of insulin allowing for an inventory of insulin remaining in insulin pen 100 to be accessed. When insulin pen 100 is low in insulin (i.e., 10% remaining), glucose meter 120 may prompt the user to procure an additional insulin pen as needed. In another embodiment of this invention, glucose meter 120 may prompt the user to input other types of information after activating event switch 160 such as breakfast, lunch, dinner, snack, alcohol, carbohydrates, fats, calories, proteins, medication, pills, insulin, pump bolus, health notes, ketones, HBA1C, microalbumin, cholesterol, blood pressure, and exercise.

[0042] It is an advantage of this invention in that the user does not have to manually record the time at which insulin is injected with insulin pen 100. This simplifies the ability of the user to gather data more effectively to manage their disease. It is a further advantage of this invention in that actuating switch 160 sends a wireless signal to glucose meter 120 prompting the user to perform one several

steps that facilitate compliance with the user in regards to their diabetic therapies. Glucose meter 120 may seamlessly display the most recent and relevant glucose concentrations, prompt user for more updated glucose concentrations, recommend an insulin dosage based on recent glucose measurements, or prompt user to input other relevant data.

[0043] In an alternative embodiment to this invention, insulin pen 100 may be replaced with a “pill bottle” that contains medication (medication example -Glucotrol XL[®]). In such an embodiment, the “pill bottle” will include Tx/Rx unit 130, local microcontroller 140, power source 150, and event switch 160. In addition, insulin pen cap 110 must then be replaced with a pill bottle cap.

[0044] Also provided by the subject invention are kits for use in practicing the subject methods. The kits may further include software programs recorded on a CD-ROM or the like, which programs may be downloaded to the meter, PDA and/or an external data device for use with the systems. Finally, the kits may further include instructions for using the subject devices and systems. These instructions may be present on one or more of the packaging, label inserts or containers within the kits, or may be provided on a CD-ROM or the like.

[0045] The preceding merely illustrates the principles of the invention. It will be appreciated that those skilled in the art will be able to devise various arrangements which, although not explicitly described or shown herein, embody the principles of the invention and are included within its spirit and scope. Furthermore, all examples and conditional language recited herein are principally intended to aid the reader in understanding the principles of the invention and the concepts contributed by the inventors to furthering the art, and are to be construed as being without limitation to such specifically recited examples and conditions. Moreover, all statements herein reciting principles, aspects, and embodiments of the invention as well as specific examples thereof, are intended to encompass both structural and functional equivalents thereof. Additionally, it is intended that such equivalents include both currently known equivalents and equivalents developed in the future, i.e., any elements developed that perform the same function, regardless of structure. The scope of the present invention, therefore, is not intended to be limited to the exemplary embodiments shown and described herein. Rather, the scope and spirit of present invention is embodied by the appended claims

Claims

What is claimed is:

1. A drug delivery system comprising:
a drug delivery device;
a holder for the drug delivery device when the device is not in use;
a detector for detecting the presence of the drug delivery device within or close to the holder; and
at least one algorithm for querying and prompting a user of the drug delivery device, wherein the at least one algorithm is activated upon removal of the drug delivery device from the holder.
2. The system of claim 1, wherein the holder, the detector and the at least one algorithm are incorporated into a case for housing the system.
3. The system of claim 1, further comprising an analyte measurement meter.
4. The system of claim 3, wherein the at least one algorithm is stored in the analyte measurement meter, wherein the meter turns on upon removal of the drug delivery device from the holder.
5. The system of claim 1, further comprising means for communicating with a device for storing user information.
6. The system of claim 5, wherein the user information comprises drug dosing information.
7. The system of claim 5, means for communicating comprises wireless communication means.

8. The system of claim 1, wherein the detector is selected from the group consisting of a mechanical switch, a magnetic switch, a density switch, a capacitive switch, an electrical sensor and an optical sensor.

9. An insulin injection system comprising:
a meter adapted for the measurement of glucose concentration in a blood sample;
an insulin injector; and
a storage space for said insulin pen, the storage space including a detector adapted to activate an algorithm in the meter when the insulin injector is removed from or placed in the storage space.

10. The system of claim 9, further comprising a case configured for housing the meter and defining the storage space.

11. The system of claim 9, further comprising wireless communication means for transmitting and receiving data to and from an external device.

12. The system of claim 11, wherein the wireless communication means comprises RF signals.

13. A method of monitoring the use of a drug delivery device, the method comprising:
storing the drug delivery device when the device is not in use;
removing the drug delivery device from storage;
detecting the removal of the drug delivery device from storage; and
activating an algorithm wherein the user of the drug delivery device is queried for information regarding use of the drug delivery device.

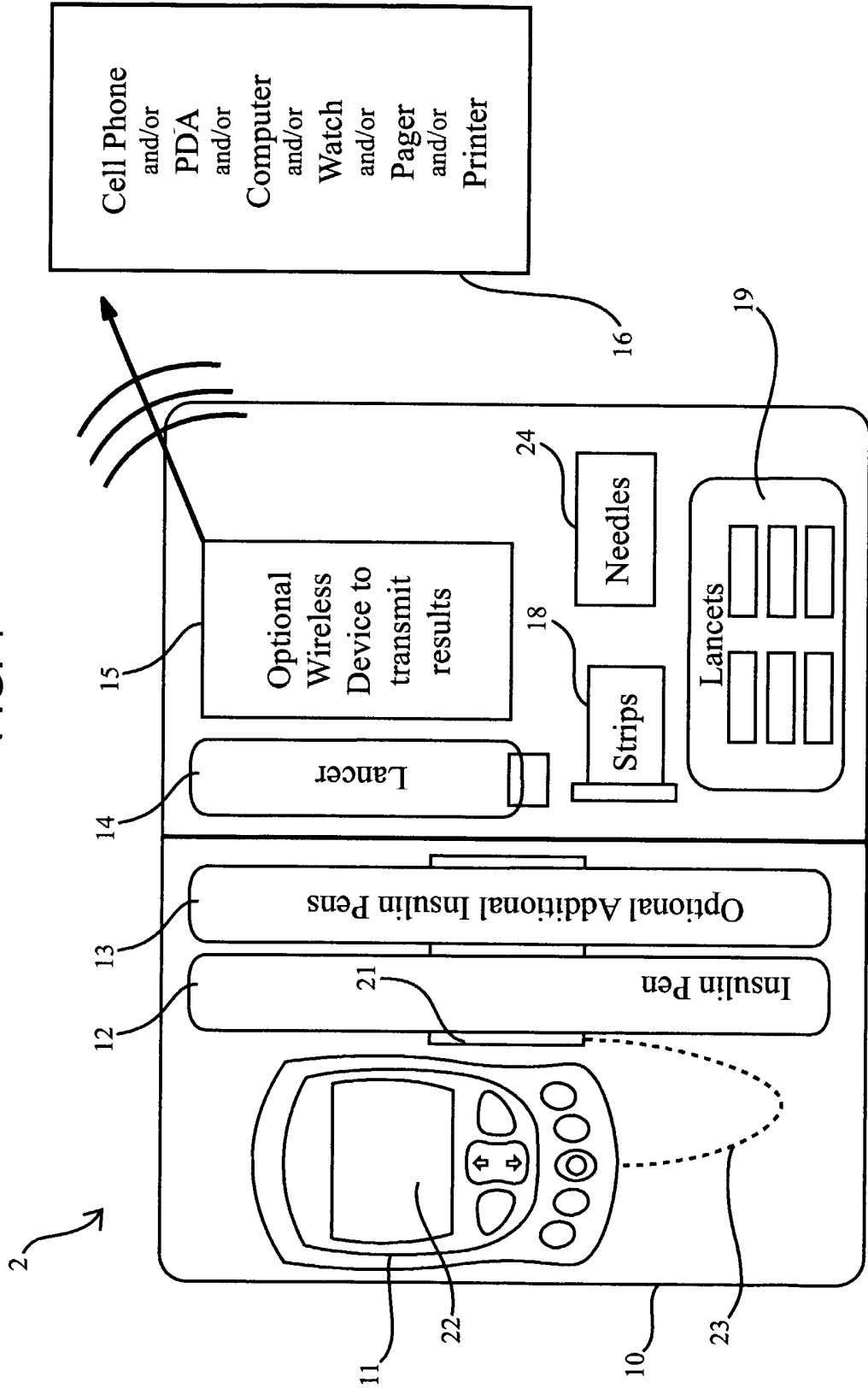
14. The method of claim 13, wherein the information comprises drug dosage information.

15. The method of claim 13, further comprising recording the time at which the drug delivery device is removed from storage.

16. The method of claim 13, further comprising transmitting the information to a data storage device.

17. An insulin injection kit comprising:
the system of claim 10;
a plurality of devices selected from the group consisting of lancers, lancets, needles and test strips; and
instructions for using the system.

FIG. 1



2 / 4

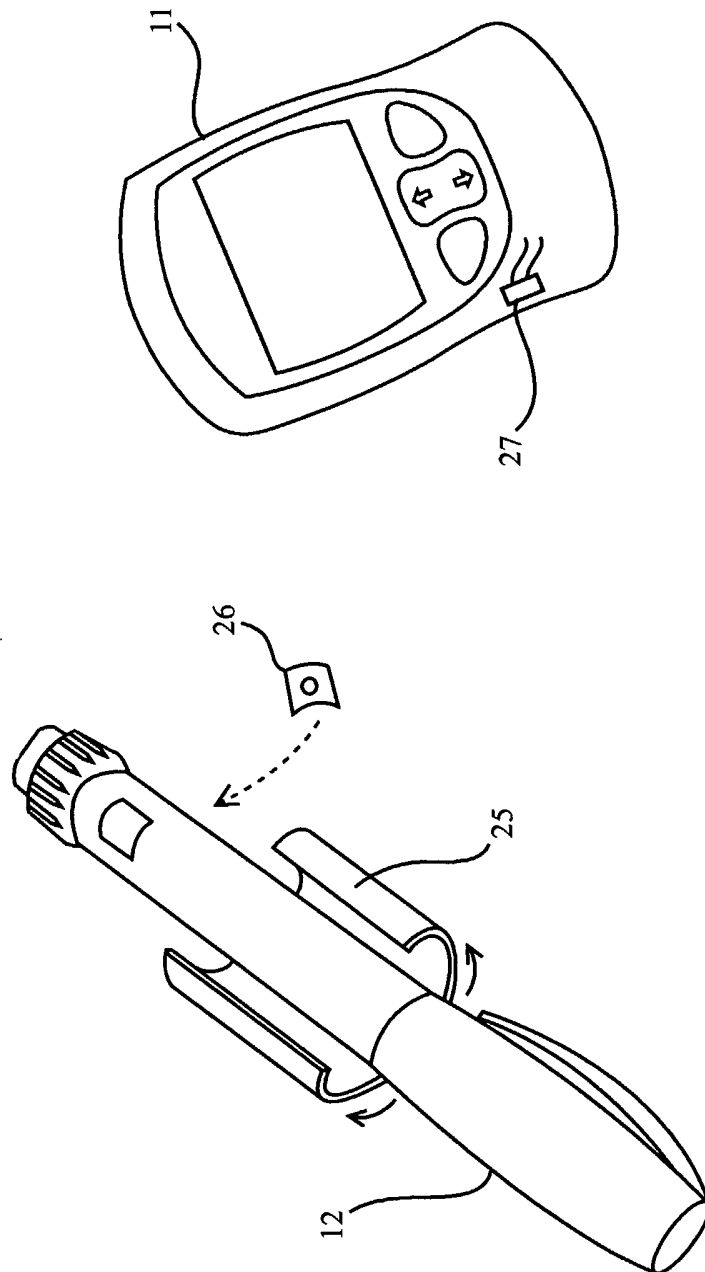


FIG. 2

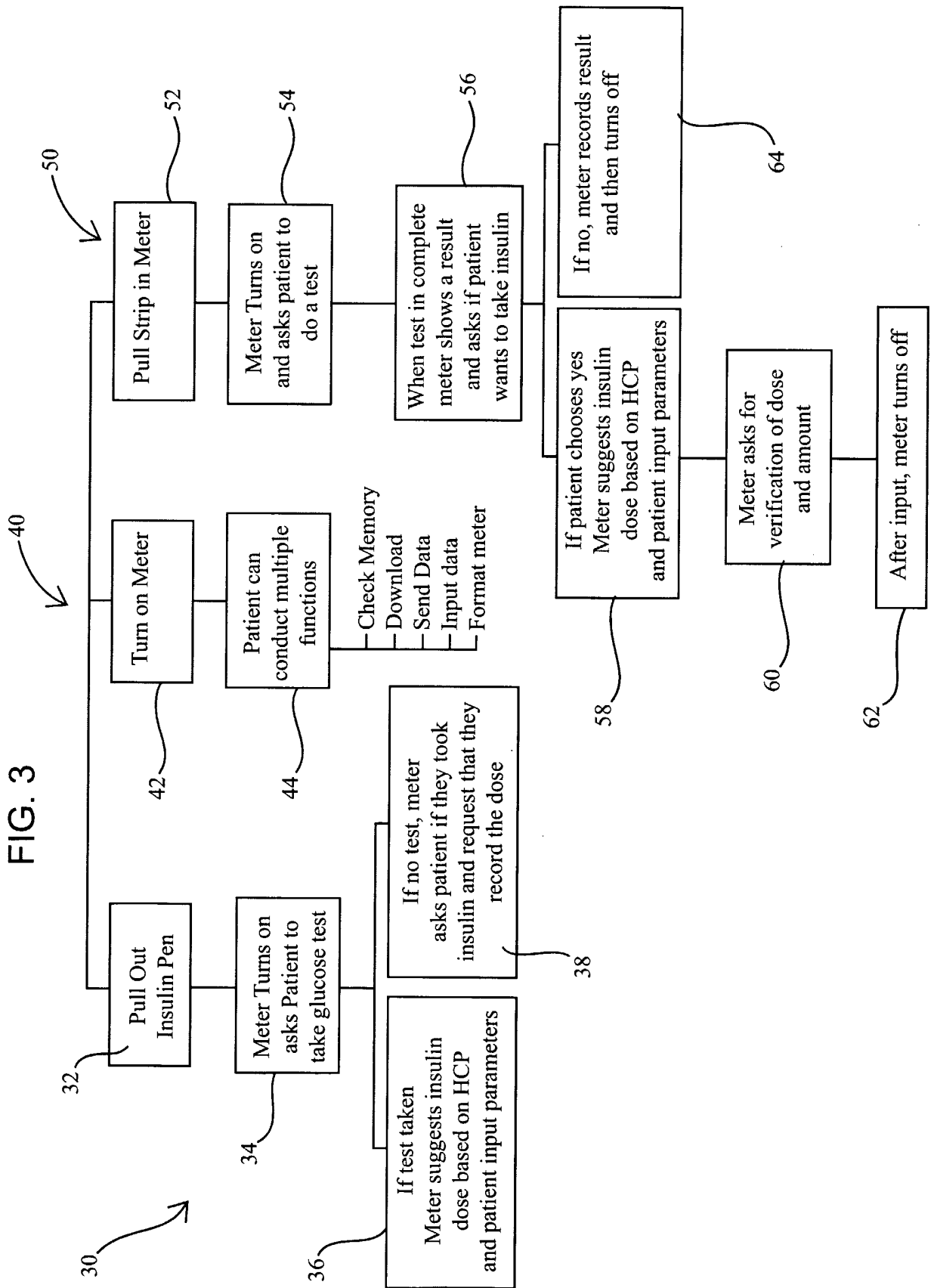


FIG. 4

