



US00D747888S

(12) **United States Design Patent**
Olson et al.

(10) **Patent No.:** **US D747,888 S**

(45) **Date of Patent:** **** Jan. 26, 2016**

(54) **DISPLAY BASE**

(71) Applicant: **3M INNOVATIVE PROPERTIES COMPANY**, St. Paul, MN (US)

(72) Inventors: **Judd D. Olson**, Deephaven, MN (US);
Thomas W. Floyd, St. Paul, MN (US);
Kevin E. Kinzer, Forest Lake, MN (US);
Stephan A. Hawthorne, St. Paul, MN (US);
Sandra K. Nowak, St. Paul, MN (US);
Irina Hass, Woodbury, MN (US);
Linda W. Suszko, Stillwater, MN (US)

(73) Assignee: **3M INNOVATIVE PROPERTIES COMPANY**, St. Paul, MN (US)

(**) Term: **14 Years**

(21) Appl. No.: **29/521,041**

(22) Filed: **Mar. 19, 2015**

(51) **LOC (10) Cl.** **06-07**

(52) **U.S. Cl.**

USPC **D6/300**

(58) **Field of Classification Search**

USPC D6/300-314, 553; D9/432, 433, 424,
D9/430, 414, 415, 418, 737, 740, 743-745,
D9/759, 760; D7/354, 553.3, 553.2;
248/467; D10/21, 24, 25; D11/131,
D11/132, 140; 428/900; 40/711, 730, 754,
40/746, 757, 461, 781, 597, 600;
D14/315-318, 341-344, 129, 130, 496,
D14/137
CPC A47G 1/06; A47G 1/142; A47G 1/0616;
A47G 1/0638; A47G 1/065; A47G 1/1686;
A47G 1/17; A47G 2001/0666; A47G
2001/0672; B65D 2543/00194; B65D
2543/00092; B65D 2543/00101; B65D
2543/00157; A21B 3/13; G09F 19/22; G09F
15/0018; G09F 13/0404; G06F 2200/1633

See application file for complete search history.

(56) **References Cited**

U.S. PATENT DOCUMENTS

1,610,423 A 12/1926 Cawley
3,620,403 A * 11/1971 Rump B65D 43/0212
206/551
3,620,411 A * 11/1971 Rump B65D 43/162
206/551

(Continued)

FOREIGN PATENT DOCUMENTS

WO WO 96/16580 6/1996

OTHER PUBLICATIONS

Bio&Chic Brown Cake Slice Box, available Oct. 6, 2014, [online],
[site visited Aug. 21, 2015]. Available from internet, <URL: <http://www.bioandchic.com/brown-cake-slice-box-with-window-6-6-inch-50-pcs-pack/#ProductReviews>.*

(Continued)

Primary Examiner — Cathron Brooks

Assistant Examiner — Teddy Falloway

(74) *Attorney, Agent, or Firm* — Irina Haas

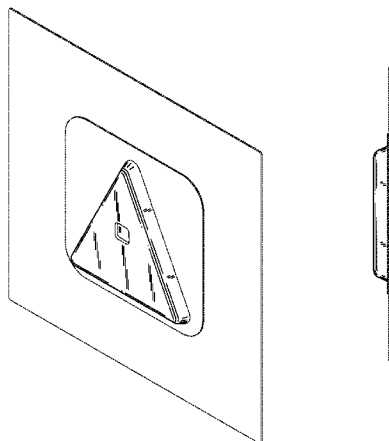
(57) **CLAIM**

The ornamental design for a display base, as shown and described.

DESCRIPTION

FIG. 1 is a perspective view showing the new design for a display base;
FIG. 2 is a front view thereof;
FIG. 3 is a rear view thereof;
FIG. 4 is a right side view thereof, a left side view being a mirror image thereof;
FIG. 5 is a bottom view thereof; and,
FIG. 6 is a top view thereof.
The portions of the display base in FIGS. 1-6 shown in broken lines are included to show features that form no part of the claimed design.

1 Claim, 4 Drawing Sheets



(56)

References Cited

U.S. PATENT DOCUMENTS

D234,294 S * 2/1975 Gorman D9/415
 3,885,336 A 5/1975 Olsen
 3,952,435 A 4/1976 Olsen
 3,979,846 A 9/1976 Euzarraga
 4,040,593 A 8/1977 Wiley
 D248,543 S * 7/1978 Strelcheck D9/415
 4,143,496 A 3/1979 Destito
 4,437,639 A 3/1984 Stein
 D275,371 S * 9/1984 Siegel D9/415
 4,561,200 A 12/1985 Hehn
 D282,825 S 3/1986 Kostios
 4,875,259 A 10/1989 Appeldorn
 4,892,284 A 1/1990 Kelrick
 4,900,604 A 2/1990 Martinez et al.
 4,979,323 A 12/1990 Wenkman et al.
 5,069,411 A 12/1991 Murphy
 5,075,991 A 12/1991 Wenkman et al.
 5,077,870 A 1/1992 Melbye
 5,133,526 A 7/1992 Olmsted
 5,201,101 A 4/1993 Rouser
 D335,940 S * 5/1993 McGrath D22/122
 5,256,231 A 10/1993 Gorman
 D340,810 S 11/1993 Wenkman
 5,342,014 A 8/1994 Wilson
 5,360,270 A 11/1994 Appeldorn
 5,523,129 A 6/1996 McGeehan-Hatch
 D377,451 S 1/1997 Gumowitz et al.
 5,616,394 A 4/1997 Gorman et al.
 D380,962 S 7/1997 Trigger
 D391,808 S * 3/1998 Voegel D7/538
 5,743,507 A 4/1998 Rushing
 5,845,375 A 12/1998 Miller et al.
 5,878,987 A 3/1999 Hayde
 5,931,439 A 8/1999 Lemire
 5,947,438 A 9/1999 Lemire
 D419,364 S * 1/2000 Jarvis 206/551
 6,032,915 A 3/2000 Brindisi
 D423,794 S * 5/2000 Brownfield D6/300
 D427,438 S * 7/2000 Dudek D6/300
 6,086,973 A 7/2000 Hazes
 D433,231 S * 11/2000 Kaplan D3/273
 D434,946 S * 12/2000 Jarvis D7/354
 6,241,210 B1 6/2001 Brindisi
 6,408,795 B1 6/2002 Goodger
 D460,350 S * 7/2002 Davis D9/499
 D463,741 S 10/2002 Green
 6,527,244 B1 3/2003 Kamenstein et al.
 D473,786 S * 4/2003 Chue D3/203.4
 D475,620 S 6/2003 Chen et al.
 6,666,425 B1 12/2003 Ferguson
 6,692,807 B2 2/2004 Bries
 D489,599 S 5/2004 Lam
 6,820,853 B1 11/2004 DuBarry
 6,832,445 B2 12/2004 Pitzzen
 6,972,141 B1 12/2005 Bries et al.
 D519,375 S 4/2006 Brooks
 D554,530 S * 11/2007 Tsutsumi D9/732
 7,303,805 B2 12/2007 Seth et al.
 D565,355 S * 4/2008 Bevacqua D7/550.1

D571,146 S 6/2008 Sanfilippo et al.
 D582,711 S * 12/2008 Quisenberry D6/553
 7,516,524 B2 4/2009 Provost et al.
 D616,738 S * 6/2010 Andre D9/430
 7,762,517 B1 7/2010 Leseman
 7,913,967 B1 3/2011 Aleo
 D640,227 S * 6/2011 Wada D14/149
 D653,557 S * 2/2012 Anton Villa D9/416
 8,397,411 B2 3/2013 Russo
 D683,192 S * 5/2013 Schwartz D7/629
 D688,745 S * 8/2013 Lyons D19/113
 D688,920 S * 9/2013 Manley D7/629
 D693,219 S * 11/2013 Limback D9/424
 D707,550 S * 6/2014 Limback D9/424
 D721,007 S * 1/2015 Dickinson D11/149
 2002/0107127 A1 * 8/2002 Buisson B65D 1/14
 493/80
 2002/0142155 A1 10/2002 Steinberg
 2004/0221540 A1 11/2004 Simons
 2005/0136214 A1 6/2005 Most
 2005/0269232 A1 12/2005 Eisenbraun
 2006/0214080 A1 9/2006 De Keratry
 2007/0065618 A1 3/2007 Fischer
 2007/0075211 A1 4/2007 Potter
 2009/0068632 A1 3/2009 Thompson
 2010/0096532 A1 4/2010 Grev
 2010/0108837 A1 5/2010 Felton
 2010/0116964 A1 5/2010 Aleo
 2011/0031153 A1 * 2/2011 Vovan B65D 1/34
 206/503
 2011/0042542 A1 2/2011 Russo et al.
 2011/0049325 A1 3/2011 Johnson et al.
 2011/0159234 A1 6/2011 Pai
 2011/0163215 A1 7/2011 Walters
 2012/0233898 A1 9/2012 Horne
 2013/0008013 A1 1/2013 Chang
 2014/0353455 A1 12/2014 Floyd

OTHER PUBLICATIONS

Vanderheyden, U.S. Appl. No. 29/484,172, filed Mar. 6, 2014, entitled "Decorative Display".
 Vanderheyden, U.S. Appl. No. 29/484,184, filed Mar. 6, 2014, entitled "Decorative Display Base".
 Vanderheyden, U.S. Appl. No. 29/484,169, filed Mar. 6, 2014, entitled "Decorative Display".
 Pan, U.S. Appl. No. 29/519,475, filed Mar. 5, 2015, entitled, "Decorative Display Riser".
 Olson, U.S. Appl. No. 29/520,978, filed Mar. 19, 2015, entitled, "Display Base".
 Olson, U.S. Appl. No. 29/520,985, filed Mar. 19, 2015, entitled, "Display Base".
 Olson, U.S. Appl. No. 29/520,989, filed Mar. 19, 2015, entitled, "Display Base".
 Olson, U.S. Appl. No. 29/520,995, filed Mar. 19, 2015, entitled, "Display Base".
 Olson, U.S. Appl. No. 29/521,021, filed Mar. 19, 2015, entitled, "Display Base".
 Olson, U.S. Appl. No. 29/521,058, filed Mar. 19, 2015, entitled, "Display Base".

* cited by examiner

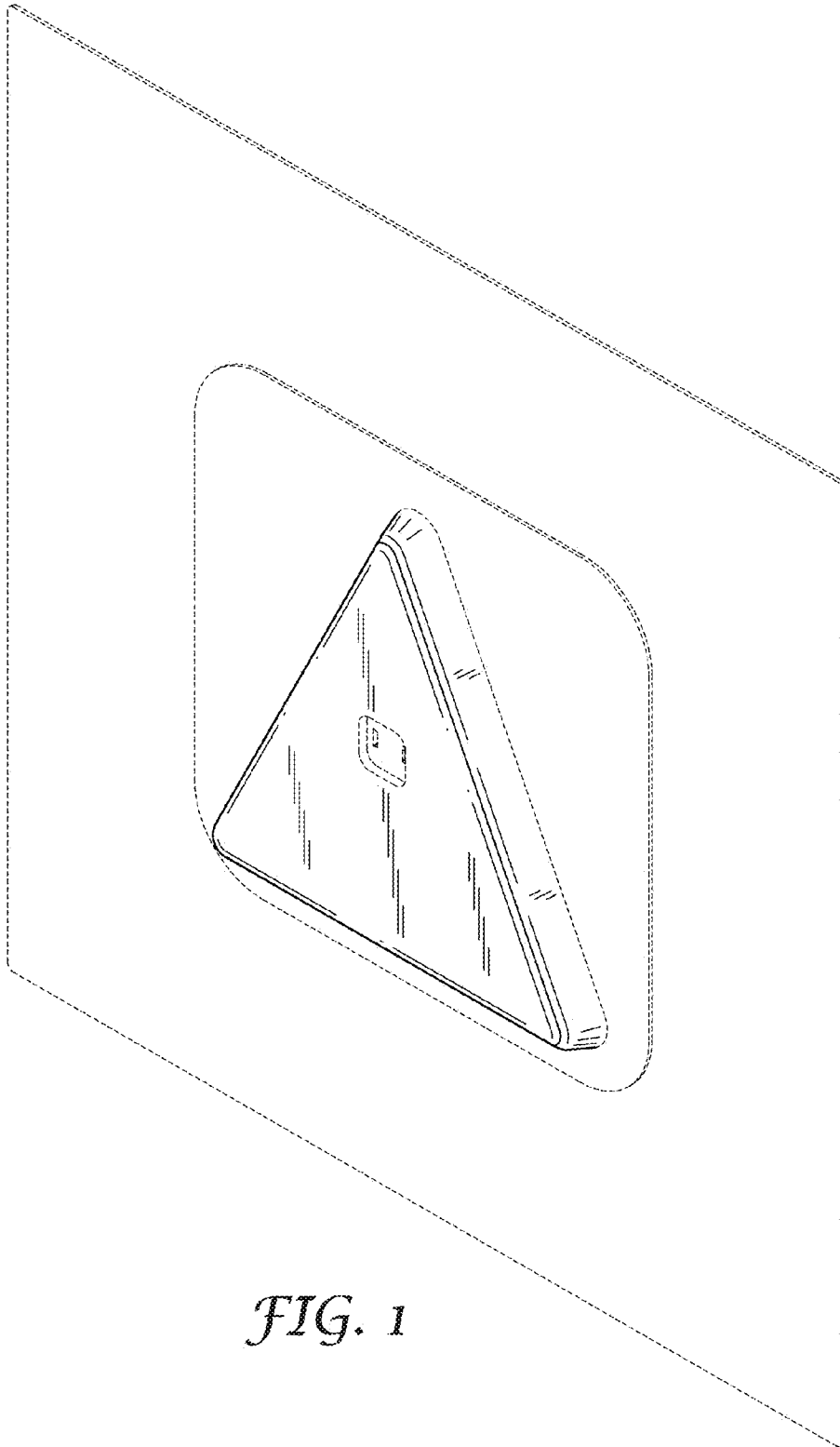


FIG. 1

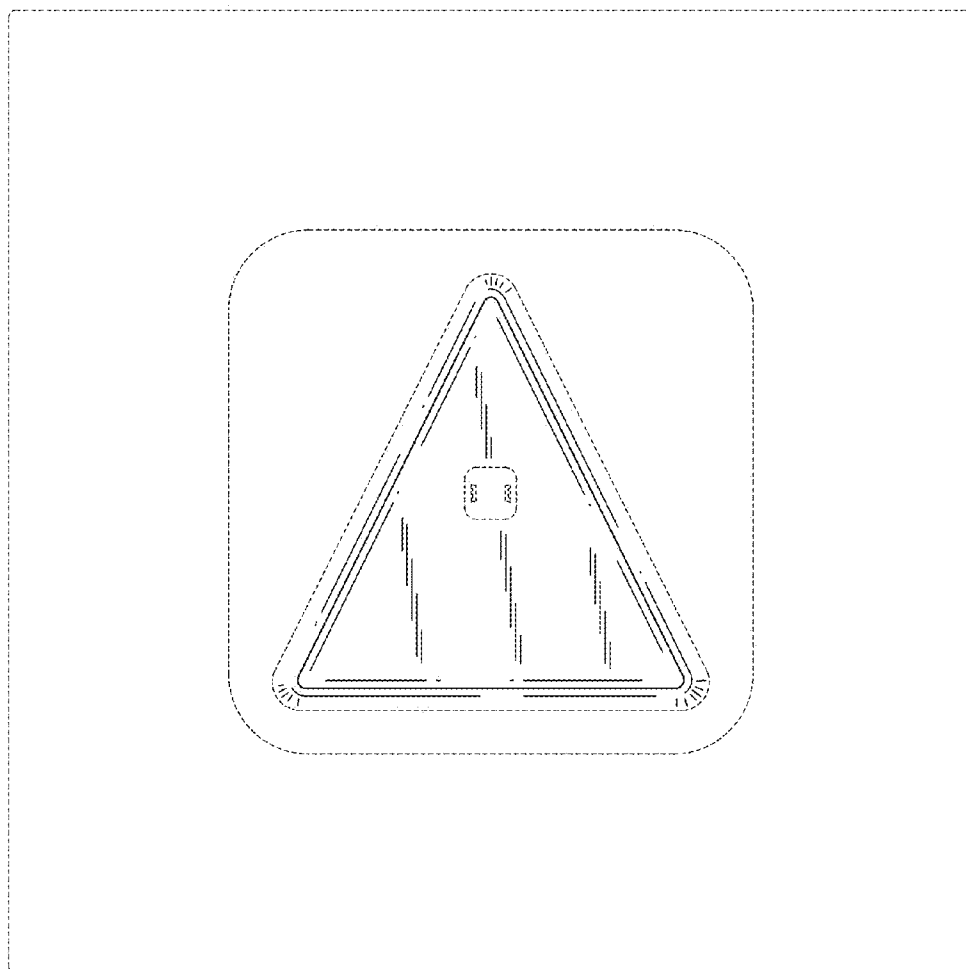


FIG. 2

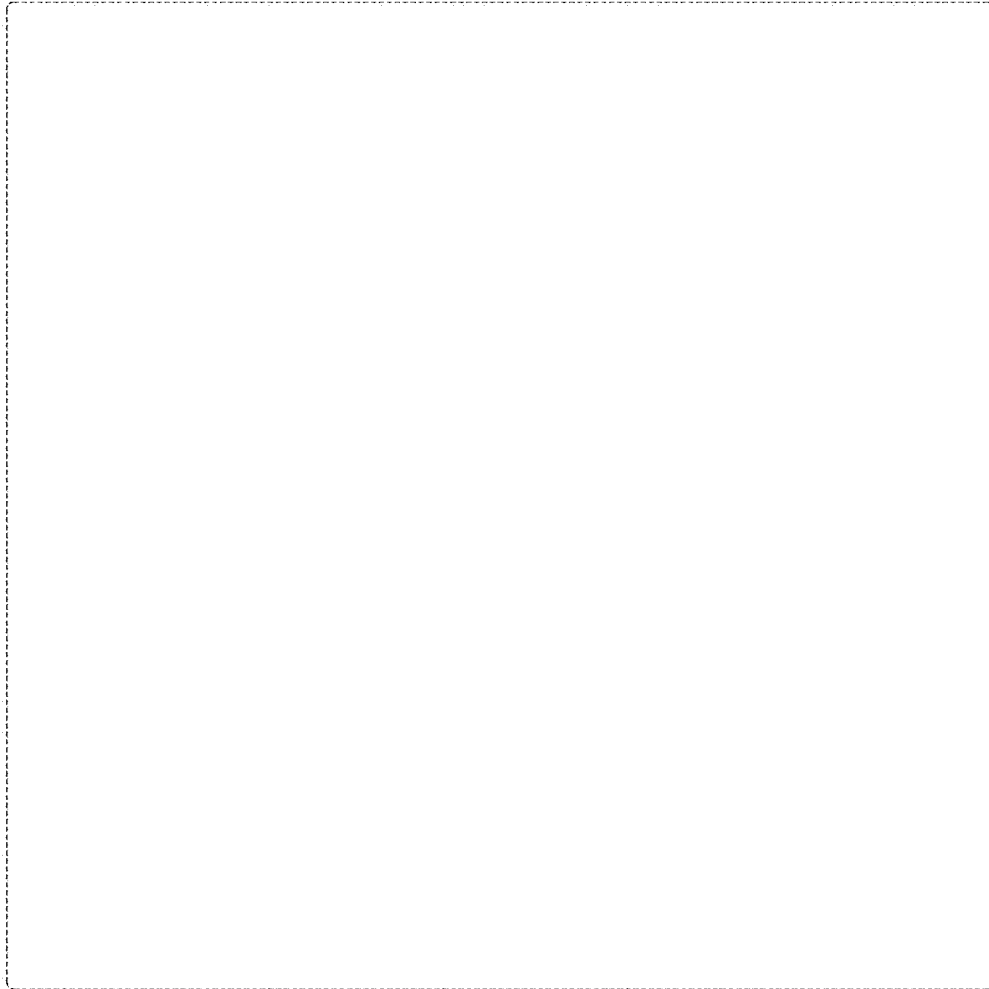


FIG. 3

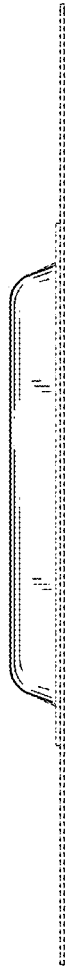


FIG. 4



FIG. 5

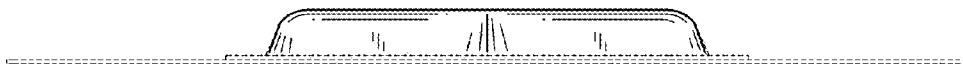


FIG. 6

UNITED STATES PATENT AND TRADEMARK OFFICE
CERTIFICATE OF CORRECTION

PATENT NO. : D747,888 S
APPLICATION NO. : 29/521041
DATED : January 26, 2016
INVENTOR(S) : Judd D. Olson et al.

Page 1 of 1

It is certified that error appears in the above-identified patent and that said Letters Patent is hereby corrected as shown below:

Page 2, Col. 2, (U.S. Patent Documents),

Line 25, delete "Grev" and insert -- Greve --, therefor.

Signed and Sealed this
Twenty-ninth Day of November, 2016



Michelle K. Lee
Director of the United States Patent and Trademark Office