



US00D964351S

(12) **United States Design Patent** (10) **Patent No.:** **US D964,351 S**  
**Akana et al.** (45) **Date of Patent:** **\*\* Sep. 20, 2022**

(54) **ELECTRONIC DEVICE**

(71) Applicant: **Apple Inc.**, Cupertino, CA (US)  
(72) Inventors: **Jody Akana**, San Francisco, CA (US);  
**Bartley K. Andre**, Palo Alto, CA (US);  
**Jeremy Bataillou**, San Francisco, CA (US);  
**Daniel J. Coster**, San Francisco, CA (US);  
**Daniele De Iulius**, San Francisco, CA (US);  
**M. Evans Hankey**, San Francisco, CA (US);  
**Julian Hoenig**, San Francisco, CA (US);  
**Richard P. Howarth**, San Francisco, CA (US);  
**Jonathan P. Ive**, San Francisco, CA (US);  
**Duncan Robert Kerr**, San Francisco, CA (US);  
**Shin Nishibori**, Kailua, HI (US);  
**Matthew Dean Rohrbach**, San Francisco, CA (US);  
**Peter Russell-Clarke**, San Francisco, CA (US);  
**Christopher J. Stringer**, Woodside, CA (US);  
**Eugene Antony Whang**, San Francisco, CA (US);  
**Rico Zörkendörfer**, San Francisco, CA (US)

(73) Assignee: **Apple Inc.**, Cupertino, CA (US)

(\*\*) Term: **15 Years**

(21) Appl. No.: **29/689,683**

(22) Filed: **May 1, 2019**

**Related U.S. Application Data**

(63) Continuation of application No. 29/586,519, filed on Dec. 5, 2016, now Pat. No. Des. 864,950, which is a continuation of application No. 29/493,571, filed on Jun. 11, 2014, now Pat. No. Des. 773,453, which is a continuation of application No. 29/423,180, filed on May 29, 2012, now Pat. No. Des. 707,223.

(51) **LOC (13) Cl.** ..... **14-02**

(52) **U.S. Cl.**  
USPC ..... **D14/341**

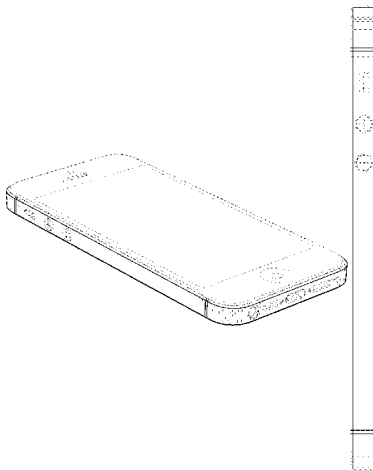
(58) **Field of Classification Search**

USPC ..... D14/138 AA, 138 AB, 138 AC, 138 AD,  
D14/138 C, 138 G, 203.1-203.8, 248,  
D14/315-318, 341-347, 371, 374, 496;  
D6/308, 310; D10/50, 65, 104.1;  
D18/6-7; D19/26, 59-60; D21/324,  
D21/329-330, 332  
CPC ... H04M 1/0202; H04M 1/0266; H04M 1/725  
See application file for complete search history.

(56) **References Cited**

**U.S. PATENT DOCUMENTS**

2,424,630 A	7/1947	Perez
D262,151 S	12/1981	Sussman
D265,326 S	7/1982	Sugiyama
D270,061 S	8/1983	Ackeret
D270,062 S	8/1983	Ackeret
D270,063 S	8/1983	Ackeret
D270,066 S	8/1983	Ackeret
D278,276 S	4/1985	Bakic
D284,084 S	6/1986	Ferrara, Jr.
D289,873 S	5/1987	Gemmell et al.
D300,831 S	4/1989	Jenkins et al.
D306,583 S	3/1990	Krolopp et al.
D308,055 S	5/1990	Tedham et al.
D317,609 S	6/1991	Wei
D321,215 S	10/1991	Shamis
D332,328 S	1/1993	Lombardi, Jr.
D333,574 S	3/1993	Ackeret
D337,322 S	7/1993	Tso
D337,569 S	7/1993	Kando
D340,701 S	10/1993	Takeuchi
D340,917 S	11/1993	Sakaguchi et al.
D345,346 S	3/1994	Alfonso et al.
D346,589 S	5/1994	Andros
D346,793 S	5/1994	Iino et al.
5,345,543 A	9/1994	Capps et al.
5,398,310 A	3/1995	Tchao et al.
D361,552 S	8/1995	Iino
5,463,725 A	10/1995	Henckel et al.
5,495,566 A	2/1996	Kwatinetz
D395,639 S	6/1998	Ham et al.
D396,215 S	7/1998	Inukai
D396,452 S	7/1998	Naruki
D408,372 S	4/1999	Ota et al.
D408,794 S	4/1999	Ogasawara
D409,185 S	5/1999	Kawashima
D410,440 S	6/1999	Carnell
D420,354 S	2/2000	Morales



# US D964,351 S

D424,535 S	5/2000	Peltola	D529,045 S	9/2006	Shin
D425,887 S	5/2000	Edwards et al.	D530,699 S	10/2006	Lee et al.
6,061,063 A	5/2000	Wagner et al.	D531,610 S	11/2006	Kim et al.
6,067,068 A	5/2000	Hussain	D532,766 S	11/2006	Lee
D444,465 S	7/2001	Do	D532,791 S	11/2006	Kim
D448,764 S	10/2001	Marsalka et al.	D533,531 S	12/2006	Hyun et al.
6,310,610 B1	10/2001	Beaton et al.	D534,143 S	12/2006	Lheem
D451,505 S	12/2001	Iseki et al.	D534,145 S	12/2006	Lheem
D452,687 S	1/2002	Yeh	D534,516 S	1/2007	Lheem
6,337,698 B1	1/2002	Keely, Jr. et al.	D534,517 S	1/2007	Cho et al.
D453,333 S	2/2002	Chen	D534,890 S	1/2007	Kim
D454,348 S	3/2002	Yeh	D535,281 S	1/2007	Yang
D455,433 S	4/2002	Alviar et al.	D536,329 S	2/2007	Lee
D456,023 S	4/2002	Andre et al.	D536,691 S	2/2007	Park
D456,805 S	5/2002	Ono et al.	D536,962 S	2/2007	Tanner
D458,252 S	6/2002	Palm et al.	D538,822 S	3/2007	Andre et al.
D461,175 S	8/2002	Yokota	D541,298 S	4/2007	Andre et al.
D461,802 S	8/2002	Tu	D541,299 S	4/2007	Andre et al.
D466,501 S	12/2002	Hirota	D541,785 S	5/2007	Hwang et al.
D467,890 S	12/2002	Lai et al.	D543,183 S	5/2007	Cho et al.
6,501,967 B1	12/2002	Makela et al.	D546,313 S	7/2007	Lheem
D469,413 S	1/2003	To et al.	D548,713 S	8/2007	Lee et al.
6,509,907 B1	1/2003	Kuwabara	D548,732 S	8/2007	Cebe et al.
D483,032 S	12/2003	Bertrand et al.	D548,747 S	8/2007	Andre et al.
D483,037 S	12/2003	Whitehorn et al.	D554,098 S	10/2007	Lee
D483,359 S	12/2003	Lin et al.	D556,211 S	11/2007	Howard
D484,471 S	12/2003	Lin et al.	D557,238 S	12/2007	Kim
D485,265 S	1/2004	Sato et al.	D557,239 S	12/2007	Lee
D486,149 S	2/2004	Kawami et al.	D557,259 S	12/2007	Hirsch
6,690,387 B2	2/2004	Zimmerman et al.	7,303,424 B2	12/2007	Tu et al.
D488,468 S	4/2004	Hu	D558,460 S	1/2008	Yu et al.
D488,469 S	4/2004	Batsikas	D558,716 S	1/2008	Bae et al.
D489,062 S	4/2004	Hong	D558,726 S	1/2008	Wang et al.
D489,731 S	5/2004	Huang	D558,756 S	1/2008	Andre et al.
D490,420 S	5/2004	Solomon et al.	D558,757 S	1/2008	Andre et al.
D490,810 S	6/2004	Huang	D558,758 S	1/2008	Andre et al.
D491,156 S	6/2004	Kawakami et al.	D558,792 S	1/2008	Chigira
D492,684 S	7/2004	Ozolins et al.	D559,220 S	1/2008	Lee et al.
D494,188 S	8/2004	Huang	D560,192 S	1/2008	Lee et al.
D495,695 S	9/2004	Yugaya	D560,227 S	1/2008	Bennett et al.
D496,645 S	9/2004	Yoo et al.	D560,231 S	1/2008	Lee
6,788,527 B2	9/2004	Doczy et al.	D560,683 S	1/2008	Lee
D497,364 S	10/2004	Ozolins et al.	D560,686 S	1/2008	Kim
D498,754 S	11/2004	Blyth	D561,153 S	2/2008	Hong et al.
D499,423 S	12/2004	Bahroocha et al.	D561,204 S	2/2008	Toh
D500,037 S	12/2004	Ozolins et al.	D561,782 S	2/2008	Kim
D502,173 S	2/2005	Jung et al.	D562,285 S	2/2008	Lim
D502,945 S	3/2005	Huang et al.	D563,432 S	3/2008	Kim
D503,699 S	4/2005	Lee et al.	D563,929 S	3/2008	Park
D504,889 S	5/2005	Andre et al.	D565,532 S	4/2008	Arnold
D505,950 S	6/2005	Summit et al.	D565,596 S	4/2008	Kim
D506,937 S *	7/2005	Lee ..... D10/65	D565,599 S	4/2008	Jang et al.
D507,003 S	7/2005	Pai et al.	D567,819 S	4/2008	Devericks et al.
D509,202 S	9/2005	Lee et al.	D568,285 S	5/2008	Lee et al.
D509,760 S	9/2005	Burrell et al.	D568,309 S	5/2008	Cebe et al.
D509,833 S	9/2005	Yang	D569,629 S	5/2008	Yu et al.
D510,929 S	10/2005	Laverick et al.	D569,830 S	5/2008	Kwak
D511,342 S	11/2005	Chien	D569,837 S	5/2008	Baik et al.
D511,347 S	11/2005	Naruki	D570,346 S	6/2008	Suk et al.
D513,617 S	1/2006	Tierney	D570,839 S	6/2008	Hofer et al.
D514,121 S	1/2006	Johnson	D572,694 S	7/2008	Park
D514,558 S	2/2006	Nagel et al.	D573,143 S	7/2008	Park et al.
D514,590 S	2/2006	Naruki	D574,015 S	7/2008	Masui
D519,116 S	4/2006	Tanaka et al.	D575,259 S	8/2008	Kim et al.
D519,523 S	4/2006	Chiu et al.	7,409,059 B2	8/2008	Fujisawa
D519,998 S	5/2006	Park	D577,371 S	9/2008	Hu et al.
D520,020 S	5/2006	Senda et al.	D579,902 S	11/2008	Kim et al.
D521,023 S	5/2006	Kim et al.	D579,905 S	11/2008	Kim et al.
7,042,712 B2	5/2006	Ghosh et al.	D579,930 S	11/2008	Maskatia
D524,809 S	7/2006	Alcouloumre et al.	D580,387 S	11/2008	Andre et al.
D525,226 S	7/2006	Jang	D581,384 S	11/2008	Kim et al.
D525,620 S	7/2006	Esslinger et al.	D581,922 S	12/2008	Andre et al.
D525,987 S	8/2006	Kim	D583,346 S	12/2008	Jung et al.
D526,301 S	8/2006	Shin	D583,796 S	12/2008	Tanaka
D526,302 S	8/2006	Kim	D584,738 S	1/2009	Kim et al.
D527,015 S	8/2006	Yang	D585,411 S	1/2009	Eaton
D527,366 S	8/2006	Lee	D586,800 S	2/2009	Andre et al.
D528,542 S	9/2006	Luminosu et al.	D587,267 S	2/2009	Wang
D528,561 S	9/2006	Ka-Wei et al.	D589,979 S	4/2009	Andre et al.

# US D964,351 S

D591,252 S	4/2009	Kim et al.	D654,049 S	2/2012	Chung	
D593,087 S	5/2009	Andre et al.	D654,460 S	2/2012	Kim et al.	
D594,833 S	6/2009	Park	D654,461 S	2/2012	Kim et al.	
D597,067 S	7/2009	Oh et al.	D654,463 S	2/2012	Han	
D598,887 S	8/2009	Xiao et al.	D654,889 S	2/2012	Kim et al.	
D600,241 S	9/2009	Andre et al.	D654,890 S	2/2012	Jung et al.	
D600,690 S	9/2009	Miyaji	D654,891 S	2/2012	Kim et al.	
D601,530 S	10/2009	Park et al.	D654,894 S	2/2012	Kim	
D601,558 S	10/2009	Andre et al.	D654,898 S	2/2012	Kim	
D601,583 S	10/2009	Andre et al.	D654,899 S	2/2012	Jung	
D602,014 S	10/2009	Andre et al.	D654,900 S	2/2012	Jung	
D602,015 S	10/2009	Andre et al.	D656,134 S	3/2012	Melville et al.	
D602,016 S	10/2009	Andre et al.	D660,809 S	* 5/2012	Kern Koskela	D13/168
D602,017 S	10/2009	Andre et al.	D669,071 S	10/2012	Akana et al.	
D602,486 S	10/2009	Andre et al.	D671,937 S	* 12/2012	Akana	D14/341
D602,488 S	10/2009	Jiang et al.	D672,343 S	* 12/2012	Akana	D14/341
D603,834 S	11/2009	Lyman et al.	D677,657 S	3/2013	Akana et al.	
D604,293 S	11/2009	Andre et al.	D678,262 S	3/2013	Prato	
D604,297 S	11/2009	Andre et al.	D688,660 S	* 8/2013	Akana	D14/341
D604,716 S	11/2009	Oh et al.	D689,480 S	* 9/2013	Akana	D14/341
D605,157 S	12/2009	Kim et al.	D690,693 S	* 10/2013	Akana	D14/341
D606,129 S	12/2009	Ben-Moshe	D691,133 S	* 10/2013	Akana	D14/341
D606,988 S	12/2009	Andre et al.	D692,878 S	* 11/2013	Akana	D14/341
D606,989 S	12/2009	Andre et al.	D706,776 S	* 6/2014	Akana	D14/341
D607,428 S	1/2010	Kim et al.	D707,223 S	* 6/2014	Akana	D14/341
D609,705 S	2/2010	Andre et al.	D710,843 S	* 8/2014	Akana	D14/341
7,658,675 B2	2/2010	Hotta	D712,405 S	* 9/2014	Akana	D14/341
7,660,560 B2	2/2010	Zuo et al.	D722,579 S	* 2/2015	Yagi	D14/126
7,688,574 B2	3/2010	Zadesky et al.	D732,539 S	* 6/2015	Akana	D14/439
D613,735 S	4/2010	Andre et al.	D743,391 S	* 11/2015	Akana	D14/341
D613,736 S	4/2010	Andre et al.	D747,310 S	* 1/2016	Akana	D14/341
D615,083 S	5/2010	Andre et al.	D748,091 S	* 1/2016	Akana	D14/341
D620,004 S	7/2010	Andre et al.	D748,621 S	* 2/2016	Akana	D14/341
D621,825 S	8/2010	Andre et al.	D749,563 S	* 2/2016	Akana	D14/341
D622,244 S	* 8/2010	Miyazawa	D752,037 S	* 3/2016	Akana	D14/341
D622,718 S	8/2010	Andre et al.	D753,101 S	* 4/2016	Akana	D14/341
D622,719 S	8/2010	Andre et al.	D754,125 S	* 4/2016	Akana	D14/341
D622,720 S	8/2010	Andre et al.	D760,217 S	* 6/2016	Akana	D14/341
D624,072 S	9/2010	Andre et al.	D763,253 S	* 8/2016	Akana	D14/341
D624,519 S	9/2010	Shen et al.	D771,623 S	* 11/2016	Akana	D14/341
D624,536 S	9/2010	Andre et al.	D772,865 S	* 11/2016	Akana	D14/341
D625,307 S	10/2010	Cheng	D773,453 S	* 12/2016	Akana	D14/341
D626,437 S	11/2010	Lee et al.	D778,905 S	* 2/2017	Akana	D14/341
D627,343 S	11/2010	Andre et al.	D779,484 S	* 2/2017	Akana	D14/341
D627,777 S	11/2010	Akana et al.	D789,927 S	* 6/2017	Akana	D14/341
D627,778 S	* 11/2010	Akana	D790,535 S	* 6/2017	Akana	D14/341
D629,799 S	12/2010	Andre et al.	D800,718 S	* 10/2017	Akana	D14/341
D630,630 S	1/2011	Andre et al.	D800,719 S	* 10/2017	Akana	D14/341
D633,090 S	2/2011	Andre et al.	D809,507 S	* 2/2018	Akana	D14/341
D633,091 S	2/2011	Andre et al.	D809,508 S	* 2/2018	Akana	D14/341
D633,092 S	2/2011	Andre et al.	D812,049 S	* 3/2018	Akana	D14/341
D633,493 S	* 3/2011	Akana	D827,634 S	* 9/2018	Akana	D14/341
D633,908 S	* 3/2011	Akana	D828,350 S	* 9/2018	Akana	D14/341
D634,319 S	3/2011	Andre et al.	D835,620 S	* 12/2018	Akana	D14/341
D634,742 S	3/2011	Andre et al.	D836,100 S	* 12/2018	Akana	D14/341
D635,540 S	4/2011	Kim et al.	D847,132 S	* 4/2019	Akana	D14/341
D635,952 S	4/2011	Park et al.	D859,398 S	* 9/2019	Akana	D14/341
D636,390 S	4/2011	Andre et al.	D861,630 S	* 10/2019	Chiang	D14/138 G
D636,392 S	* 4/2011	Akana	D864,949 S	* 10/2019	Akana	D14/341
D636,769 S	4/2011	Wood et al.	D864,950 S	* 10/2019	Akana	D14/341
D637,596 S	5/2011	Akana et al.	D868,058 S	* 11/2019	Akana	D14/341
D638,815 S	5/2011	Lee et al.	D868,774 S	* 12/2019	Akana	D14/341
D638,835 S	* 5/2011	Akana	D870,099 S	* 12/2019	Akana	D14/341
D642,563 S	8/2011	Akana et al.	D894,885 S	* 9/2020	Park	D14/248
D644,218 S	8/2011	Akana et al.	D908,671 S	* 1/2021	Zhang	D14/248
D645,017 S	9/2011	Kim et al.	D933,626 S	* 10/2021	Zhu	D14/138 G
D645,435 S	9/2011	Kim et al.	2003/0125079 A1	7/2003	Park et al.	
D645,835 S	9/2011	Lee et al.	2003/0125094 A1	7/2003	Hyun et al.	
D646,249 S	10/2011	Kim et al.	2003/0125959 A1	7/2003	Palmquist	
D646,252 S	10/2011	Kim et al.	2003/0184525 A1	10/2003	Tsai	
D648,693 S	11/2011	Kim et al.	2003/0206202 A1	11/2003	Moriya	
D651,189 S	12/2011	Tsai et al.	2004/0021676 A1	2/2004	Chen et al.	
8,081,886 B2	12/2011	Okano	2004/0041504 A1	3/2004	Ozolins et al.	
D652,812 S	1/2012	Kim	2004/0132499 A1	7/2004	Abe	
D652,813 S	1/2012	Song et al.	2004/0155888 A1	8/2004	Padgitt et al.	
D653,230 S	1/2012	Kim et al.	2004/0166907 A1	8/2004	Yajima	
D653,642 S	2/2012	Han	2004/0223004 A1	11/2004	Lincke et al.	
D653,645 S	2/2012	Park	2004/0242288 A1	12/2004	Balle et al.	
D654,041 S	2/2012	Jung et al.	2004/0257334 A1	12/2004	Yajima	

# US D964,351 S

2005/0009556	A1	1/2005	Hickey et al.	EM	RCD	8/2007
2005/0012723	A1	1/2005	Pallakoff		000748280-0001	
2005/0014538	A1	1/2005	Hyun et al.	EM	RCD	8/2007
2005/0041385	A1	2/2005	Kikinis et al.		000748280-0004	
2005/0059438	A1	3/2005	Jellicoe	EM	RCD	8/2007
2005/0088418	A1	4/2005	Nguyen		000748280-0006	
2005/0127158	A1	6/2005	Figueras et al.	EM	RCD	8/2007
2005/0130715	A1	6/2005	Fujisawa		000748322-0001	
2005/0195154	A1	9/2005	Robbins et al.	EM	RCD	8/2007
2005/0255897	A1	11/2005	Lee et al.		000767959-0001	
2006/0025184	A1	2/2006	Cho et al.	EM	RCD	10/2007
2006/0025218	A1	2/2006	Hotta		000748314-0001	
2006/0094464	A1	5/2006	Kyou et al.	EM	RCD	10/2007
2006/0111158	A1	5/2006	Hou		000784780-0001	
2006/0111161	A1	5/2006	Cha et al.	EM	RCD	3/2008
2006/0121852	A1	6/2006	Kim et al.		000874466-0012	
2006/0142073	A1	6/2006	Gordecki	EM	RCD	4/2008
2006/0166713	A1	7/2006	Yeh et al.		000910591-0001	
2006/0281501	A1	12/2006	Zuo et al.	EM	RCD	5/2008
2007/0082718	A1	4/2007	Yoon et al.		000888920-0001	
2008/0004083	A1	1/2008	Ohki et al.	EM	RCD	5/2008
2008/0004085	A1	1/2008	Jung et al.		000888920-0018	
2009/0247244	A1	10/2009	Mittleman et al.	EM	RCD	6/2008
2010/0060563	A1	3/2010	Hayton et al.		000938071-0001	
2010/0105452	A1	4/2010	Shin et al.	EM	RCD	6/2008
2012/0018325	A1*	1/2012	Kim .....		000939731-0001	
			A45C 11/00	EM	RCD	8/2008
			206/320			
2014/0139978	A1*	5/2014	Kwong .....		000977822-0006	
			C30B 29/20	EM	RCD	1/2009
			361/679.01			
2014/0253284	A1*	9/2014	Peterson .....		001016802-0001	
			H04M 1/185	EM	RCD	4/2009
			340/3.1			

## FOREIGN PATENT DOCUMENTS

AU	315078	7/2007		EM	RCD	1/2010
CA	72548	5/1993			001183461-0002	
CA	101263	1/2004		EM	RCD	2/2010
CN	30-0721986	12/2007			001668781-0001	
CN	300721990	12/2007		EM	RCD	4/2010
CN	300732852	1/2008			001694712-0001	
CN	300732857	1/2008		EM	001248595-0007	* 5/2011
CN	300781645	5/2008		EM	001908534-0001	A1 9/2011
CN	300881212	2/2009		ES	D0505712-01	4/2008
CN	300912552	4/2009		FI	4897	7/1980
CN	300912572	4/2009		FR	990052-001	5/1999
CN	302902158	* 8/2014		GB	1042780	12/1986
EM	RCD	8/2003		GB	2030050	7/1993
	000048061-0001			GB	2033245	8/1993
EM	RCD	11/2003		GB	2062780	4/1997
	000046198-0001			GB	3010002	2/2003
EM	RCD	2/2005		GB	3012502	6/2003
	000257621-0004			GB	3014024	10/2003
EM	RCD	5/2005		GB	3022447	10/2005
	000317490-0001			IL	50031	* 8/2012
EM	RCD	9/2005		JP	61-69284	4/1986
	000375191-0001			JP	64-9317	1/1989
EM	RCD	5/2006		JP	000921403	3/1995
	000493721-0002			JP	001009317	5/1998
EM	RCD	9/2006		JP	2000-163031	6/2000
	000569157-0005			JP	D1104685	3/2001
EM	RCD	9/2006		JP	D1124750	10/2001
	000569157-0007			JP	D1142127	5/2002
EM	RCD	10/2006		JP	D1159881	12/2002
	000590831-0001			JP	D1178470	7/2003
EM	RCD	10/2006		JP	D1188041	10/2003
	000590831-0003			JP	D1204221	5/2004
EM	RCD	12/2006		JP	2004-290256	10/2004
	000614565-0001			JP	D1235888	4/2005
EM	RCD	1/2007		JP	D1241383	6/2005
	000632070-0007			JP	D1241638	6/2005
EM	RCD	3/2007		JP	D1247215	8/2005
	000666789-0001			JP	D1250487	9/2005
EM	RCD	6/2007		JP	D1263649	2/2006
	000718770-0007			JP	D1280315	9/2006
EM	RCD	8/2007		JP	D1285057	10/2006
	000748256-0003			JP	D1295003	2/2007
				JP	D1302929	6/2007

KR	30-0304213	8/2002	iPhone 5S vs iPhone 5, 2013, [retrieved May 3, 2022], Retrieved from Internet, URL: < <a href="https://www.iphoneitalia.com/496280/iphone-5s-vs-iphone-5-simili-ma-diversi-design">https://www.iphoneitalia.com/496280/iphone-5s-vs-iphone-5-simili-ma-diversi-design</a> > (Year: 2013).*
KR	30-0327126	6/2003	Is This the iPhone 5?, Mar. 11, 2011, [retrieved May 3, 2022], Retrieved from Internet, URL: < <a href="https://www.fastcompany.com/1737641/iphone-5">https://www.fastcompany.com/1737641/iphone-5</a> > (Year: 2011).*
KR	30-0359572	8/2004	New iPhone 5 Leaked, May 29, 2012, [retrieved May 3, 2022], Retrieved from Internet, URL: < <a href="https://www.youtube.com/watch?v=olwdlHhGUA">https://www.youtube.com/watch?v=olwdlHhGUA</a> > (Year: 2012).*
KR	30-0360712	9/2004	iPhone 4 unveiled, Jun. 7, 2010, [retrieved May 3, 2022], Retrieved from Internet, URL: < <a href="https://www.youtube.com/watch?v=wn3OC1cE8ds">https://www.youtube.com/watch?v=wn3OC1cE8ds</a> > (Year: 2010).*
KR	30-0364027	10/2004	iPhone 4S Review, Oct. 11, 2011, [retrieved May 3, 2022], Retrieved from Internet, URL: < <a href="https://www.theverge.com/apple/2011/10/12/2484524/iphone-4s-review">https://www.theverge.com/apple/2011/10/12/2484524/iphone-4s-review</a> > (Year: 2011).*
KR	30-0364845	10/2004	"A Day in the Life of InfoLink." Stanford University Libraries, published May 1, 2003.
KR	30-0367347	11/2004	"The Oracle: The Personal Computer of the Year 2000," Stanford University Libraries.
KR	30-0367787	11/2004	"The Organizer: The Personal Computer of the Year 2000," Stanford University Libraries.
KR	30-0370833	1/2005	"Toshiba Dynapad T100X Pen Computer," product available in 1993, 2 pages.
KR	30-0376524	3/2005	ABDI, "Five 1 GB Flash MP3 Players," Tomsguide.com, ( <a href="http://www.tomsguidc.com/us/fivc-lgb-flash-mp3-players,review-722-3.html">http://www.tomsguidc.com/us/fivc-lgb-flash-mp3-players,review-722-3.html</a> ), published May 30, 2006, 4 pages.
KR	30-0387059-3	7/2005	Aliexpress.com, "WACOM PL-500 15" LCD Tablet Mint." ( <a href="http://www.aliexpress.com/product-fm/430172068-WACOM-PL-500-15-LCD-Tablet-Mint-Worldwide-Free-Shipping-wholesalers.html">http://www.aliexpress.com/product-fm/430172068-WACOM-PL-500-15-LCD-Tablet-Mint-Worldwide-Free-Shipping-wholesalers.html</a> ), accessed Nov. 14, 2011, 3 pages.
KR	30-0387130	7/2005	Amazon, "Developing Tablet PC Applications—(Charles River Media Programming)," ( <a href="http://www.amazon.co.uk/Developing-Tablet-Applications-Charles-Programming/dp/1584502525">http://www.amazon.co.uk/Developing-Tablet-Applications-Charles-Programming/dp/1584502525</a> ), retrieved Jul. 20, 2011, 4 pages.
KR	30-0387648	7/2005	Amazon.com, "Digitalway MPIO FL100 128 MB MP3 Player" ( <a href="http://www.amazon.com/Digitalway-MPIO-FL100-128-Player/dp/B00008V6NI">http://www.amazon.com/Digitalway-MPIO-FL100-128-Player/dp/B00008V6NI</a> ), accessed Nov. 17, 2011, 7 pages.
KR	30-0396917	11/2005	Amazon.com, "Whirlpool Gold : GH7208XRS 2.0 cu. ft. Velos Speedcook Over the Range Microwave Oven," ( <a href="http://www.amazon.com/Whirlpool-Gold-GH7208XRS-Speedcook-Microwave/dp/B000ZIPH8M">http://www.amazon.com/Whirlpool-Gold-GH7208XRS-Speedcook-Microwave/dp/B000ZIPH8M</a> ), accessed May 23, 2012, 5 pages.
KR	30-0398307	11/2005	AndroidTabletFanatic.com "16 Old-Skool Tablets Rocking it Before the iPad," ( <a href="http://www.androidtabletfanatic.com/android-tablet-news/16-old-skool-tablets-rocking-it-before-the-ipad/">http://www.androidtabletfanatic.com/android-tablet-news/16-old-skool-tablets-rocking-it-before-the-ipad/</a> ), published May 16, 2011, 10 pages.
KR	30-0394921-1	12/2005	Apple Inc., "Apple Introduces the U2 iPod," ( <a href="http://www.apple.com/pr/library/2004/10/26Apple-Introduces-the-U2-iPod.html">http://www.apple.com/pr/library/2004/10/26Apple-Introduces-the-U2-iPod.html</a> ), published Oct. 26, 2004, 2 pages.
KR	30-0418422-1	7/2006	Association for Computing Machinery, The Open Video Project, "ACM CHI 1995—The Tablet Newspaper: A vision for the Future," ( <a href="http://www.open-video.org/details.php?videoid=8315&amp;surrogate=storyboard">http://www.open-video.org/details.php?videoid=8315&amp;surrogate=storyboard</a> ), 3 pages (1994).
KR	30-0418547	7/2006	Aumente, J., American Journalism Review, "Panel Vision," ( <a href="http://www.ajr.org/Article.asp?id=1257">http://www.ajr.org/Article.asp?id=1257</a> ), published Oct. 1994, 7 pages.
KR	30-0420200	7/2006	Blandford, "Nokia N92 Preview." ( <a href="http://www.allaboutsymbian.com/features/item/Nokia_N92_Preview.php">http://www.allaboutsymbian.com/features/item/Nokia_N92_Preview.php</a> ). published Nov. 23, 2005, 10 pages.
KR	30-0422221	8/2006	Blickenstorfer, C., PenComputing Magazine, "Tablet PCs: HP Compaq Tablet PC TC1000." ( <a href="http://pencomputing.com/frames/tpc_compaq.html">http://pencomputing.com/frames/tpc_compaq.html</a> ), 3 pages (Dec. 2002).
KR	30-0424148	9/2006	Blickenstorfer, C., PenComputing Magazine, "Tablet PCs: Motion Computing M1200," ( <a href="http://pencomputing.com/frames/tpc_motion1200.html">http://pencomputing.com/frames/tpc_motion1200.html</a> ), 3 pages (Dec. 2002).
KR	30-441230	2/2007	Blickenstorfer, C., PenComputing Magazine, "Tablet PCs: ViewSonic V1100," ( <a href="http://pencomputing.com/frames/tpc_viewsonic.html">http://pencomputing.com/frames/tpc_viewsonic.html</a> ), 3 pages (Dec. 2002).
KR	30-0441230-1	2/2007	Block, "Olympus @ CES Hands-on with the m:robe MR-500i and MR-100," Engadget.com, ( <a href="http://www.engadget.com/2005/01/10/olympus-ces-hands-on-with-the-m-robe-mr-500i-and-mr-100">http://www.engadget.com/2005/01/10/olympus-ces-hands-on-with-the-m-robe-mr-500i-and-mr-100</a> ), published Jan. 10, 2005, 3 pages.
KR	30-0452432	6/2007	Cell Phones.About.com, "More pictures of the LG KG800," ( <a href="http://cellphones.about.com/library/b1-pi-lg_kg800.htm">http://cellphones.about.com/library/b1-pi-lg_kg800.htm</a> ), accessed Feb. 13, 2012, 1 page.
KR	30-0454592	7/2007	
KR	30-0441230-2	8/2007	
KR	30-0441230-3	8/2007	
KR	30-0452985-2	8/2007	
KR	30-0467088	10/2007	
KR	30-0474260	12/2007	
KR	30-0529167	5/2009	
KR	30-0533504	7/2009	
KR	30-0546031	11/2009	
KR	30-0550428	1/2010	
KR	30-0553546	2/2010	
RU	71776 S	8/2009	
RU	78149 S	4/2011	
RU	00079639	* 9/2011	
SE	55044	10/1993	
TW	D106137	8/2005	
TW	D123283	6/2008	
TW	D126454	12/2008	
TW	D126838	1/2009	
TW	D126996	4/2009	
TW	D126997	4/2009	
TW	D129176	6/2009	
TW	D131556	10/2009	
TW	D132490	12/2009	
TW	D139493	3/2011	
TW	D147938 S	7/2012	
TW	159843-0001	* 4/2014	
TW	161465-0001	* 7/2014	
TW	162109-0001	* 8/2014	
TW	171051-0001	* 10/2015	
TW	171937-0001	* 11/2015	
TW	172433-0001	* 12/2015	
TW	173503-0001	* 2/2016	
TW	176838-0001	* 7/2016	
TW	179485-0001	* 11/2016	
TW	181290-0001	* 2/2017	
WO	WO 2000/074240	7/2000	
WO	WO 01/88679 A2	11/2001	
WO	WO 2004/023272	3/2004	

## OTHER PUBLICATIONS

iPhone 5—Putting the Rumors and Leaks To The Test, Jun. 1, 2012, [retrieved May 3, 2022], Retrieved from Internet, URL: <<https://www.technobuffalo.com/iphone-5-putting-the-leaks-and-rumors-to-the-test>> (Year: 2012).\*

iPhone 5 Pictures And Parts Leaked, Jul. 29, 2012, [retrieved May 3, 2022], Retrieved from Internet, URL: <<https://www.slashgear.com/iphone-5-pictures-and-parts-leaked-29240691>> (Year: 2012).\*

iPhone 5 with larger display, Mar. 10, 2011, [retrieved May 3, 2022], Retrieved from Internet, URL: <<https://9to5mac.com/2011/03/10/iphone-5-with-larger-display-iphone-4-design-edge-to-edge-screen-leaked-in-engineering-images/>> (Year: 2011).\*

- Chi-Athenaeum, "Good Design 2003, An International Industrial and Graphic Design Competition," (<http://www.chi-athenaeum.org/gdcsign/winnrcs03.htm>), retrieved Sep. 23, 2011, 7 pages.
- Chip Online, "VIA: Zwitter-PC für Schöngesteir," ([http://www.chip.de/news/VIA-Zwitter-PC-fuer-Schoengeister\\_34204096.html](http://www.chip.de/news/VIA-Zwitter-PC-fuer-Schoengeister_34204096.html)), Published May 8, 2002, 2 pages.
- Clarke, "Newspad by Authur C. Clarke from 2001: A Space Odyssey," (<http://www.technovelgy.com/ct/content.asp?Bnum=529>), published 1968, 3 pages.
- Computex.biz, "Tatung TabletPC," ([http://www.computex.biz/tatung/Default.aspx?pagetype=ProductDetail&pdt\\_id=36&cid=3...](http://www.computex.biz/tatung/Default.aspx?pagetype=ProductDetail&pdt_id=36&cid=3...)), accessed Nov. 4, 2011, 3 pages.
- Computing History, "GRiDpad 1910," (<http://computinghistory.org.uk/det/6565/GRiDpad-1910>), retrieved Sep. 12, 2011, 2 pages.
- dcinside.com, "iHolic HTV-200" (<http://dica.dcinside.com/review.php?pid=7192>), retrieved Sep. 22, 2011, 16 pages.
- Dial-a-Phone.co.uk, "Samsung F700 beats the iPhone!" (<http://blog.dialaphone.co.uk/2007/02/16/samsung-f700-beats-the-iphone/>), published Feb. 16, 2007, 38 pages.
- DigiBarn Systems, "GRiDpad Pen Computer," (<http://www.digibarn.com/collections/systems/gridpad/index.html>), retrieved Sep. 23, 2011, 2 pages.
- EdibleApple, "The first Apple Tablet . . . from 1979," (<http://www.edibleapple.com/the-first-apple-tablet-from-1979/>), published Nov. 23, 2009, 8 pages.
- eFashion Magazine, vol. 119, p. 45, China (Jun. 1, 2005).
- eFashion Magazine, vol. 12, p. 60, China (2004).
- eFashion Magazine, vol. 172, p. 26, China (Apr. 2006).
- Electronista, "LG/Prada phone revealed?," (<http://www.electronista.com/articles/06/12/20/lg.prada.phone.revealed/>), updated Dec. 20, 2006, 9 pages.
- EngineerBoy, CleverDonkey.com, "2001: A Space Odyssey and the iPad (or is it tamPod?)," (<http://www.cleverdonkey.com/1499-2001a-space-odyssey-and-the-ipad-or-is-it-tampod/>), published Feb. 2, 2010, 5 pages.
- Flickr.com, "Apple Graphics Tablet" ([http://farm3.static.flickr.com/2691/4126733086\\_b24c987b0e\\_o.jpg](http://farm3.static.flickr.com/2691/4126733086_b24c987b0e_o.jpg)), accessed Nov. 15, 2011, 1 page.
- Fried, "Live-blogging Steve Ballmer," CNET, ([http://www.cnet.com/8301-31045\\_1-10426723-269.html?tag=mncol%3btxt](http://www.cnet.com/8301-31045_1-10426723-269.html?tag=mncol%3btxt)), published Jan. 6, 2010, 6 pages.
- GSMArena.com, "Apple iPhone," ([http://www.gsmarena.com/apple\\_iphone-1827.php](http://www.gsmarena.com/apple_iphone-1827.php)), accessed Mar. 12, 2007, 3 pages.
- GSMArena.com, "LG KE850 Prada," ([http://www.gsmarena.com/lg\\_ke850\\_prada-1828.php](http://www.gsmarena.com/lg_ke850_prada-1828.php)), accessed Feb. 20, 2007, 4 pages.
- GSMArena.com, "Phillips S900," ([http://www.gsmarena.com/philips\\_s900-1598.php](http://www.gsmarena.com/philips_s900-1598.php)), accessed Feb. 20, 2007, 2 pages.
- GSMArena.com, "Samsung F700," ([http://www.gsmarena.com/samsung\\_f700-1849.php](http://www.gsmarena.com/samsung_f700-1849.php)), accessed Feb. 8, 2007, 2 pages.
- Hagen, R., GadgetZone, "iHolic portable mediaspeler," (<http://www.gadgetzone.nl/nieuws.php?id=3191>), published Jan. 4, 2007, 3 pages.
- Hilon.com, "LG DMB MP3 FM35" (<http://www.hilon.com.cn/autobak/a88100055479.htm>), accessed Dec. 26, 2008, 18 pages.
- iF Design, "iF product design award 2007," ([http://www.ifdesign.de/beitragsdetails\\_e.html?offset=87&sprache=2&award\\_id=121&beit...](http://www.ifdesign.de/beitragsdetails_e.html?offset=87&sprache=2&award_id=121&beit...)), accessed on Sep. 21, 2011, 1 page.
- iriver.com, "iriver U-10," ([www.iriver.com](http://www.iriver.com)), published 2005, 2 pages.
- Itbusiness.ca, "Microsoft Mira eHome Wireless Smart Display," ([http://www.itbusiness.ca/images/articles/Jun10/clip\\_image003\\_0087.jpg](http://www.itbusiness.ca/images/articles/Jun10/clip_image003_0087.jpg)), accessed Nov. 15, 2011, 1 page.
- iTechNews.net, "Samsung K3 MP3 Player," (<http://www.itechnews.net/2006/12/02/samsung-k3-mp3-player/>), published Dec. 2, 2006, 9 pages.
- Justia, "Apple v. Samsung Electronics Co. Ltd. et al., Filing: 943 Attachment: 5," (<http://docs.justia.com/cases/fcdclal/district-courts/california/candce/5:2011cv01846/239768/943/5.html>), dated May 18, 2012, 3 pages.
- Kauffmann, "Music That Fits In Your Pocket," Tomsguide.com, (<http://www.tomsguide.com/us/music-that-fits-in-your-pocket,review-525-5.html>), published Aug. 25, 2005, 4 pages.
- Knowyourmobile.com, "LG KG800 technical specifications," ([http://www.knowyourmobile.com/lg/lgkg800chocolate/lgkg800reviews/137/lg\\_kg800\\_technical\\_specifications.html](http://www.knowyourmobile.com/lg/lgkg800chocolate/lgkg800reviews/137/lg_kg800_technical_specifications.html)), published Mar. 9, 2007, 3 pages.
- Lugmayr, "Sexy iHolic DMB TV PMP," (<http://www.i4u.com/11656/sexy-iholic-dmb-tv-pmp>), published Jan. 3, 2007, 1 page.
- Martin, T., "The Tablet Newspaper: A Vision for the Future," Human Factors in Computing Systems, Chi '95 Conference Companion, pp. 425, Colorado, United States (May 1995).
- McCracken, "The iPad. Of 2000. As Envisioned in 1988," Technolizer.com, (<http://technolizer.com/2010/05/14/the-ipad-of-2000-as-envisioned-in-1988/>), published May 14, 2010, 12 pages.
- Mel et al., "Tablet: Personal Computer in the Year 2000," *Communications of the ACM* 31:638-646, ACM (Jun. 1988).
- Mobilegazette.com, "Nokia N92," (<http://www.mobilegazette.com/nokia-n92-051102.htm>), published Nov. 2, 2005, 2 pages.
- Mobilewhack.com, "Tinnos PDA," ([http://www.mobilewhack.com/reviews/tinnos\\_pda.html](http://www.mobilewhack.com/reviews/tinnos_pda.html)), published May 19, 2006, 1 page.
- Needleman, "Hands-on with the JooJoo," ([http://news.cnet.com/8301-19882\\_3-10410960-250.html](http://news.cnet.com/8301-19882_3-10410960-250.html)), CNET News, published Dec. 7, 2009, 31 pages.
- NewLaunches, "LG Prada cell phones are truly iconic," ([http://www.newlaunches.com/archives/lg\\_prada\\_cell\\_phones\\_are\\_truly\\_iconic.php](http://www.newlaunches.com/archives/lg_prada_cell_phones_are_truly_iconic.php)), retrieved Sep. 12, 2011, 3 pages.
- NewLaunches, "LG Wears Prada," ([http://www.newlaunches.com/archives/lg\\_wears\\_prada.php](http://www.newlaunches.com/archives/lg_wears_prada.php)), retrieved Sep. 23, 2011, 2 pages.
- Newlaunches.com, "Pidion BM-200 sleek Windows CE PDA phone from Bluebird," ([http://www.newlaunches.com/archives/pidion\\_bm200\\_sleek\\_windows\\_ce\\_pda\\_phone\\_from\\_bluebird.php](http://www.newlaunches.com/archives/pidion_bm200_sleek_windows_ce_pda_phone_from_bluebird.php)), published Dec. 15, 2005, 3 pages.
- NYTimes.com, "iRiver U10 (1GB)," (<http://www.nytimes.com/technology/personaltech/music-players/iRiver-U10-1GB-31432102.html>), published Feb. 12, 2012, 2 pages.
- Patel, "The HP Slate" (<http://www.engadget.com/2010/01/06/the-hp-slate/>), Engadget.com, published Jan. 6, 2010, 4 pages.
- PC Magazine, "HP Compaq Tablet PC TC1000," (<http://www.pcmag.com/article2/0.2817%20,939500,00.asp>), published Apr. 8, 2003, 3 pages.
- PCMag.com, "iriver U10," (<http://www.pcmag.com/article2/0,2817,1901833,00.asp>), published Dec. 14, 2005, 3 pages.
- PDADB.net, "Bluebird Pidion BM-200 Specs," ([http://pdadb.net/index.php?m=specs&id=1804&c=bluebird\\_pidion\\_bm-200](http://pdadb.net/index.php?m=specs&id=1804&c=bluebird_pidion_bm-200)), published Mar. 24, 2008, 3 pages.
- PDADB.net, "Casio Cassiopeia IT-10 M20BR Specs," ([http://pdadb.net/index.php?m=specs&id=95&c=casio\\_cassiopeia\\_it-10\\_m20br](http://pdadb.net/index.php?m=specs&id=95&c=casio_cassiopeia_it-10_m20br)), published Dec. 30, 2004, 3 pages.
- PDADB.net, "CyberBank POZX301 Specs," ([http://pdadb.net/index.php?m=specs&id=442&c=cyberbank\\_poz\\_x301](http://pdadb.net/index.php?m=specs&id=442&c=cyberbank_poz_x301)), published Jan. 31, 2006, 3 pages.
- PDADB.net, "Dell Axim X3 Basic Specs," ([http://pdadb.net/index.php?m=specs&id=81&c=dell\\_axim\\_x3\\_basic](http://pdadb.net/index.php?m=specs&id=81&c=dell_axim_x3_basic)), published Dec. 30, 2004, 3 pages.
- PDADB.net, "Detailed Specifications of O2 XDA Flame," ([http://pdadb.net/index.php?m=specs&id=673&view=1&c=O2\\_xda\\_flame](http://pdadb.net/index.php?m=specs&id=673&view=1&c=O2_xda_flame)), accessed May 6, 2011, 3 pages.
- PDADB.net, "Dopod 838 Pro (HTC Hermes 100) Specs," ([http://pdadb.net/index.php?m=specs&id=578&c=dopod\\_838\\_pro\\_htc\\_hermes\\_100](http://pdadb.net/index.php?m=specs&id=578&c=dopod_838_pro_htc_hermes_100)), published Aug. 4, 2005, 3 pages.
- PDADB.net, "Garmin iQue M5 Specs," ([http://pdadb.net/index.php?m=specs&id=302&c=garmin\\_ique\\_m5](http://pdadb.net/index.php?m=specs&id=302&c=garmin_ique_m5)), published Jul. 17, 2005, 3 pages.
- PDADB.net, "Krome Spy (HTC Magician Refresh) Specs," ([http://pdadb.net/index.php?m=specs&id=550&c=krome\\_spy\\_htc\\_magician\\_refresh](http://pdadb.net/index.php?m=specs&id=550&c=krome_spy_htc_magician_refresh)), published Jul. 18, 2006, 3 pages.
- PDADB.net, "MiTAC Mio 338 Plus Digi-Walker Specs," ([http://pdadb.net/index.php?m=specs&id=60&c=mitac\\_mio\\_338\\_plus\\_digi-walker](http://pdadb.net/index.php?m=specs&id=60&c=mitac_mio_338_plus_digi-walker)), published Dec. 25, 2004, 3 pages.
- PDADB.net, "O2 XDA (HTC Wallaby) Specs," ([http://pdadb.net/index.php?m=specs&id=117&c=o2\\_xda\\_htc\\_wallaby](http://pdadb.net/index.php?m=specs&id=117&c=o2_xda_htc_wallaby)), published Feb. 3, 2005, 3 pages.
- PDADB.net, "Palm Z22 Specs," ([http://pdadb.net/index.php?m=specs&id=1244&c=palm\\_z22](http://pdadb.net/index.php?m=specs&id=1244&c=palm_z22)), published Mar. 13, 2006, 3 pages.

- PDADB.net, "PalmOne LifeDrive Specs," ([http://pdadb.net/index.php?m=specs&id=1242&c=palmone\\_lifedrive](http://pdadb.net/index.php?m=specs&id=1242&c=palmone_lifedrive)), published Mar. 12, 2008, 3 pages.
- PDADB.net, "Sony Clie PEG-SL10 / PEG-SL10U / PEG-SL10E Specs," ([http://pdadb.net/index.php?m=specs&id=1198&c=sony\\_clie\\_peg-s110\\_peg-s110u\\_peg-s110e](http://pdadb.net/index.php?m=specs&id=1198&c=sony_clie_peg-s110_peg-s110u_peg-s110e)), published Mar. 4, 2008, 3 pages.
- PDADB.net, "Sony Clie PEG-T665C / PEG-T675C Specs," ([http://pdadb.net/index.php?m=specs&id=1192&c=sony\\_clie\\_peg-t665c\\_peg-t675c](http://pdadb.net/index.php?m=specs&id=1192&c=sony_clie_peg-t665c_peg-t675c)), published Mar. 4, 2008, 3 pages.
- PDADB.net, "Toshiba Genio e330 Specs," ([http://pdadb.net/index.php?m=specs&id=29&c=toshiba\\_genio\\_e330](http://pdadb.net/index.php?m=specs&id=29&c=toshiba_genio_e330)), published Dec. 9, 2004, 3 pages.
- PDADB.net, "Toshiba Genio e570 Specs," ([http://pdadb.net/index.php?m=specs&id=229&c=toshiba\\_genio\\_e570](http://pdadb.net/index.php?m=specs&id=229&c=toshiba_genio_e570)), published May 4, 2006, 3 pages.
- Ricker, "LG's KE850 Prada official: iPhone says, wha?," Engadget.com, (<http://www.engadget.com/2007/01/18/lgs-ke850-prada-official-iphonc-says-wha/>), published Jan. 18, 2007, 4 pages.
- Ricker, "Meizu's M8? Apple lawyers, start your engines," Engadget.com, (<http://www.engadget.com/2007/01/29/meizus-m8-apple-lawyers-start-your-engines/>), published Jan. 29, 2007, 1 page.
- Ricker, "The Pidion BM-200: it's time to move to Seoul," (<http://www.engadget.com/2005/10/04/the-pidion-bm-200-its-time-to-move-to-seoul/>), Engadget.com, published Oct. 4, 2005, 4 pages.
- Rojas, "Hands-on with the Nokia N92," Engadget.com, (<http://www.engadget.com/2005/12/01/hands-on-with-the-nokia-n92/>), published Dec. 1, 2005, 4 pages.
- S., Dimitris, "Pidion BM200 Smartphone," PDASNews, ([www.pdasnews.com/articles/pidion-bm200-smartphone.html](http://www.pdasnews.com/articles/pidion-bm200-smartphone.html)), published 2009, 2 pages.
- Salestores.com, "LG L1530TM Tablet LCD Monitor," (<http://salestores.com/lg11ta1cdmos.html>), accessed Nov. 17, 2011, 2 pages.
- Samsung, "Samsung F700 is razendsnelle alleskunner voor mobiel breedband van Vodafone," ([http://www.samsung.com/nl/mobile/pressView.do?ptype=press&page=13&news\\_seq=22544](http://www.samsung.com/nl/mobile/pressView.do?ptype=press&page=13&news_seq=22544)), published May 25, 2008, 2 pages.
- Samsung, "Samsung Unveils Revolutionary Ultra Smart F700," ([http://www.samsung.com/us/news/newsRead.do?news\\_seq=3516](http://www.samsung.com/us/news/newsRead.do?news_seq=3516)), published Nov. 23, 2009, 2 pages.
- Smith et al., "The Radial Scroll Tool: Scrolling Support for Stylus- or Touch-Based Document Navigation," *UIST*, ACM, published Oct. 2004.
- Smith, reghardware.com, "First fondleslab found in 1970s kids TV sci-fi gem: Apple iPad inspired by Tomorrow People," ([http://www.reghardware.com/2011/02/07/apple\\_ipad\\_tomorrow\\_people/](http://www.reghardware.com/2011/02/07/apple_ipad_tomorrow_people/)), published Feb. 7, 2011, 3 pages.
- Sooman, "The LG Chocolate phone," Techspot.com, (<http://www.techspot.com/news/20929-the-lg-chocolate-phone.html>), published on Mar. 23, 2006, 5 pages.
- Van Reeth, J., "Vantage is showing its colours!," *Home automation journal* 11:1-8, Vantage Emea, Belgium (Jun. 2003).
- Vasile, C., Softpedia, "MobilePen: An Expensive but Helpful Touchscreen," (<http://news.softpedia.com/news/MobilePen-An-Expensive-But-Helpful-Touchscreen-16192.shtml>), published Jan. 12, 2006, 2 pages.
- Vilas-Boas, "Industrial Design Portfolio," (<http://rdvb-designshowcase.blogspot.com/p/cheddar-1-2009.html>), published 2004, 6 pages.
- WebdesignerDepot.com, "The Evolution of Cell Phone Design Between 1983-2009" (<http://www.webdesignerdepot.com/2009/05/the-evolution-of-cell-phone-design-between-1983-2009/>), accessed May 6, 2011, 56 pages.
- Wikipedia, "Etch A Sketch," ([http://en.wikipedia.org/wiki/Etch\\_a\\_sketch](http://en.wikipedia.org/wiki/Etch_a_sketch)), last modified Aug. 24, 2011, 4 pages.
- Wikipedia, "MessagePad," (<http://en.wikipedia.org/wiki/Messagepad>), retrieved Sep. 12, 2011, 10 pages.
- Wikipedia.org, "CLIE," (<http://en.wikipedia.org/wiki/CLIE>), last modified Feb. 12, 2011, 3 pages.
- Wikipedia.org, "E-Ten" (<http://en.wikipedia.org/wiki/E-TEN>), last modified Dec. 15, 2010, 2 pages.
- Wikipedia.org, "File:LG KE850 Prada Hauptmenü.jpg," ([http://en.wikipedia.org/wiki/File:LG\\_KE850\\_Prada\\_Hauptmenü\\_%C3%BC.jpg](http://en.wikipedia.org/wiki/File:LG_KE850_Prada_Hauptmenü_%C3%BC.jpg)), published May 13, 2008, 4 pages.
- Wikipedia.org, "iPAQ" (<http://en.wikipedia.org/wiki/IPAQ>), last modified May 4, 2011, 7 pages.
- Wikipedia.org, "LifeDrive" (<http://en.wikipedia.org/wiki/LifeDrive>), last modified Mar. 16, 2011, 3 pages.
- Wikipedia.org, "Pocket viewer," ([http://en.wikipedia.org/wiki/Pocket\\_viewer](http://en.wikipedia.org/wiki/Pocket_viewer)), last modified Apr. 10, 2011, 4 pages.
- Wikipedia.org, "Zire Handheld" ([http://en.wikipedia.org/wiki/Zire\\_Handheld](http://en.wikipedia.org/wiki/Zire_Handheld)), last modified Dec. 11, 2010, 4 pages.
- ZDNet, "Viewsonic V1100," (<http://www.zdnet.nl/reviews/24712/viewsonic-v1100/>), published Feb. 17, 2003, 9 pages.
- Ziegler, "The LG KE850: touchable chocolate," Engadget.com, (<http://www.engadget.com/2006/12/15/the-lg-ke850-touchable-chocolate/>), published Dec. 15, 2006, 5 pages.
- Amazon, "Sharp Zaurus S1-6000L Handheld," (<http://www.amazon.com/Sharp-SL-6000L-Zaurus-Handheld/dp/B0001W17H2>), product available Mar. 12, 2004, 5 pages.
- Coby Communications Ltd., Consumer Electronics 2009 Fall, received by the JPO Industrial Property Library on Oct. 23, 2009; 1 page.
- Hamamatsu Toa Electric Co. Ltd., Smartphone BM-170, received by the JPO Industrial Property Library on Mar. 26, 2010; 1 page.
- Mobiface, "The Black Box," (<http://www.mobiface.com/view.php?id=53>), published Sep. 28, 2006, 5 pages.
- U.S. Appl. No. 29/431,553, "Electronic Device," inventors Akana, et al., filed Sep. 7, 2012 (Not Published).
- Apple.com, "Apple—iPhone—Gallery," (<http://web.archive.org/web/20070705201012/http://www.apple.com/iphone/gallery/index8.html>), dated Jul. 5, 2007, accessed Mar. 28, 2013, 1 page.
- Blogitech.co.uk, "Sharp WX-T825 (Softbank 825SH) arrives Taiwan," (<http://blogitechnews.blogspot.co.uk/2008/10/sharp-wx-t825-softbank-825sh-arrives.html>), published Oct. 3, 2008, 2 pages.
- Chan, Meng, "LG BL40 New Chocolate," MassOrder Mobile Tech Blog, (<http://massordermobile.blogspot.co.uk/2009/11/lg-bl40-new-chocolate.html>), published Nov. 17, 2009, 7 pages.
- Har-Even, Benny, "iRiver U10 media player," The Register, ([http://www.theregister.co.uk/2006/01/19/review\\_iriver\\_u10/print.html](http://www.theregister.co.uk/2006/01/19/review_iriver_u10/print.html)), published Jan. 19, 2006, 5 pages.
- Justia, "*Apple v. Samsung Electronics Co. Ltd. et al.*, Filing: 943 Attachment: 5," (<http://docs.justia.com/cascs/federal/district-courts/california/candce/5:2011cv01846/239768/943/5.html>), dated May 18, 2012, 3 pages.
- Lee, Tommy, "Cookie phone pink, LG Electronics Cyon LG-LU9100," (<http://diner.tistory.com/m/post/view/id/211>), published Jul. 14, 2009, 8 pages.
- Mobilegazette.com, "AcerDX900/E-TEN Glofish DX900," (<http://www.mobilegazette.com/acer-dx900-09x02x04.htm>), published Feb. 4, 2009, 3 pages.
- Mobilegazette.com, Apple iPhone 3G, (<http://www.mobilegazette.com/apple-iphone-3g-08x06x09.htm>), published Jun. 9, 2008, 5 pages.
- Mobilegazette.com, "E-TEN Glofish X650," (<http://www.mobilegazette.com/eten-glofish-x650-08x01x12.htm>), published Jan. 12, 2008, 2 pages.
- Mohindru, Ravin, "New iPod touch 4G (4th gen) First Impressions," TouchReviews.net, (<http://touchreviews.net/ipod-touch-4g-4-impressions/>), published Sep. 7, 2010, 10 pages.
- Support.Apple.com, "Identifying iPhone Models," (<http://web.archive.org/web/20121211214303/http://support.apple.com/kb/HT3939>), last modified Oct. 30, 2012, 5 pages.
- Support.Apple.com, "Identifying iPod Models," (<http://web.archive.org/web/20121024182303/http://support.apple.com/kb/HT1353>), last modified Apr. 6, 2012, 16 pages.

\* cited by examiner

Primary Examiner — Barbara Fox  
Assistant Examiner — Aram Kwon

(74) *Attorney, Agent, or Firm* — Sterne, Kessler,  
Goldstein & Fox P.L.L.C.

(57) **CLAIM**

The ornamental design for an electronic device, as shown  
and described.

**DESCRIPTION**

FIG. 1 is a bottom front perspective view of an electronic  
device showing the claimed design;

FIG. 2 is a bottom rear perspective view thereof;

FIG. 3 is a top front perspective view thereof;

FIG. 4 is a top rear perspective view thereof;

FIG. 5 is a front view thereof;

FIG. 6 is a rear view thereof;

FIG. 7 is a top view thereof;

FIG. 8 is a bottom view thereof;

FIG. 9 is a left side view thereof; and,

FIG. 10 is a right side view thereof.

The shade lines in the figures show contour and not surface  
ornamentation.

The dashed broken lines in the figures show portions of the  
electronic device that form no part of the claimed design.

The dot-dash broken lines in the figures show boundaries  
that form no part of the claimed design.

**1 Claim, 10 Drawing Sheets**



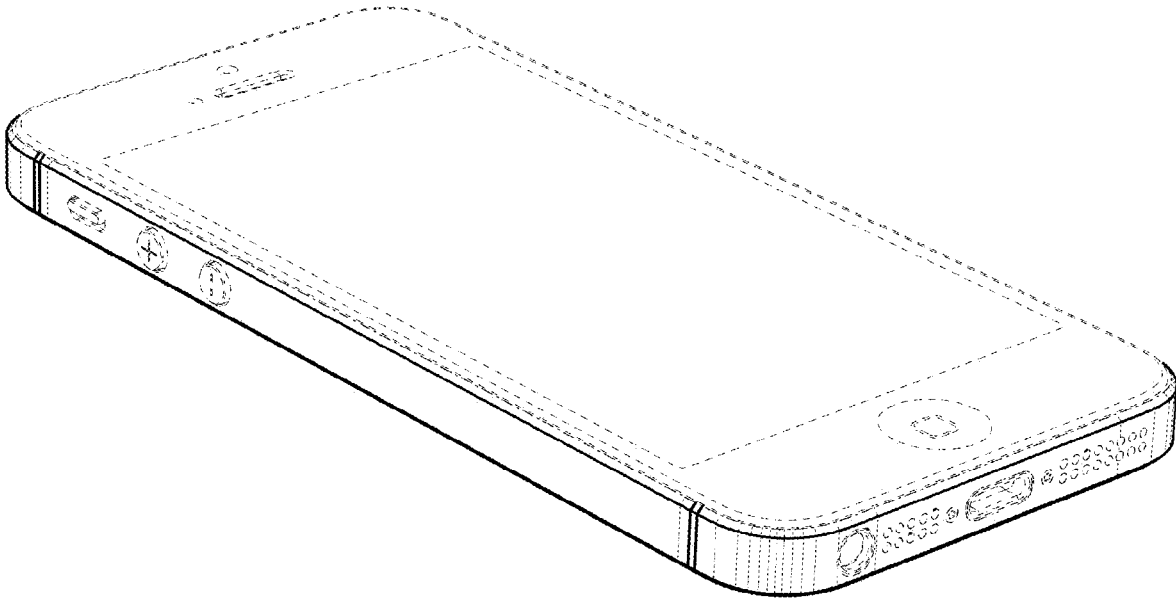


FIG. 1

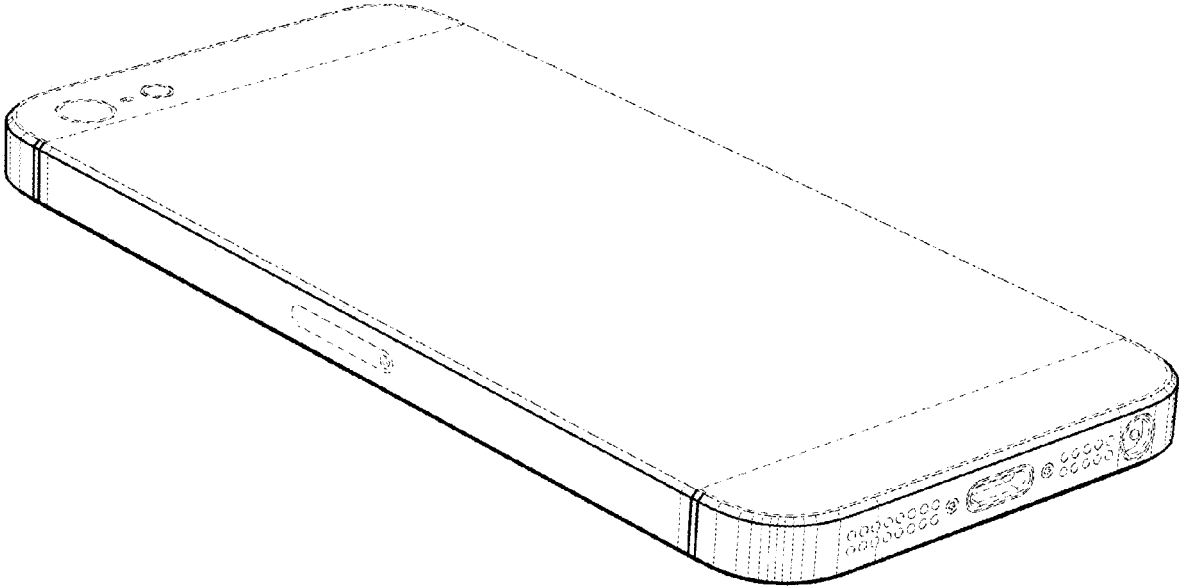


FIG. 2

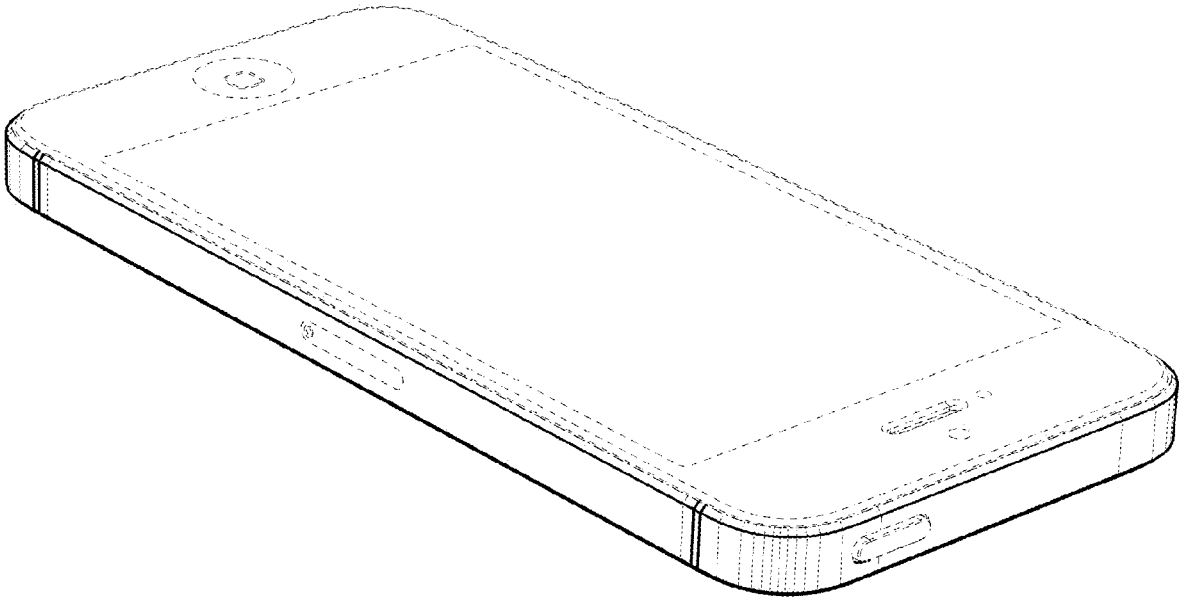


FIG. 3

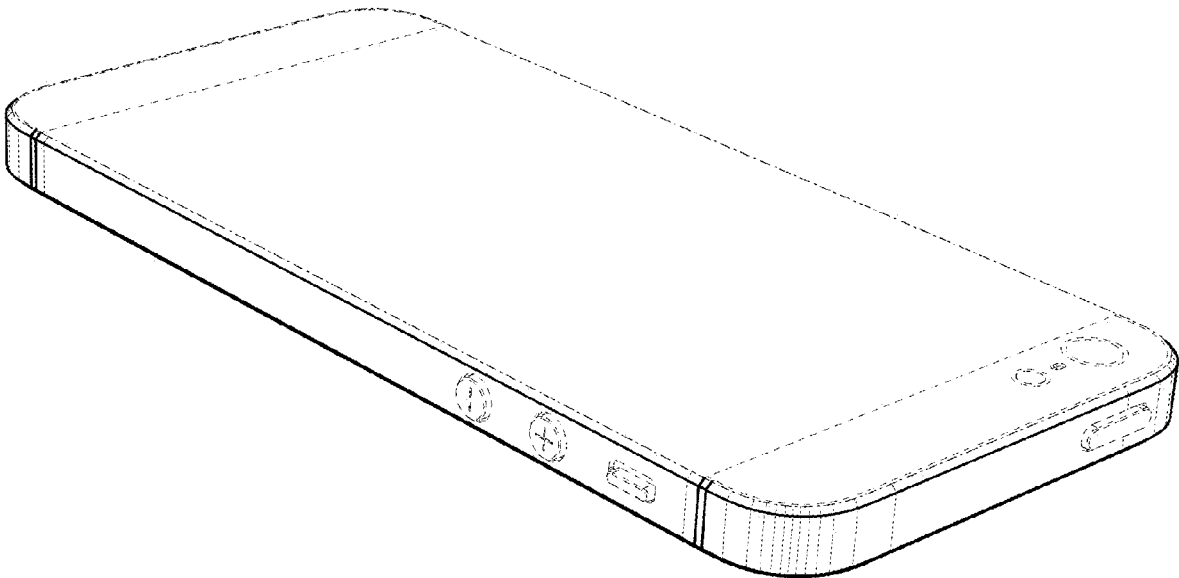


FIG. 4

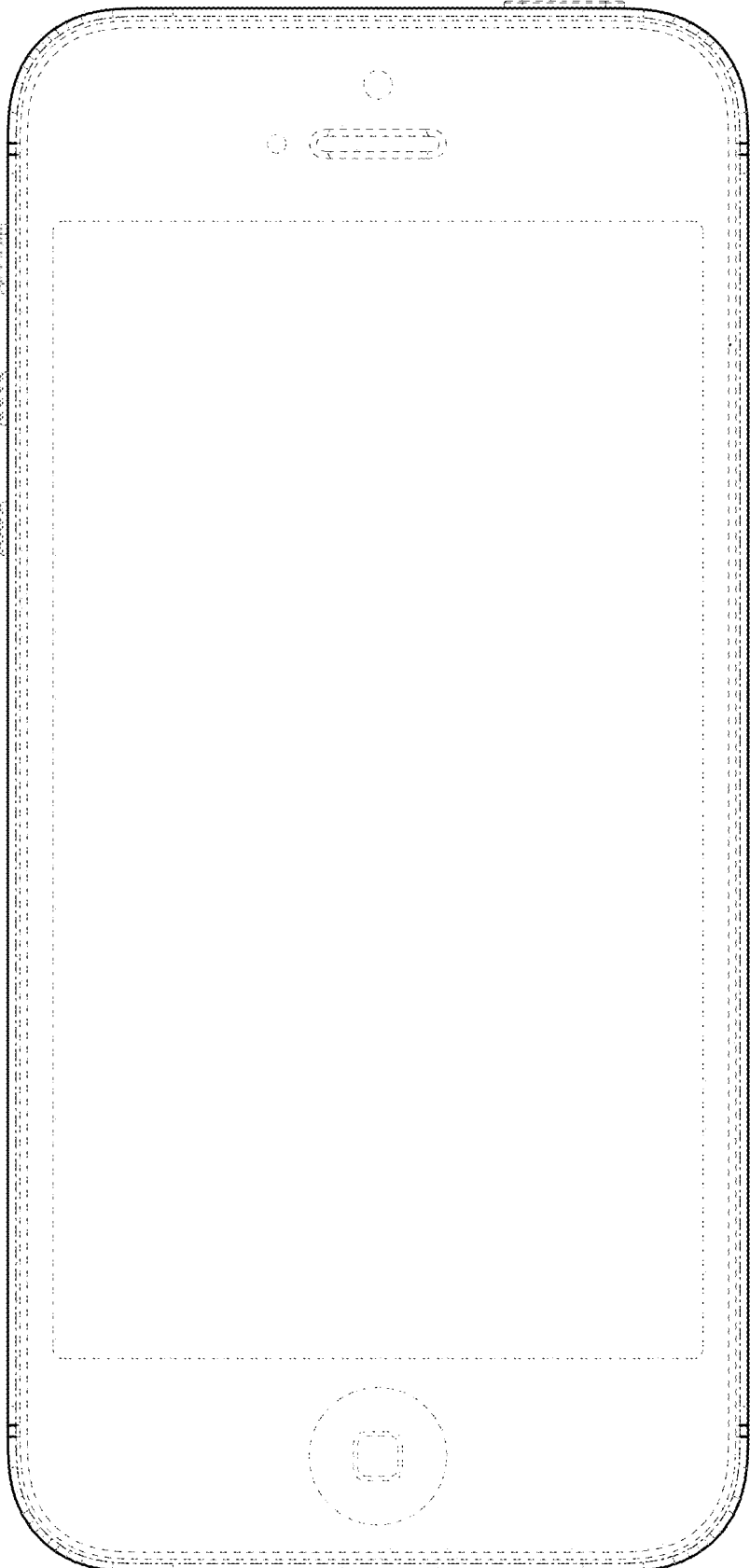


FIG. 5

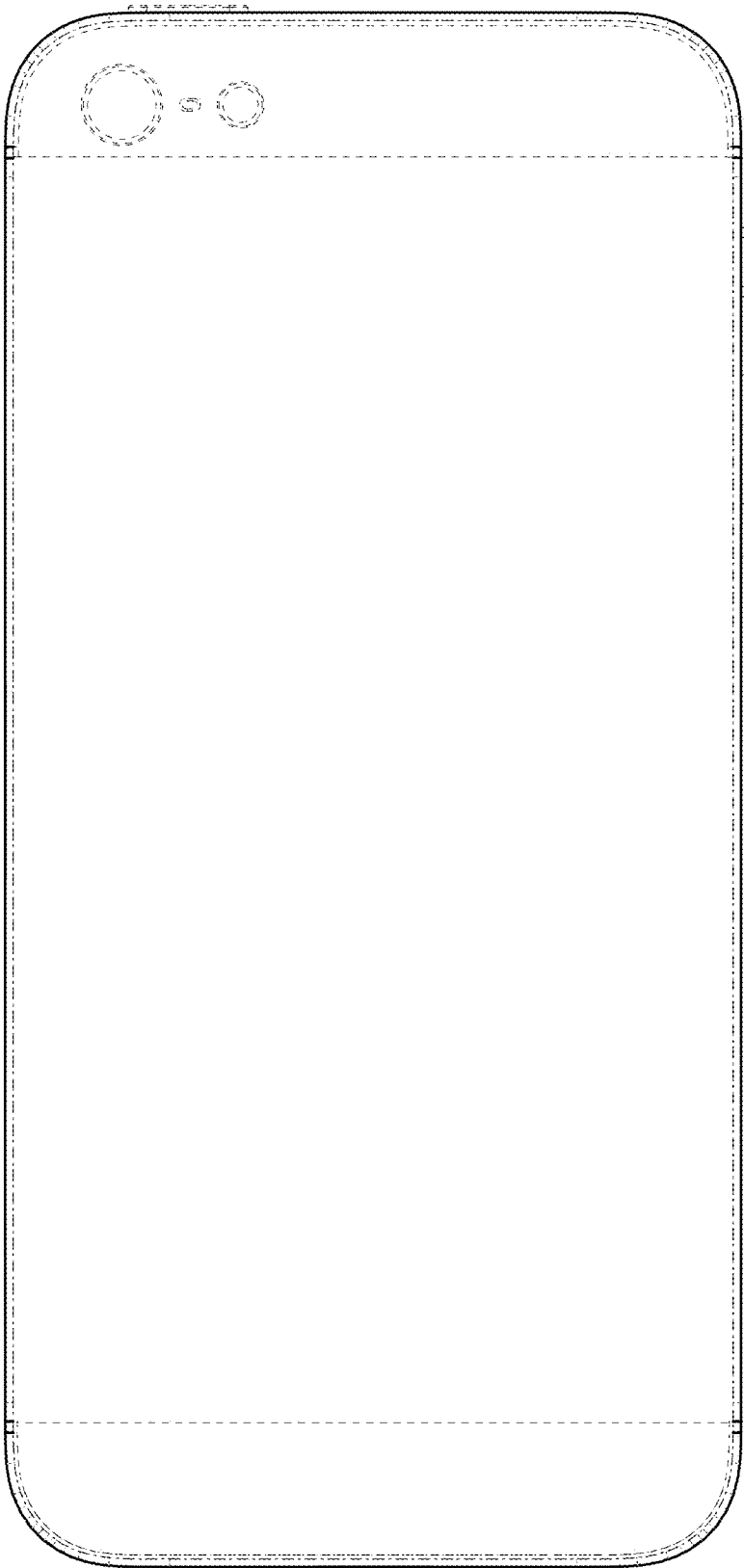


FIG. 6

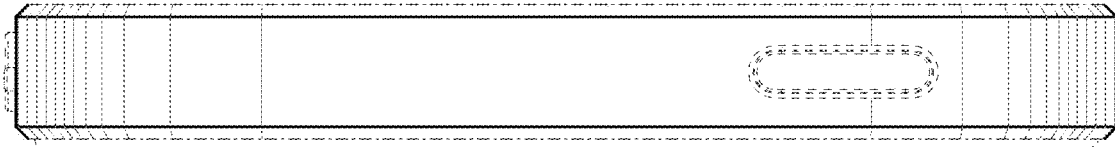


FIG. 7

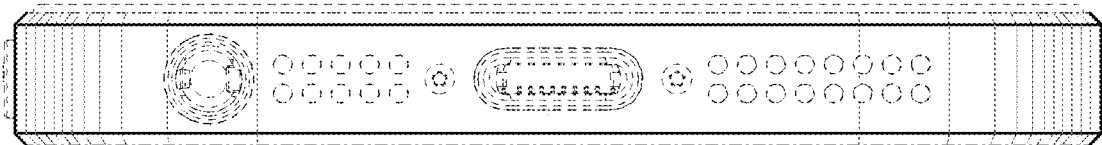


FIG. 8





FIG. 9

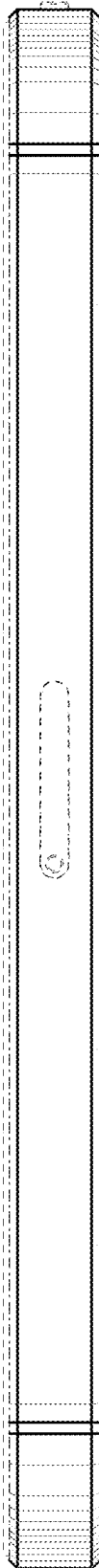


FIG. 10