



US00D917396S

(12) **United States Design Patent**
Assmann

(10) **Patent No.:** **US D917,396 S**

(45) **Date of Patent:** **** Apr. 27, 2021**

(54) **CONNECTION HOUSING**

D512,023 S * 11/2005 Bachmann D13/149
D514,069 S * 1/2006 Bachmann D13/149
D514,330 S 2/2006 Potempa

(Continued)

(71) Applicant: **Alexander Binzel Schweisstechnik,**
Buseck (DE)

(72) Inventor: **Steffen Assmann,** Freital (DE)

OTHER PUBLICATIONS

(73) Assignee: **Alexander Binzel Schweisstechnik GmbH & Co. KG,** Buseck (DE)

“Neutrik NC3FX 3-Pin XLR Female Cable Connector.” Found online Sep. 23, 2020 at www.amazon.com. Product first available Dec. 17, 2007. Retrieved from URL: <https://www.amazon.com/Neutrik-NC3FX-Connector-Housing-Contacts/dp/B002AF4I24?th=1> (Year: 2007).*

(Continued)

(**) Term: **15 Years**

(21) Appl. No.: **29/686,239**

(22) Filed: **Apr. 3, 2019**

Primary Examiner — Mary Ann Calabrese
Assistant Examiner — Katelin G Kloberg
(74) *Attorney, Agent, or Firm* — Rogowski Law LLC

(57) **CLAIM**

The ornamental design for a connection housing, as shown and described.

Related U.S. Application Data

(62) Division of application No. 29/557,871, filed on Mar. 14, 2016, now Pat. No. Des. 849,808.

(51) **LOC (13) Cl.** **13-03**

(52) **U.S. Cl.**

USPC **D13/133**

(58) **Field of Classification Search**

USPC D4/138; D8/107; D13/133, 146, 149,
D13/154; D15/139, 144, 199; D23/213,
D23/259; D24/129, 133

CPC .. G02B 6/3893; G02B 6/3817; G02B 6/3825;
H01R 31/06

See application file for complete search history.

DESCRIPTION

FIG. 1 is a bottom, front, left side perspective view of a connection housing, showing my new design;

FIG. 2 is a bottom, front, right side perspective view of the connection housing of FIG. 1;

FIG. 3 is a front elevational view of the connection housing of FIG. 1;

FIG. 4 is a top plan view of the connection housing of FIG. 1;

FIG. 5 is a rear elevational view of the connection housing of FIG. 1;

FIG. 6 is a left side elevational view of the connection housing of FIG. 1;

FIG. 7 is a right side elevational view of the connection housing of FIG. 1; and,

FIG. 8 is a bottom plan view of the connection housing of FIG. 1.

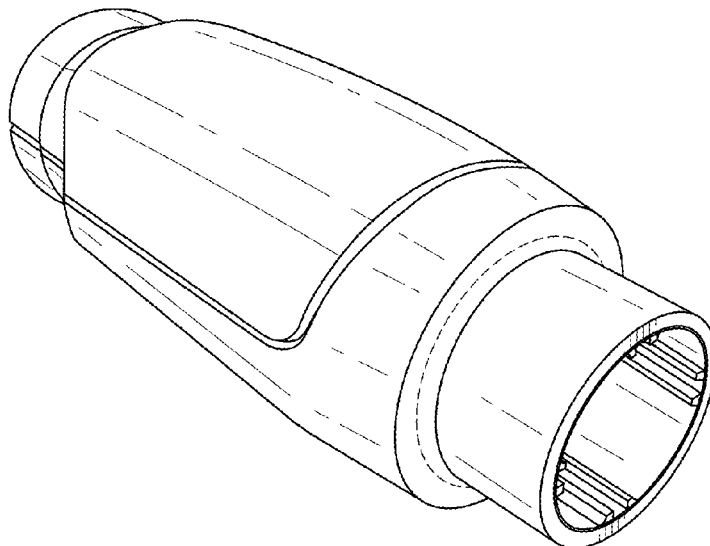
The broken lines shown in the drawings depict portions of the article and form no part of the claimed design.

References Cited

U.S. PATENT DOCUMENTS

D361,927 S * 9/1995 Chuen-Hong D8/107
D396,754 S 8/1998 Chang
D445,663 S 7/2001 Chen
D447,925 S 9/2001 Osborne
D466,388 S 12/2002 Chemtob
D473,194 S * 4/2003 Lee D13/133
D490,779 S * 6/2004 Lee D13/133
D498,130 S 11/2004 Tomchak

1 Claim, 4 Drawing Sheets



(56)

References Cited

U.S. PATENT DOCUMENTS

D517,577 S * 3/2006 Conway D15/144
 D530,670 S * 10/2006 Brown D13/133
 D530,977 S * 10/2006 Timm D7/395
 D532,432 S 11/2006 Owens
 D535,542 S 1/2007 Engvall
 D536,009 S * 1/2007 MacKenzie D15/144
 D537,092 S 2/2007 Owens
 D549,174 S * 8/2007 Lee D13/133
 D550,623 S * 9/2007 McCann D13/133
 D576,105 S * 9/2008 Victor D13/133
 D580,863 S * 11/2008 Amidon D13/133
 D583,644 S 12/2008 Hao
 D611,427 S * 3/2010 Hynecek D13/154
 7,857,643 B2 * 12/2010 Dobler H01R 27/00
 439/172
 D632,713 S * 2/2011 Leonhartsberger D15/144
 D638,270 S 5/2011 Flattinger
 D647,382 S 10/2011 Flattinger
 8,047,099 B2 11/2011 St. John
 D655,815 S * 3/2012 Miller D24/133
 D657,807 S * 4/2012 Frazier D15/139
 D679,976 S 4/2013 Chiu
 D683,773 S 6/2013 Boyer
 D689,356 S 9/2013 Yang
 D703,713 S * 4/2014 Frazier D15/139
 D705,631 S 5/2014 Waldron
 D706,117 S * 6/2014 Toimil D8/356
 D708,241 S * 7/2014 Stephens D15/144
 D715,061 S 10/2014 Schouten
 D715,227 S * 10/2014 Leem D13/146
 D719,200 S * 12/2014 Hassan D15/144
 D728,649 S * 5/2015 Hassan D15/144
 D735,787 S * 8/2015 Hassan D15/144
 D741,477 S * 10/2015 Rogers D24/129
 D744,562 S * 12/2015 Hassan D15/144
 D748,174 S * 1/2016 Hassan D15/144
 D753,065 S * 4/2016 Corona D13/146
 D757,510 S 5/2016 Caglar
 D757,511 S 5/2016 Caglar
 D759,137 S * 6/2016 Hassan D15/144
 D763,935 S * 8/2016 Hassan D15/144
 9,502,804 B2 * 11/2016 Endo H01R 13/428
 D776,795 S * 1/2017 Lucero, Jr. D23/259
 D789,297 S * 6/2017 Dobler D13/133
 D809,579 S * 2/2018 Buss D15/144
 D814,264 S 4/2018 Werdowatz
 D830,151 S * 10/2018 Weinberg D8/107
 D839,193 S * 1/2019 Menolotto D13/133
 10,186,804 B2 * 1/2019 Menolotto H01R 13/641
 D847,747 S * 5/2019 Rasmussen D13/133
 D847,749 S * 5/2019 Barrefelt D13/133
 D861,610 S * 10/2019 Shepard D13/133
 D887,246 S * 6/2020 Chang D8/107

2004/0163501 A1 * 8/2004 Chen B25G 1/066
 81/177.1
 2008/0194142 A1 * 8/2008 Wlos H01R 24/564
 439/584
 2009/0186503 A1 * 7/2009 Dobler H01R 27/00
 439/172
 2009/0211749 A1 * 8/2009 Nguyen E21B 33/068
 166/75.11
 2015/0044898 A1 * 2/2015 Dobler H01R 13/6275
 439/352
 2016/0085031 A1 * 3/2016 Dobler H01R 43/16
 385/56
 2016/0134066 A1 * 5/2016 Endo H01R 43/24
 439/578
 2016/0274315 A1 * 9/2016 Koch G02B 6/3849

OTHER PUBLICATIONS

“US Forge 621 Welding Black Cable Connectors.” Found online Sep. 23, 2020 at www.amazon.com. Product first available Jul. 17, 2007. Retrieved from URL: <https://www.amazon.com/US-Forge-Welding-Black-Connectors/dp/B0000DCZR5> (Year: 2007).*

“Lenco 05552 LC-40 Green Welding Cable Holder Set.” Found online Sep. 23, 2020 at www.amazon.com. Product first available Nov. 3, 2012. Retrieved from URL: https://www.amazon.com/Lenco-05552-LC-40-Welding-Holder/dp/B00AB3J7U0/ref=pd_rhf_dp_p_img_1?_encoding=UTF8&psc=1&refRID=SPPV07YT2FT31SGPYBZ6 (Year: 2012).*

“Fishlor 3-Core Mini XLR Welding Head.” Found online Sep. 23, 2020 at www.amazon.com. Product first available Aug. 13, 2020. Retrieved from URL: <https://www.amazon.com/Fishlor-Microphone-Connector-Headphone-Soldering/dp/B08FSR9BSY> (Year: 2020).*

“YouTube—MB Evo Pro. The standard redefined.” Found online Aug. 8, 2018 at www.youtube.com. Video published Oct. 13, 2016. Retrieved from URL: <https://www.youtube.com/watch?v=BVM2bNHAftU&feature=youtu.be> (Year: 2016)

“Weldflame MB-15-AK MIG/MAG Welding Torch.” Found online Aug. 8, 2018 at www.amazon.com. Product first available Oct. 10, 2017. Retrieved from URL: <https://tinyurl.com/yax5pccb> (Year 2017).

“Welding Gun Torch 150A Mig Welder Torch Binzel Type CO2 MB15.” Found online Aug. 8, 2018 at www.amazon.com. Product first available Mar. 22, 2016. Retrieved from URL: https://www.amazon.com/dp/B01DA14PYM/ref=psdc_13400531_13_13076CLYG8C (Year: 2016).

“Euro-Connection MIG Welding Torch Type 15.” Found online Aug. 8, 2018 at www.weldequip.com. Image dated Dec. 16, 2013. Retrieved from URL: https://tineye.com/search/948b81ead5ba43b598d7d4d57ad512c09543d55/?extension_ver=chrome-1.2.0 (Year: 2013).

* cited by examiner

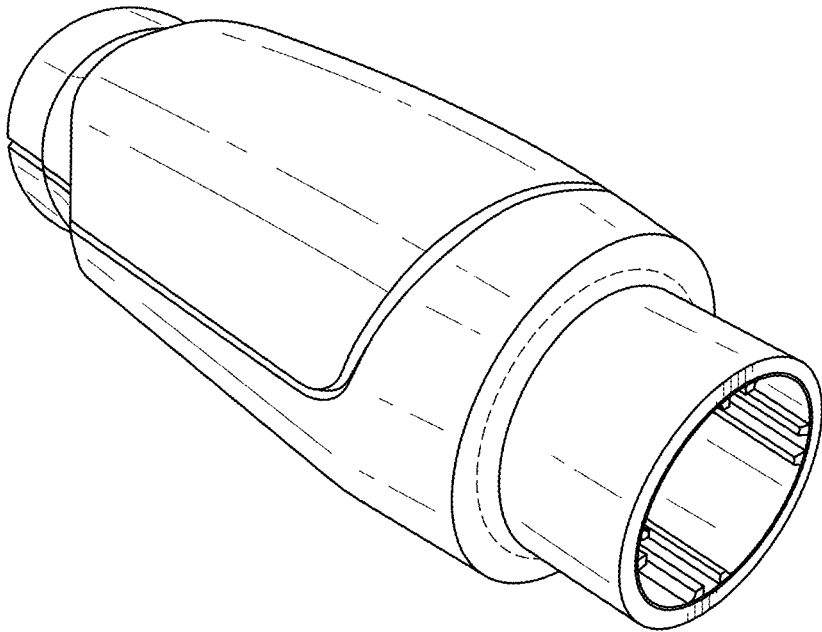


FIG. 1

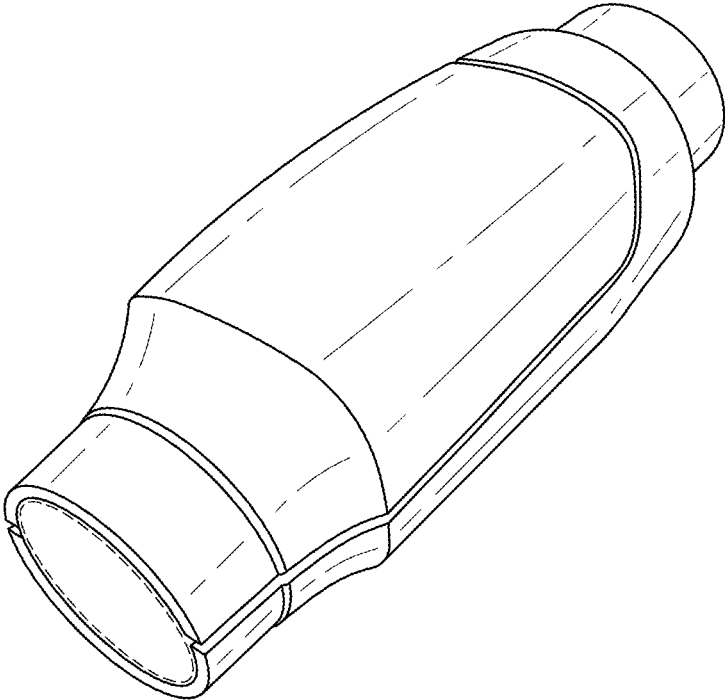


FIG. 2

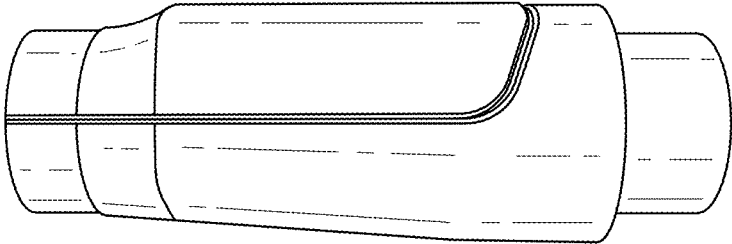


FIG. 3

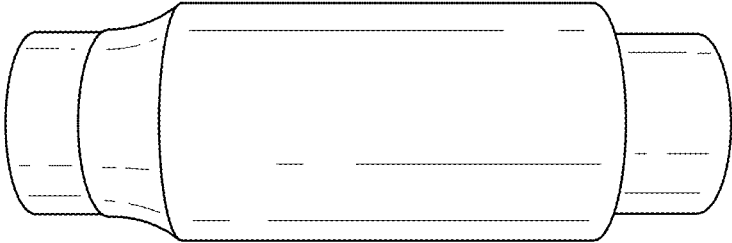


FIG. 4

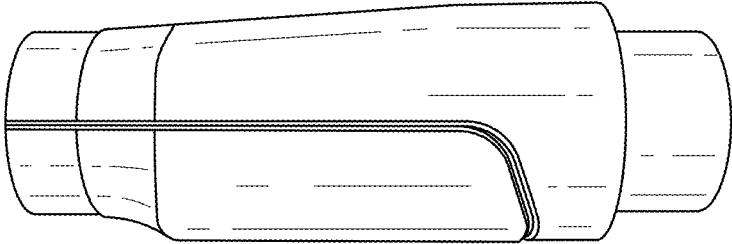


FIG. 5

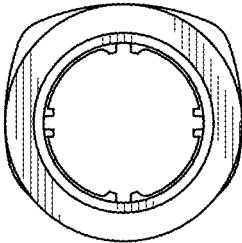


FIG. 6

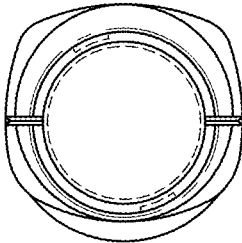


FIG. 7

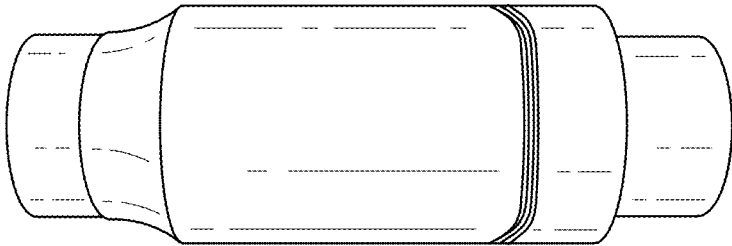


FIG. 8