



US0D1014460S

(12) **United States Design Patent**
Chen

(10) **Patent No.:** **US D1,014,460 S**

(45) **Date of Patent:** **** Feb. 13, 2024**

(54) **HEADSET**

(71) Applicant: **SHENZHEN LIYIN
ELECTROACOUSTIC
TECHNOLOGY COMPANY,**
Shenzhen (CN)

(72) Inventor: **Xiaochun Chen,** Shenzhen (CN)

(73) Assignee: **SHENZHEN LIYIN
ELECTROACOUSTIC
TECHNOLOGY COMPANY,**
Shenzhen (CN)

(**) Term: **15 Years**

(21) Appl. No.: **29/813,054**

(22) Filed: **Oct. 26, 2021**

(30) **Foreign Application Priority Data**

May 12, 2021 (CN) 202130282828.1

(51) **LOC (14) Cl.** **14-01**

(52) **U.S. Cl.**
USPC **D14/205**

(58) **Field of Classification Search**
USPC D14/205, 206, 226; D29/112; 2/209;
381/380-381, 374, 370, 74
CPC H04R 25/00; H04R 25/02; H04R 1/1066;
H04R 1/1016; H04R 5/033; H04R
5/0335; H04R 1/105; H04R 1/1091
See application file for complete search history.

(56) **References Cited**

U.S. PATENT DOCUMENTS

3,505,684 A * 4/1970 Hutchinson A61F 11/14
2/209
4,993,074 A * 2/1991 Carroll H04R 5/033
381/189
D328,461 S * 8/1992 Daido D14/205

D423,012 S * 4/2000 Yasutomi D14/205
D430,140 S * 8/2000 Roman D14/205
7,172,052 B2 * 2/2007 Lenhard-Backhaus
H04R 1/1066
181/129
D571,354 S * 6/2008 Ng D14/205
D573,581 S * 7/2008 Gondo D14/205
D588,100 S * 3/2009 Densho D14/205
D593,995 S * 6/2009 Shimizu D14/205
D625,705 S * 10/2010 Ohori D14/223
D632,668 S * 2/2011 Brunner D14/205
D634,732 S * 3/2011 Kondo D14/205
D638,397 S * 5/2011 McManigal D14/205
D639,776 S * 6/2011 Arimoto D14/205
D657,344 S * 4/2012 Brunner D14/205
D657,346 S * 4/2012 Park D14/205
D662,490 S * 6/2012 McSweyn D14/205

(Continued)

FOREIGN PATENT DOCUMENTS

CN 306855428 * 9/2021
EM 006268900-0001 * 2/2019
GB 6093817 * 7/2020

Primary Examiner — Paula Allen Greene

(74) *Attorney, Agent, or Firm* — Georgi Korobanov

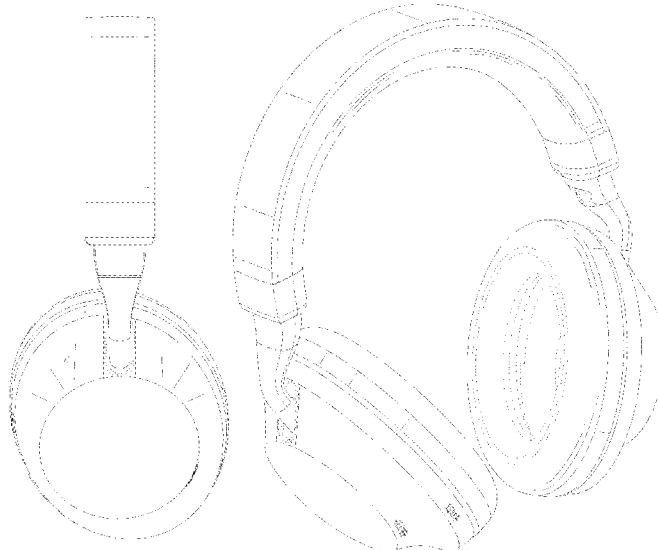
(57) **CLAIM**

The ornamental design for headset, as shown and described.

DESCRIPTION

FIG. 1 is a front view thereof;
FIG. 2 is a left side view thereof;
FIG. 3 is a bottom view thereof;
FIG. 4 is a top view thereof;
FIG. 5 is a rear view thereof.
FIG. 6 is a perspective view thereof; and,
FIG. 7 is another perspective view of a headset showing my
new design.
The broken line depict portions of the headset that forms no
part of the claimed design.

1 Claim, 6 Drawing Sheets



(56)

References Cited

U.S. PATENT DOCUMENTS

D664,118 S *	7/2012	Tappeiner	D14/205	D852,775 S *	7/2019	Ando	D14/205
D665,775 S *	8/2012	Katsumata	D14/205	D857,652 S *	8/2019	Wang	D14/205
8,295,529 B2 *	10/2012	Petersen	H04R 1/083	D878,327 S *	3/2020	Dhondt	D14/205
			381/374	D913,988 S *	3/2021	Bellham	D14/205
8,325,962 B2 *	12/2012	Ishida	H04R 5/0335	D917,421 S *	4/2021	Zheng	D14/206
			381/384	D920,955 S *	6/2021	Shimada	D14/206
8,737,668 B1 *	5/2014	Blair	H04R 1/1066	D927,451 S *	8/2021	Paterson	D14/206
			381/378	D952,599 S *	5/2022	Bellham	D14/206
D724,561 S *	3/2015	Ko	D14/205	D961,548 S *	8/2022	Yang	D14/206
D743,369 S *	11/2015	Mackiewicz	D14/205	D969,774 S *	11/2022	Bellham	D14/205
D750,041 S *	2/2016	Birger	D14/205	D976,231 S *	1/2023	Zhou	D14/206
D768,110 S *	10/2016	Suzuki	D14/205	D991,216 S *	7/2023	Peng	D14/206
D772,998 S *	11/2016	Ranjan	D21/793	2008/0069391 A1 *	3/2008	Steyn	H04R 1/1091
D773,434 S *	12/2016	Wu	D14/205				381/371
D812,035 S *	3/2018	Petersen	D14/205	2018/0048952 A1 *	2/2018	Hong	H04R 1/02
D816,061 S *	4/2018	Ando	D14/205	2019/0110122 A1 *	4/2019	Zelnick	H04R 1/1066
D838,687 S *	1/2019	Wu	D14/205	2019/0110123 A1 *	4/2019	Baker	H04R 1/1075
D839,236 S *	1/2019	Hardi	D14/205	2021/0037317 A1 *	2/2021	Wahlin	H04R 5/0335
				2022/0116696 A1 *	4/2022	Yang	H04R 5/0335
				2022/0337932 A1 *	10/2022	Huang	H04R 5/0335

* cited by examiner



FIG. 1

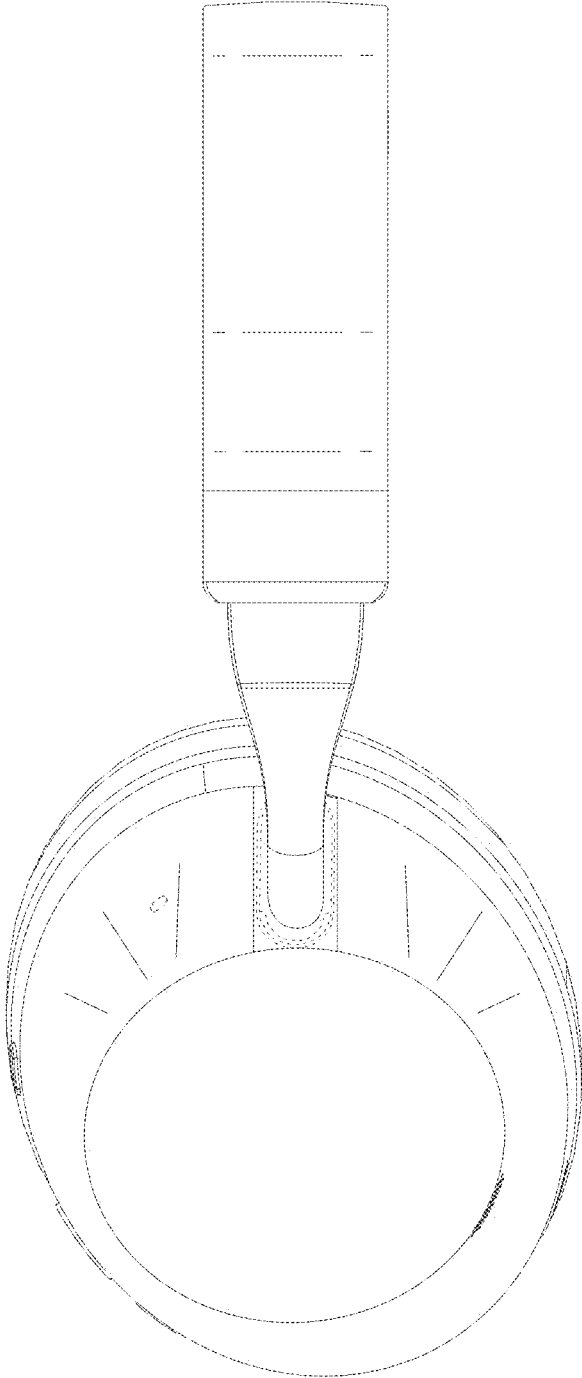


FIG. 2

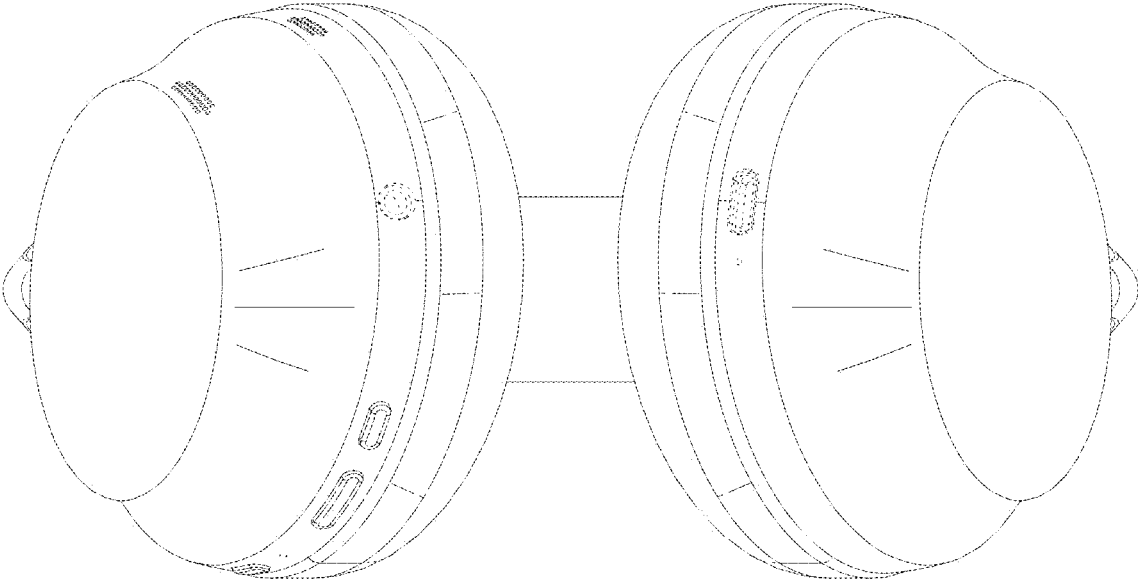


FIG. 3

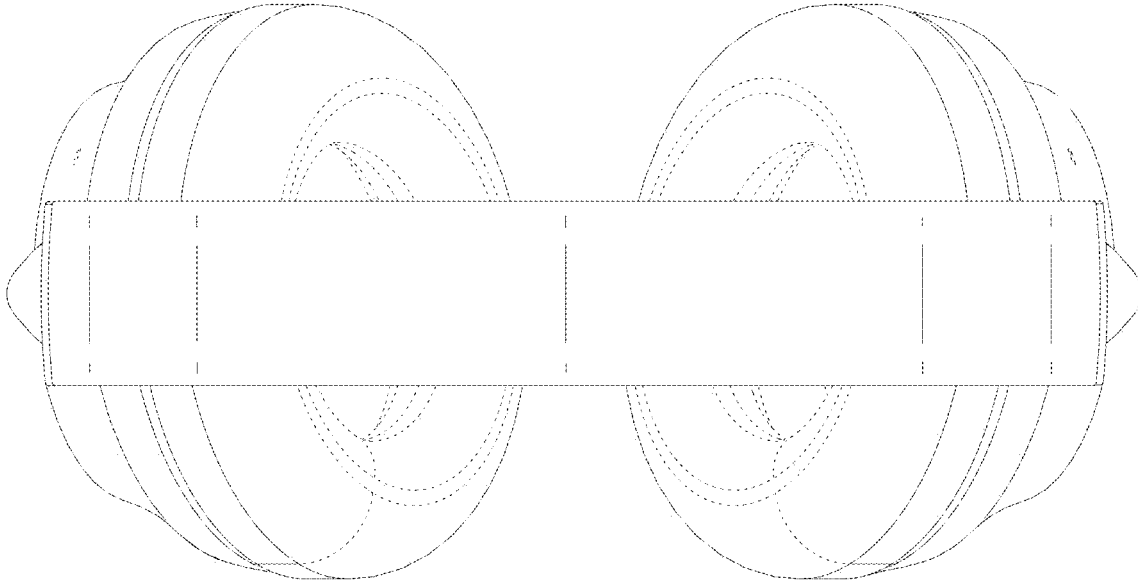


FIG. 4



FIG. 5

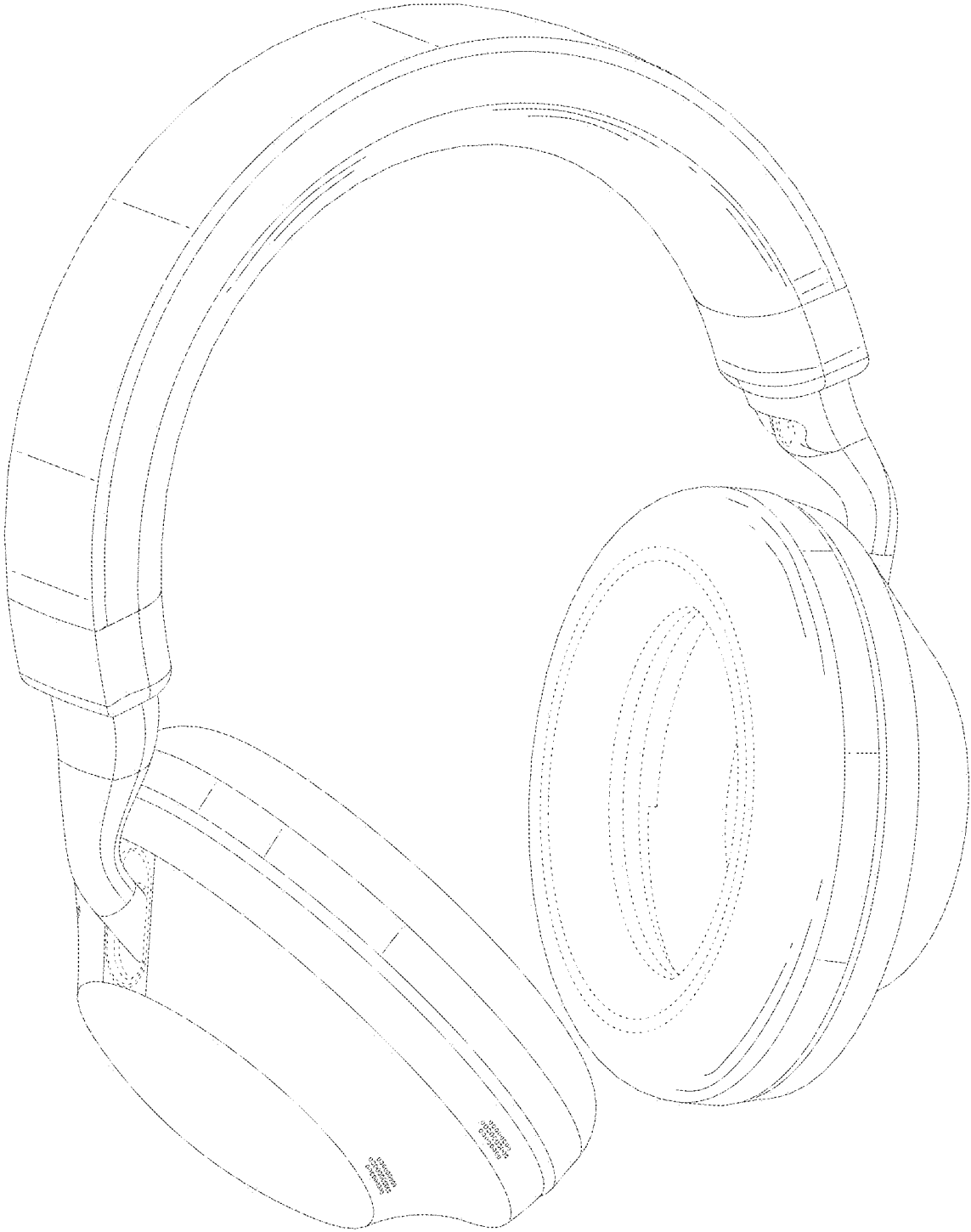


FIG. 6

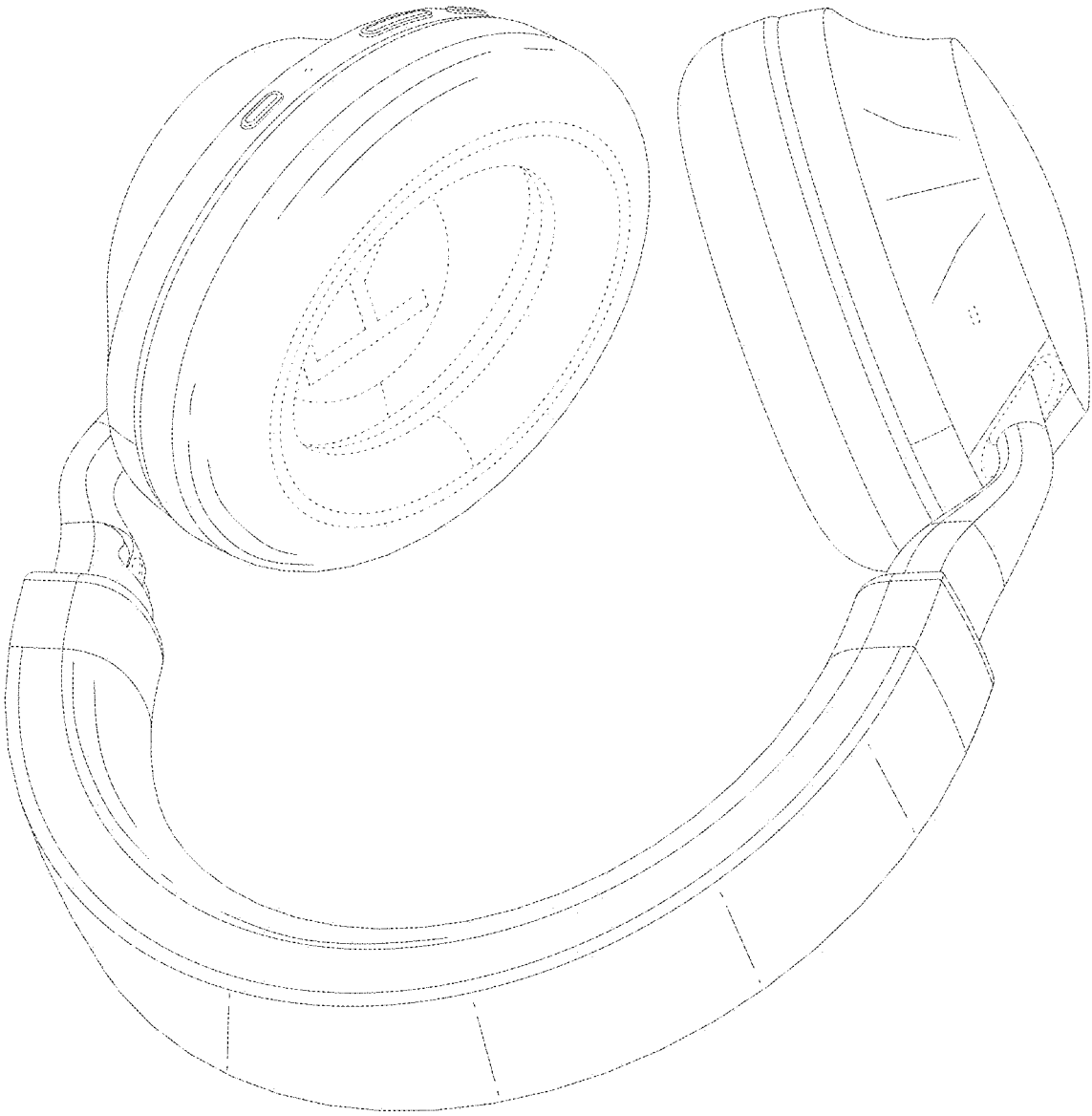


FIG. 7