



US00D736189S

(12) **United States Design Patent**
Cooper et al.

(10) **Patent No.:** **US D736,189 S**

(45) **Date of Patent:** **** Aug. 11, 2015**

(54) **MOUNT**

(71) Applicant: **Freedman Electronics Pty. Ltd.**,
Silverwater, NSW (AU)

(72) Inventors: **Peter Noel Cooper**, Bronte (AU); **Sun Kyung Sunwoo**, Denistone (AU); **David Anthony Pidcock**, Freshwater (AU)

(73) Assignee: **Freedman Electronics Pty. Ltd.** (AU)

(**) Term: **14 Years**

(21) Appl. No.: **29/480,875**

(22) Filed: **Jan. 30, 2014**

Related U.S. Application Data

(63) Continuation of application No. 29/443,743, filed on Jan. 22, 2013, now Pat. No. Des. 710,831.

(51) **LOC (10) Cl.** **14-01**

(52) **U.S. Cl.**
USPC **D14/229**

(58) **Field of Classification Search**
USPC D14/224, 225, 226, 229; D8/394, 396;
381/111, 122, 361, 368
CPC . G10H 3/146; G10H 3/143; G10H 2220/525;
G10H 2230/275; G10D 13/024; F16M 11/12;
F16M 11/14; F16M 1/04; F16M 13/02;
F16C 11/106; F16C 11/0614; F16C 11/0619;
F16C 11/06; F16C 11/0623; B62D 7/16;
A61G 13/101; A61G 13/121; B66C 23/62;
F16L 37/18; F16L 37/05; F16L 37/16
See application file for complete search history.

(56) **References Cited**

U.S. PATENT DOCUMENTS

4,194,096 A * 3/1980 Ramsey 381/368
4,514,598 A * 4/1985 Plice 381/368
4,546,950 A * 10/1985 Cech 248/610
4,991,220 A * 2/1991 Wolf 381/368

6,459,802 B1 * 10/2002 Young 381/368
D605,183 S * 12/2009 Fleischer et al. D14/227
D619,452 S * 7/2010 Ollila D8/396
8,054,336 B2 * 11/2011 Vanderwilt et al. 348/211.14
8,121,333 B2 * 2/2012 Woolf et al. 381/368
D676,428 S * 2/2013 Trewartha et al. D14/225
D687,420 S * 8/2013 Trewartha et al. D14/225
8,783,636 B2 * 7/2014 Okita 248/316.3
D710,831 S * 8/2014 Cooper et al. D14/229
D711,718 S * 8/2014 Francaviglia D8/72
D719,140 S * 12/2014 Sanhui D14/225
D723,363 S * 3/2015 Symons D8/396
2007/0195983 A1 * 8/2007 Klemme 381/362
2009/0016558 A1 * 1/2009 Woolf et al. 381/368
2010/0239113 A1 * 9/2010 Browne 381/361
2013/0061430 A1 * 3/2013 Okita et al. 24/303
2014/0233764 A1 * 8/2014 Mathis 381/122
2014/0270311 A1 * 9/2014 Parker et al. 381/361

OTHER PUBLICATIONS

Sennheiser, MKE400, Apr. 2008.

* cited by examiner

Primary Examiner — Carla Jobe Wright

Assistant Examiner — Holly E Thurman

(74) *Attorney, Agent, or Firm* — Saidman DesignLaw Group, LLC

(57) **CLAIM**

The ornamental design for a mount, as shown and described.

DESCRIPTION

FIG. 1 is a top, front perspective view of a mount showing our new design;

FIG. 2 is a bottom, rear perspective view thereof;

FIG. 3 is a right side view thereof;

FIG. 4 is a left side view thereof;

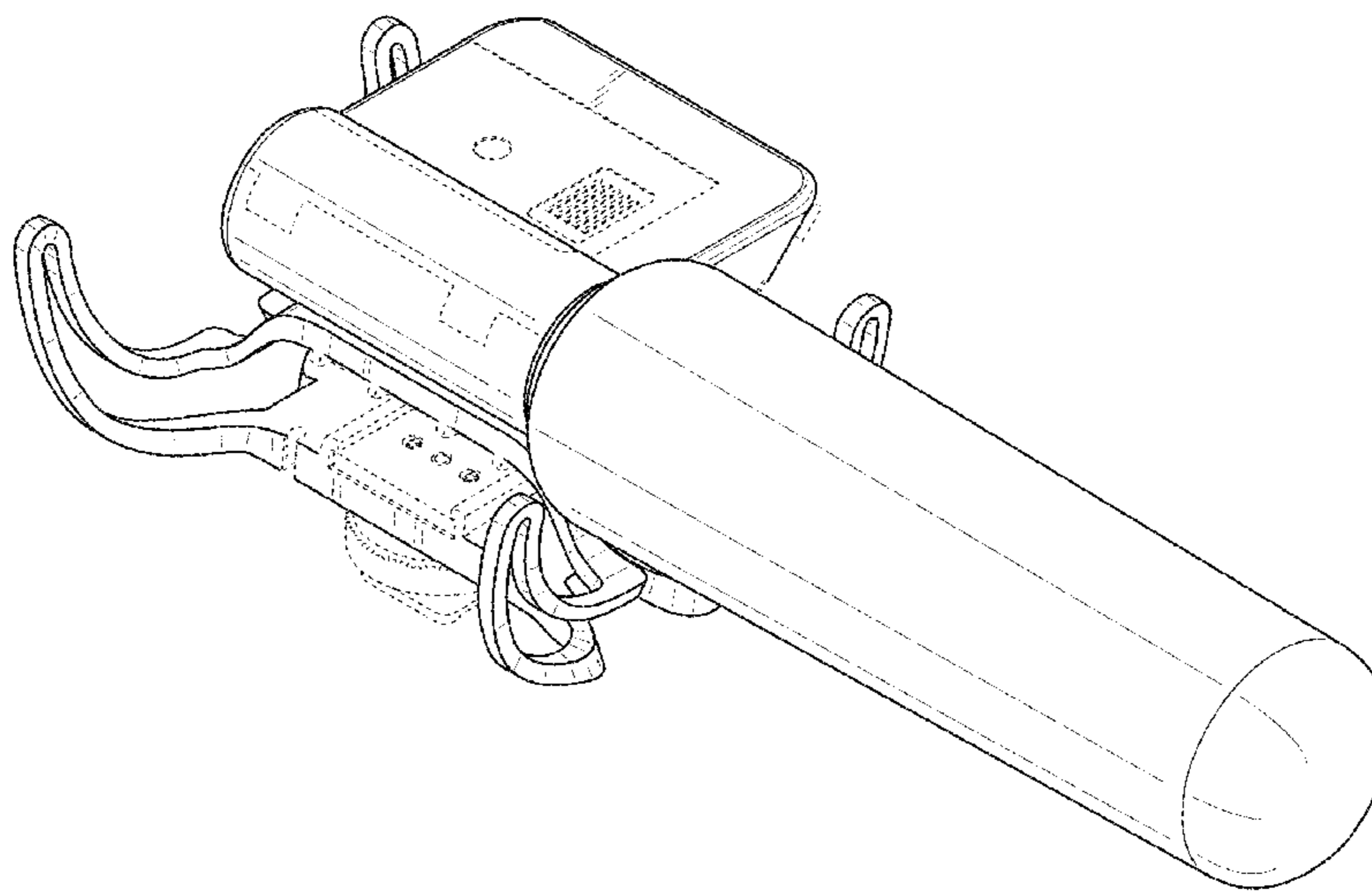
FIG. 5 is a front view thereof;

FIG. 6 is a rear view thereof;

FIG. 7 is a top view thereof; and,

FIG. 8 is a bottom view thereof.

1 Claim, 7 Drawing Sheets



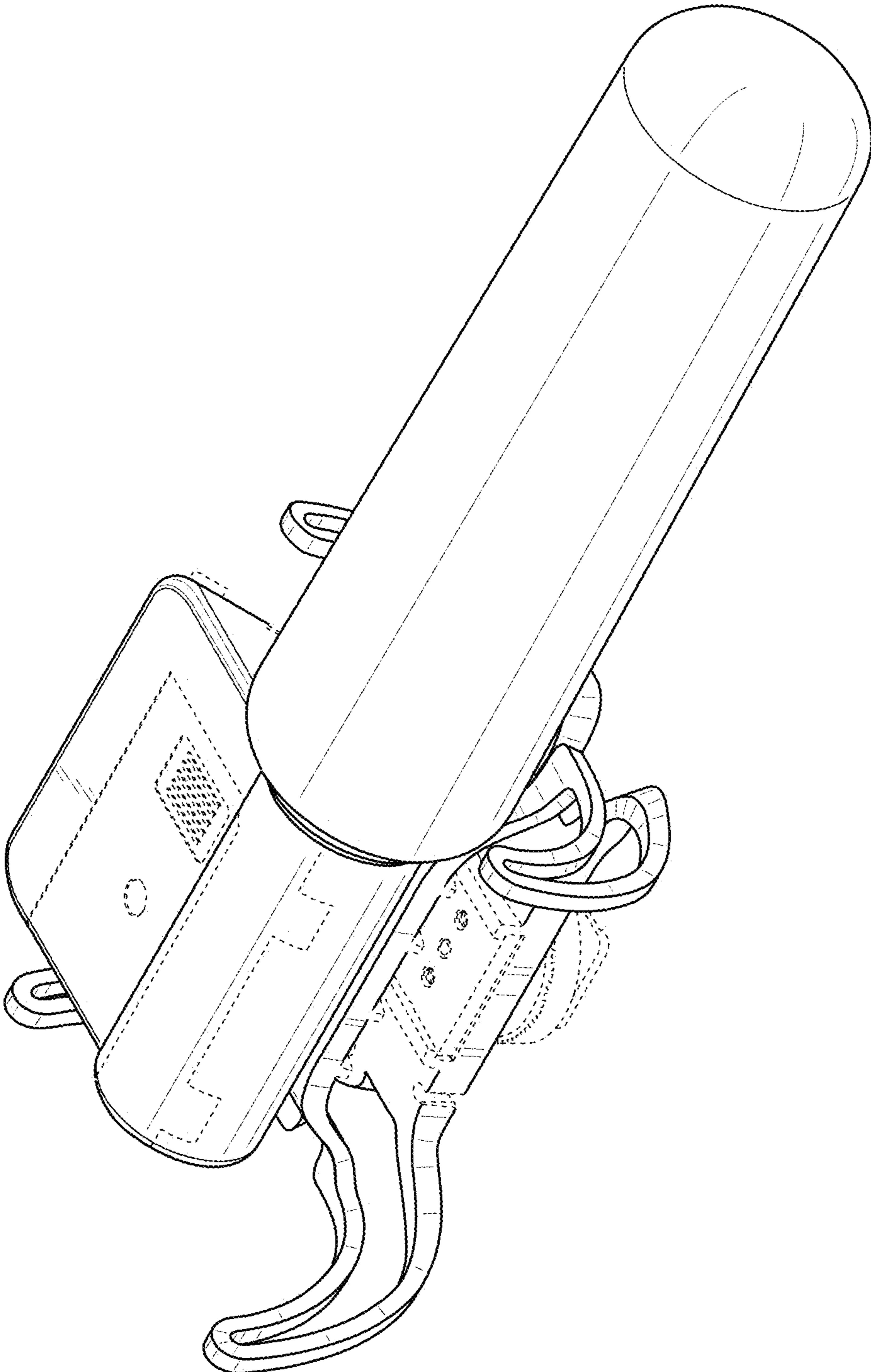


Fig. 1

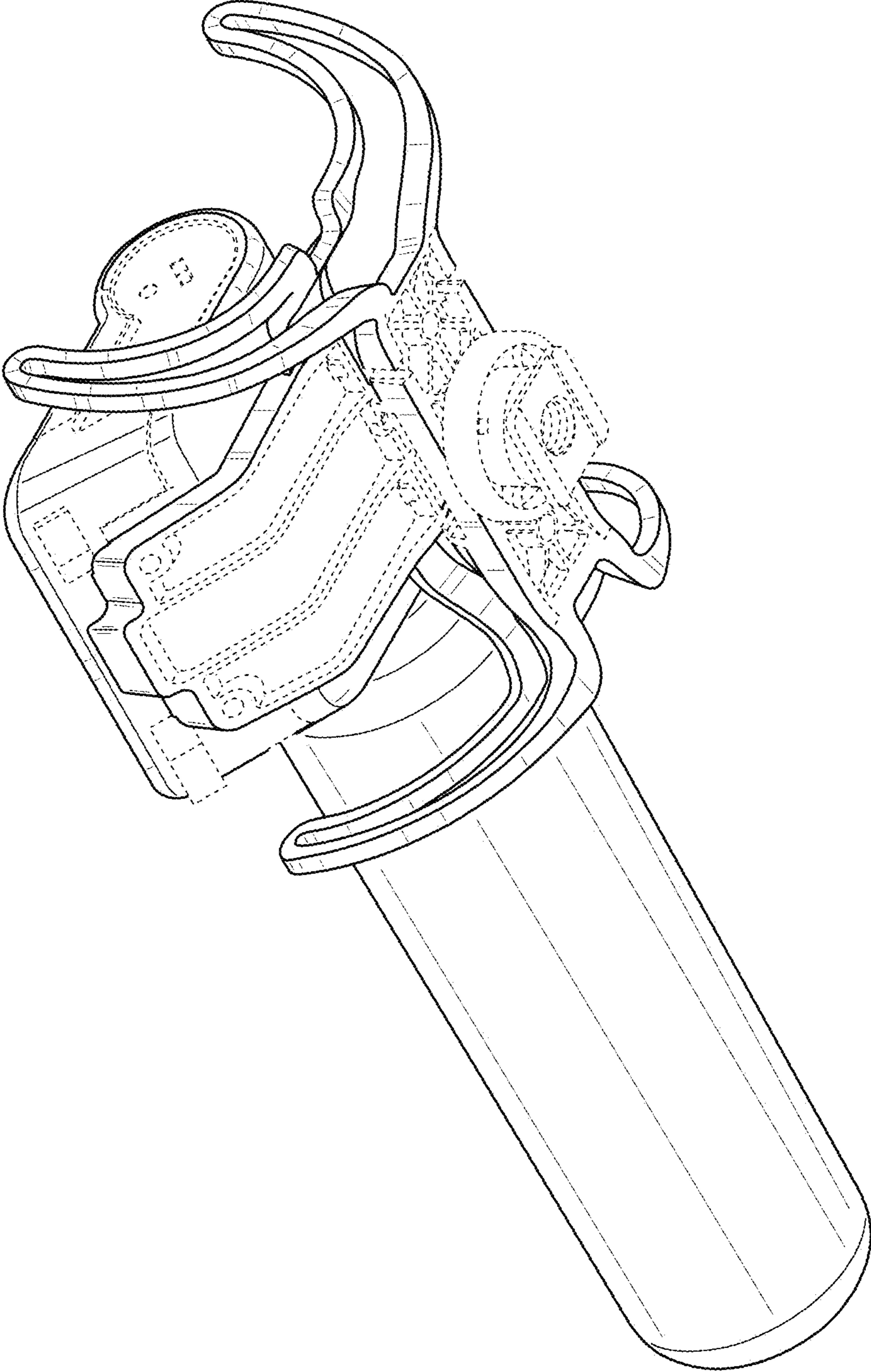


Fig. 2

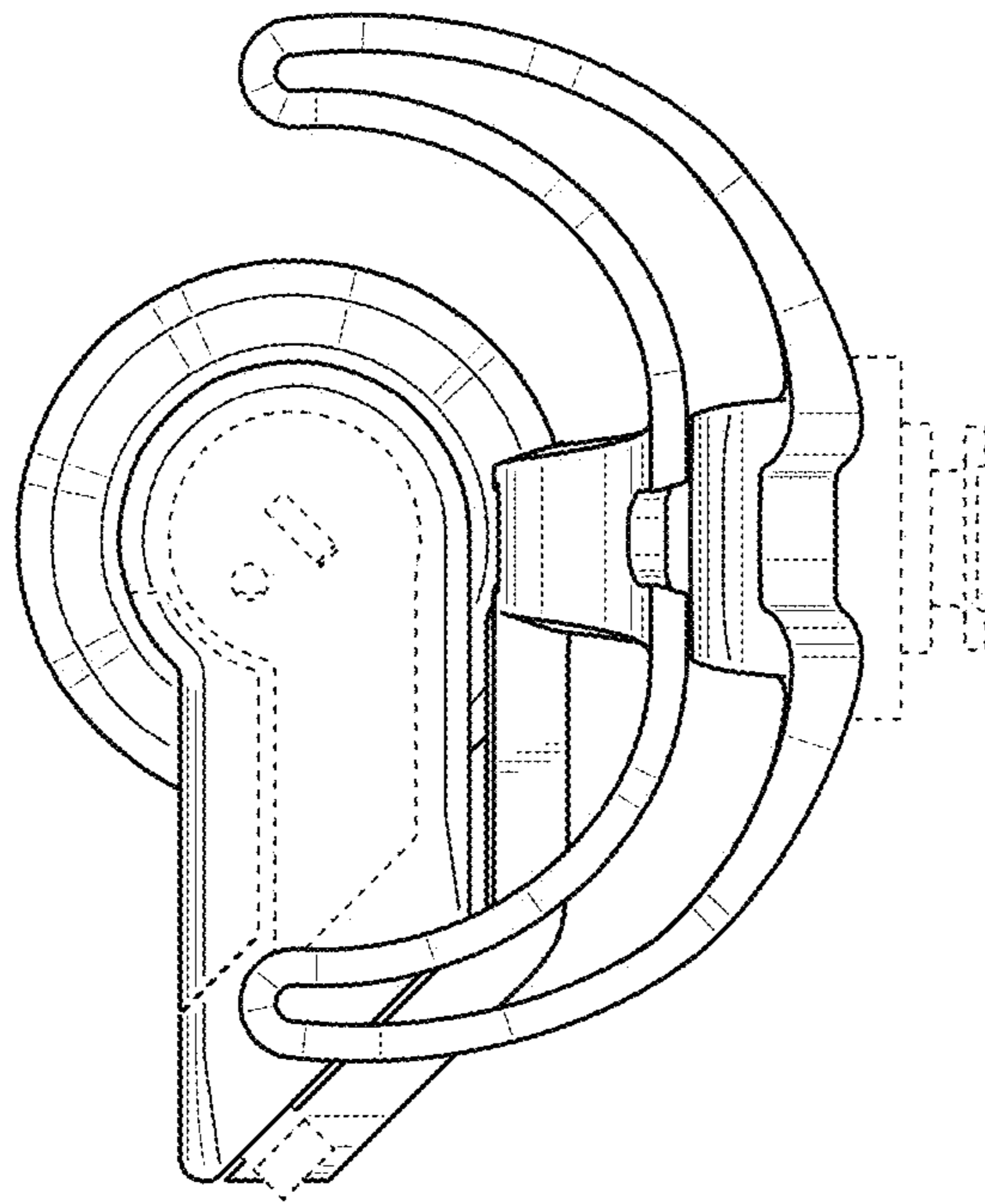


Fig. 4

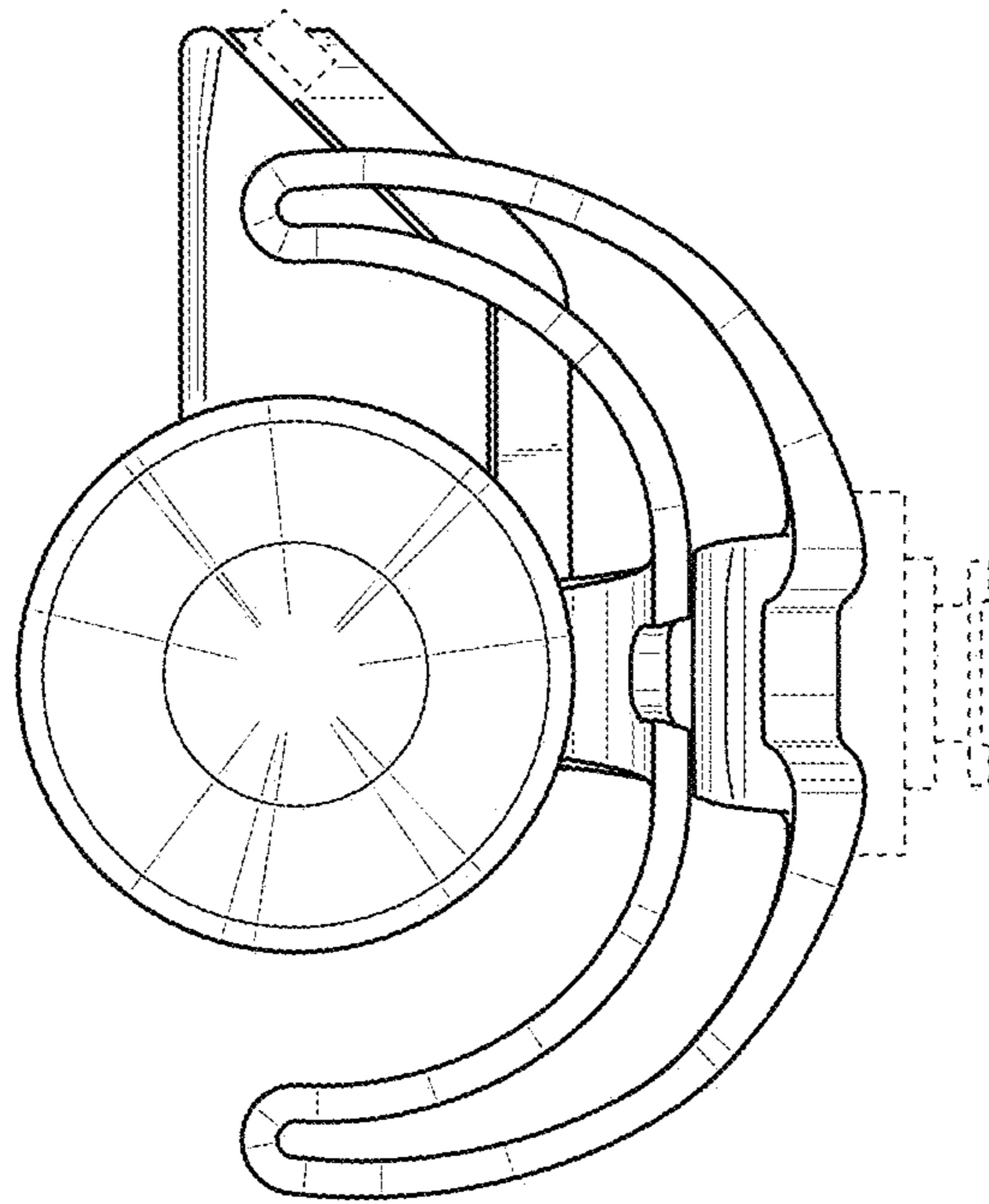


Fig. 3

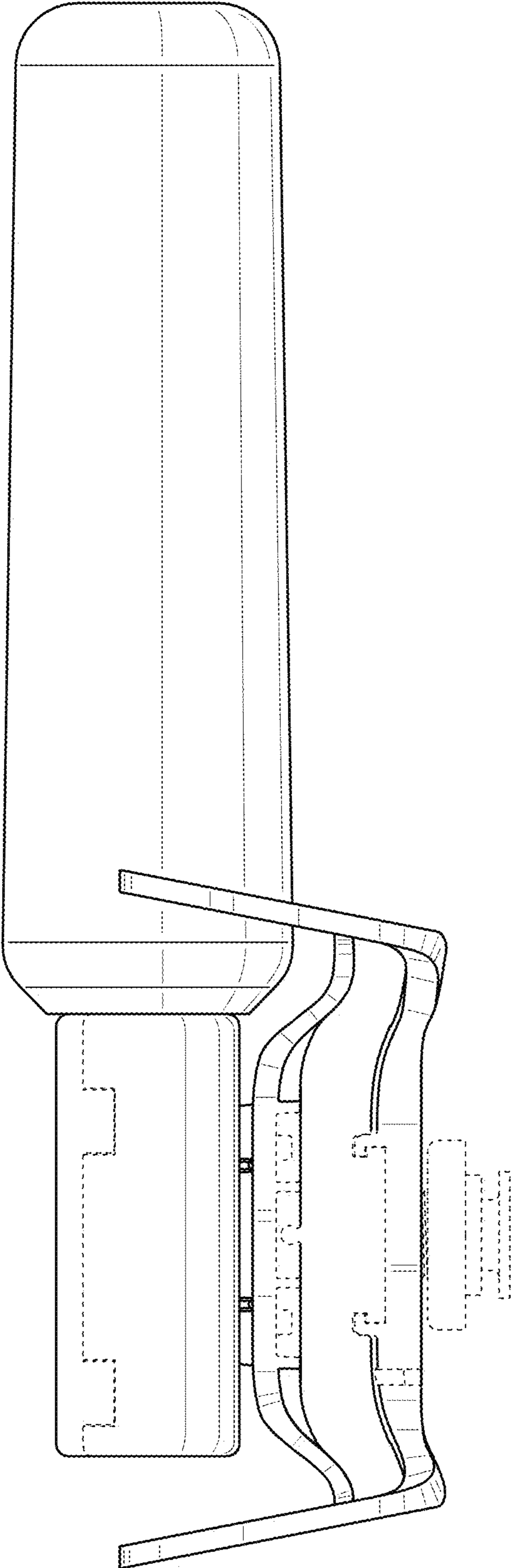


Fig. 5

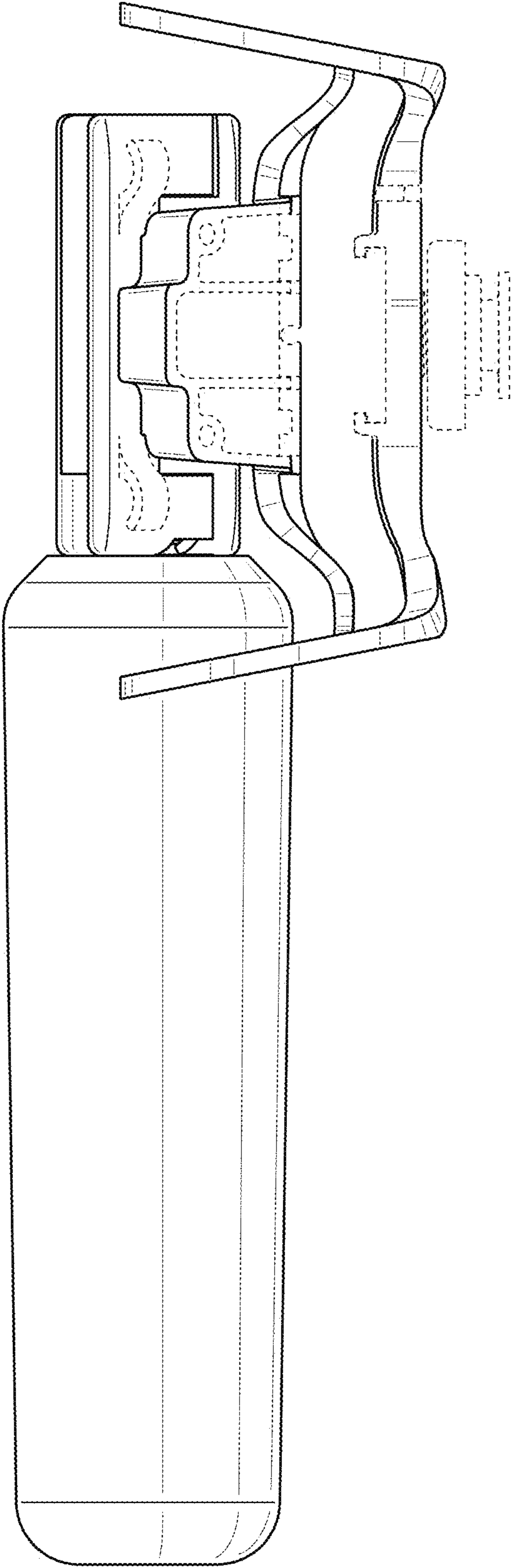


Fig. 6

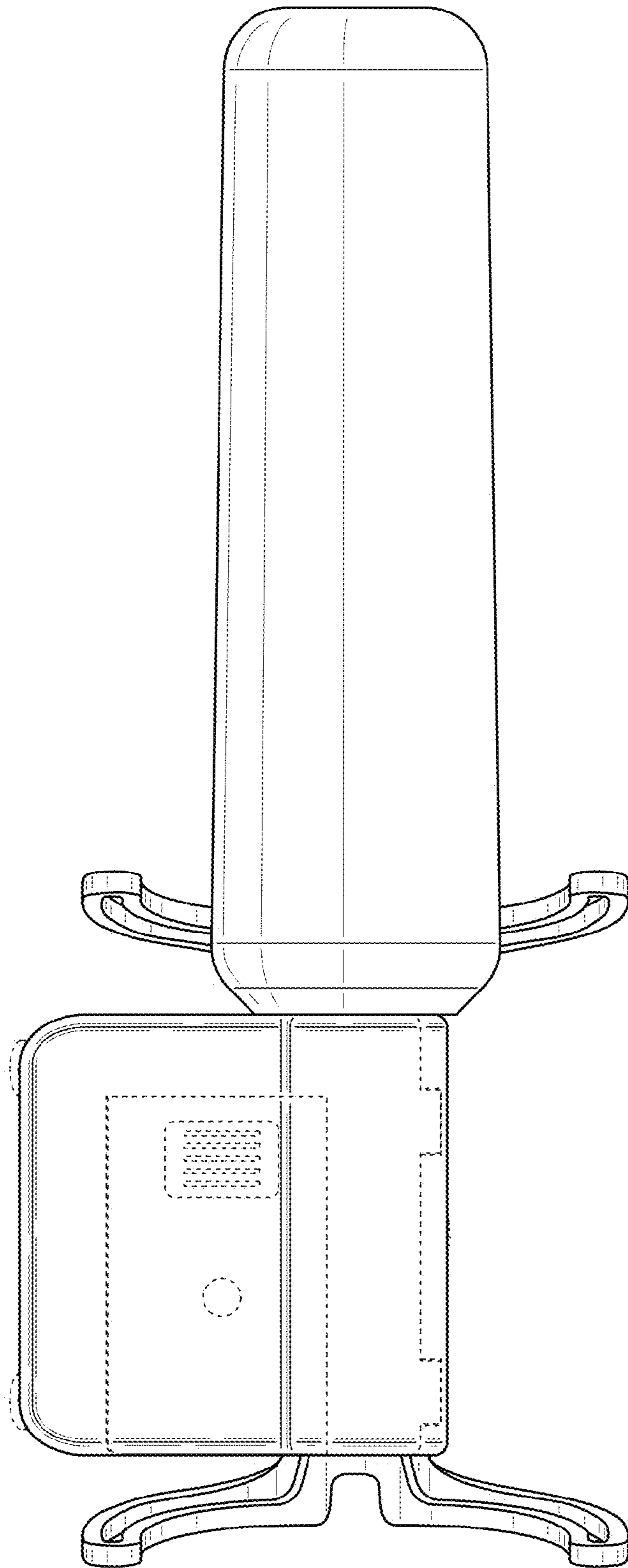


Fig. 7

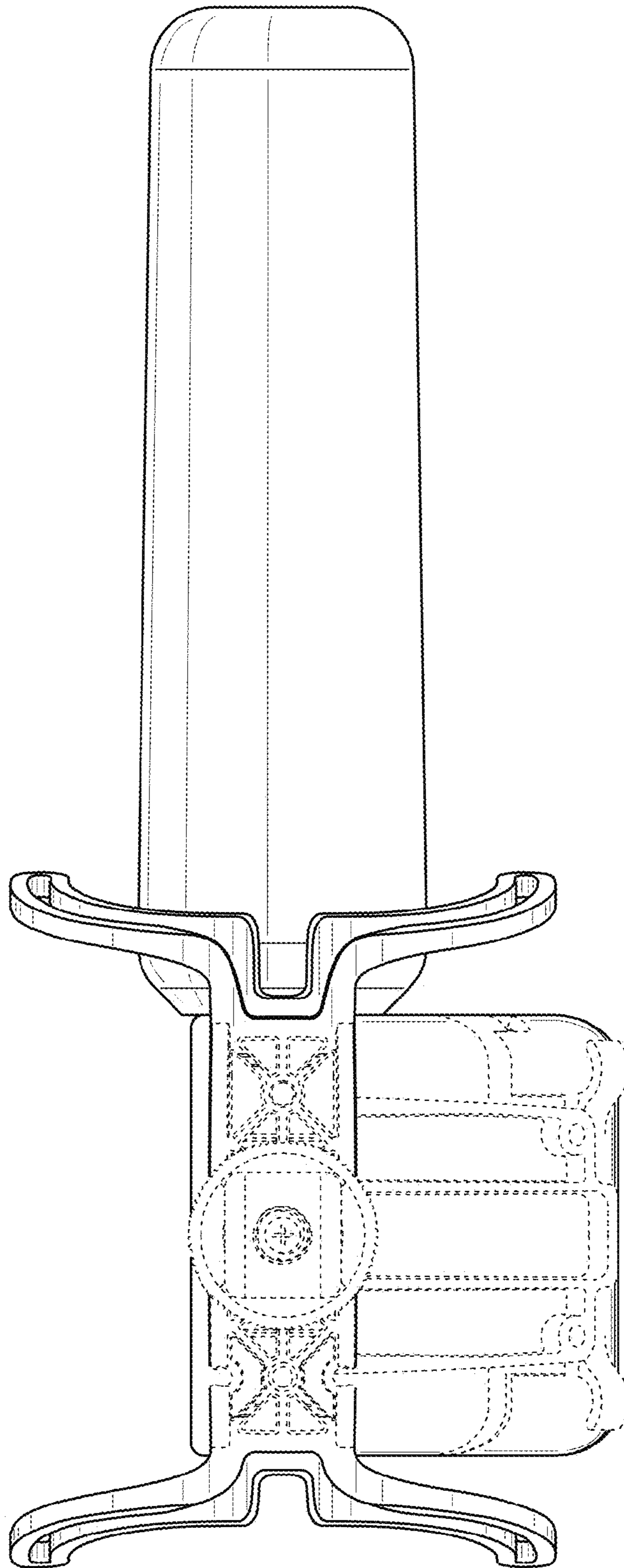


Fig. 8