



(12) **United States Design Patent**  
**Yang**

(10) **Patent No.:** **US D900,051 S**  
(45) **Date of Patent:** **\*\* Oct. 27, 2020**

(54) **BASE UNIT FOR A COMMUNICATIONS DEVICE**

(57) **CLAIM**

The ornamental design for a base unit for a communications device, as shown and described.

(71) Applicant: **Plantronics, Inc.**, Santa Cruz, CA (US)

**DESCRIPTION**

(72) Inventor: **Joseph W Yang**, San Jose, CA (US)

FIG. 1 is a top-front- left perspective view of a base unit for a communications device showing my new design;

(73) Assignee: **Plantronics, Inc.**, Santa Cruz, CA (US)

FIG. 2 is a back-right perspective view thereof;

(\*\*) Term: **15 Years**

FIG. 3 is a front view thereof;

(21) Appl. No.: **29/663,312**

FIG. 4 is a back view thereof;

(22) Filed: **Sep. 13, 2018**

FIG. 5 is a left-side view thereof;

(51) **LOC (12) Cl.** ..... **14-03**

FIG. 6 is a right-side view thereof;

(52) **U.S. Cl.**

FIG. 7 is a top view thereof;

USPC ..... **D14/150**

FIG. 8 is a bottom view thereof;

(58) **Field of Classification Search**

FIG. 9 is a top-front- left perspective view of a base unit for a communications device showing a second embodiment of my new design;

USPC ... D14/140, 140.1, 140.7, 140.8, 141.2, 142, 144/144, 147, 148, 149, 150, 151, 158,

FIG. 10 is a back-right perspective view thereof;

(Continued)

FIG. 11 is a front view thereof;

(56) **References Cited**

FIG. 12 is a back view thereof;

**U.S. PATENT DOCUMENTS**

FIG. 13 is a left-side view thereof;

D291,567 S \* 8/1987 Read ..... D14/149

FIG. 14 is a right-side view thereof;

D294,694 S \* 3/1988 Steward ..... D14/130

FIG. 15 is a top view thereof;

(Continued)

FIG. 16 is a bottom view thereof;

**FOREIGN PATENT DOCUMENTS**

FIG. 17 is a top-front- left perspective view of a base unit for a communications device showing a third embodiment of my new design;

CN 304898860 S 11/2018

FIG. 18 is a back-right perspective view thereof;

TW D176839 S 7/2016

FIG. 19 is a front view thereof;

**OTHER PUBLICATIONS**

FIG. 20 is a back view thereof;

Telephone base units. (Design—© Questel) orbit.com. [online PDF] 29 pgs. Print Dates Range from Jun. 6, 2019 through Dec. 24, 2019. [retrieved Feb. 27, 2020] <https://www.orbit.com/export/QPTUJ214/pdf2/02d0dda1-a3ec-4f02-b777-5b9f67cff02b-164926.pdf>.\*

FIG. 21 is a left-side view thereof;

(Continued)

FIG. 22 is a right-side view thereof;

FIG. 23 is a top view thereof;

FIG. 24 is a bottom view thereof;

FIG. 25 is a top-front- left perspective view of a base unit for a communications device showing a fourth embodiment of my new design;

FIG. 26 is a back-right perspective view thereof;

FIG. 27 is a front view thereof;

FIG. 28 is a back view thereof;

FIG. 29 is a left-side view thereof;

FIG. 30 is a right-side view thereof;

FIG. 31 is a top view thereof; and,

(Continued)

*Primary Examiner* — Marie D. Fast Horse

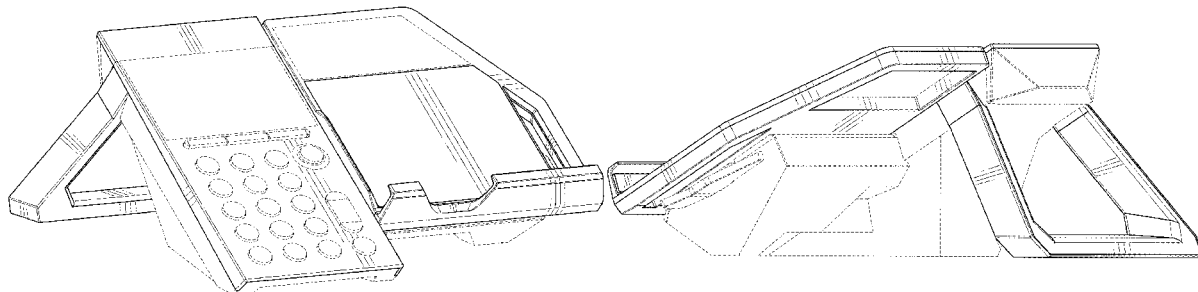


FIG. 32 is a bottom view thereof.

The broken lines shown in dot-dot form depict portions of the base unit for a communications device that form no part of the claimed design.

The broken lines shown in dot-dot-dash form in FIGS. 26 and 28 on the back of the headset cradle define the scope or bounds of the claimed portion of the design.

**1 Claim, 32 Drawing Sheets**

(58) **Field of Classification Search**

USPC ..... D14/159, 188, 217, 240, 243, 247, 248,  
 D14/251, 299, 329, 462, 467, 471, 130,  
 D14/403, 338, 336, 223, 224, 434;  
 D21/517; D24/165; D13/107, 108  
 CPC ..... H04M 1/00; H04M 1/003; H04M 1/02;  
 H04M 1/0289; H04M 1/0297; H04M  
 1/0214; H04M 1/03; H04M 1/23; H04M  
 1/253; H04M 1/2535; H04M 1/06; H04M  
 1/08; H04M 1/04; H04M 1/0202; H04M  
 7/006; G06F 1/1632

See application file for complete search history.

(56) **References Cited**

U.S. PATENT DOCUMENTS

D301,475 S \* 6/1989 Nagele ..... D14/142  
 D303,522 S \* 9/1989 Meda ..... D14/150  
 D303,965 S \* 10/1989 Helstab ..... D14/142  
 D305,537 S \* 1/1990 Gilmore ..... D14/142  
 D307,009 S \* 4/1990 Boykiw ..... D14/149  
 D317,446 S \* 6/1991 Vossoughi ..... D14/374  
 D322,777 S \* 12/1991 Nishio ..... D14/314  
 D323,657 S \* 2/1992 Danielson ..... 379/368  
 D365,560 S \* 12/1995 Buchin ..... D14/151  
 D426,816 S \* 6/2000 Lucente ..... D14/336  
 D520,983 S \* 5/2006 Siebke ..... D14/144  
 D529,477 S \* 10/2006 Hsu ..... D14/151  
 D555,630 S \* 11/2007 Udagawa ..... D14/149  
 D556,180 S \* 11/2007 Udagawa ..... D14/149

D565,020 S \* 3/2008 Daly ..... D14/149  
 D576,998 S \* 9/2008 Furuno ..... D14/151  
 D581,897 S \* 12/2008 Katori ..... D14/151  
 D585,398 S \* 1/2009 Hwang  
 D597,057 S \* 7/2009 Sheppard ..... D14/142  
 D597,058 S \* 7/2009 Sheppard ..... D14/142  
 D598,002 S \* 8/2009 Sheppard ..... D14/142  
 D609,662 S \* 2/2010 Noreng ..... D14/130  
 D609,686 S \* 2/2010 Robinson ..... D14/149  
 D615,515 S \* 5/2010 Hwang ..... D14/130  
 D616,843 S \* 6/2010 Jones ..... D14/130  
 D620,464 S \* 7/2010 Quiros ..... D14/130  
 D629,381 S \* 12/2010 Verthein ..... D14/142  
 D643,825 S \* 8/2011 Hwang ..... D14/130  
 D675,592 S \* 2/2013 Fuxen ..... D14/151  
 D676,016 S \* 2/2013 Akatsu ..... D14/142  
 D686,183 S \* 7/2013 Basart ..... D14/151  
 D686,184 S \* 7/2013 Takahata ..... D14/151  
 D738,845 S \* 9/2015 Kwak ..... D14/151  
 D739,373 S \* 9/2015 Hillenmayer ..... D14/144  
 D757,677 S \* 5/2016 Hutt ..... D14/151  
 D767,527 S \* 9/2016 Hillenmayer ..... D14/140.8  
 D772,836 S \* 11/2016 Engelke ..... D14/151  
 9,548,617 B2 \* 1/2017 Toh ..... H04M 1/04  
 D784,283 S \* 4/2017 Snyder ..... D14/144  
 D785,591 S \* 5/2017 Kwak ..... D14/151  
 9,762,709 B1 \* 9/2017 Snyder ..... H04M 1/02  
 10,455,067 B1 \* 10/2019 Meyberg Guzman .. H04M 1/04  
 D874,422 S \* 2/2020 Yang ..... D14/150  
 2009/0283655 A1 \* 11/2009 Fukuda ..... F16M 11/10  
 248/454  
 2009/0309002 A1 \* 12/2009 Shimotoso ..... H04M 1/12  
 248/397  
 2014/0064477 A1 \* 3/2014 Chiang ..... H04M 1/06  
 379/436  
 2019/0281147 A1 \* 9/2019 Sherburne ..... H04M 1/04

OTHER PUBLICATIONS

Yang, "Base Unit for a Communications Device," Design U.S. Appl. No. 29/639,459, filed Mar. 6, 2018 (20 pages).  
 Taiwan IPO Search Report issued for Taiwan Design Patent No. 108301390, dated Sep. 11, 2019 and English translation thereof (2 pages).

\* cited by examiner

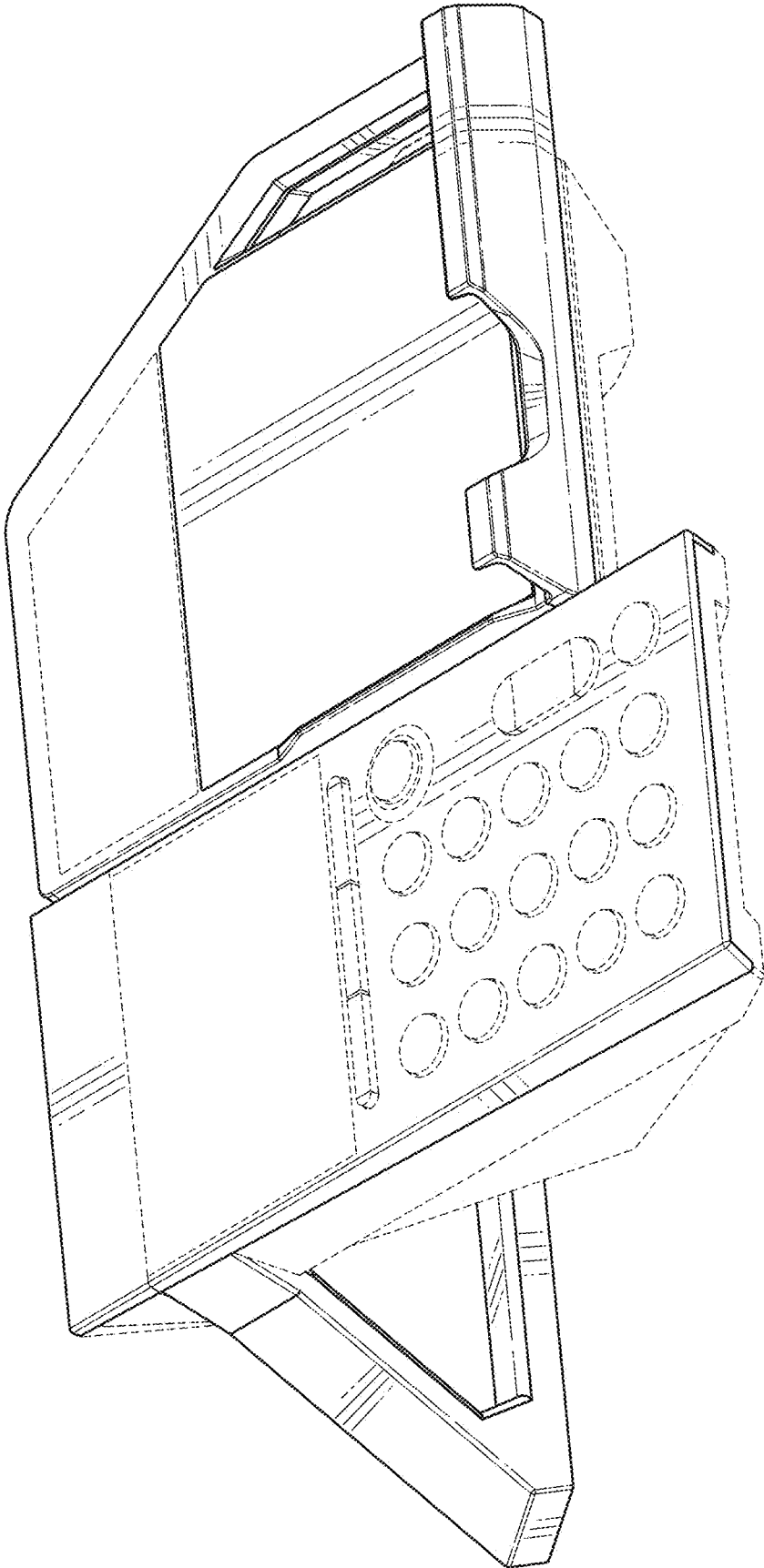


FIG. 1

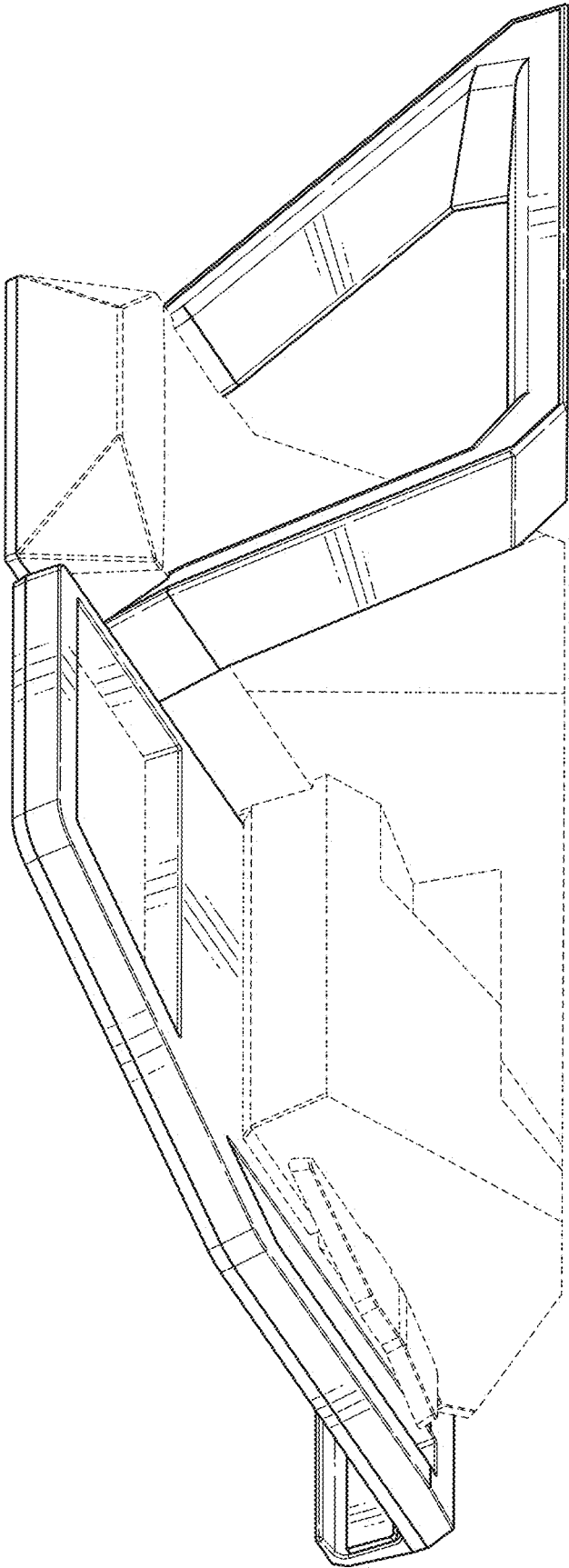


FIG. 2

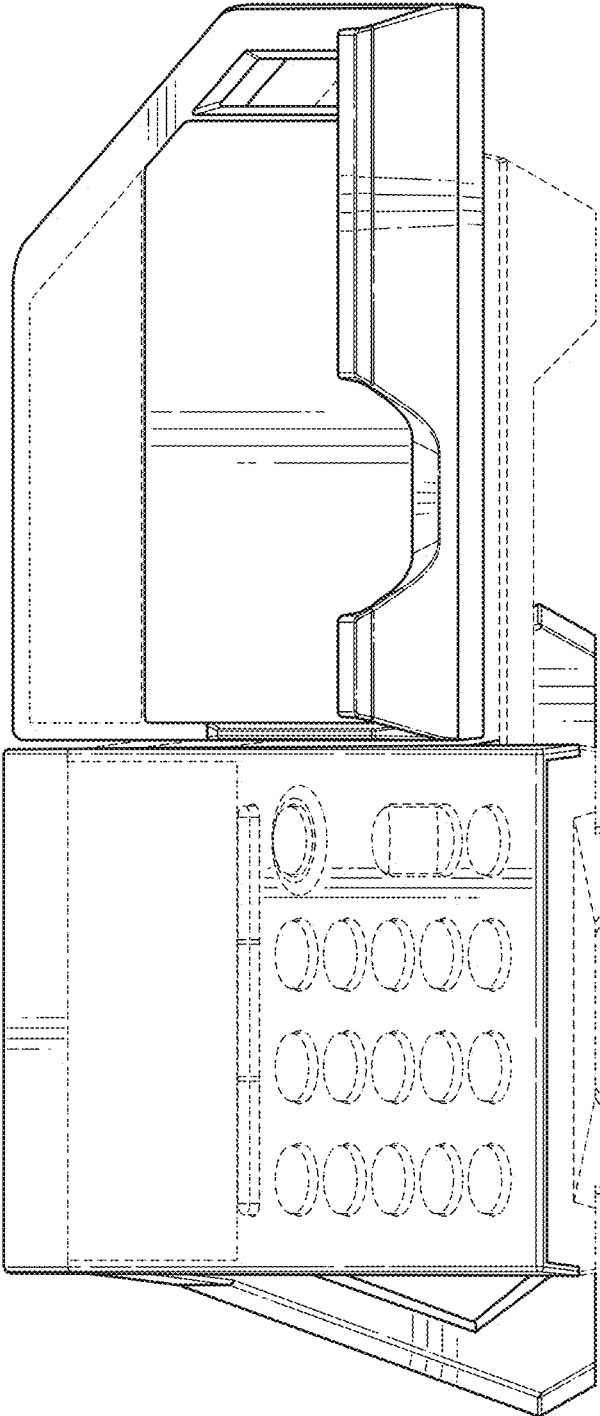


FIG. 3

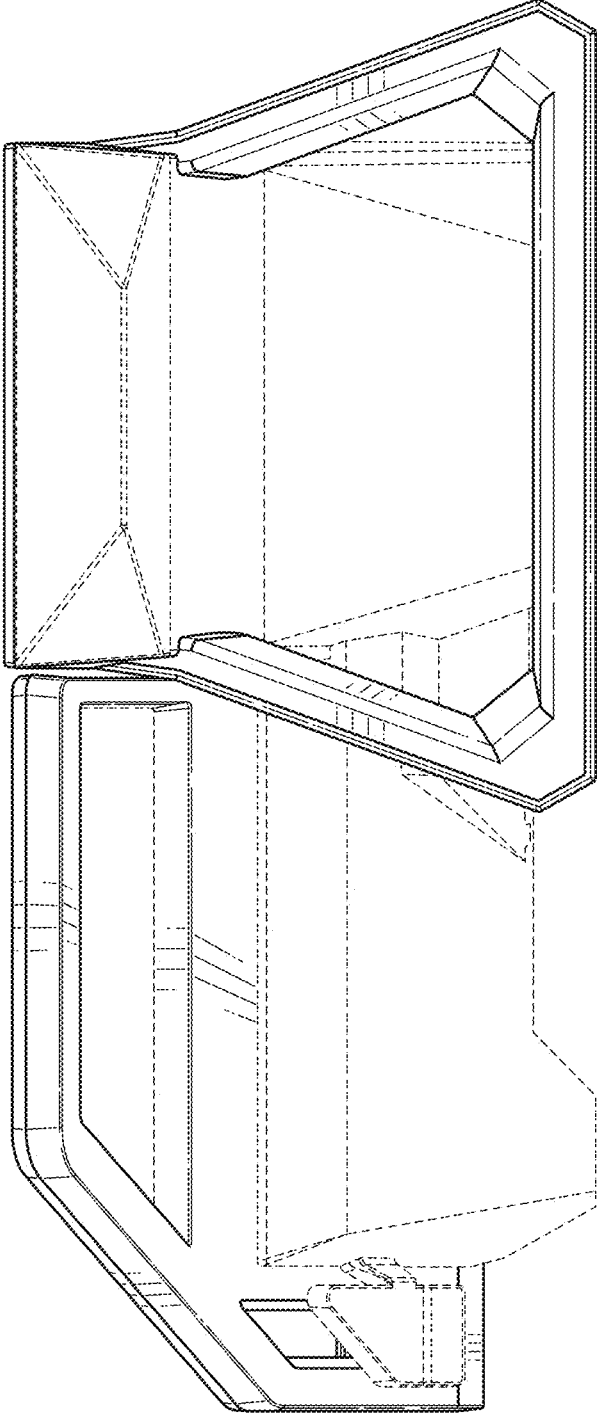


FIG. 4

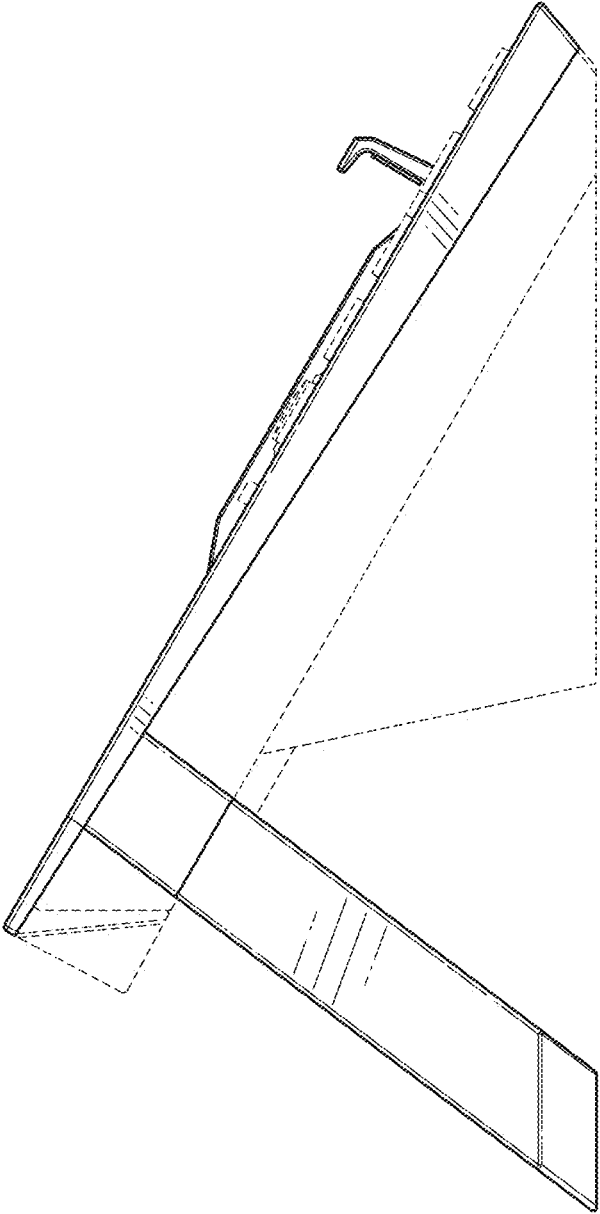


FIG. 5

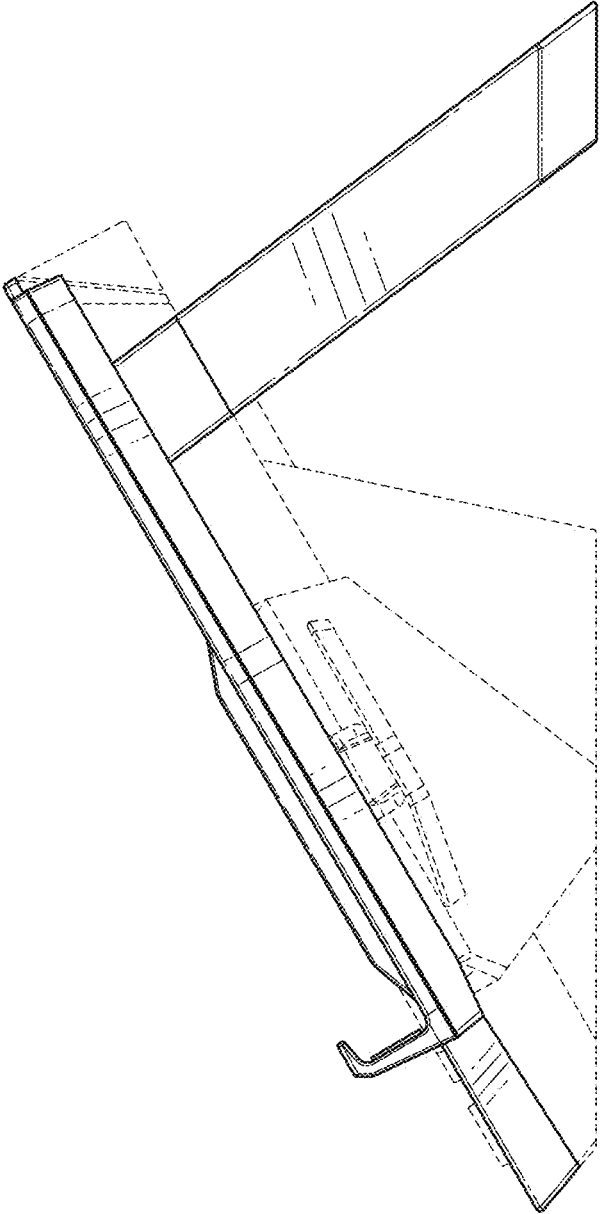


FIG. 6



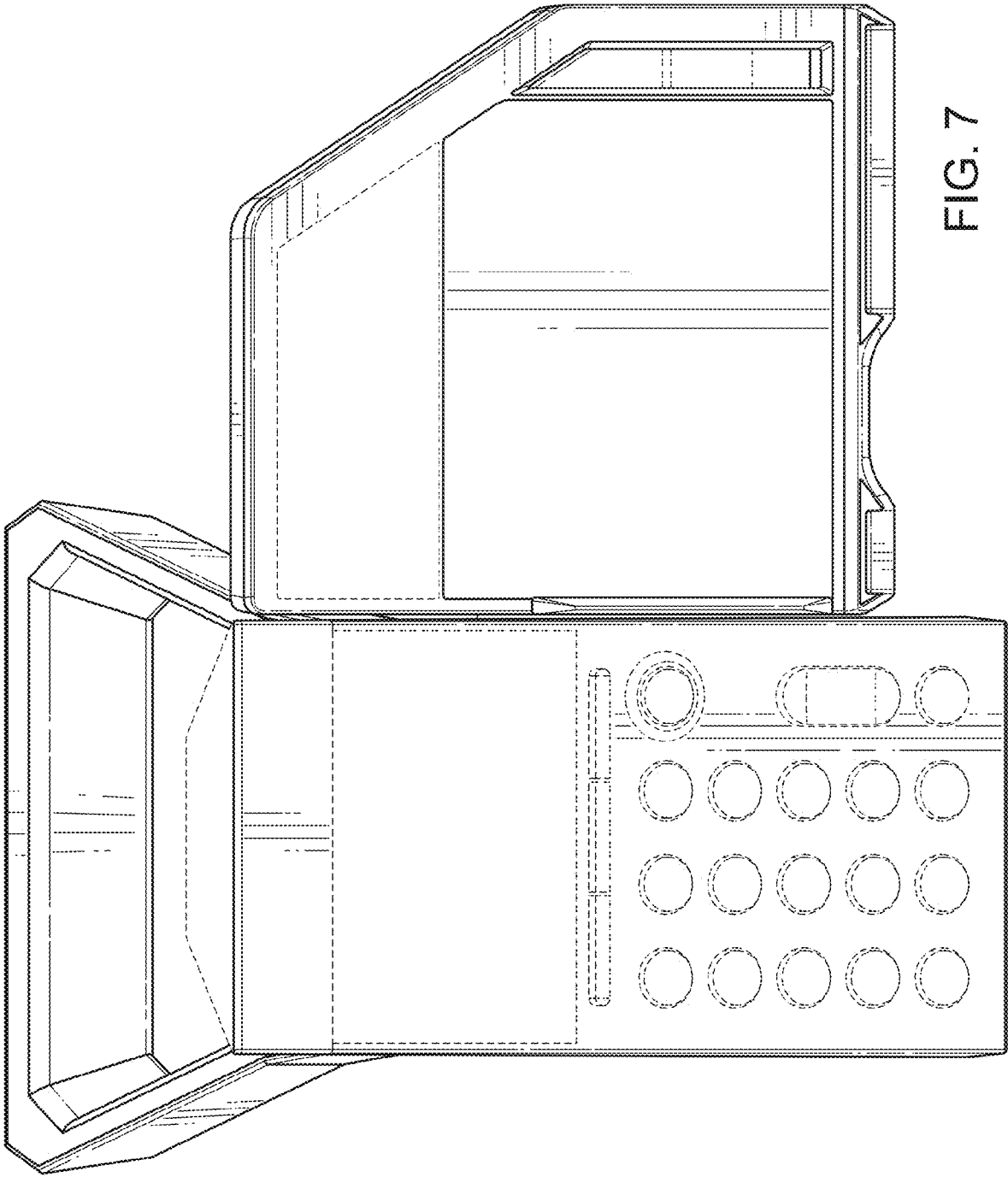


FIG. 7

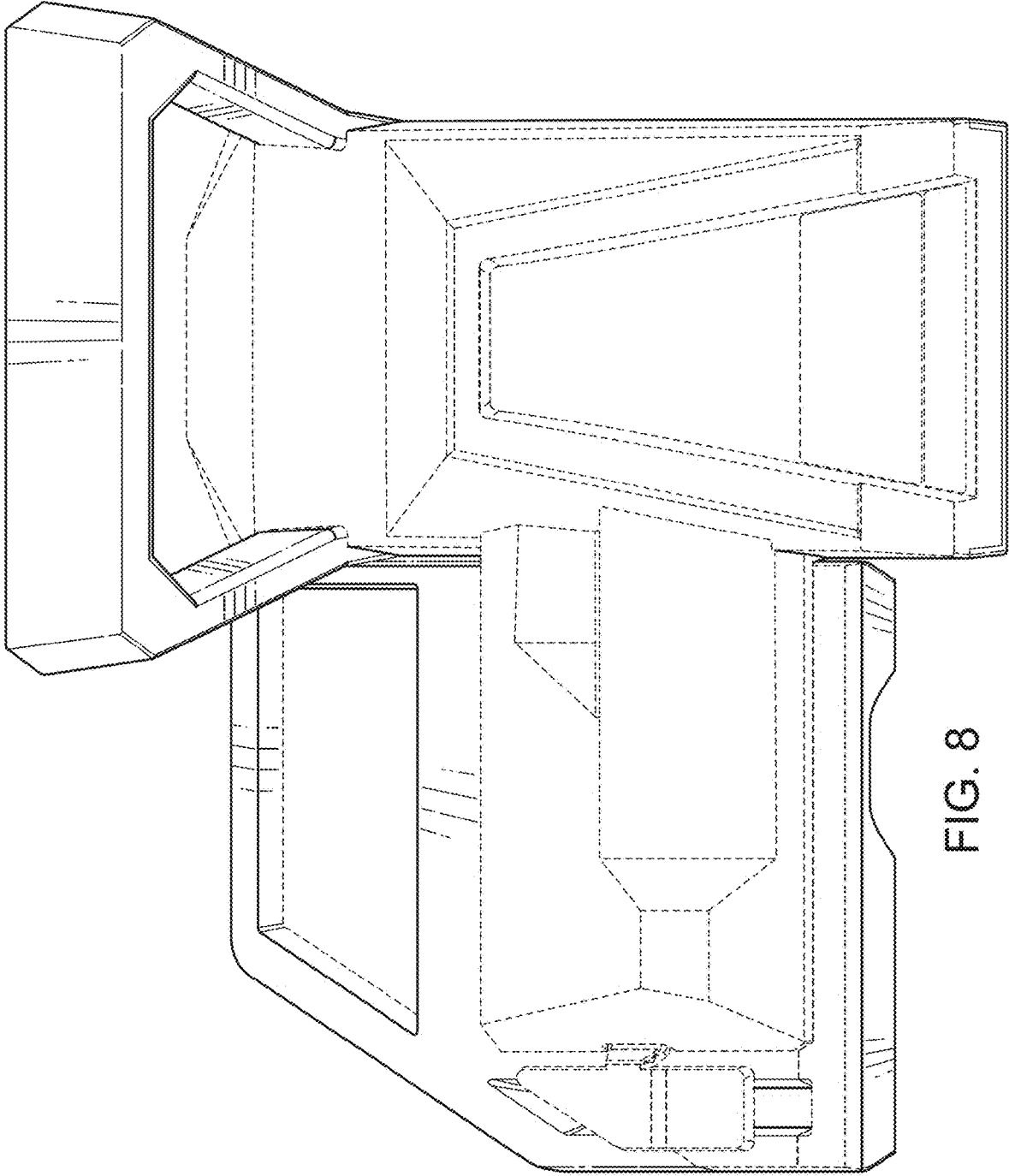


FIG. 8

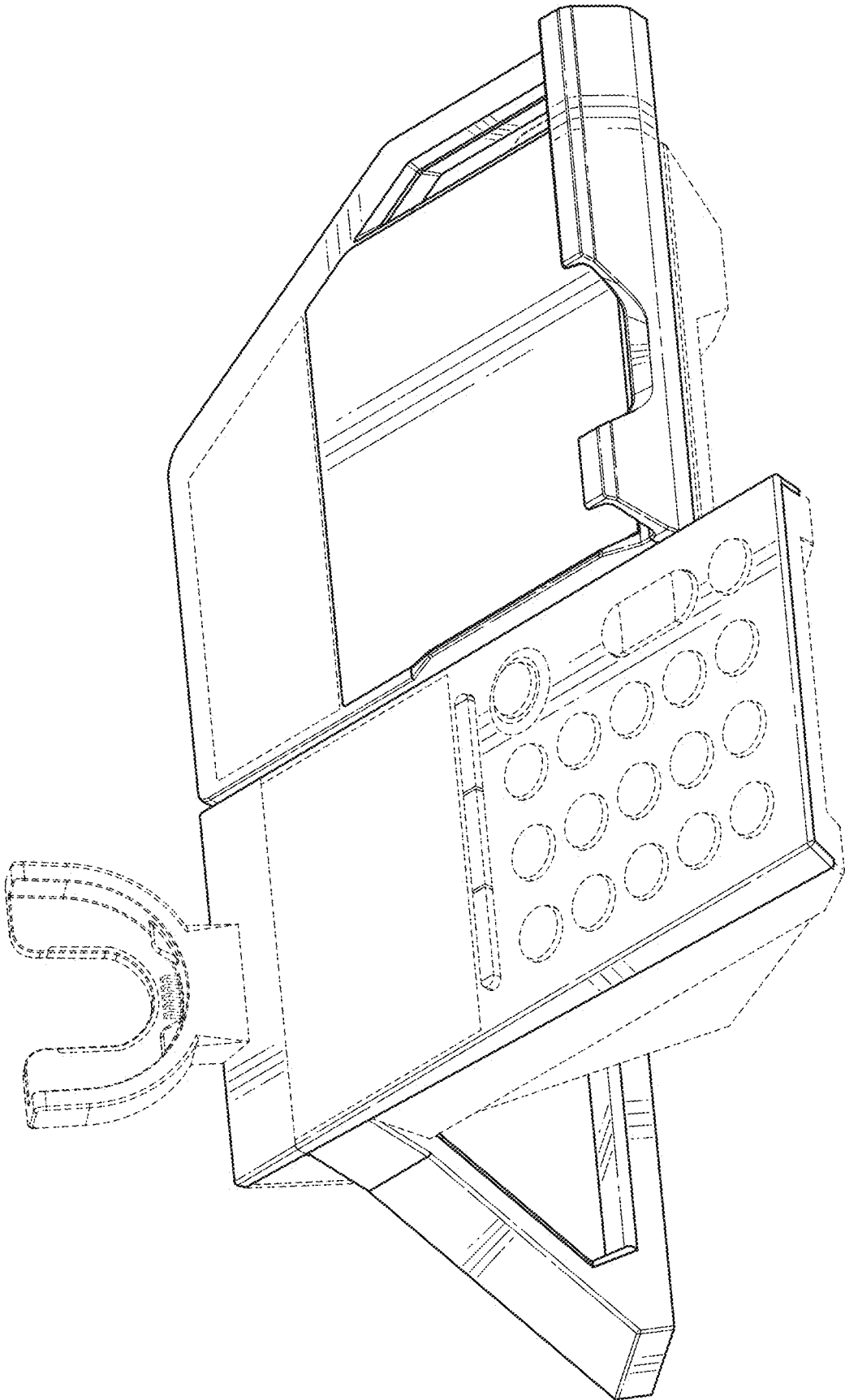


FIG. 9

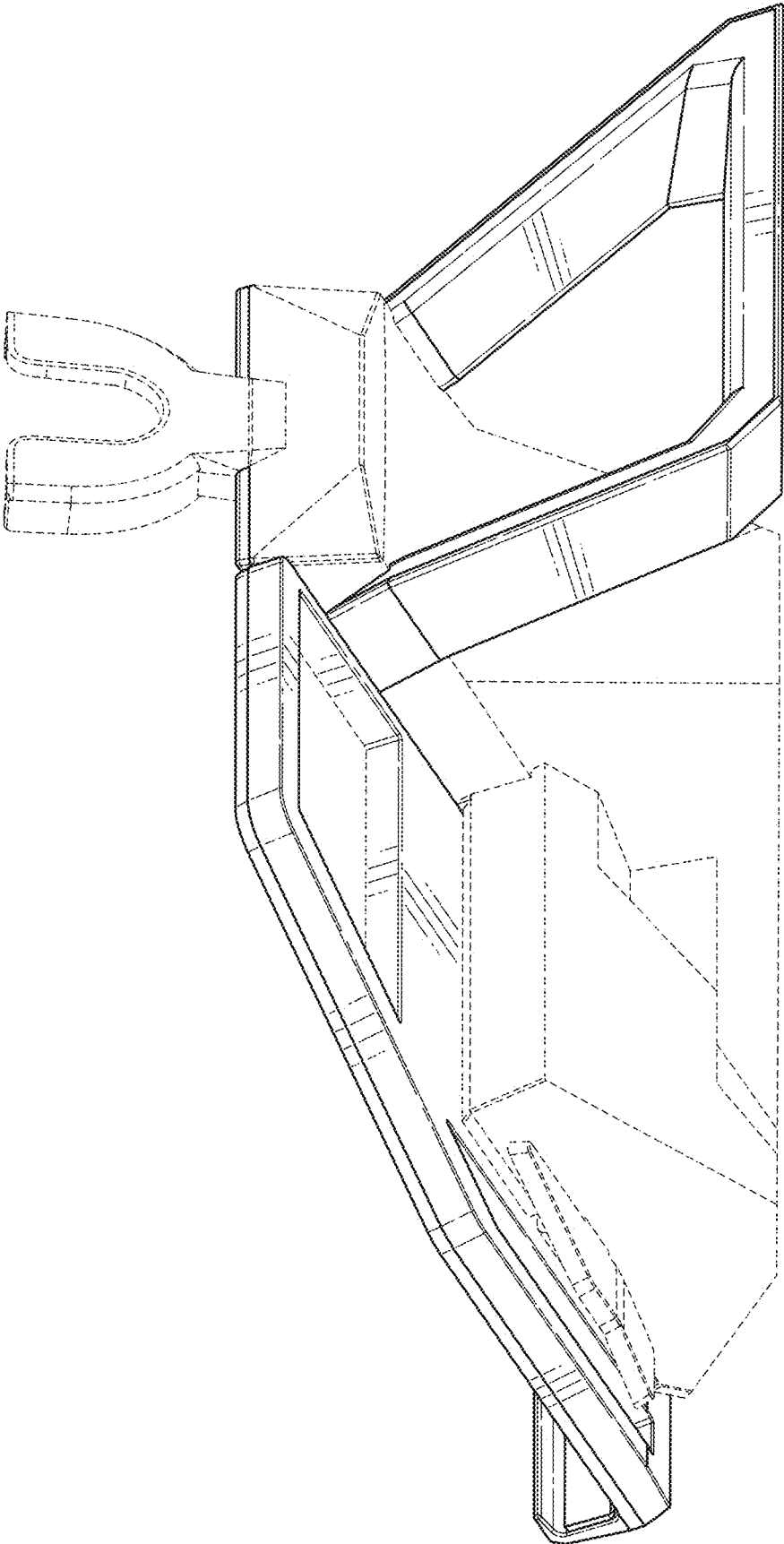


FIG. 10

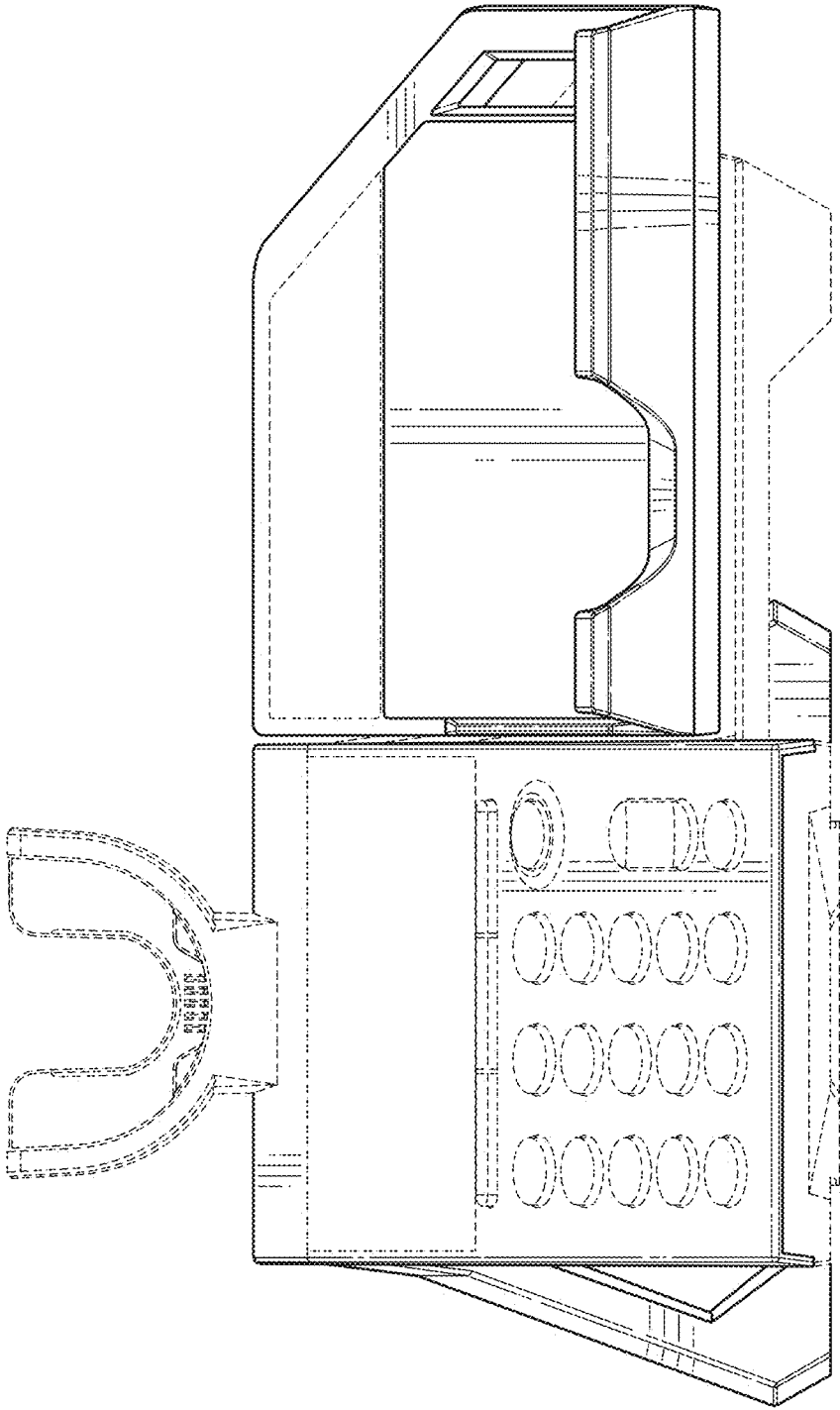


FIG. 11

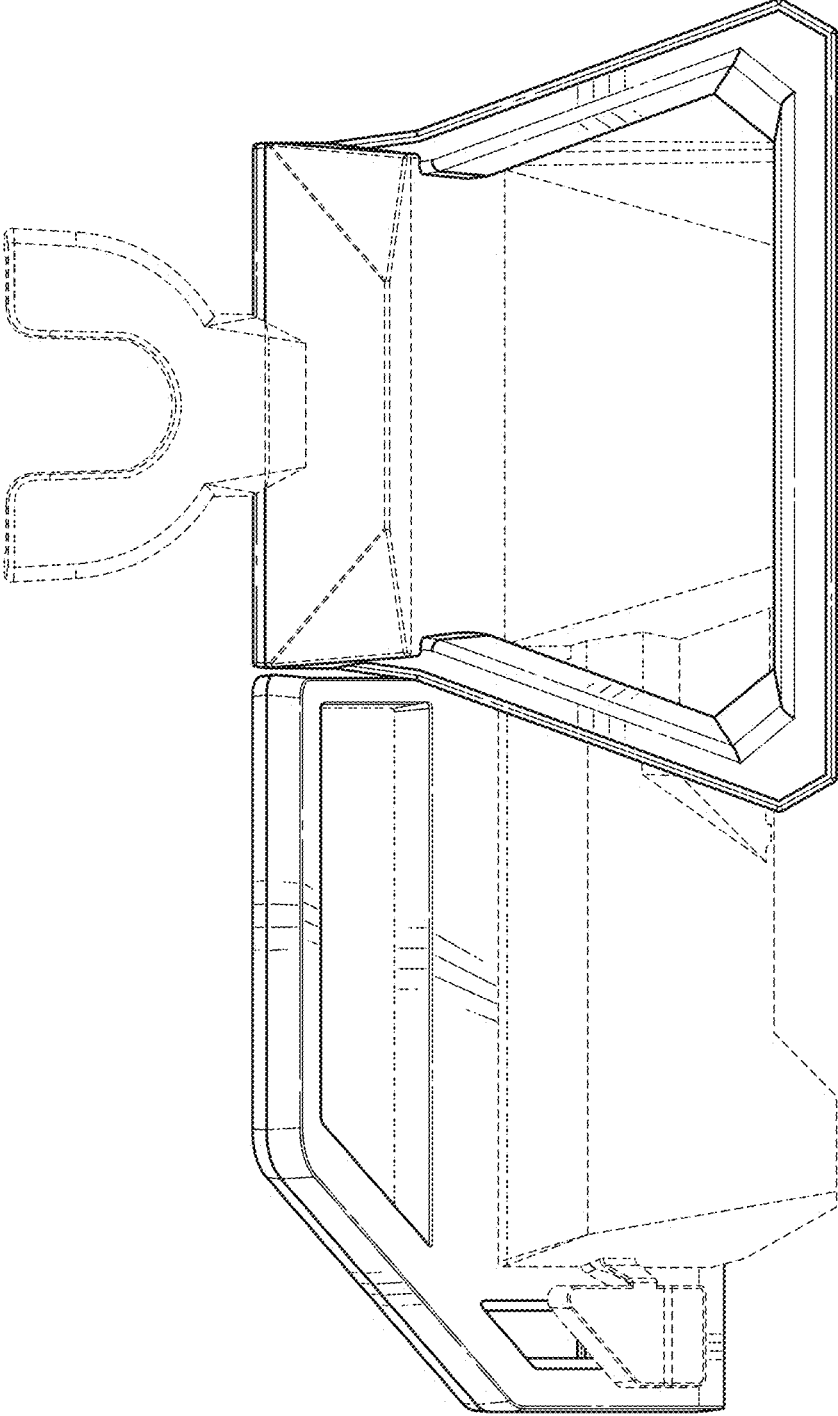


FIG. 12

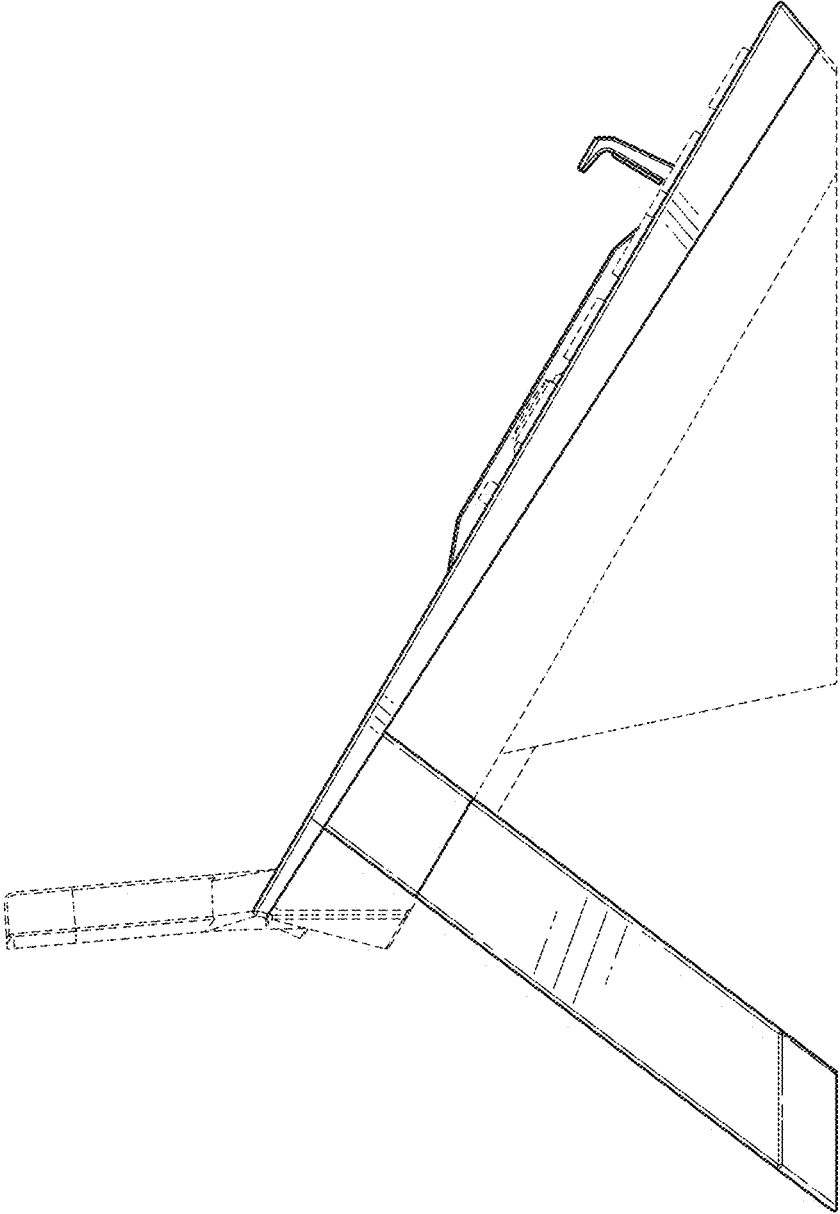


FIG. 13

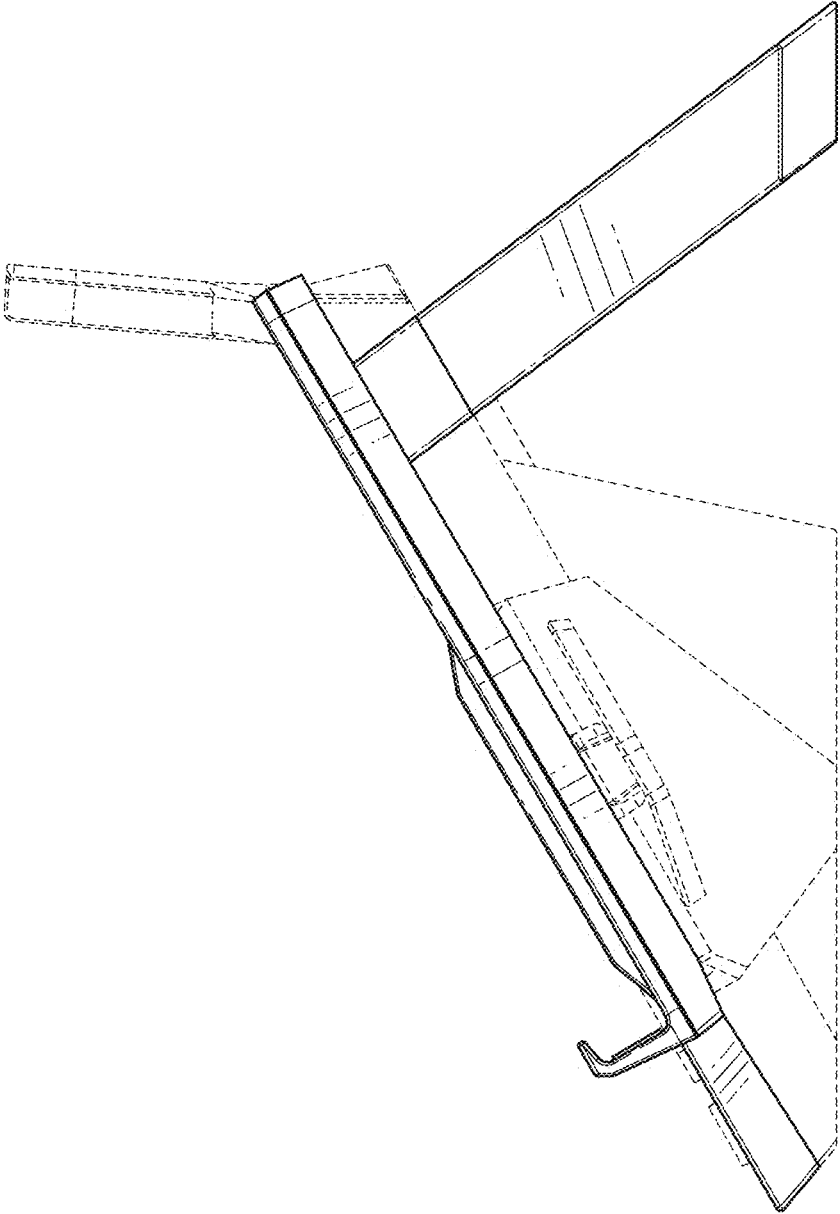


FIG. 14



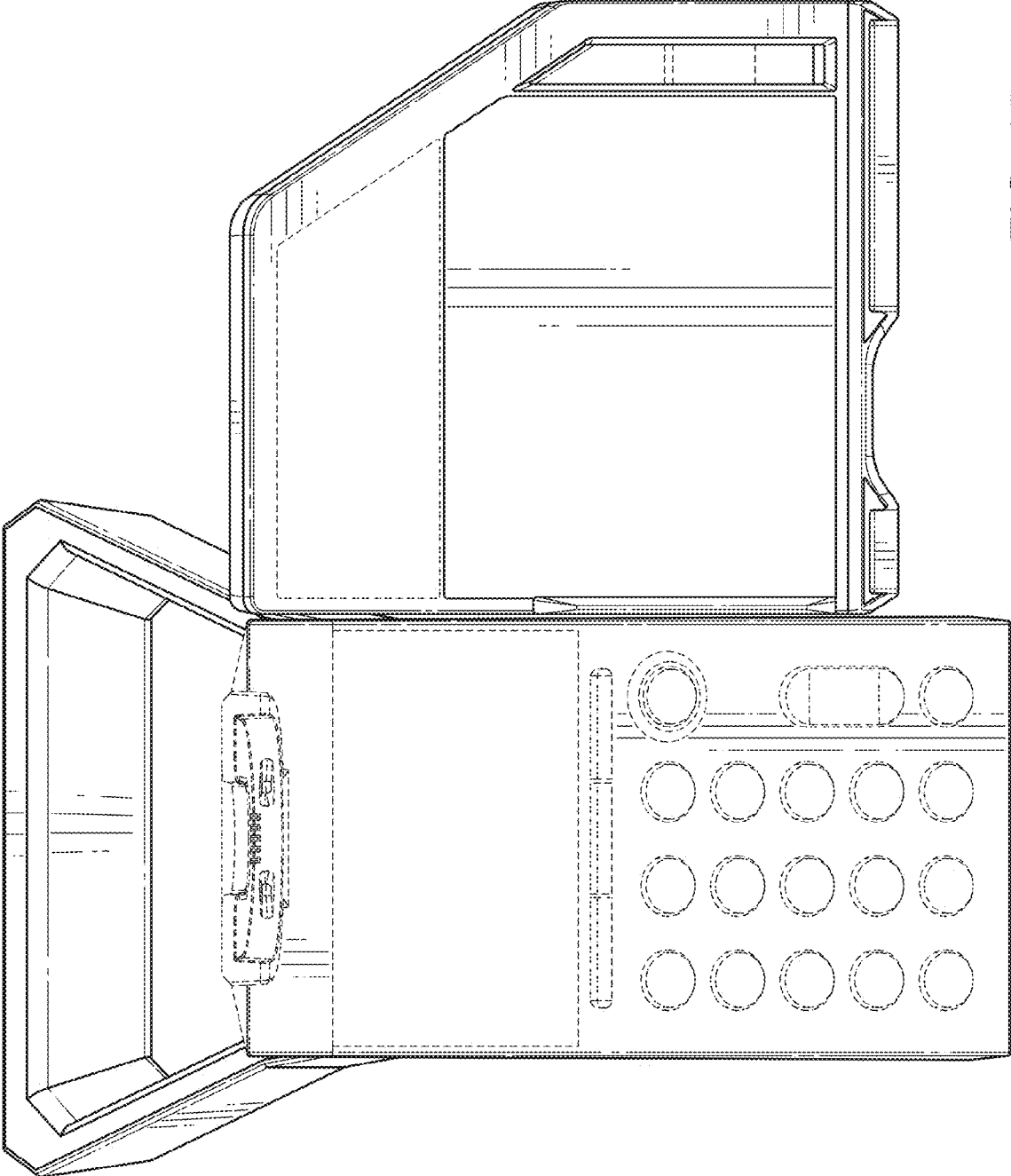


FIG. 15

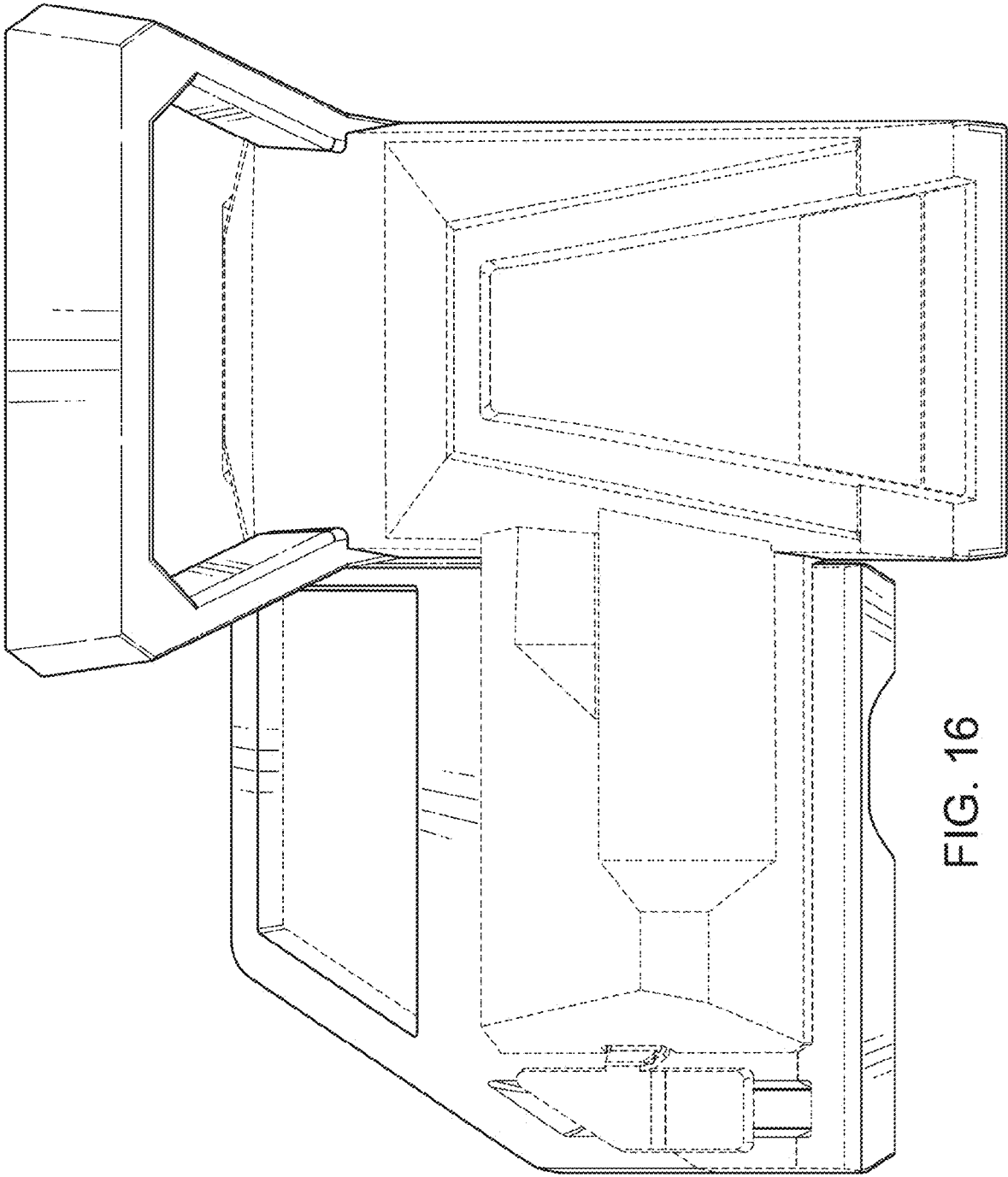


FIG. 16

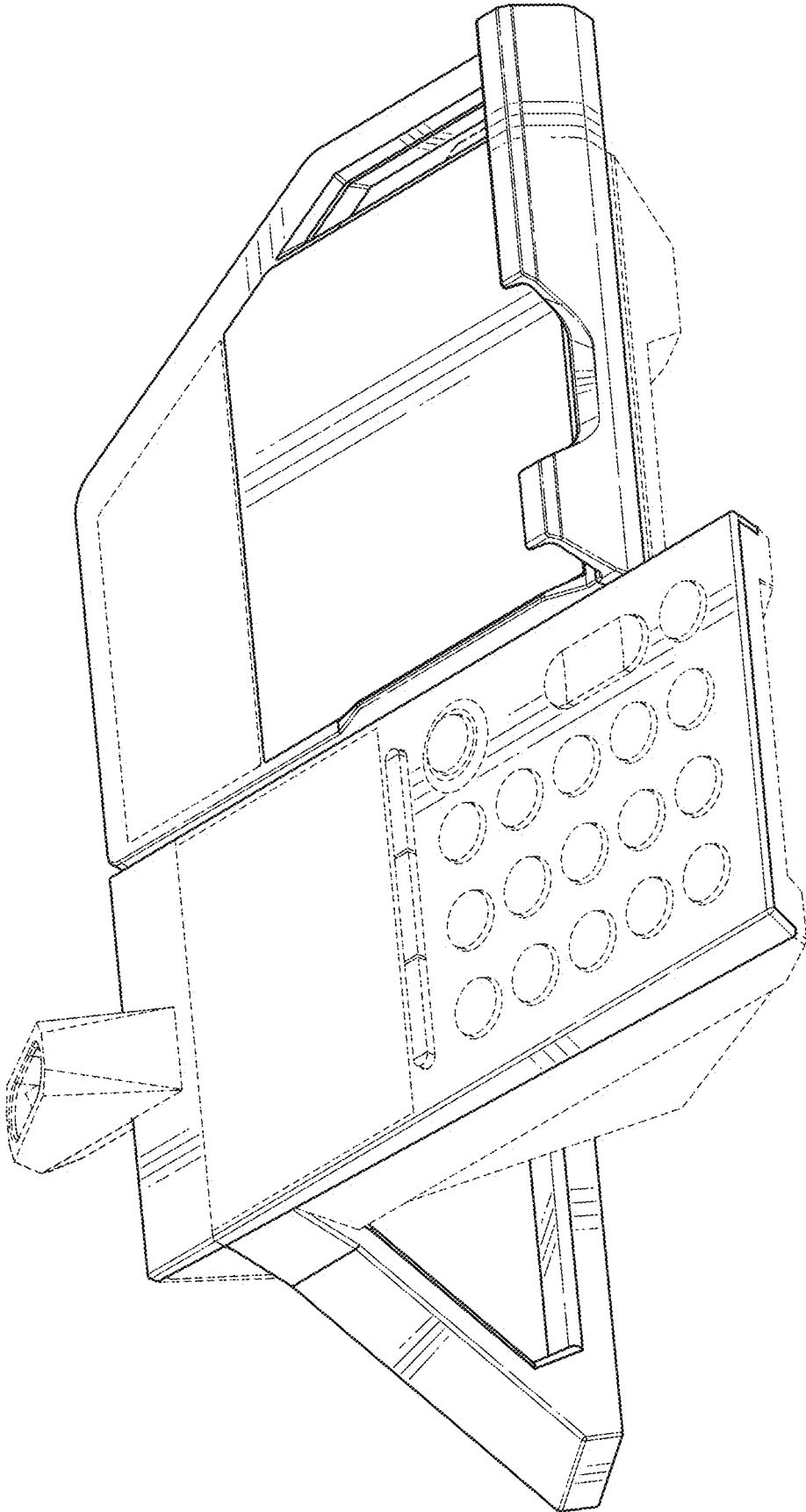


FIG. 17

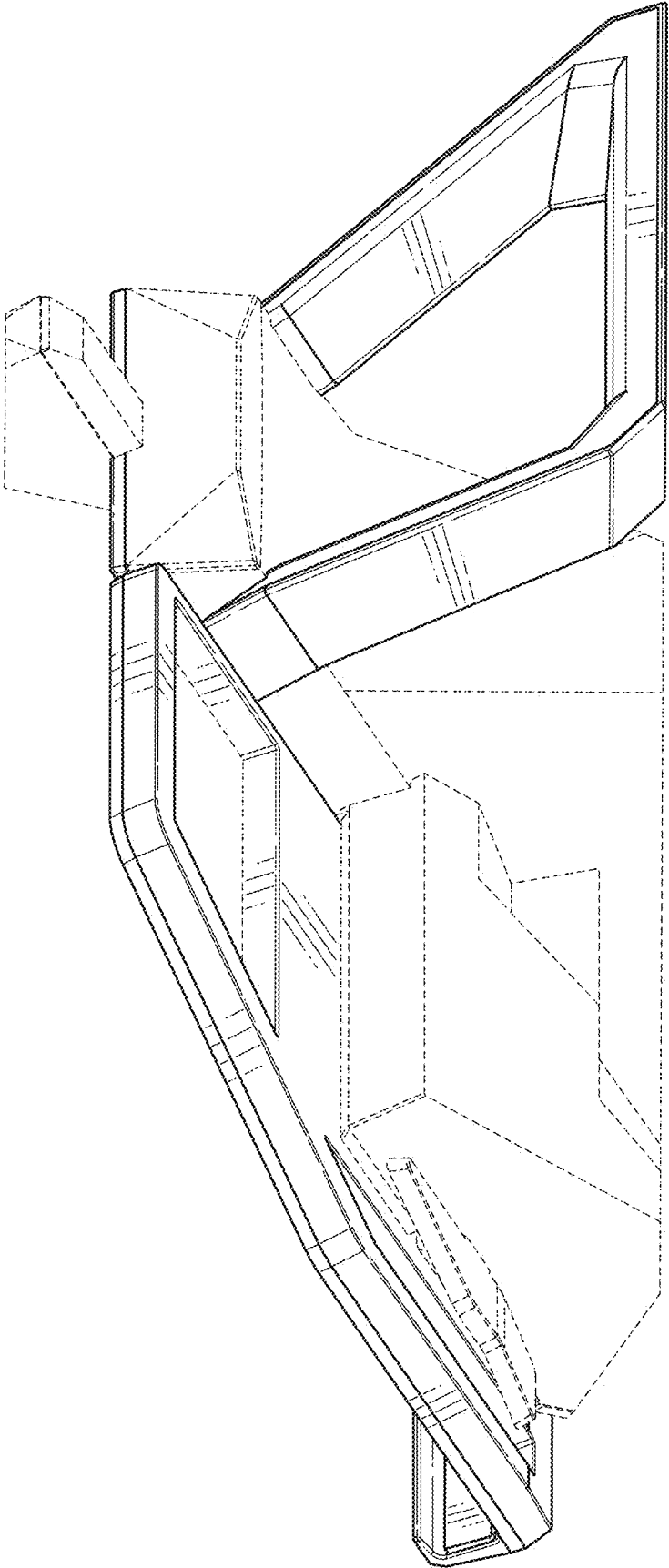


FIG. 18

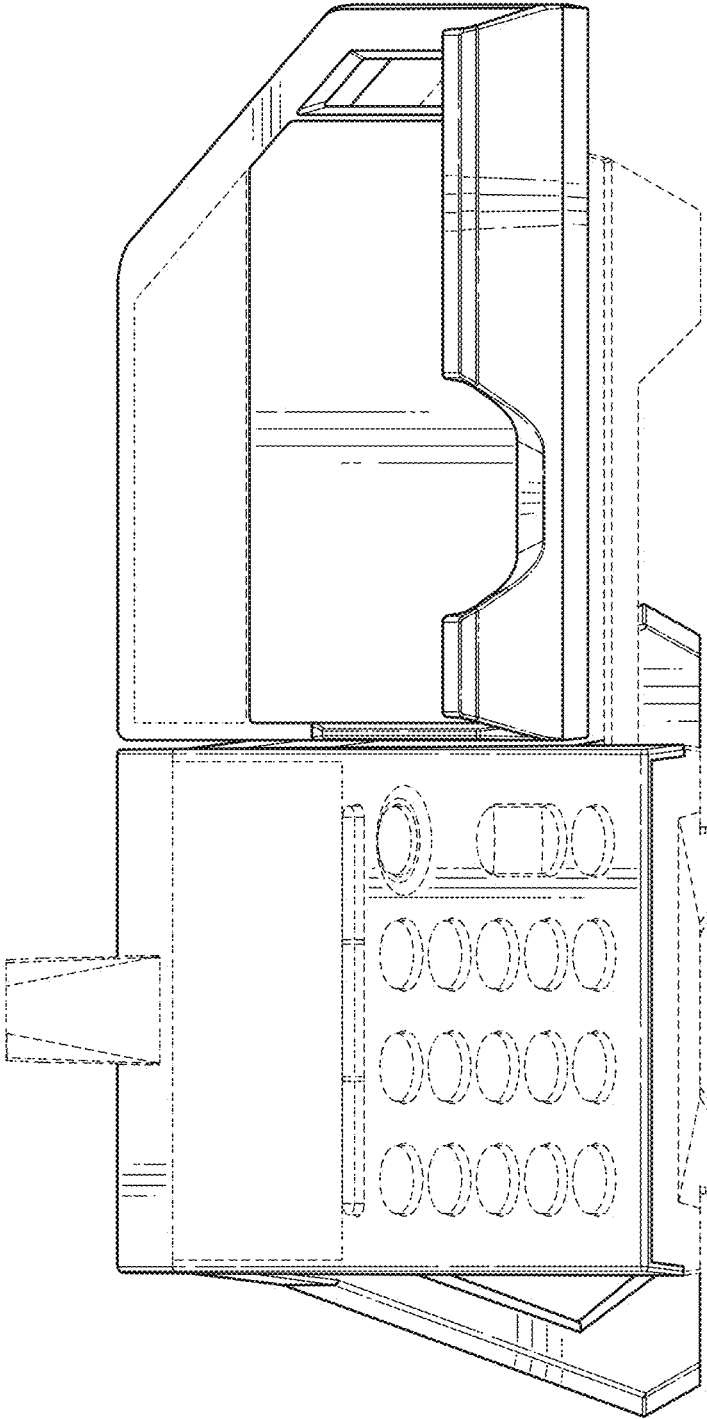


FIG. 19

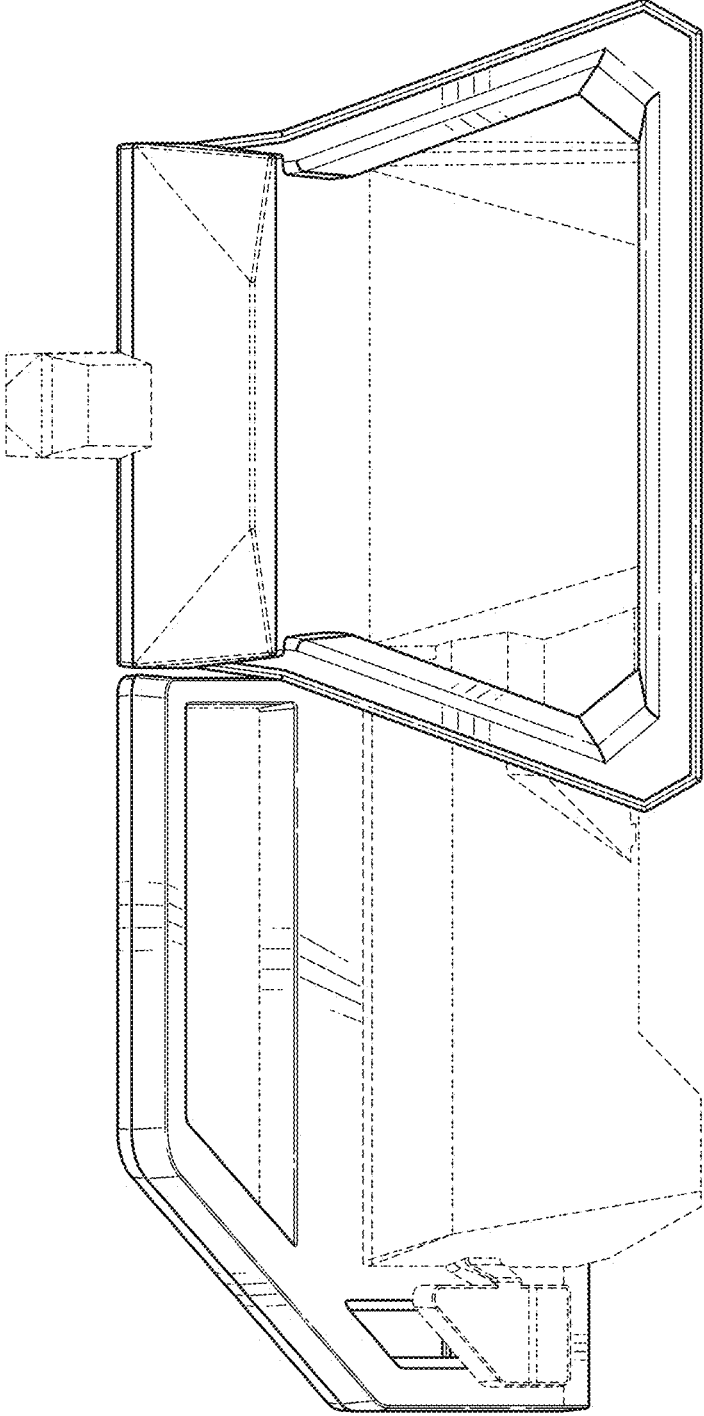


FIG. 20

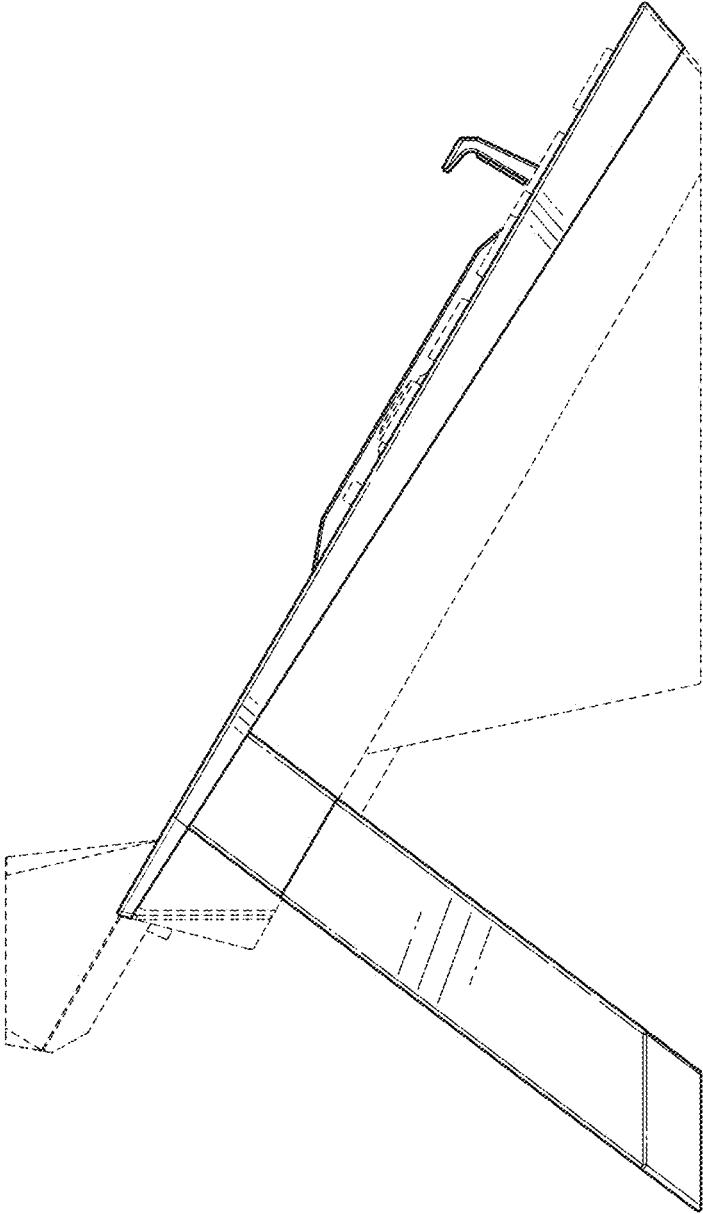


FIG. 21

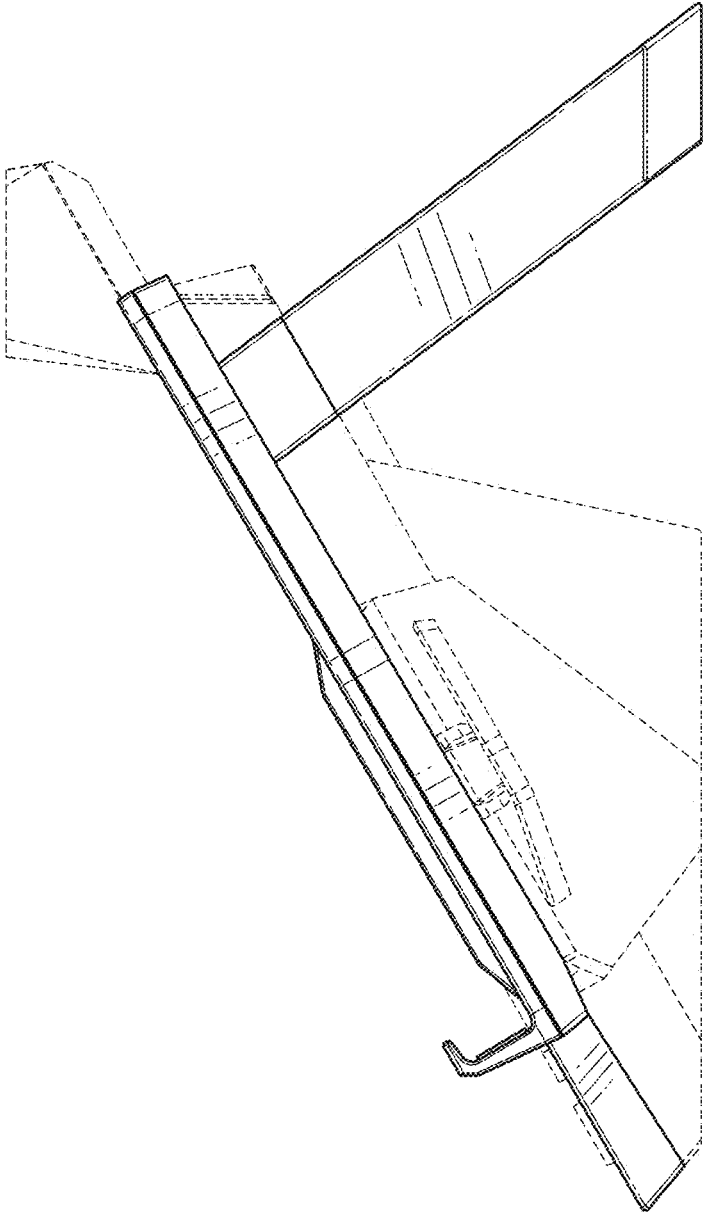


FIG. 22



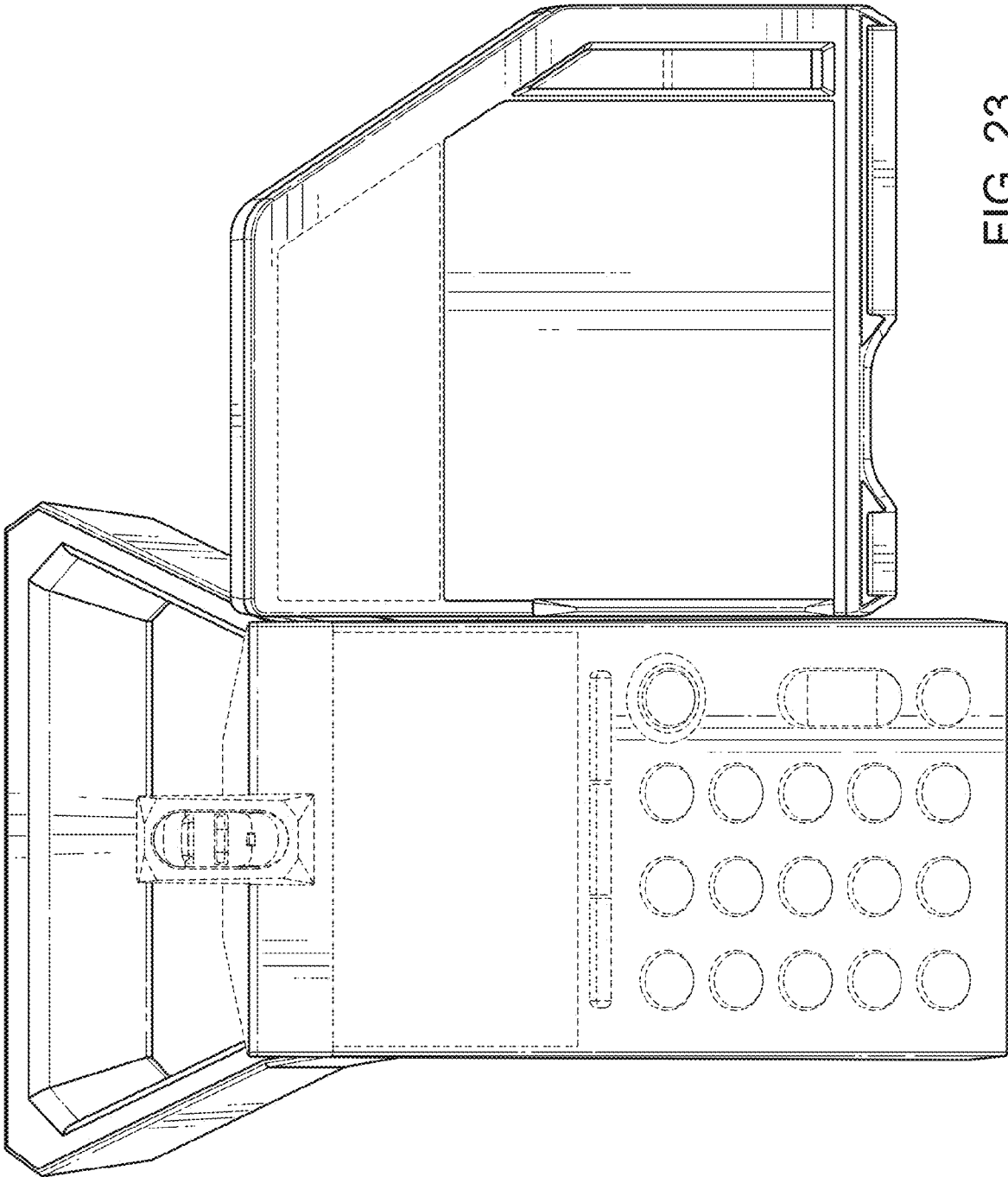


FIG. 23

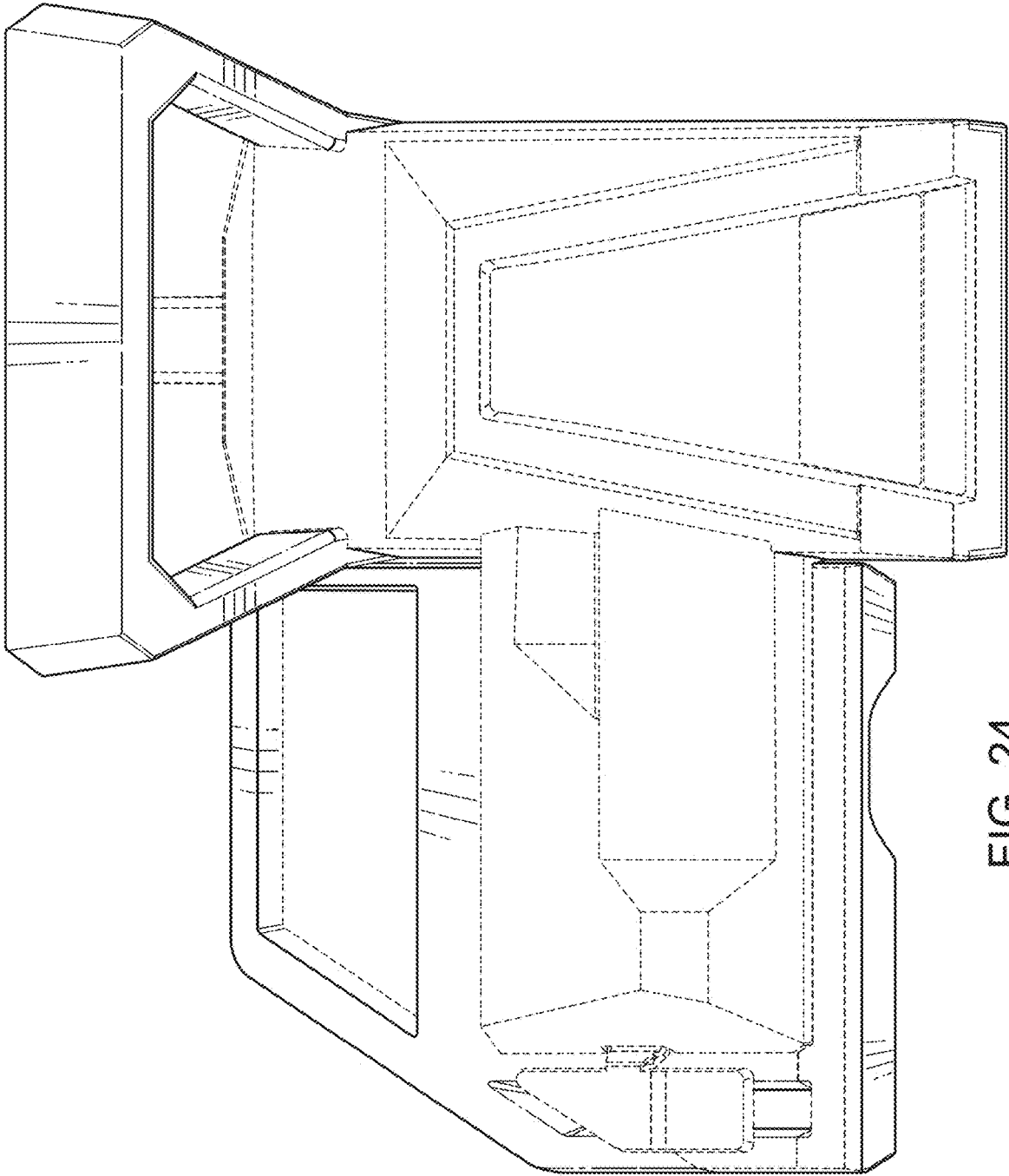


FIG. 24

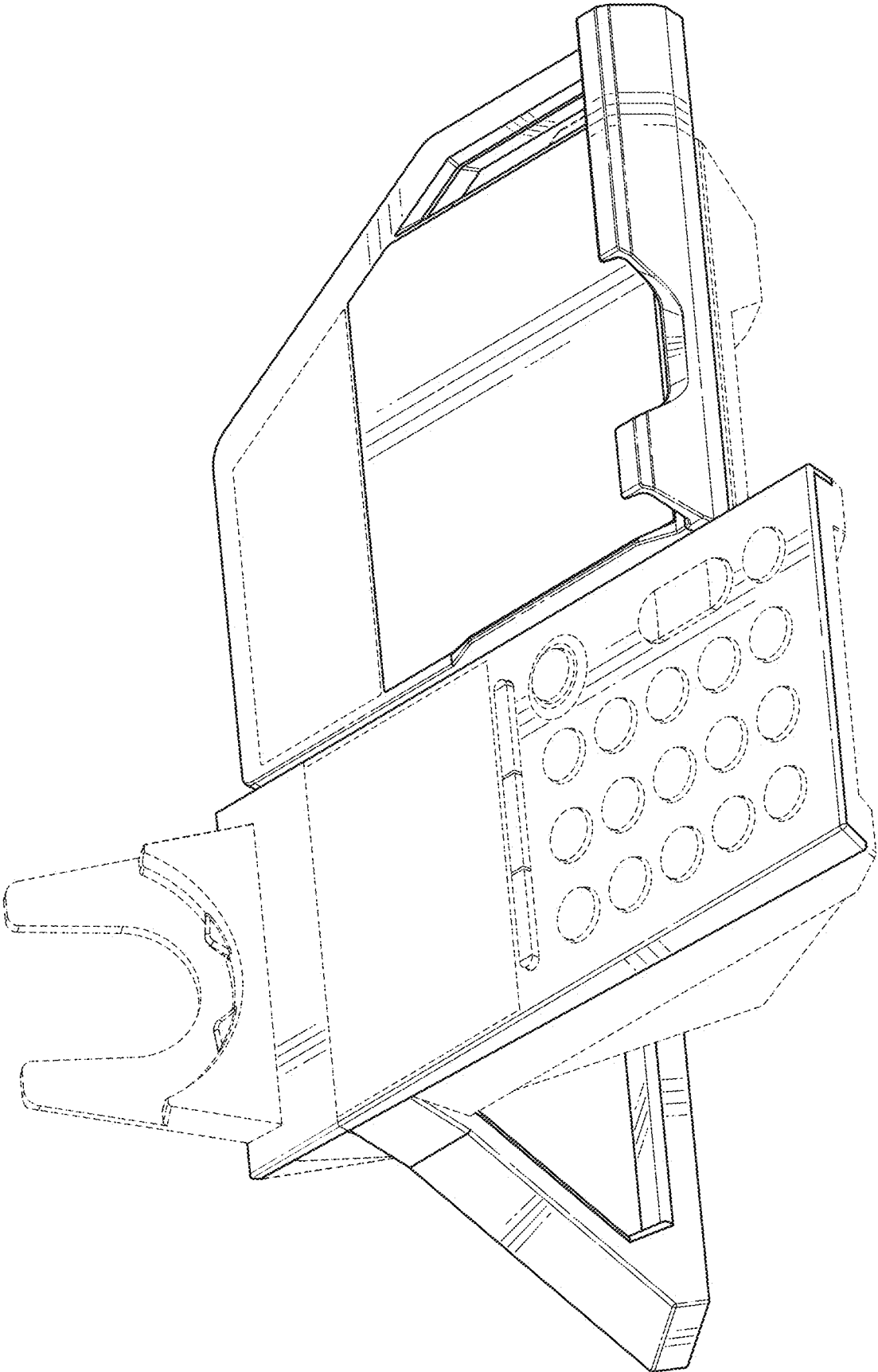


FIG. 25

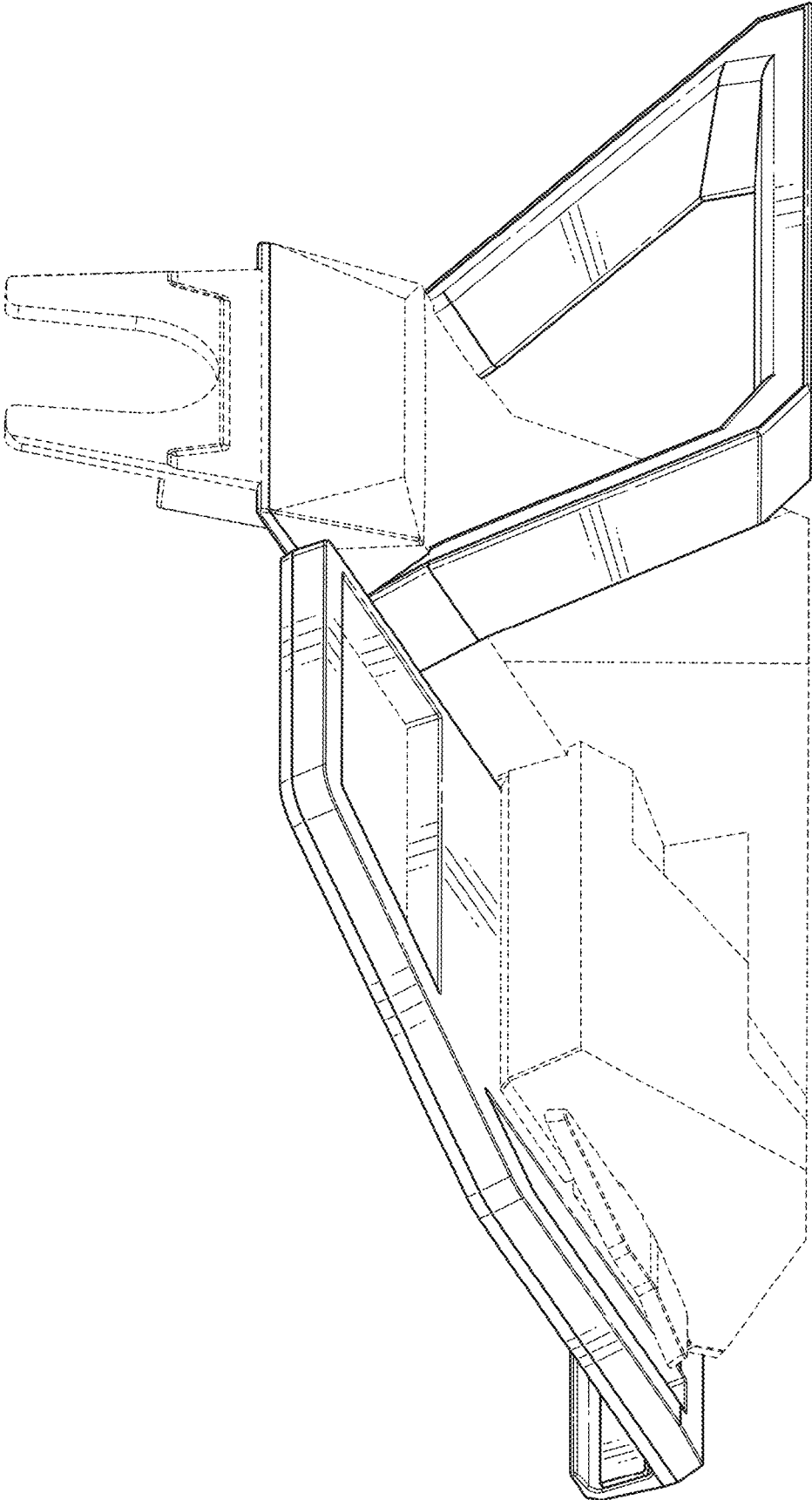


FIG. 26

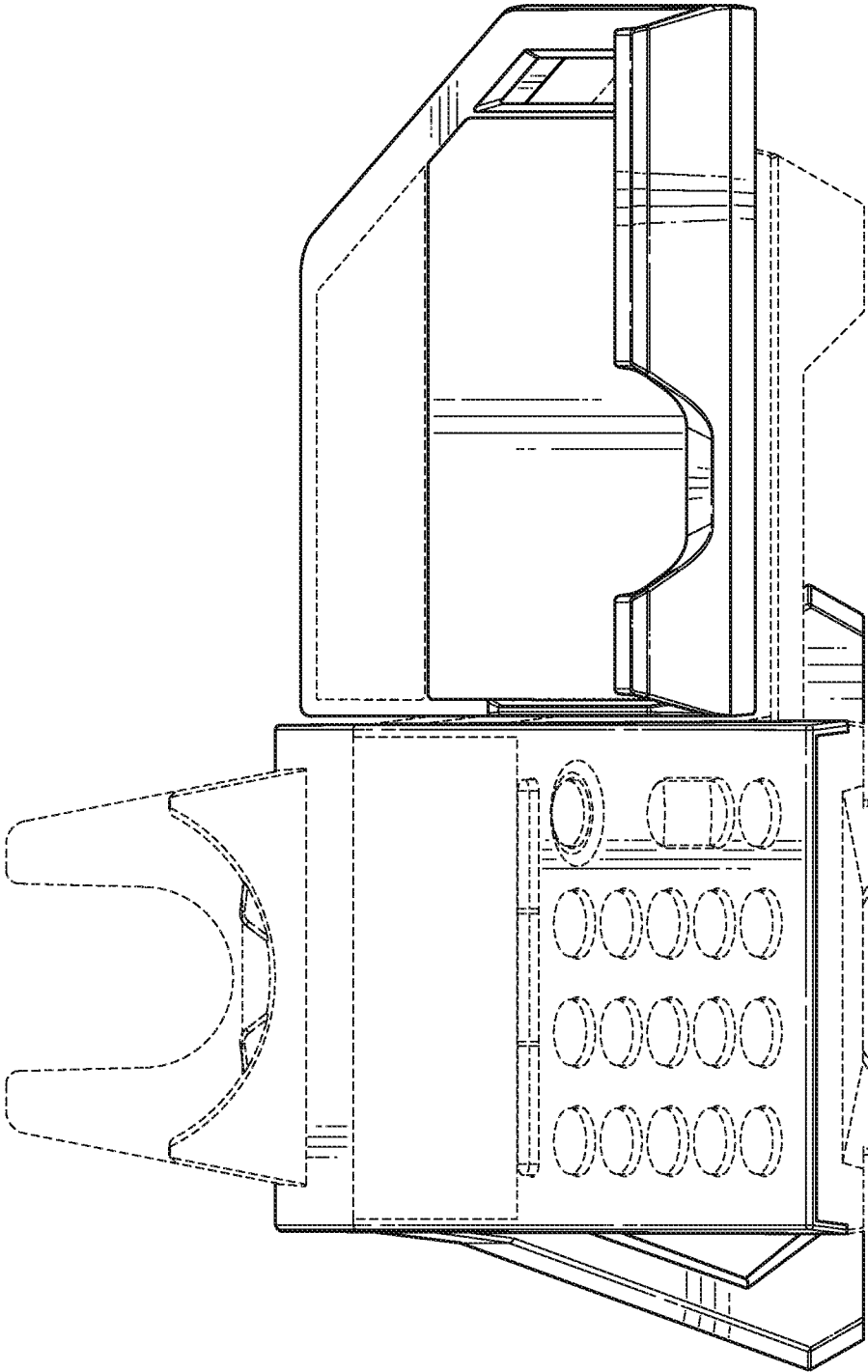


FIG. 27

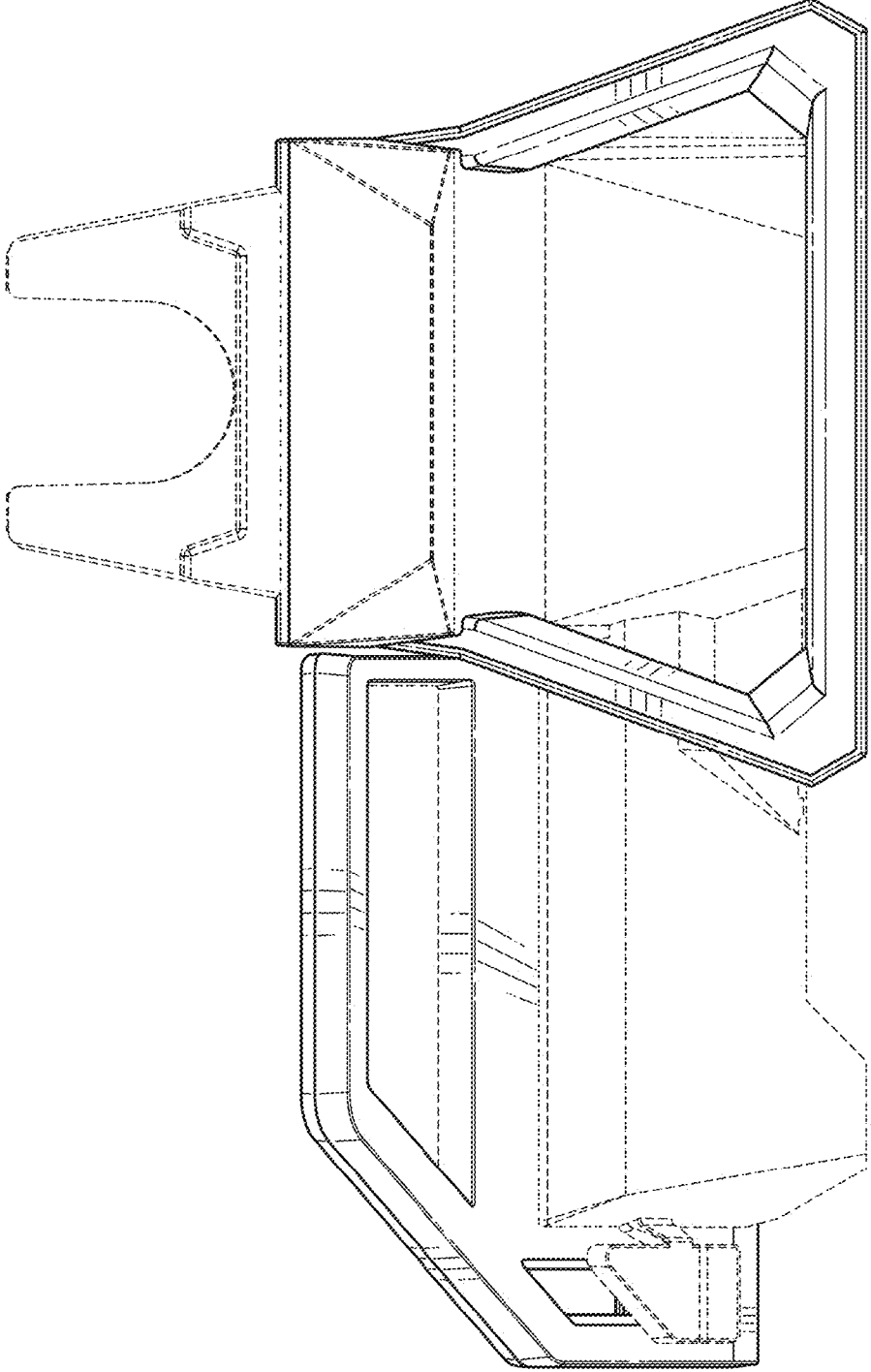


FIG. 28

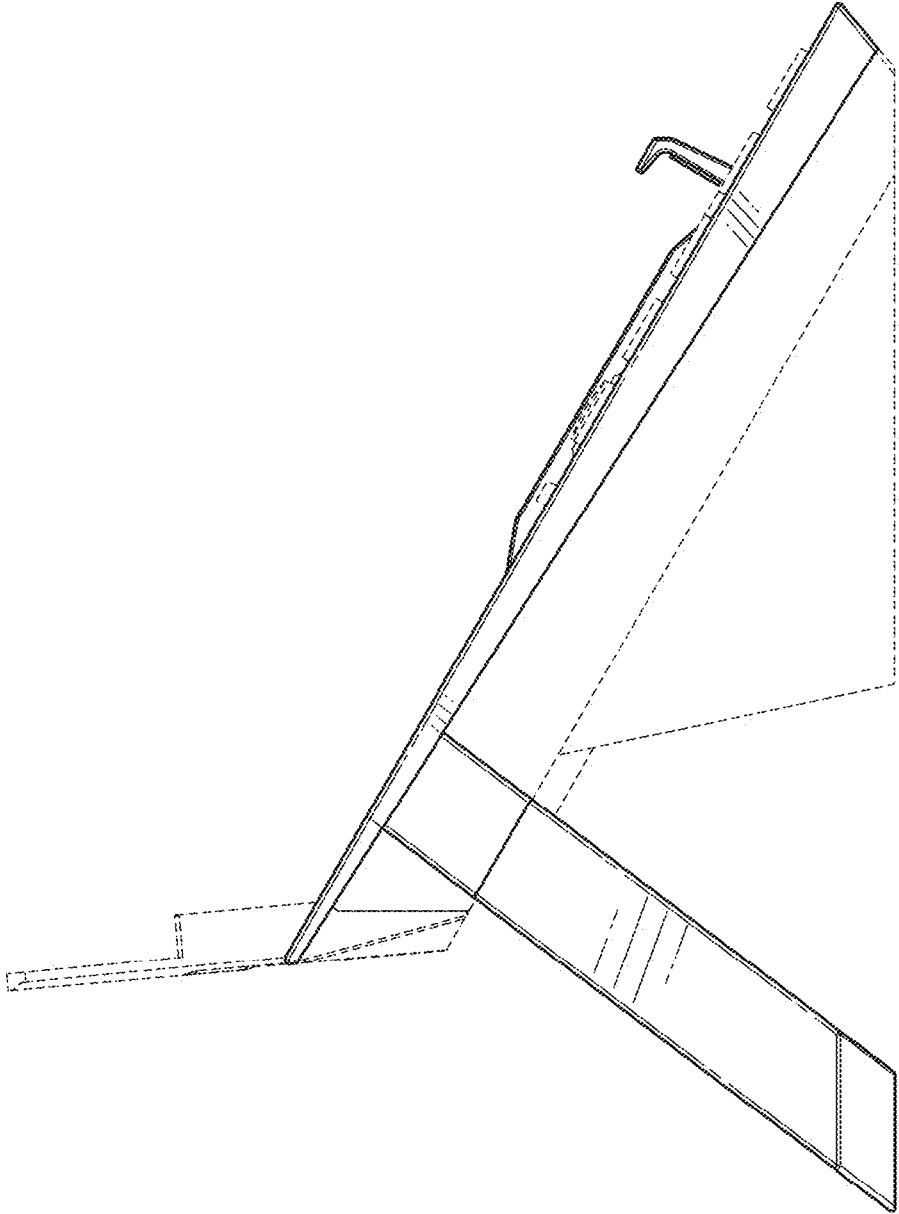


FIG. 29

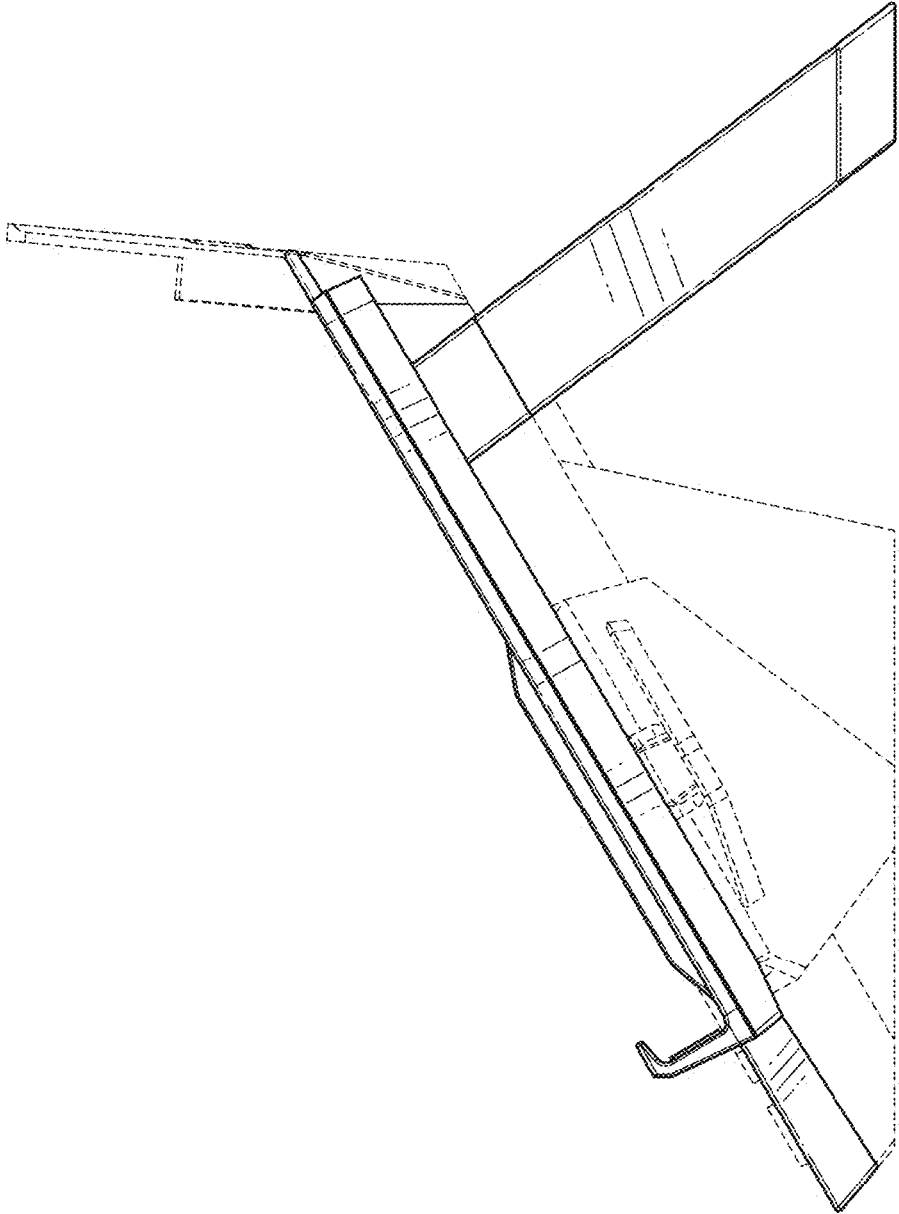


FIG. 30



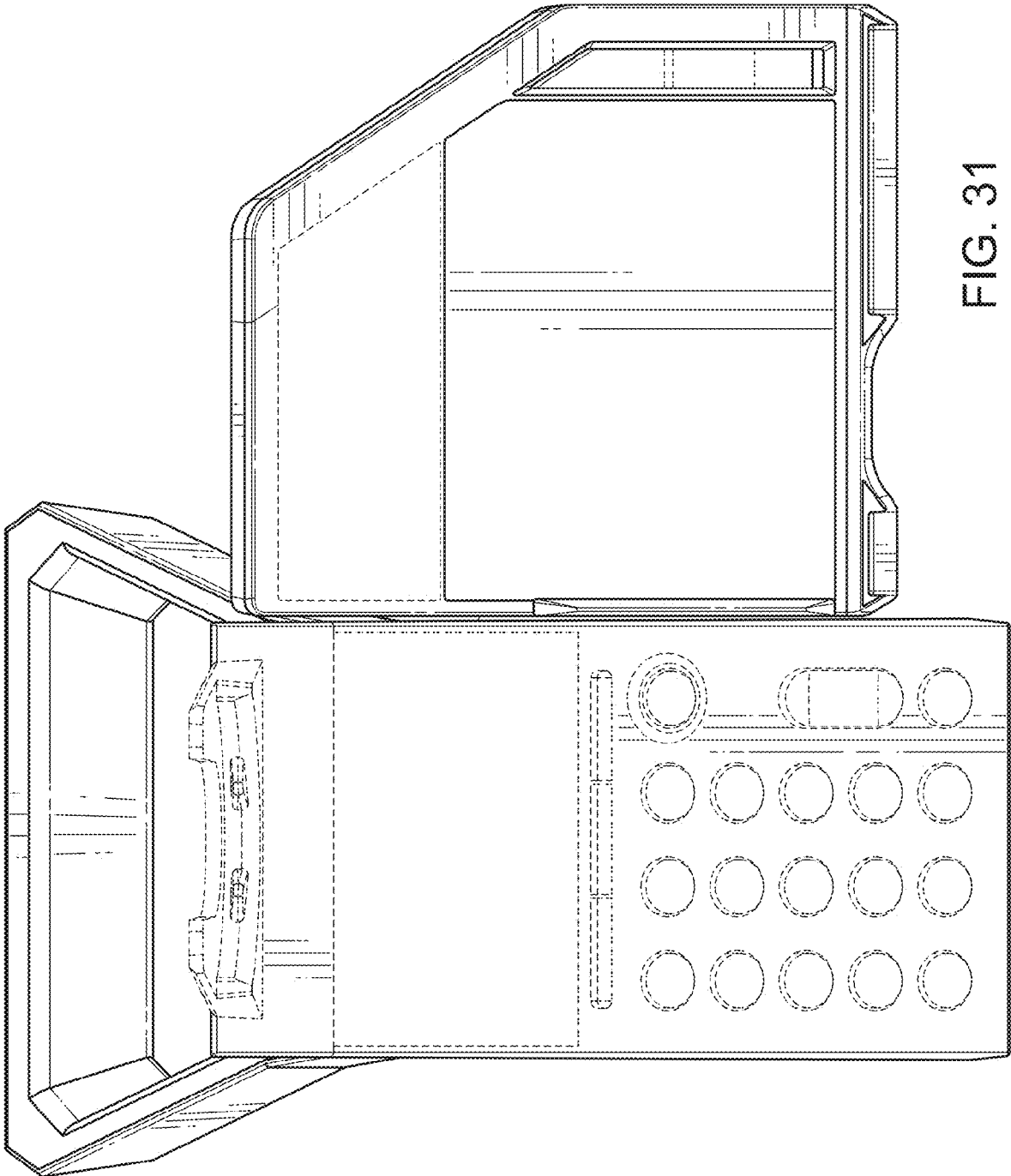


FIG. 31

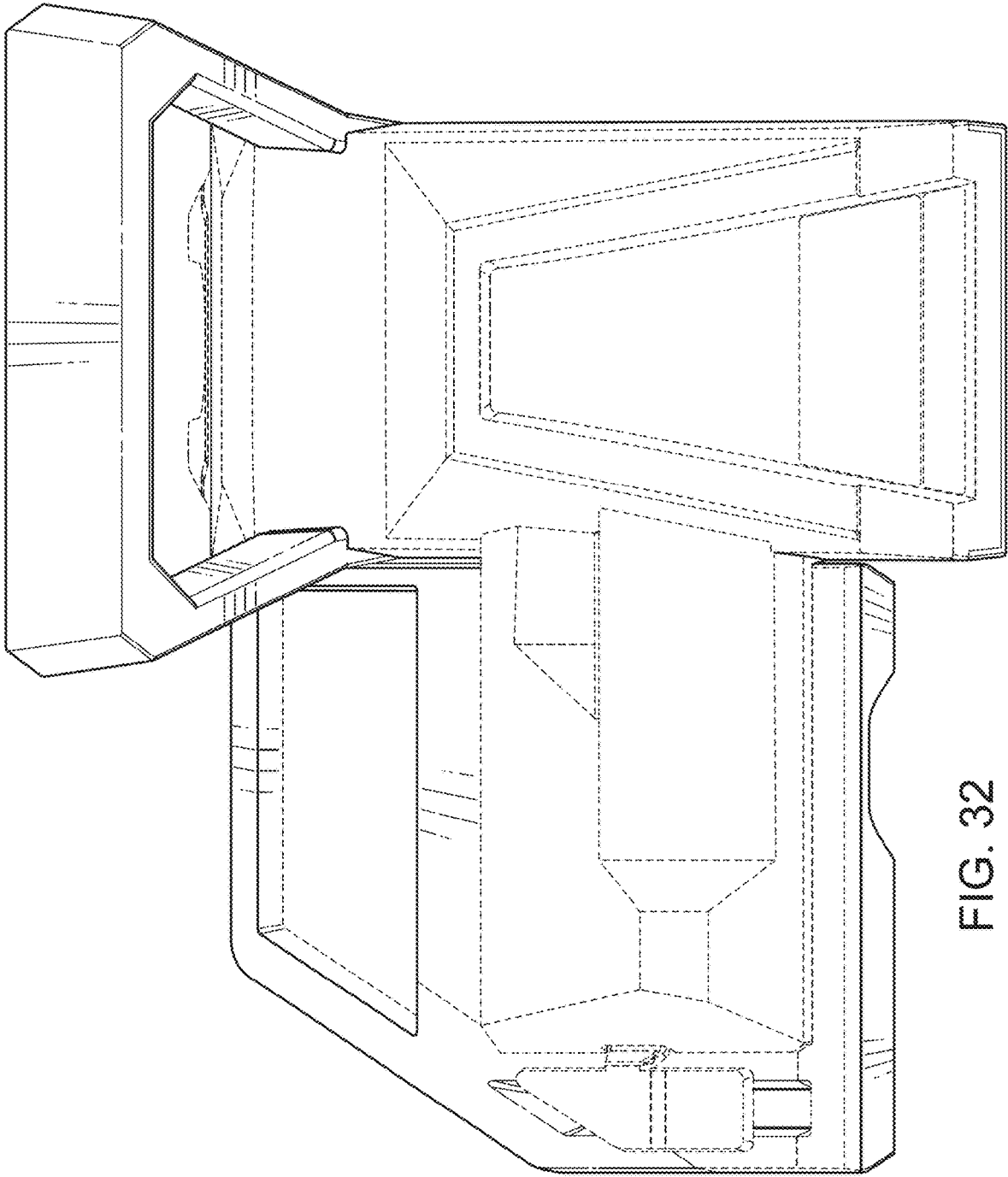


FIG. 32