



US00D756358S

(12) **United States Design Patent**
Jagoe et al.

(10) **Patent No.:** **US D756,358 S**

(45) **Date of Patent:** **** May 17, 2016**

- (54) **MEDIA DISPLAY DEVICE**
- (71) Applicant: **Fireside, Inc.**, Palo Alto, CA (US)
- (72) Inventors: **Andrew Jagoe**, Palo Alto, CA (US);
Donald Lehman, New York, NY (US)
- (73) Assignee: **FIRESIDE, INC.**, Palo Alto, CA (US)
- (**) Term: **14 Years**
- (21) Appl. No.: **29/507,416**
- (22) Filed: **Oct. 27, 2014**
- (51) **LOC (10) Cl.** **14-02**
- (52) **U.S. Cl.**
USPC **D14/375**
- (58) **Field of Classification Search**
USPC D14/371-375, 125-129, 336, 337, 341;
341/12; 345/104, 156, 168, 173;
348/180, 184, 325, 739; 349/1, 2, 11,
349/62; 361/679.05-679.07, 679.21;
D6/300, 308
CPC G06F 1/16; G06F 1/1601; G06F 3/037;
G06F 1/162; F16M 11/10
See application file for complete search history.

(56) **References Cited**

U.S. PATENT DOCUMENTS

D448,031	S	*	9/2001	Goetz	D14/374
D484,131	S	*	12/2003	Olson	D14/375
D502,179	S	*	2/2005	Cha	D14/375
D521,511	S	*	5/2006	Kim	D14/375
D538,800	S	*	3/2007	Zhang	D14/331
D603,862	S	*	11/2009	Skinner	D14/337
D606,071	S	*	12/2009	Wu	D14/336
D620,933	S	*	8/2010	Ludlum	D14/371
D695,735	S	*	12/2013	Kitchen	D14/341
2005/0126061	A1	*	6/2005	Lin	H04N 1/00347 40/735

OTHER PUBLICATIONS

Pix-Star PXT515WRO4 "Pix-Star_The Wi-Fi-3G-Bluetooth digital picture frame with its own email address", image available at <https://www.pix-star.com/> (last accessed Jan. 19, 2016).

* cited by examiner

Primary Examiner — Freda S Nunn
(74) *Attorney, Agent, or Firm* — VLP Law Group LLP;
Richard G. A. Bone

(57) **CLAIM**

The ornamental design for a media display device, as shown and described.

DESCRIPTION

FIG. 1 is a front perspective view of a media display device showing a first embodiment of the new design; FIG. 2 is a rear perspective view thereof; FIG. 3 is a front elevational view thereof; FIG. 4 is a side elevational view thereof; FIG. 5 is a rear elevational view thereof; FIG. 6 is an opposite side view thereof; FIG. 7 is a top plan view thereof; FIG. 8 is a bottom plan view thereof; FIG. 9 is a front perspective view showing a second embodiment thereof, the only difference being the position of the stand located at the rear of the device. In the first embodiment the stand can be used on a horizontal surface, whereas in the second embodiment, the stand serves as a mount to position the device on a vertical surface such as a wall. FIG. 10 is a rear perspective view thereof; FIG. 11 is a front view thereof; FIG. 12 is a side elevational view thereof; FIG. 13 is a rear elevational view thereof; FIG. 14 is an opposite side elevational view thereof; FIG. 15 is a top plan view thereof; and, FIG. 16 is a bottom plan view thereof.

The power cord shown in broken lines in FIGS. 2, 4-8, 10 and 12-16 is shown for illustration only and forms no part of the claimed design.

1 Claim, 6 Drawing Sheets

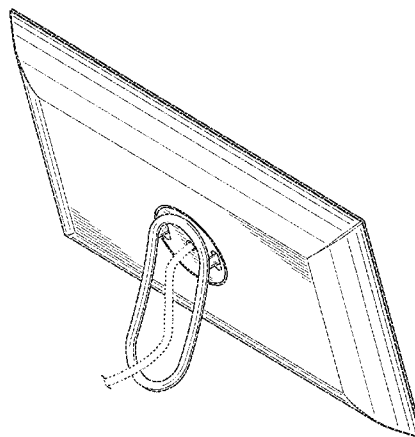
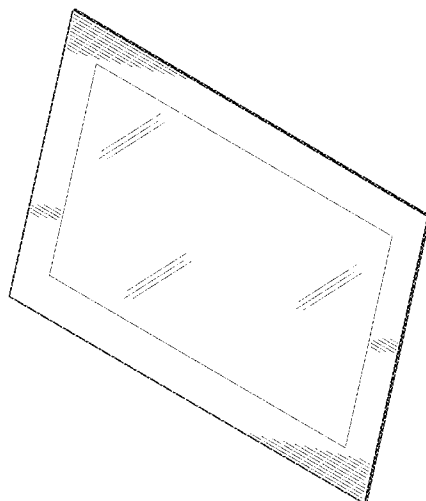


FIG. 1

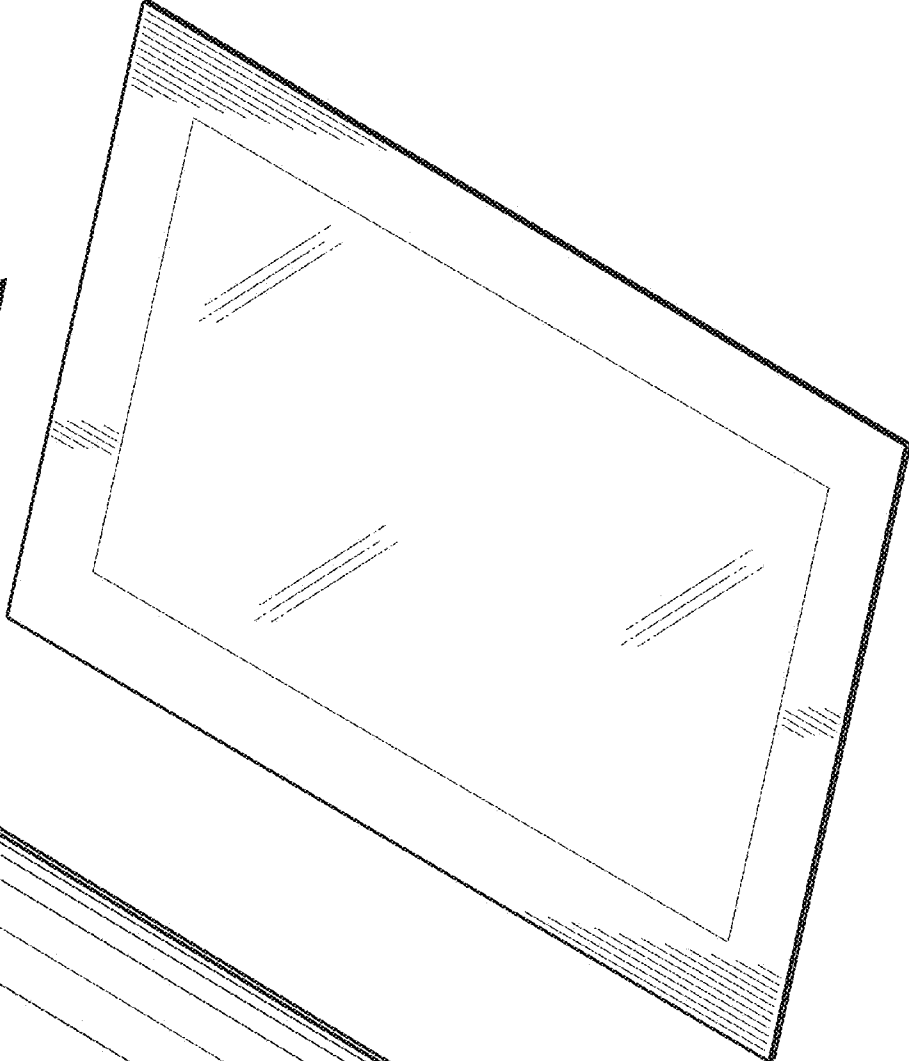
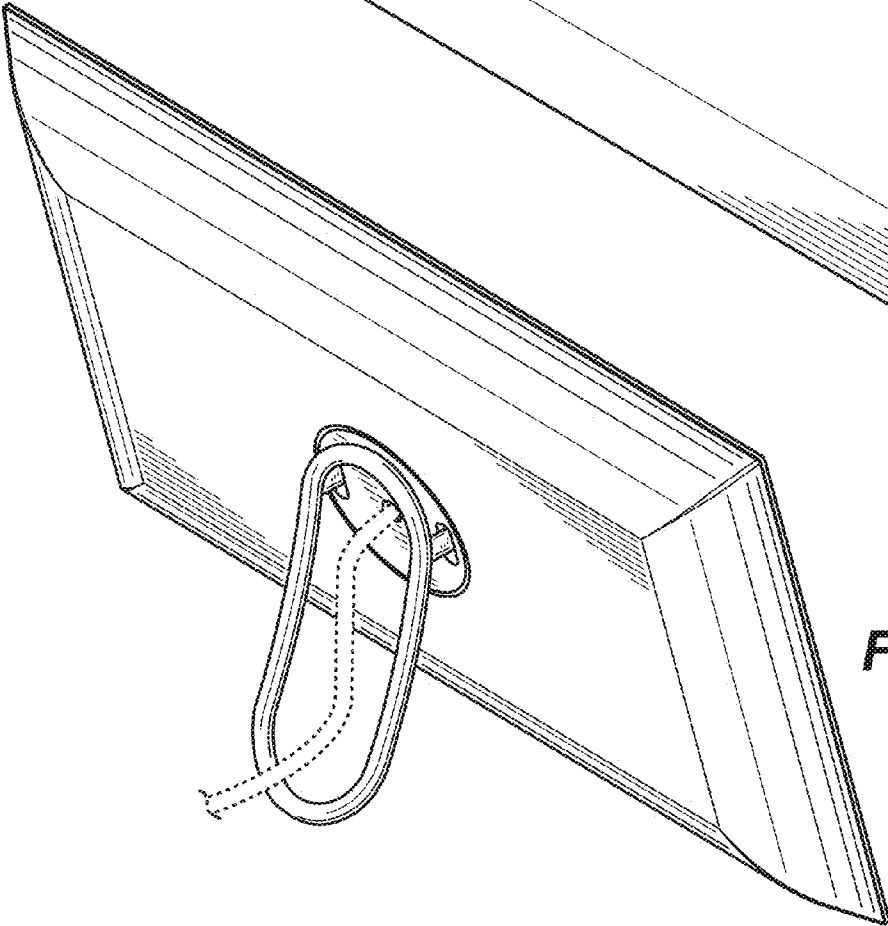


FIG. 2



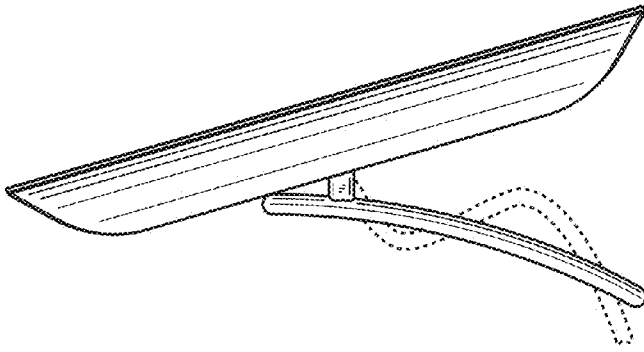


FIG. 4

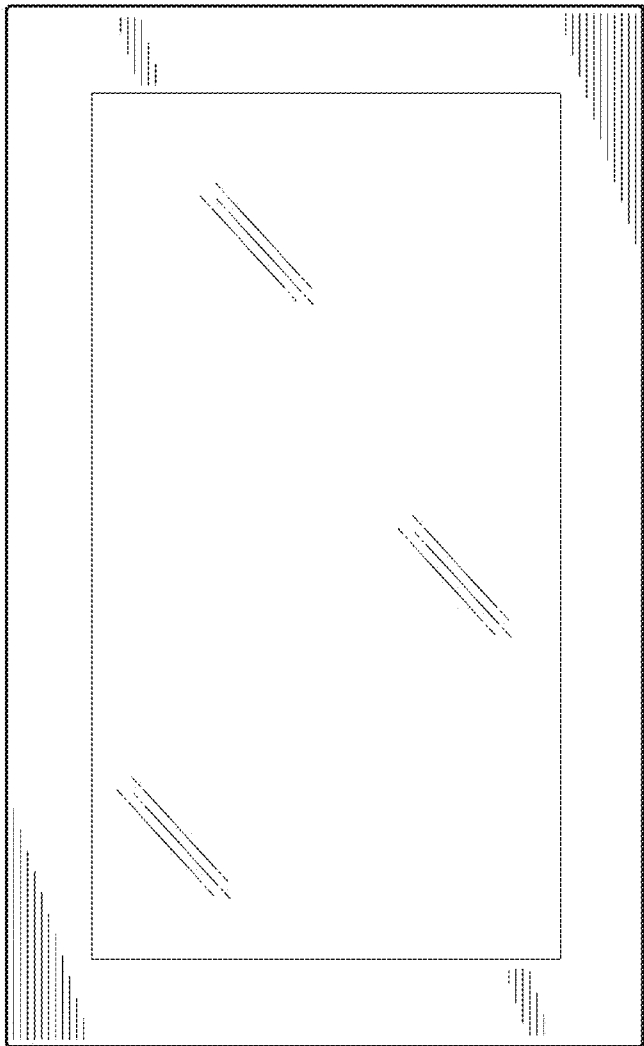


FIG. 3

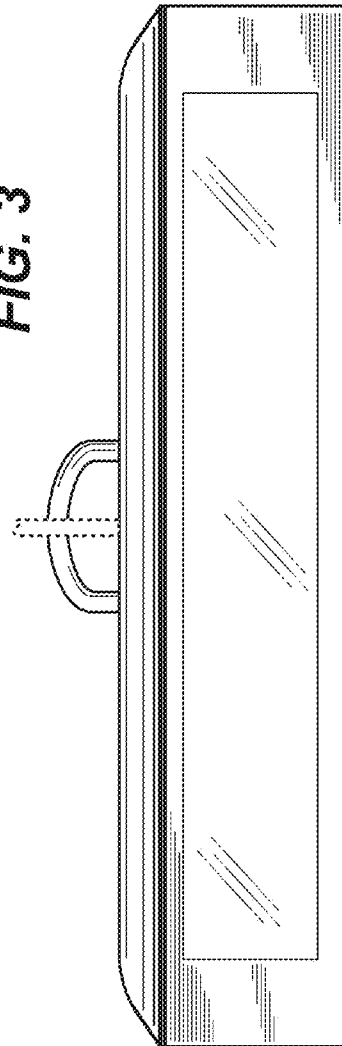


FIG. 7

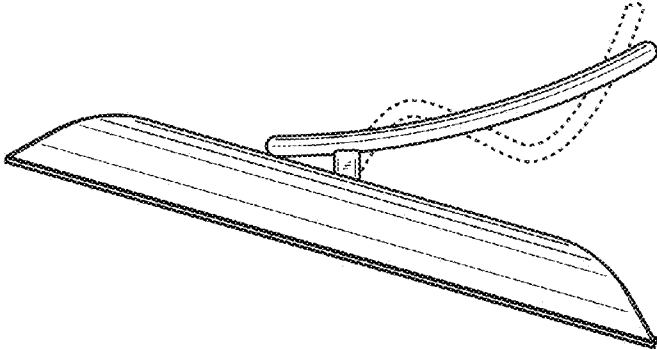


FIG. 6

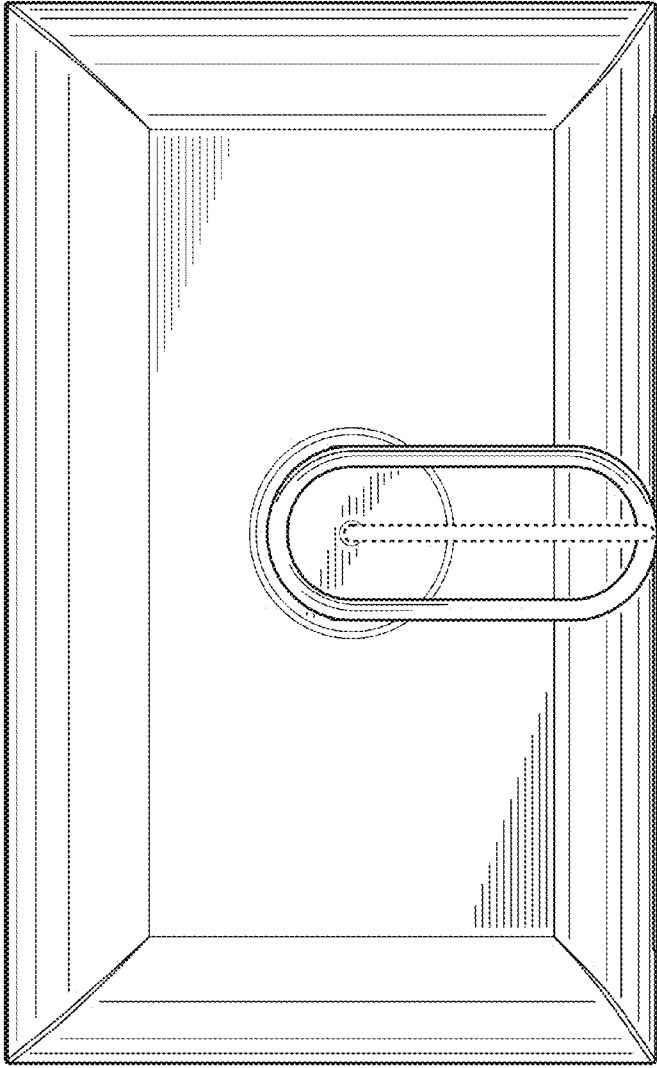


FIG. 5

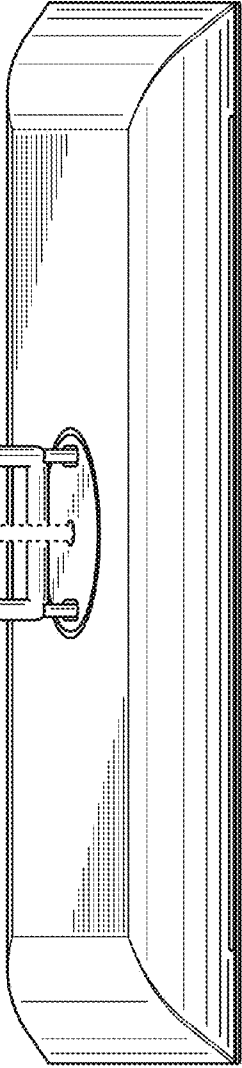


FIG. 8

FIG. 9

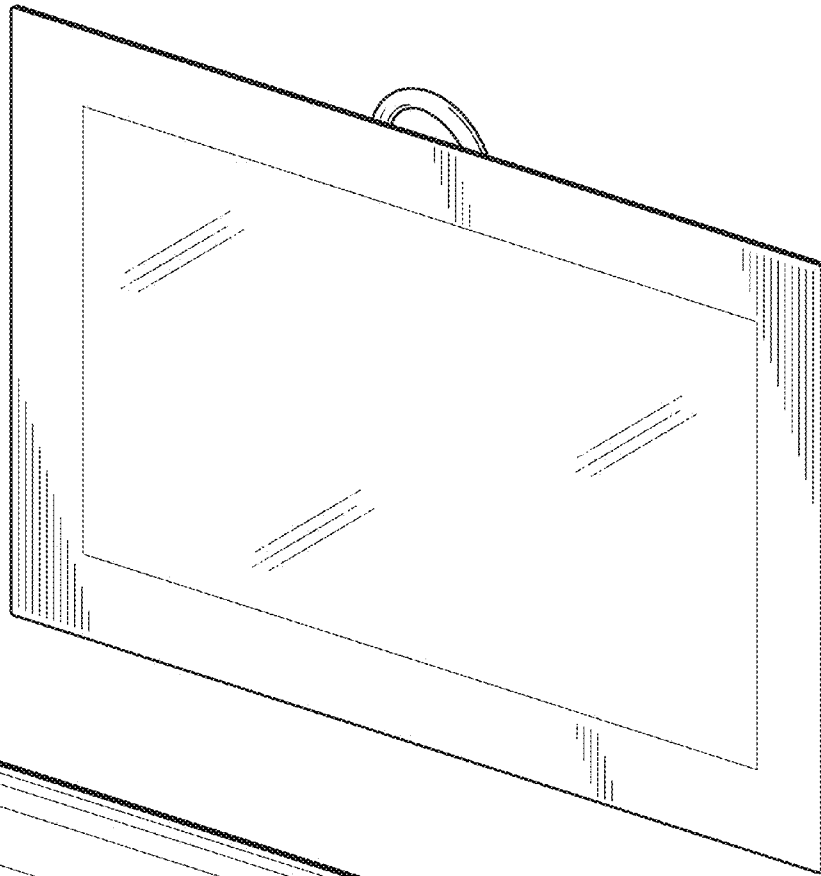
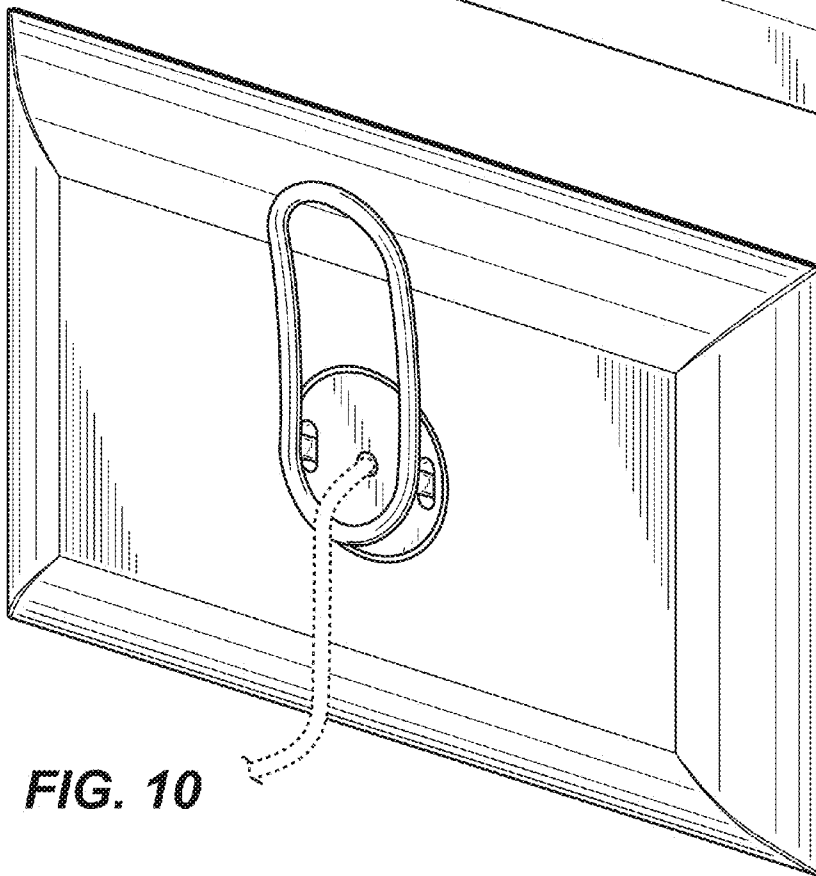


FIG. 10



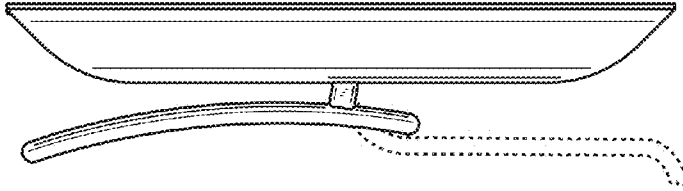


FIG. 12

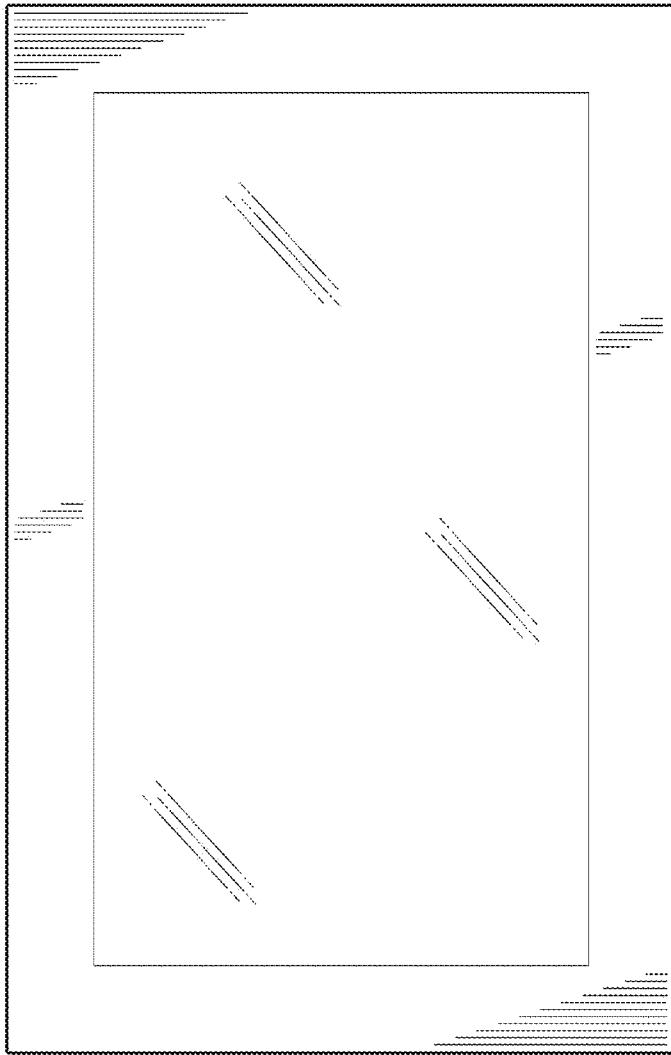


FIG. 11

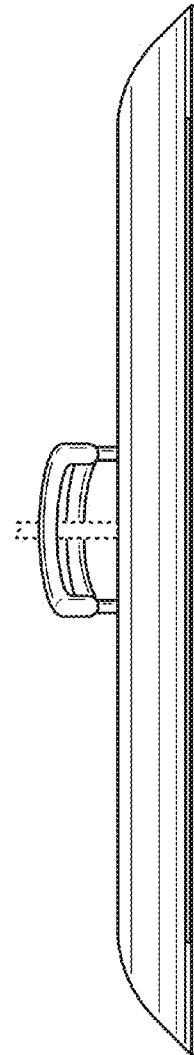


FIG. 15

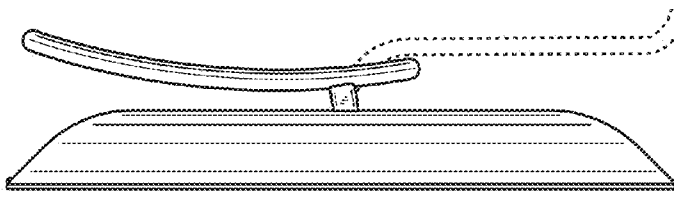


FIG. 14

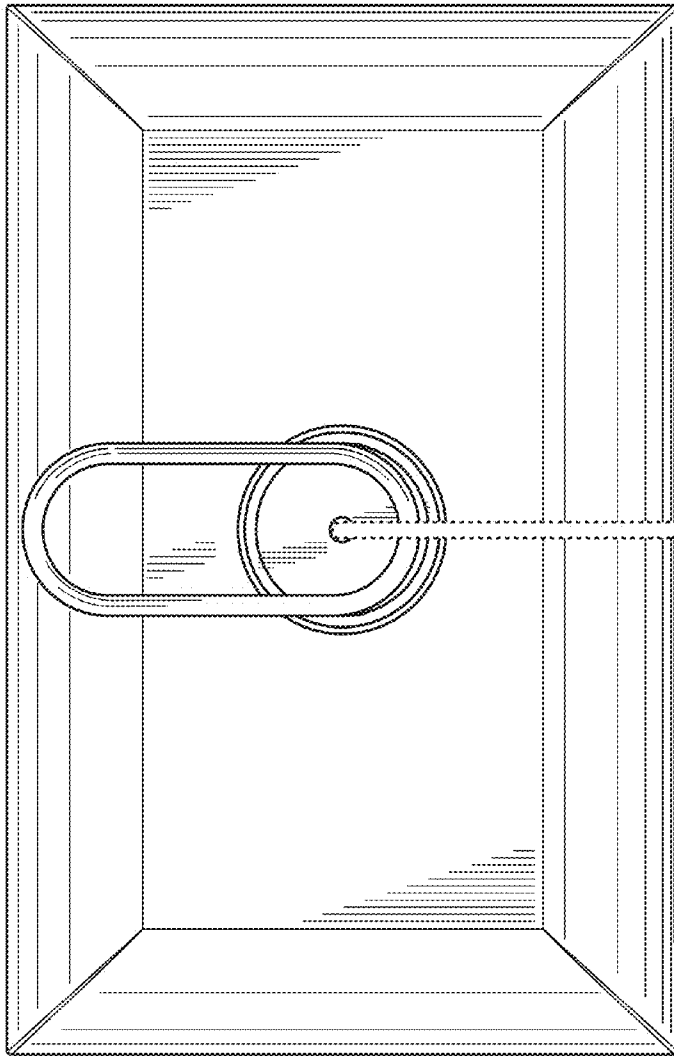


FIG. 13

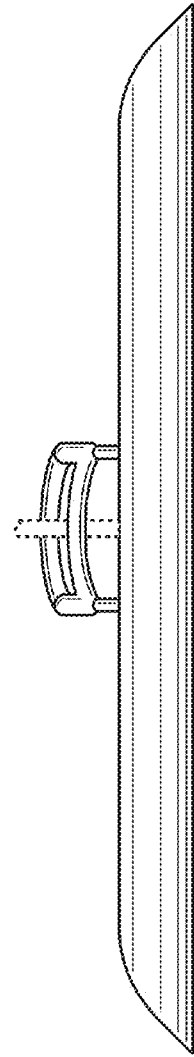


FIG. 16