



US00D784361S

(12) **United States Design Patent**  
**Graham et al.**

(10) **Patent No.:** **US D784,361 S**

(45) **Date of Patent:** **\*\* Apr. 18, 2017**

(54) **PORTION OF DISPLAY SCREEN WITH ANIMATED GRAPHICAL USER INTERFACE**

(71) Applicant: **RICOH COMPANY, LTD.**, Tokyo (JP)

(72) Inventors: **Jamey Graham**, San Jose, CA (US);  
**Daniel Van Olst**, San Francisco, CA (US)

(73) Assignee: **RICOH COMPANY, LTD.**, Tokyo (JP)

(\*\*) Term: **14 Years**

(21) Appl. No.: **29/519,231**

(22) Filed: **Mar. 3, 2015**

(51) **LOC (10) Cl.** ..... **14-04**

(52) **U.S. Cl.**  
USPC ..... **D14/485**

(58) **Field of Classification Search**  
USPC ..... D14/485-488, 491  
CPC . G06F 3/0482; G06F 3/04842; G06F 3/04817  
See application file for complete search history.

(56) **References Cited**

**U.S. PATENT DOCUMENTS**

7,298,370	B1	*	11/2007	Middler	.....	G06T 11/206	345/421
D625,318	S	*	10/2010	Jasinski	.....	D14/485	
D626,143	S	*	10/2010	Karten	.....	D14/491	
D651,611	S	*	1/2012	Ouilhet	.....	D14/489	
D651,613	S	*	1/2012	Ouilhet	.....	D14/491	
D667,842	S	*	9/2012	Ouilhet	.....	D14/489	
D693,830	S	*	11/2013	Edwards	.....	D14/485	
D694,770	S	*	12/2013	Edwards	.....	D14/485	
D695,753	S	*	12/2013	Edwards	.....	D14/485	
D699,750	S	*	2/2014	Pearson	.....	D14/488	
D702,707	S	*	4/2014	Kotler	.....	D14/487	
D705,240	S	*	5/2014	Edwards	.....	D14/485	
D706,826	S	*	6/2014	McLean	.....	D14/491	

(Continued)

*Primary Examiner* — Sheryl Lane

*Assistant Examiner* — Nicole Shiflet

(74) *Attorney, Agent, or Firm* — Blank Rome LLP

(57) **CLAIM**

The ornamental design for a portion of display screen with animated graphical user interface, as shown and described.

**DESCRIPTION**

This design patent application incorporates by reference U.S. Design patent application Ser. No. 29/515,009, any material of which is not present in this application forms no part of the claimed design.

FIG. 1 is a front view of a first image for a display screen portion with animated graphical user interface according to a first embodiment;

FIG. 2 is a second image thereof;

FIG. 3 is a third image thereof;

FIG. 4 is a fourth image thereof;

FIG. 5 is a fifth image thereof;

FIG. 6 is a front view of a first image for a display screen portion with animated graphical user interface according to a second embodiment;

FIG. 7 is a second image thereof;

FIG. 8 is a third image thereof;

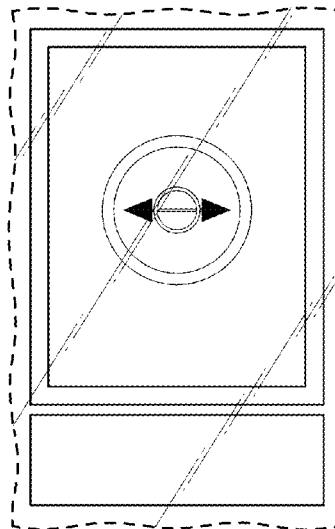
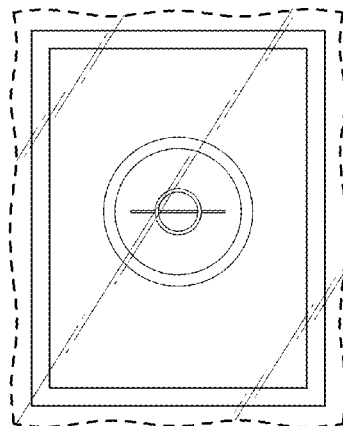
FIG. 9 is a fourth image thereof; and,

FIG. 10 is a fifth image thereof.

The appearance of the animated graphical user interface sequentially transitions between the images shown in FIGS. 1-5 and FIGS. 6-10. The process or period in which one image transitions to another forms no part of the claimed design.

The broken line in each of FIGS. 1-10 represents the outer periphery of the portion of the display screen, and also the outer periphery of the claimed design. The broken line itself forms no part of the claimed design.

**1 Claim, 4 Drawing Sheets**



(56)

**References Cited**

## U.S. PATENT DOCUMENTS

D718,321	S	*	11/2014	Charles	.....	D14/486
D728,619	S	*	5/2015	Myung	.....	D14/491
D738,913	S	*	9/2015	Cabrera-Cordon	.....	D14/491
D741,888	S	*	10/2015	Sic	.....	D14/486
D742,910	S	*	11/2015	Drozd	.....	D14/485
D757,027	S	*	5/2016	Gordon	.....	D14/485
D759,070	S	*	6/2016	Heeter	.....	D14/486
2006/0263098	A1	*	11/2006	Akiyama	.....	G02F 1/0123 398/188
2008/0295033	A1	*	11/2008	Lee	.....	F25D 23/126 715/840
2009/0083665	A1	*	3/2009	Anttila	.....	G06F 3/0482 715/834
2013/0232437	A1	*	9/2013	Kim	.....	G06F 3/0231 715/773

\* cited by examiner

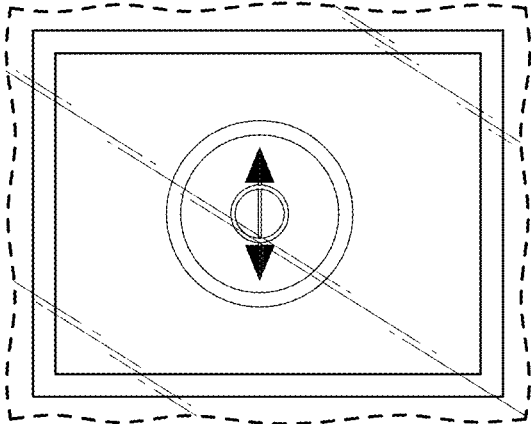


FIG. 1

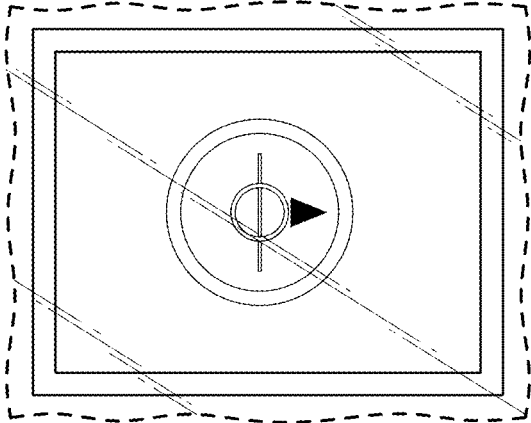


FIG. 2

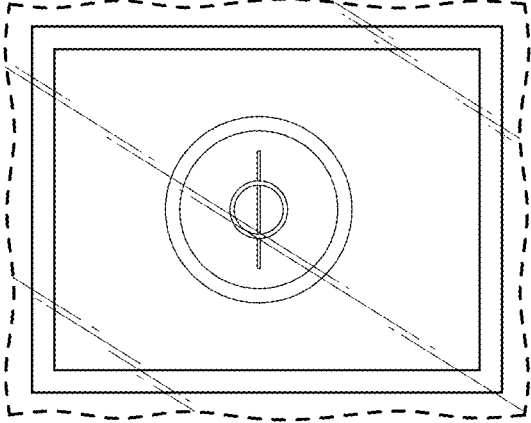


FIG. 3

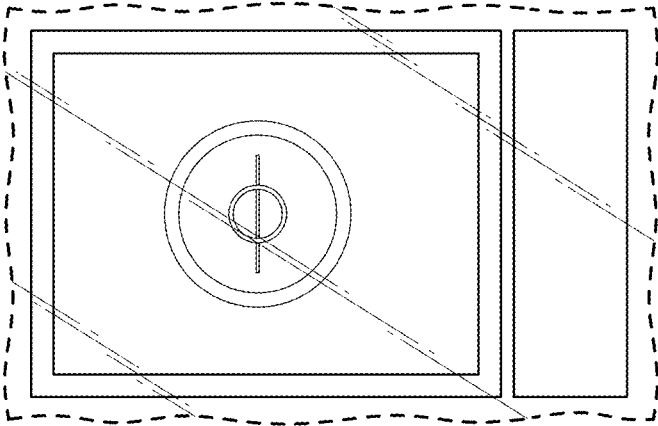


FIG. 6

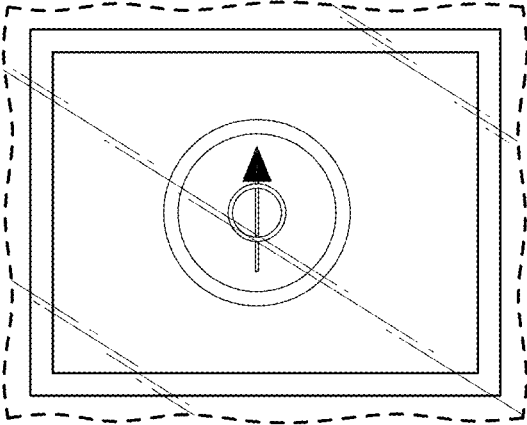


FIG. 5

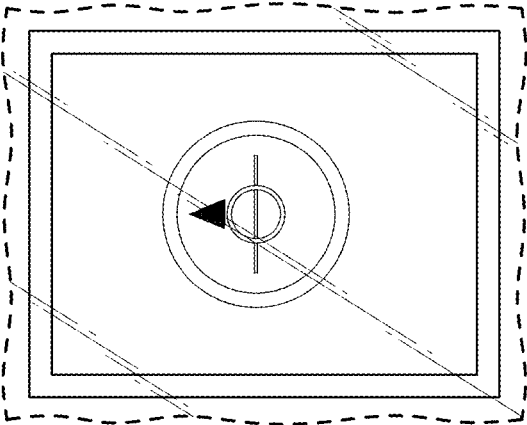


FIG. 4

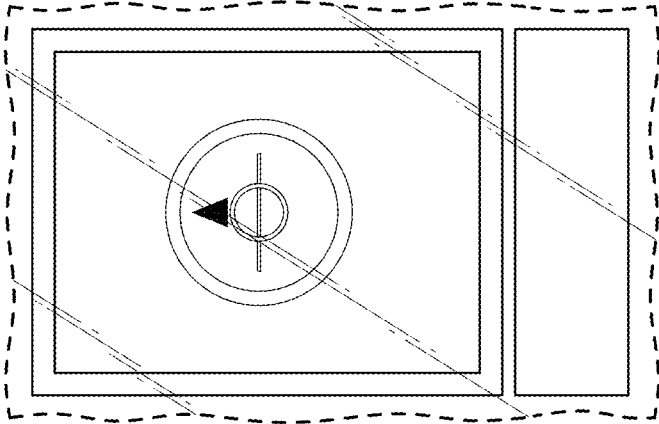


FIG. 7

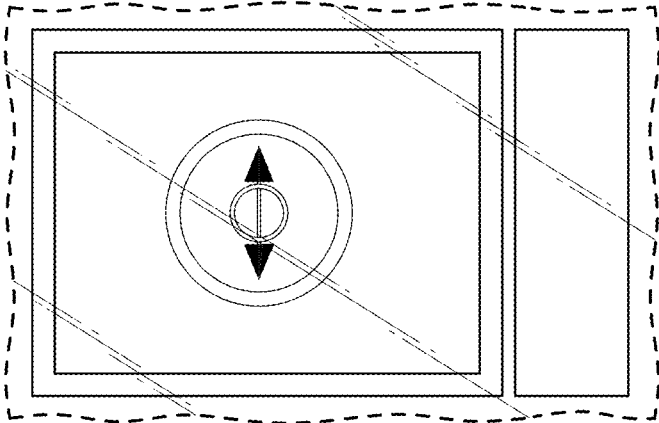


FIG. 8

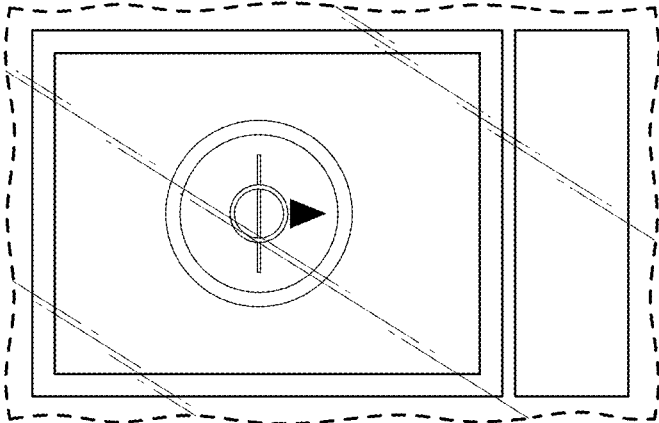


FIG. 9

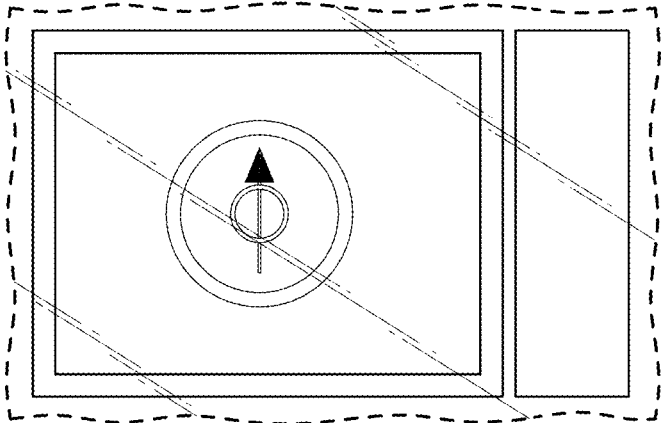


FIG. 10