



(12) **DEMANDE DE BREVET CANADIEN
CANADIAN PATENT APPLICATION**

(13) **A1**

(86) Date de dépôt PCT/PCT Filing Date: 2020/07/30
 (87) Date publication PCT/PCT Publication Date: 2021/02/04
 (85) Entrée phase nationale/National Entry: 2022/01/28
 (86) N° demande PCT/PCT Application No.: IB 2020/000650
 (87) N° publication PCT/PCT Publication No.: 2021/019304
 (30) Priorités/Priorities: 2019/07/30 (US62/880,230);
 2020/06/05 (US63/035,539); 2020/07/30 (US16/943,045)

(51) Cl.Int./Int.Cl. *B65D 83/00* (2006.01)
 (71) Demandeur/Applicant:
 VOYAGER PRODUCTS INC., CA
 (72) Inventeurs/Inventors:
 GIAMPUZZI, PAOLO ANTON, CA;
 BARAK, ELAD, CA
 (74) Agent: CHATTERJEE, JAIDIP

(54) Titre : SYSTEME ET PROCEDE POUR DISTRIBUER DES LIQUIDES
 (54) Title: SYSTEM AND METHOD FOR DISPENSING LIQUIDS

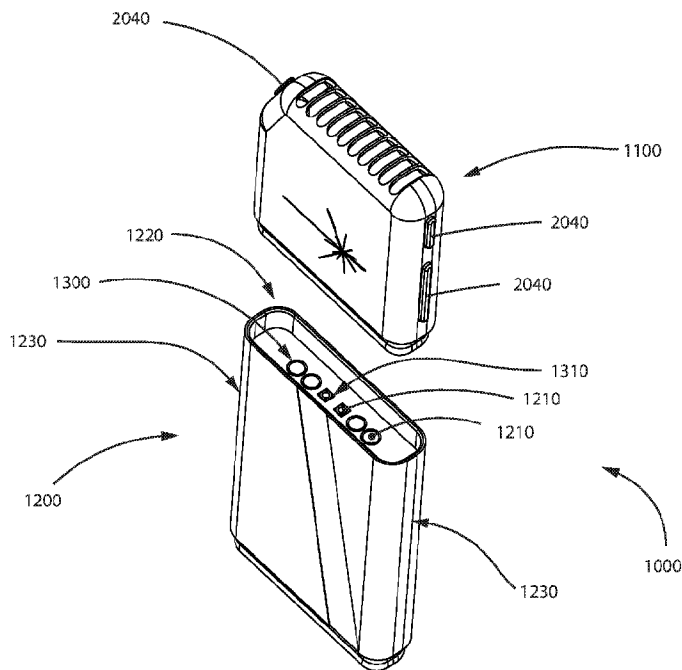


FIG. 2A

(57) **Abrégé/Abstract:**

The present invention is directed to a dispensing system, device, and method for the dispensing of a fluid supplement such as in the form of a concentrated fluid containing flavoring, nutrients, medication, and/or other supplements. Certain embodiments of the invention as disclosed herein comprise a handheld apparatus which allows the dispensing of predetermined amount of a fluid with single-handed use. Certain embodiments include self-contained pods which is controlled by a removable dispenser to allow for multiple types of fluids, and preventing cross-contamination within the dispenser.

(12) INTERNATIONAL APPLICATION PUBLISHED UNDER THE PATENT COOPERATION TREATY (PCT)

(19) World Intellectual Property
 Organization
 International Bureau



(10) International Publication Number
WO 2021/019304 A4

(43) International Publication Date
 04 February 2021 (04.02.2021)

- (51) International Patent Classification:
B65D 83/00 (2006.01)
- (21) International Application Number:
 PCT/IB2020/000650
- (22) International Filing Date:
 30 July 2020 (30.07.2020)
- (25) Filing Language:
 English
- (26) Publication Language:
 English
- (30) Priority Data:
 62/880,230 30 July 2019 (30.07.2019) US
 63/035,539 05 June 2020 (05.06.2020) US
 16/943,045 30 July 2020 (30.07.2020) US
- (71) Applicant: **VOYAGER PRODUCTS INC.** [CA/CA]; 1
 University Ave, 3rd Floor, Toronto, Ontario, M5J 2P1
 (CA).
- (72) Inventors: **BARAK, Elad**; 11 Brunel Court, Unit 1001,
 Toronto, Ontario, M5V 3Y3 (CA). **GIAMPUZZI, Pao-**

lo, Anton; 1467 Adamson Street, Mississauga, Ontario,
 L5C2Z4 (CA).

- (81) Designated States (*unless otherwise indicated, for every kind of national protection available*): AE, AG, AL, AM, AO, AT, AU, AZ, BA, BB, BG, BH, BN, BR, BW, BY, BZ, CA, CH, CL, CN, CO, CR, CU, CZ, DE, DJ, DK, DM, DO, DZ, EC, EE, EG, ES, FI, GB, GD, GE, GH, GM, GT, HN, HR, HU, ID, IL, IN, IR, IS, IT, JO, JP, KE, KG, KH, KN, KP, KR, KW, KZ, LA, LC, LK, LR, LS, LU, LY, MA, MD, ME, MG, MK, MN, MW, MX, MY, MZ, NA, NG, NI, NO, NZ, OM, PA, PE, PG, PH, PL, PT, QA, RO, RS, RU, RW, SA, SC, SD, SE, SG, SK, SL, ST, SV, SY, TH, TJ, TM, TN, TR, TT, TZ, UA, UG, US, UZ, VC, VN, WS, ZA, ZM, ZW.
- (84) Designated States (*unless otherwise indicated, for every kind of regional protection available*): ARIPO (BW, GH, GM, KE, LR, LS, MW, MZ, NA, RW, SD, SL, ST, SZ, TZ, UG, ZM, ZW), Eurasian (AM, AZ, BY, KG, KZ, RU, TJ, TM), European (AL, AT, BE, BG, CH, CY, CZ, DE, DK, EE, ES, FI, FR, GB, GR, HR, HU, IE, IS, IT, LT, LU, LV, MC, MK, MT, NL, NO, PL, PT, RO, RS, SE, SI, SK, SM,

(54) Title: SYSTEM AND METHOD FOR DISPENSING LIQUIDS

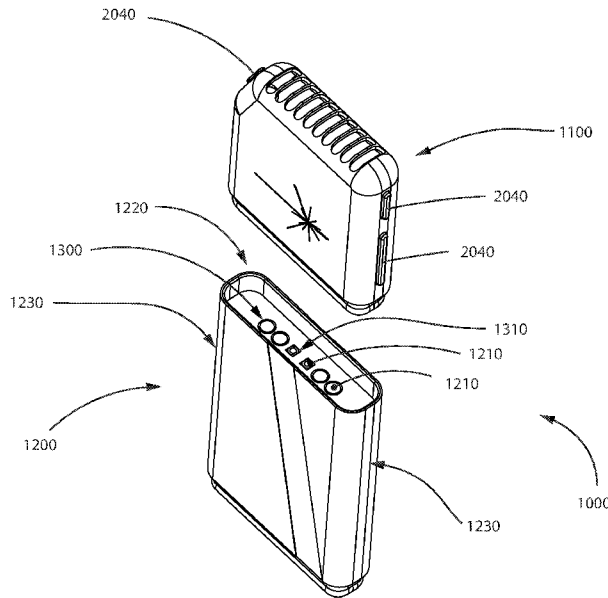


FIG. 2A

(57) Abstract: The present invention is directed to a dispensing system, device, and method for the dispensing of a fluid supplement such as in the form of a concentrated fluid containing flavoring, nutrients, medication, and/or other supplements. Certain embodiments of the invention as disclosed herein comprise a handheld apparatus which allows the dispensing of predetermined amount of a fluid with single-handed use. Certain embodiments include self-contained pods which is controlled by a removable dispenser to allow for multiple types of fluids, and preventing cross-contamination within the dispenser.



WO 2021/019304 A4

WO 2021/019304 A4 

TR), OAPI (BF, BJ, CF, CG, CI, CM, GA, GN, GQ, GW,
KM, ML, MR, NE, SN, TD, TG).

Declarations under Rule 4.17:

- *as to applicant's entitlement to apply for and be granted a patent (Rule 4.17(ii))*
- *as to the applicant's entitlement to claim the priority of the earlier application (Rule 4.17(iii))*

Published:

- *with international search report (Art. 21(3))*
- *with amended claims (Art. 19(1))*
- *with information concerning incorporation by reference of missing element or part (Rule 20.6)*

Date of publication of the amended claims:

15 April 2021 (15.04.2021)

SYSTEM AND METHOD FOR DISPENSING LIQUIDS

CROSS REFERENCE TO RELATED APPLICATIONS

[0001] This application claims benefit to U.S. Provisional Patent Application No. 62/880,230, entitled “SYSTEM AND METHOD FOR DISPENSING LIQUIDS”, filed July 30, 2019; and U.S. Provisional Patent Application No. 63/035,539 entitled “SYSTEM AND METHOD FOR DISPENSING LIQUIDS”, filed on June 5, 2020, which are incorporated by reference in their entireties for all purposes.

FIELD OF THE INVENTION

[0002] The present invention is directed to a dispensing device, system, and method for the dispensing of a fluid supplement. The dispensing of fluids, such as in the form of a concentrated fluid containing flavoring, nutrients, medication, and/or other supplements. The system as provided in certain embodiments, comprises a handheld apparatus which allows the dispensing of predetermined amount of a fluid with single-handed use.

BACKGROUND OF THE INVENTION

[0003] The use of concentrates for the addition of a supplement is a common method of administering supplements — such as vitamins, medication, and electrolytes. Particularly in the field of administering medication, the practice of using fluids has been adopted for ease of use, for those that have difficulty swallowing, as well as those that simply prefer to administer their supplements in fluid form to imbibe with a beverage. Recently the use of cannabis-based medications and treatments have increased in use, however the traditional means of ingesting cannabis-based medications including compounds such as tetrahydrocannabinol (THC) or cannabidiol (CBD) may be impractical, socially unacceptable, inappropriate, or undesirable.

[0004] A traditional means of ingesting or administering cannabis-based medications is the inhalation of smoke generated through the burning of portions of the cannabis plant. This

method is imprecise with regard to the dosage to an individual and is increasingly discouraged in public settings. Furthermore, the inhalation of smoke are not recommended for certain users — such as children, the elderly, and those who are in a state of respiratory compromise — who may benefit from the use of cannabis derived compounds. For instance, cannabis derived compounds are used frequently for patients undergoing chemotherapy in efforts to stimulate hunger. Furthermore, in the medical community, there have been clinical findings which indicate that the use of CBD assists in the treatment and reduction of seizures in children suffering from severe forms of epilepsy such as Lennox-Gastaut syndrome and Dravet Syndrome.

[0005] Another popular means for the ingesting of cannabis-based compound surrounds the act of “vaping,” which operate on a similar basis as electronic cigarettes. Vaping surrounds the vaporization of a fluid within which the cannabis compound is contained. Pulmonary health concerns exist surrounding the act of vaping as vaping has shown in some clinical trials to result in inflammation of the lungs and lung damage. In some cases, vaping has been attributed as a cause of death in some individuals. A further risk associated with vaping surrounds the dosage. The dose amount when vaping is heavily dependent upon a user and the amount they inhale.

[0006] A more recent means of ingesting or administering cannabis-based medications is the oral ingestion of prepared edible portions which are prepared in a form such as cookies, gummy candies, or other edible forms. This method, although more precise and less likely to create corresponding health-risks, is still imprecise and is unable to be personalized for a specific user to provide appropriate dosage, track dosage, and to prevent over-dosage. Furthermore, mistakenly ingesting such edibles may create unsafe situation such as overdosing which results in an undesirable psychological state, particularly with children.

[0007] For reasons such as those discussed above, there is a need for a apparatus and method for the administration of cannabis-based supplements in a precise, safe, and discrete manner.

SUMMARY OF THE INVENTION

[0008] It is an aspect of the present invention to provide a device and method for the accurate and precise dispensing of a fluid. The present invention surrounds the use of a dispenser unit which interconnects with interchangeable pods for the purposes of dispensing different fluids. The dispenser unit reads and records unique identifying information from the pod by reading a unique identifier or using a digital key to gain access to the dispenser function. The identifying information includes, but is not limited to minimum dosage, maximum dosage, potency, viscosity, electric requirements for pod operation, remaining fluid in the pod, recommended intervals for dosing, and predefined dose.

[0009] The interchangeability of pods with the dispenser allows a user to easily change the fluid, which is dispensed by the device, thereby negating the need to completely exhaust a first pod prior to using a second pod, and allowing a user to dispense different fluids without the need to carry multiple devices. Rather a user may carry a single dispenser and a plurality of pods which are configured to interconnect with the dispenser.

[0010] It is an aspect of the present invention to prevent accidental or unauthorized dispensing of fluid from a pod of certain embodiments. A combination of one-way valves, and anti-suction elements prevent the leakage of fluid from a pod. A one-way valve intended for filling the pod for instance, allows the filling of a reservoir from an external aspect of the pod, but does not allow flow of the liquid in the opposite direction.

[0011] Furthermore, a one-way valve intended for dispensing a fluid in certain embodiments for instance, allows flow of fluid from the pod to an external aspect of the pod further. The one-way valve further comprises an anti-suction feature. For instance, certain embodiments comprise an anti-suction channel connecting the external aspect of the one-way valve to an

aspect of the pod wherein a user is unable to place their mouth over the one-way valve to suck the fluid from the pod. Sucking on the dispensing region of a pod would only result in drawing air from an external aspect of the pod located away from the one-way valve.

[0012] Many portable devices for the ingesting of a fluid, such as vape pens and electronic cigarettes, rely on the user to draw in the fluid with their breath. This mode of delivery is imprecise and unreliable.

[0013] It is an aspect of the present invention to provide a repeatable, reliable, and precise means for dispensing a fluid for ingestion. A dispenser and pod of certain embodiments allows the repeatable delivery of a predetermined amount. Furthermore, the dispenser tracks the amount dispensed, time of dispensing, and type of fluid dispensed.

[0014] It is a further aspect of the present invention that a dispenser interconnects with disposable or reusable pods wherein the fluid is contained. The pods have a self-contained dispensing mechanism actuated by the dispenser. Thus, the dispenser does not have direct contact with fluid and does not require cleaning. Furthermore, the lack of direct contact of fluid with the dispenser prevents cross-contamination of fluids when changing pods.

[0015] These and other advantages will be apparent from the disclosure of the inventions contained herein. The above-described embodiments, objectives, and configurations are neither complete nor exhaustive. As will be appreciated, other embodiments of the invention are possible using, alone or in combination, one or more of the features set forth above or described in detail below. Further, this Summary is neither intended nor should it be construed as being representative of the full extent and scope of the present invention. The present invention is set forth in various levels of detail in this Summary, as well as in the attached drawings and the detailed description below, and no limitation as to the scope of the present invention is intended to either the inclusion or non-inclusion of elements, components, etc. in this Summary. Additional aspects of the present invention will become

more readily apparent from the detailed description, particularly when taken together with the drawings, and the claims provided herein.

BRIEF DESCRIPTION OF THE DRAWINGS

[0016] **Fig. 1** — A front view of certain embodiments of a device for dispensing fluids.

[0017] **Fig. 2A** — A perspective exploded view of a device for dispensing fluids comprising a dispenser and a removably interconnected pod.

[0018] **Fig. 2B** — A perspective exploded view of a device for dispensing fluids comprising a dispenser and a removably interconnected pod.

[0019] **Fig. 3** — A diagrammatic system representation of certain embodiments of a device for dispensing a fluid.

[0020] **Fig. 4A** — A perspective exploded view of a device for dispensing fluids comprising a pod.

[0021] **Fig. 4B** — A front cross-sectional view of a device for dispensing fluids comprising a pod.

[0022] **Fig. 5A** — A perspective exploded view of a device for dispensing fluids comprising a pod.

[0023] **Fig. 5B** — A side cross-sectional view of a device for dispensing fluids comprising a pod.

[0024] **Fig. 6A** — A side cross-sectional view of a device for dispensing fluids comprising a pod in an intake stroke configuration.

[0025] **Fig. 6B** — A side cross-sectional view of a device for dispensing fluids comprising a pod in an ejection stroke configuration.

[0026] **Fig. 7** — A front cross-sectional view of a device for dispensing fluids comprising a pod.

[0027] **Fig. 8** — A perspective exploded view of a device for dispensing fluids comprising a pod.

[0028] **Fig. 9** — A diagrammatic representation of a method for dispensing fluids.

DETAILED DESCRIPTION OF VARIOUS EMBODIMENTS

[0029] Certain embodiments of the present invention, shown in **Fig. 1 – Fig. 3**, comprises a device **1000** for the dispensing of fluids, the device comprises a dispenser **1100** and a pod **1200**. The dispenser **1100** comprises a power source **2000**, central processing unit or controller (CPU) **2010**. As shown, a bottom surface **1105** of the dispenser is configured to interconnect with a top aspect **1220** of the pod. It will be appreciated that the interconnection of the dispenser **1100** with the pod **1200** using alternative sides is within the spirit and scope of the present invention. When the dispenser **1100** is interconnected with the pod **1200**, the dispenser **1200** is able to actuate the dispensing of a fluid from the pod **1200** by sending electrical signals from electrical connections **1110** of the dispenser, through electrical connections **1210** of the pod to the pod **1200**. It will be appreciated that it is within the spirit and scope of the present invention send electromagnetic signals through electrical connections **1110**. The dispenser **1100** of certain embodiments interconnects to the pod through use of electrical connections **1110**, such as **1310** which comprise magnets **1300**. The magnets **1300** of certain embodiments are located on the pod **1200**, alternate embodiments comprise magnets **1300** on the dispenser **1100**, and further alternate embodiments comprise magnets **1300** on pod **1200** and dispenser **1100**. The magnets **1300** of such embodiments provide a mechanical connection between the pod **1200** and dispenser **1100**. It will be appreciated that alternative mechanical connections known to those skilled in the art are within the spirit and scope of the present invention.

[0030] In certain embodiments, seen in **Fig. 2A – Fig. 3**, comprise a pod **1200** having a plurality of magnets **1300** configured to interconnect with a plurality of magnets **1300** of a

dispenser. In such certain embodiments, the pod **1200** and the dispenser **1100** are configured to be interconnected with the pod **1200** in a first orientation, or a second orientation wherein the pod **1200** is rotated 180-degrees from the first orientation wherein the magnets **1300** of the dispenser, and the magnets **1300** of the pod are configured to interconnect in either the first orientation or the second orientation.

[0031] Certain embodiments, seen in **Fig. 2A – Fig. 3**, comprise a pod **1200** having a plurality of magnets **1300** configured to interconnect with a plurality of magnets **1300** of a dispenser. It may be desired to prevent the interconnection of a dispenser **1100** in a manner other than intended. Accordingly, the magnets **1300** of certain embodiments are configured in an asymmetric manner to prevent the mating of the dispenser to the pod in a manner other than intended. Further still, certain embodiments comprise a configuration of magnets **1300** on a pod wherein the poles (North and South) of the magnets prevent interconnecting the pod **1200** to the dispenser **1100** incorrectly. For instance, certain embodiments comprise four magnets embedded into a surface of the pod **1200**, typically a top aspect **1220**, wherein a first pair of magnets **1300** adjacent to a first side **1230** of the pod are directed with a first polarity toward the top aspect **1220**, and a second pair of magnets adjacent to a second side **1230** of the pod are directed with a second polarity toward the top aspect **1220**. Accordingly, a dispenser **1100** having magnets **1300** configured to interconnect with the magnets **1300** of the pod having opposite polarities, are able to interconnect when the pod **1200** is aligned in the intended orientation. However, if a user attempts to interconnect the pod **1200** with the dispenser **1100** with the pod rotated 180-degrees from the intended orientation for instance, the magnets **1300** of the pod will align with magnets of the dispenser having matching polarities resulting in the dispenser **1100** and pod **1100** repelling each other and preventing the interconnection of the pod **1200** and dispenser **1100**.

[0032] In certain embodiments, shown in **Fig. 2A – Fig. 2B**, a top aspect **1220** of a pod comprises a first and second electrical contacts **1210** comprising spring-loaded electrical connectors **1310**. The electrical contacts allow the electrical connection between the dispenser **1100** and the pod **1200**, and allows the dispenser **1100** to send electrical signals to the pod to dispense an amount of fluid. Certain embodiments comprise spring-loaded electrical connectors **1310** often referred to as “pogo-pins” by those skilled in the art. Certain embodiments comprise the electrical connections **1110** of the dispenser comprising spring-loaded electrical connectors **1310**.

[0033] Certain embodiments comprising a pod **1200**, shown in **Fig. 4A** comprise a body **3000** surrounded by a sleeve **3100**. In certain embodiments the sleeve **3100** is slidably disposed over the body **3000** of the pod. In certain embodiments a sleeve is disposed around the body of the pod, thereby obscuring view and access to portions of the body of the pod except a top aspect **1220** and bottom aspect **1225** of the pod.

[0034] A pod **1200** of certain embodiments, as shown in **Fig 4A – Fig. 4B** comprises a body **3000** having a fill-port **3200** comprising a one-way valve **3210** disposed in an external surface of the body **3000**. The one-way valve **3210** provides fluid communication between an external aspect of the body and a reservoir **3300** disposed within the body **3000**. The fill-port **3200** is typically configured to be adjacent to a top aspect **1220** of the body when the body is held in an orientation for dispensing. However, it will be appreciated that a fill port **3200** can be located adjacent to other aspects of the body **3000** — such as a bottom aspect, or side aspect — while in keeping with the spirit and scope of the present invention.

[0035] In certain embodiments, shown in **Fig. 4B**, the reservoir **3300** comprises a cavity within the body **3000** wherein the fluid can be contained and drawn from for the dispensing of the fluid. The reservoir comprises a volume having a bottom aspect **3310** further comprising a sump **3320**. It will be appreciated that the term sump refers to a low point, pit,

hollow, or concavity configured to accumulate fluid. A sump **3320** is typically disposed at the lowest point of the reservoir **3300** when the body **3000** is held in an orientation for dispensing and thus preventing air from entering into the siphon tube **3400** and into the pump **4000** (**Fig. 5A**).

[0036] In certain embodiments, again referencing **Fig. 4B**, a siphon tube **3400** is disposed within the sump **3320** of the reservoir to draw fluid from the reservoir **3300** when fluid is dispensed. While embodiments illustrated herein show a siphon tube **3400** which is configured to draw fluid upward from the sump **3320** of the reservoir, it will be appreciated that alternate embodiments comprising a siphon tube **3400** configured to draw fluid downward or laterally from the reservoir **3300** is within the spirit and scope of the present invention. In certain embodiments, the siphon tube **3400** is configured to draw fluid upward from the sump **3320** of the reservoir, wherein the siphon tube **3400** is interconnected with the sump **3320** of the reservoir, and further comprises apertures **3410** through the siphon tube **3400**, wherethrough the fluid is drawn from the reservoir **3300** and into the siphon tube **3400**. The apertures **3410** are located at the bottom of the sump **3320**, further preventing air from entering the siphon tube **3400** or the pump **4000**.

[0037] A pump **4000** of certain embodiments, shown in **Fig. 4B – Fig. 5B** is disposed within the body **3000**, wherein the pump **4000** has fluid communication the reservoir **3300** through a siphon tube **3400**. In certain embodiments a one-way valve **3210** is disposed between the siphon tube **3400** and the reservoir **3300** wherein the fluid passes through the one-way valve **3210** before entering the pump **4000**. It will be appreciated that alternate embodiments wherein the one-way valve **3210** is disposed between the siphon tube **3400** and the reservoir **3300** are within the spirit and scope of the present invention.

[0038] In certain embodiments, seen in **Fig. 5A**, a pump **4000** comprises a diaphragm pump comprising an O-ring **4010**, a diaphragm **4020**, and a compression element **4030**. The O-ring

4010 of certain embodiments is disposed against a bottom aspect **4110** of a threaded recess **4100** of the body. In certain embodiments, a first face **4021** of the diaphragm is disposed against the O-ring **4010**, and the threaded compression element **4030** is disposed against a second face **4022** of the diaphragm. The threaded compression element **4030** is configured to threadably interconnect with the threaded recess **4100** of the body in order to impart pressure on the second face **4022** of the diaphragm. When the threaded compression element **4030** is threadably interconnected with the threaded recess **4100** and threadably advanced, the threaded compression element **4030** imparts pressure on the second face **4022** of the diaphragm, thereby resulting in the first face **4021** of the diaphragm imparting pressure on the O-ring **4010**. When pressure is imparted on the O-ring **4010**, the O-ring compresses and deforms thereby creating a seal between the O-ring **4010** and the bottom aspect **4110** of the threaded recess and a seal between the O-ring **4010** and the first face **4021** of the diaphragm.

[0039] In certain embodiments, a pump **4000** is assembled within the body **3000** wherein the pump **4000** and associated elements are integrated with the body **3000** through the use of soldering, welding, over-molding, adhesive, or other methods appreciated by those skilled in the art.

[0040] It will be appreciated that a diaphragm pump, sometimes referred to as a membrane pump, is a positive displacement pump that uses a combination of a reciprocating action of a flexible membrane to pump a fluid. It will be appreciated that the diaphragm of a diaphragm pump **4000** of various embodiments comprise rubber, thermoplastics, Teflon® and/or metal while remaining within the spirit and scope of the present invention.

[0041] Certain embodiments, shown in **Fig. 5A – Fig. 6B** comprise a diaphragm pump **4000** which actuates an intake stroke **4500** and ejection stroke **4600** using piezoelectric effects. When power is supplied to the pump **4000**, the diaphragm **4020** deforms away from the body **3000** in an intake stroke **4500**, drawing fluid into the pump **4000** through the inlet port **4200**.

When power is cut from the pump **4000**, the diaphragm **4020** rebounds to its resting configuration toward the body **3000** in an ejection stroke **4600**, forcing fluid out of the pump through the outlet port **4300**. In an intake stroke **4500**, the diaphragm pump **4000** creates a suction action wherein fluid is drawn from the reservoir **3300**, through the siphon tube **3400**, through a one-way valve **3210**, and through an inlet port **4200** into the pump **4000**. In an ejection stroke **4600**, the diaphragm pump **4000**, the diaphragm creates a positive pressure, forcing the fluid out of the pump **4000** through an outlet port **4300**.

[0042] In certain embodiments (Fig. 5A) a diaphragm pump **4000** comprises a concave **4400** surface wherein the inlet port **4200** and outlet port **4300** are disposed. The concave surface **4400** is configured to interface with the diaphragm **4020** of the diaphragm pump and control the pump “one-stroke” capacity. In certain embodiments, the inlet port **4200** is located in the concave surface **4400**, offset from a central aspect of the concave surface **4400**. In certain embodiments, the outlet port **4300** is located in the concave surface **4400**, adjacent or coincident with the central aspect of the concave surface **4400**. The proximity of the outlet port **4300** to the center of the concave surface **4400** allows for most power is in the center more complete ejection of all fluid in the diaphragm pump **4000** during an ejection stroke **4600** (Fig. 6B). In certain embodiments the concavity of the concave surface **4400** is configured to match the curvature of the diaphragm **4020** in an ejection stroke **4600**.

[0043] In certain embodiments, an outlet duct **5000** is connected to the outlet port **4300**. The outlet duct **5000** provides fluid communication between the outlet port **4300** and an external aspect of the pod **1200**. In certain embodiments, an outlet **5100** comprising a one-way valve **3210** is disposed between the outlet duct **5000** and an external aspect **6000** of the pod. The one-way valve **3210** allows fluid flow only in the direction from the outlet duct **5000** to the external aspect **6000** of the pod. In certain embodiments the one-way valve **3210** between

the outlet duct **5000** and the external aspect **6000** of the pod is disposed on a bottom aspect **1225** of the body of the pod.

[0044] In certain embodiments an anti-suction channel **5500** is in gaseous communication with the outlet valve **3210** and the fill-port **3200** of the pod. The anti-suction channel **5500** provides an air-filled volume which serves multiple purposes. A first purpose of the anti-suction channel **5500** is to provide make-up air for the fill-port **3200**. As fluid is dispensed, this creates a suction in the reservoir **3300** (**Fig. 4B**) which is relieved by the fill-port **3200** permitting the passage of air from the anti-suction channel **5500** into the reservoir **3300**. A second purpose of the anti-suction channel **5500** is to prevent the misuse of the pod whereby an individual attempts to suck fluid from the outlet valve. The anti-suction channel provides an unsealed plenum of ambient air wherein the sucking of air from a bottom aspect of the pod results in drawing air from the anti-suction channel **5500** and gaps between the body **3000** and the sleeve **3100**.

[0045] Certain embodiments, as shown in **Fig. 9**, comprise a method **7000** for the dispensing of a fluid comprise:

- a) Setting **7050** a preferred dose on a dispenser;
- b) Saving **7100** the preferred dose amount to a controller of the dispenser;
- c) Connecting **7150** a pod to the dispenser;
- d) Reading **7200** pod information from the pod, and saving the pod information to the dispenser;
- e) Communicating **7250** wirelessly the pod information from the dispenser to a connected computing device;
- f) Depressing **7300** a button disposed on the dispenser;
- g) Sending electrical signal **7350** to the pod to actuate an intake stroke;

- h) Actuating the intake stroke **7400** of a diaphragm pump resulting in drawing the fluid from a reservoir, through a first one-way valve, through an inlet port, and into the diaphragm pump;
- i) Cutting electrical signal **7450** of the electrical signal resulting in actuating an ejection stroke of the diaphragm pump;
- j) Ejecting **7500** the fluid from the diaphragm pump through an outlet port and through a second one-way valve;
- k) Dispensing **7550** the fluid from the pod;
- l) Recording dispensed amount **7600** and time of dispensing to the dispenser;
- m) Recording remaining amount **7650** of fluid to the

- m) Recording remaining amount **7650** of fluid to the pod; and
- n) Displaying **7700** the remaining amount of fluid remaining.

[0046] In certain embodiments, a user sets **7050** a preferred dose amount which is saved **7100** to the controller of the dispenser. The dispenser is configured to be removably connected to a pod, and when a user connects **7150** a pod to the dispenser, the dispenser reads **7200** the information from the pod and stores it on the controller. In certain embodiments, the reading step **7200** comprises reading a max dosage permitted for dispensing in a predetermined time period. Certain embodiments further comprise a comparing **7325** step performed prior to the sending electrical signal **7350** step. The comparing step **7325** compares the recorded dispensed amount from previous recording steps **7650** in the predetermined time period prior to the depressing **7300** of the button. If the recorded amount dispensed within the predetermined time period prior to the depressing step **7300** is equal to or greater than the max dosage, the dispenser will not send an electrical signal **7350**, thus preventing the dispensing in excess of the max dosage within the predetermined time period. After a max dosage in the predetermined time period is reached, the dispenser will not further dispense fluid until enough time has passed such that less than the max dosage has been dispensed in the predetermined time period prior to the depressing **7300** of the button on the dispenser. I

[0047] The dispenser of certain embodiments, shown in **Fig. 3**, further comprises a wireless module **2020** which allows wireless communication with other computing devices **2030** such as a smart phone, computer, or other computing device having local network or internet connectivity. The dispenser of certain embodiments further comprises user input devices, such as buttons **2040**, a display **2050**, a USB port **2060** for wired connection to other computing devices, a charging circuit **2070**, a battery for power storage **2000**, a voltage regulator **2080**, a

driver **2090** for the delivery of electrical signals from the dispenser to a pod, electrical connections for the purposes of providing power and electrical signals between the dispenser and pod, and electrical connections for the purpose allowing the reading and writing of data between the dispenser and the pod.

[0048] In certain embodiments, the pod comprises memory storage **2110** wherein the dispenser can store the data associated with the dispensed amount, date of dispensing, and/or the amount of fluid remaining in the pod. Certain embodiments of the pod comprises a piezo-electric crystal **2100**.

[0049] In certain embodiments as shown in **Fig. 9** — user input, such as the depressing of a button **2040** (**Fig. 1 – Fig. 3**) indicates to the dispenser that the user wishes to dispense the pre-programmed desired amount of fluid. The depressing **7300** of the button initiates the controller sending **7350** electrical signals through the driver and through the driver to the pod. The electrical signal actuates **7400** the pump into an intake stroke wherein the diaphragm deflects from the body and away from the concave surface of the body. During the intake stroke the fluid is drawn from the reservoir, through the siphon tube, and through a first one-way valve into the pump. Following the intake stroke, terminating the electrical signal **7450** results in the diaphragm deflecting toward the concave surface in an ejection stroke, thereby ejecting **7500** the fluid from the pump through an outlet port of the pump, through an outlet duct, and through a one-way valve and thereby dispensing **7550** the fluid. Following the dispensing of fluid, in certain embodiments, the dispenser records **7600** the dispensed amount and time of dispensing to the dispenser. In certain embodiments, the method further comprises a step wherein the dispenser records **7650** the amount remaining within the pod to the memory of the pod.

[0050] In certain embodiments comprising a dispenser, the dispenser further comprises a tilt sensor 2200 (Fig. 3), wherein the dispense does not send an electrical signal unless the device is in an upright orientation (Fig. 1) or substantially upright to ensure dispensing in the right direction and prevent air from entering the pump. It will be appreciated that a tilt sensor 2200 of certain embodiments comprises an accelerometer to measure the direction of gravitational acceleration, thus confirming the upright orientation of the pod prior to dispensing.

[0051] While various embodiments of the present invention have been described in detail, it is apparent that modifications and alterations of those embodiments will occur to those skilled in the art. However, it is to be expressly understood that such modifications and alterations are within the scope and spirit of the present invention. Further, the inventions described herein are capable of other embodiments and of being practiced or of being carried out in various ways. In addition, it is to be understood that the phraseology and terminology used herein is for the purposes of description and should not be regarded as limiting. The use of “including,” “comprising,” or “adding” and variations thereof herein are meant to encompass the items listed thereafter and equivalents thereof, as well as, additional items.

AMENDED CLAIMS
received by the International Bureau on 25.02.2021

CLAIMS

What is claimed is:

1. A device for the dispensing of a fluid comprising:
 - a pod comprising a body, the body comprising a reservoir therein, the reservoir configured to contain a fluid;
 - the body further comprising a pump, the pump comprising an inlet port interconnected with the reservoir;
 - the pump further comprises an outlet port interconnected with an outlet duct, the outlet duct having fluid communication with an external aspect of the body;
 - a dispenser having a first side configured to removably interconnect with the pod;
 - the dispenser further comprising a power source to actuate the pump; and
 - a tilt sensor configured to determine orientation of the device,
 - wherein the pump dispenses the fluid from the reservoir, through the outlet duct to the external aspect of the body,
 - wherein if the tilt sensor detects the device in an upright position, the dispenser allows the actuation of the pump, and
 - wherein if the tilt sensor detects the device is not in an upright position, the dispenser does not allow the actuation of the pump.
2. (Cancelled)
3. The device of claim 1, further comprising a first one-way valve interconnected with a first side of the body,

wherein the first one-way valve is in fluid communication between the external aspect of the body and the reservoir, allowing fluid flow from the external aspect of the body toward the reservoir.

4. The device of claim 3, further comprising a second one-way valve interconnected between the outlet duct of the pump and the external aspect of the body.
5. The device of claim 4, wherein the second one-way valve is interconnected with a second side of the body.
6. The device of claim 5, wherein the second side of the body comprises a bottom aspect of the body.
7. The device of claim 6, wherein the pump comprises a diaphragm pump.
8. The device of claim 7, wherein the inlet port of the pump is offset from a central aspect of the pump; and

the outlet port coinciding with the central aspect of the pump.

9. The device of claim 7, wherein the diaphragm pump further comprises a concave surface wherethrough the inlet port enters the diaphragm pump, and wherethrough the outlet port exits the diaphragm pump.
10. The device of claim 9, wherein the diaphragm pump further comprises a diaphragm having electrical connections for interconnection to the power supply of the device.
11. The device of claim 10, wherein applying electrical power to the diaphragm results in deflection of the diaphragm away from the concave surface, thereby drawing fluid from the reservoir into the diaphragm pump through the inlet port of the diaphragm pump, and

wherein terminating the electrical power to the diaphragm results in the bending of the diaphragm toward the concave surface, thereby pushing fluid from the diaphragm pump through the outlet port of the diaphragm pump.

12. The device of claim 6, further comprising a siphon tube interconnected between the inlet port of the pump and the reservoir.

13. The device of claim 12, wherein the siphon tube is interconnected with a sump of the reservoir.

14. The device of claim 13, wherein the siphon tube further comprises apertures adjacent to the sump,

wherein the fluid is drawn through the apertures into the siphon tube, and into the pump.

15. The device of claim 12, further comprising a third one-way valve having fluid communication between the siphon tube and the inlet port of the pump,

wherein the third one-way valve allows fluid flow from the reservoir toward the inlet port of the pump.

16. The device of claim 4, further comprising:

a channel extending between the first one-way valve and the second one-way valve,

wherein the channel allows gaseous communication between the first one-way valve and the second one-way valve.

17. The device of claim 1, wherein the first side of the dispenser comprises electrical connections configured to interconnect with electrical connections of the pod, the electrical connections of the pod interconnected with an external aspect of the pod.

18. The device of claim 17, wherein the first side of the dispenser further comprises magnets configured to interconnect with magnets in the external aspect of the pod.

19. The device of claim 18, wherein the external aspect of the pod comprises a top aspect of the pod.

20. A device for the dispensing of a fluid comprising:

a body;

a first side of the body comprising a plurality of magnets and electrical connectors, wherein a dispenser comprising a power source configured to interconnect with the plurality of magnets and electrical connectors;

a tilt sensor configured to determine orientation of the device, wherein if the tilt sensor detects the device in an upright position, the dispenser allows the actuation of the pump, and wherein if the tilt sensor detects the device is not in an upright position, the dispenser does not allow the actuation of the pump;

a reservoir disposed within the body;

a first one-way valve disposed in a second side of the body, the first one-way valve having fluid communication with an external aspect of the body and the reservoir, the first one-way valve allowing fluid flow from an external aspect of the body toward the reservoir;

a siphon-tube configured to draw fluid from a sump in the reservoir, the siphon-tube connected to a second one-way valve;

the second one-way valve having fluid communication with the siphon-tube and a diaphragm pump, the second one-way valve allowing fluid flow from the reservoir toward an inlet port of the diaphragm pump;

the diaphragm pump further comprising an electrical connection to a power source;

the diaphragm pump further comprising a concave surface;

the inlet port located in the concave surface and radially offset from a central aspect of the concave surface;

an outlet port located in the concave surface adjacent to a central aspect of the concave surface;

an outlet duct having fluid communication with the outlet port and a third one-way valve;

the third one-way valve disposed in a third side of the body, the third one-way valve having fluid communication with the outlet duct and the external aspect of the body, the third one-way valve allowing fluid flow from the outlet duct toward the external aspect of the body;

the external aspect of the body further comprising a channel in gaseous communication between the first one-way valve and the third one-way valve;

wherein the application of power to the diaphragm pump results in the bending of the diaphragm pump away from the concave surface, thereby drawing fluid from the reservoir through the second one-way valve, through siphon tube, and into the diaphragm pump through the inlet port,

wherein the terminating the electrical signal to the diaphragm pump results in the bending of the diaphragm pump toward the concave surface, thereby pushing fluid from the diaphragm pump through the outlet port, through the outlet duct, and through the third one-way valve to the external aspect of the device.

21. A method for dispensing a fluid comprising:

connecting a pod to a dispenser;

depressing a button disposed on the dispenser;

sensing orientation of the dispenser, wherein the sensing step determines if the orientation of the dispenser is upright, or not upright;

sending an electrical signal from the pod to actuate an intake stroke when the orientation of the dispenser is determined to be upright;

actuating the intake stroke of a diaphragm pump resulting in drawing the fluid from a reservoir, and into the diaphragm pump;
terminating the electrical signal resulting in actuating an ejection stroke of the diaphragm pump;
ejecting the fluid from the diaphragm pump through an outlet; and
dispensing the fluid from the pod.

22. The method of claim 21, further comprising steps of:

setting a preferred dose on a dispenser; and
saving the preferred dose amount to a controller,
wherein the setting step and saving steps are performed prior to the depressing step.

23. The method of claim 22, further comprising steps of:

reading pod information from the pod, and saving the pod information to the dispenser; and
communicating wirelessly the pod information from the dispenser to a connected computing device,
wherein the reading step and communicating steps are performed following the connecting step.

24. The method of claim 23, further comprising steps of:

recording dispensed amount and time of dispensing to the dispenser;
recording remaining amount of fluid to the pod; and
displaying the remaining amount of fluid remaining,

wherein the recording dispensed amount step, the recording remaining amount step, and the displaying steps are performed following the dispensing step.

25. The method of claim 24, wherein the reading step further comprises reading max dosage information comprising a max dosage within a predetermined time period, and saving the max dosage to the dispenser.

26. The method of claim 25, further comprising a comparing step prior to the sending electrical signal step,

wherein the comparing step compares the recorded dispensed amount in the predetermined time period prior to the sending electrical signal step with the max dosage, and

wherein if the recorded dispensed amount within the predetermined time period prior to the sending electrical signal step is equal or greater than the max dosage, the dispenser will not perform the sending electrical signal step.

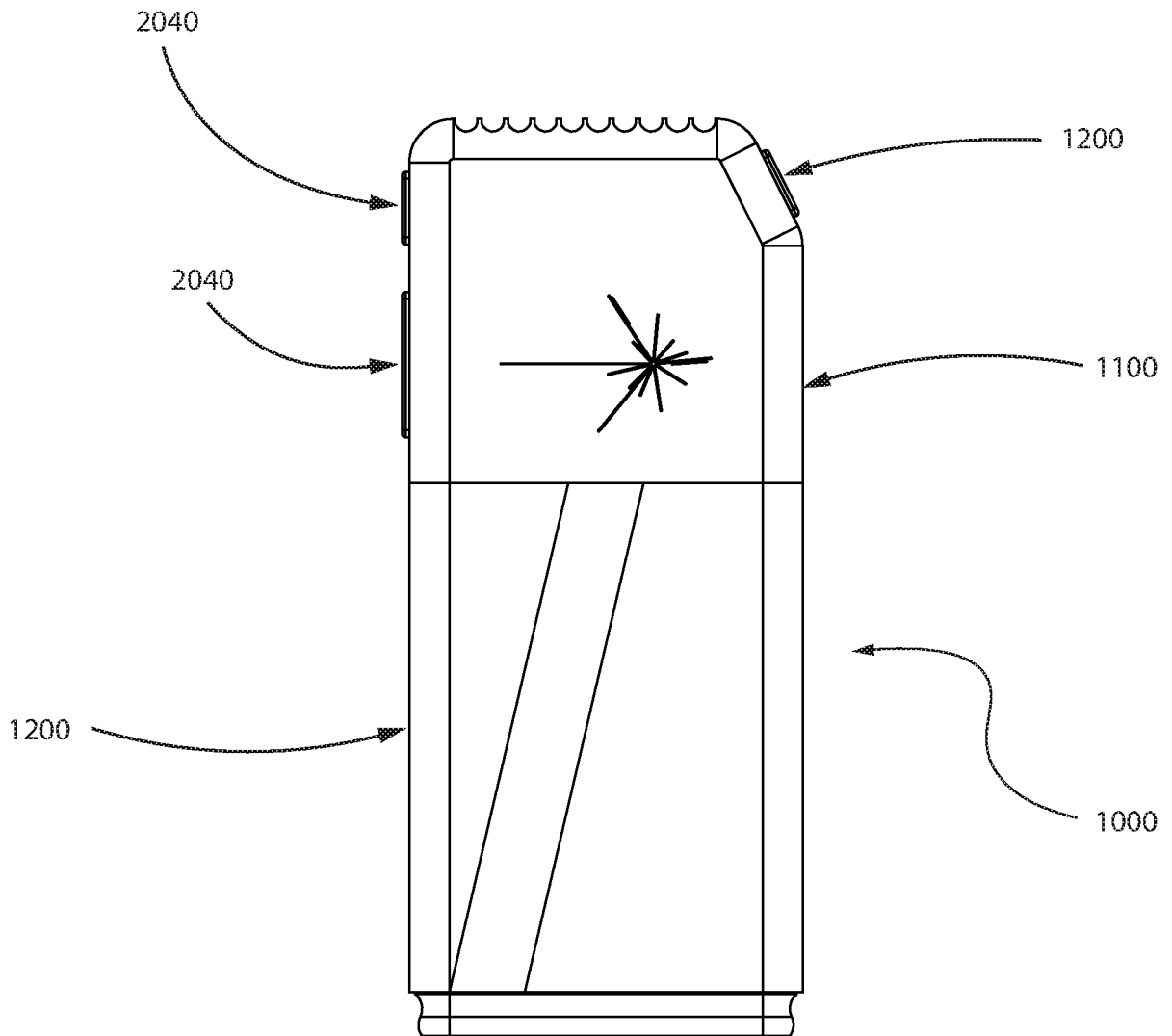


FIG. 1

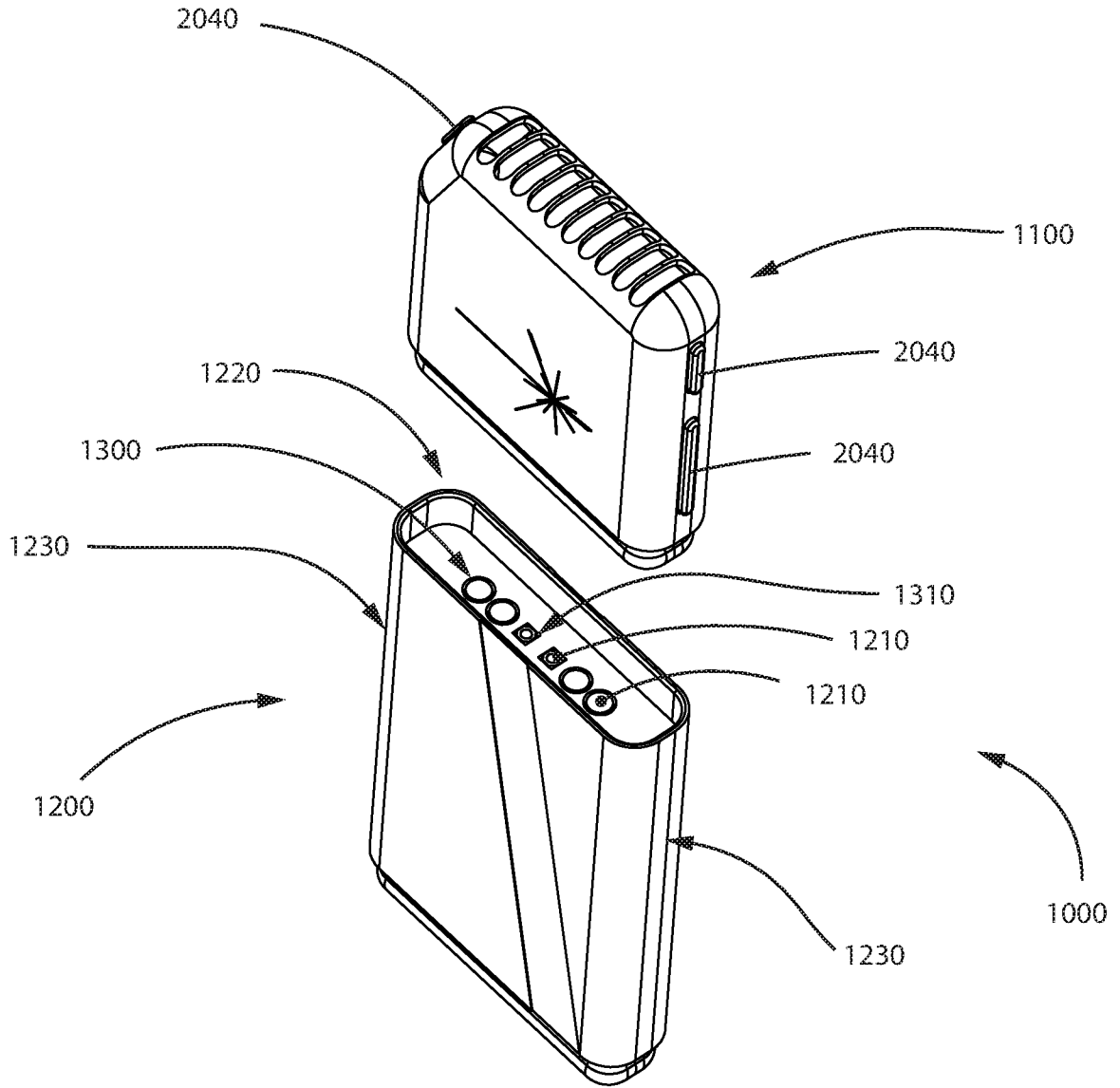


FIG. 2A

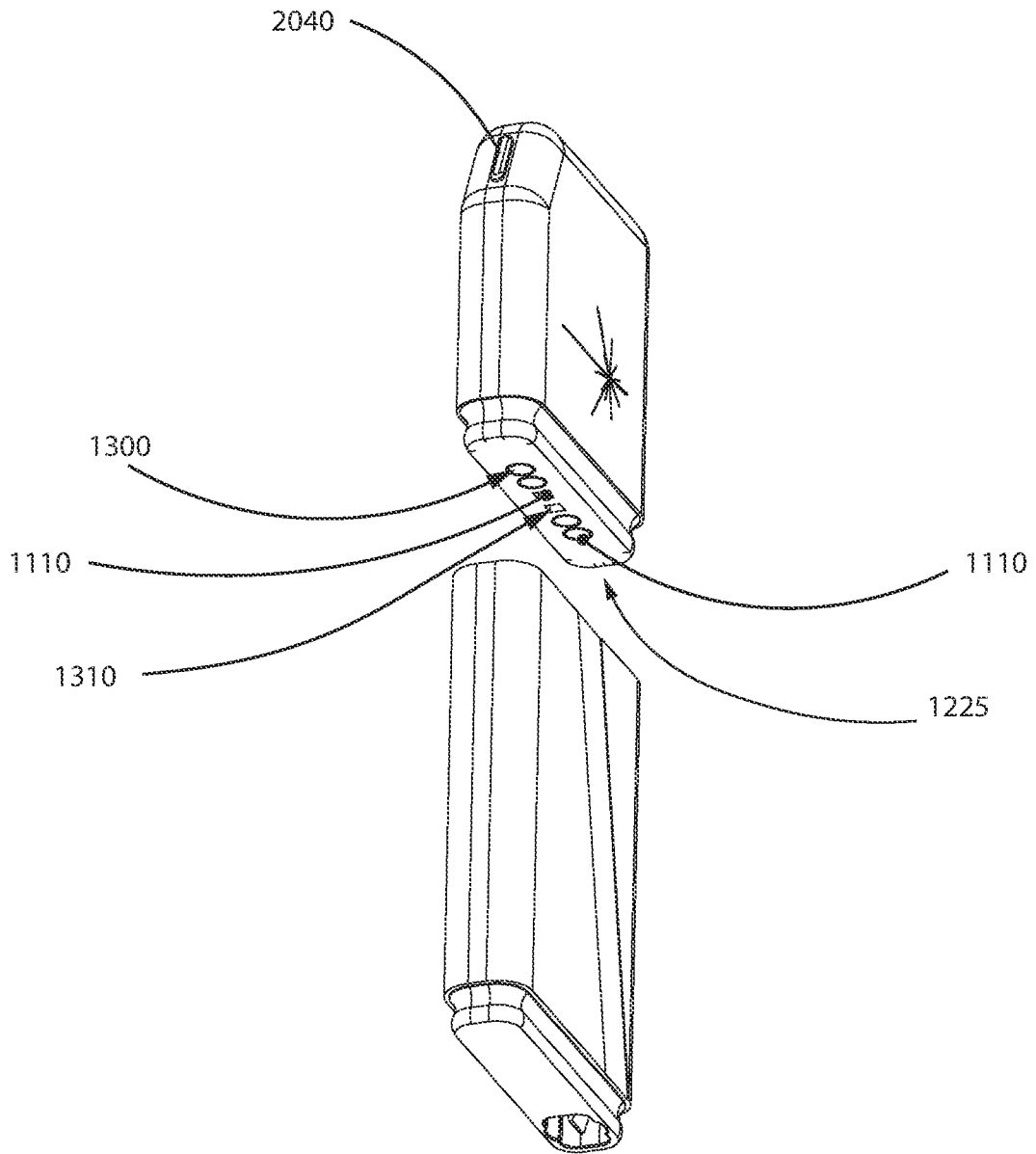


FIG. 2B

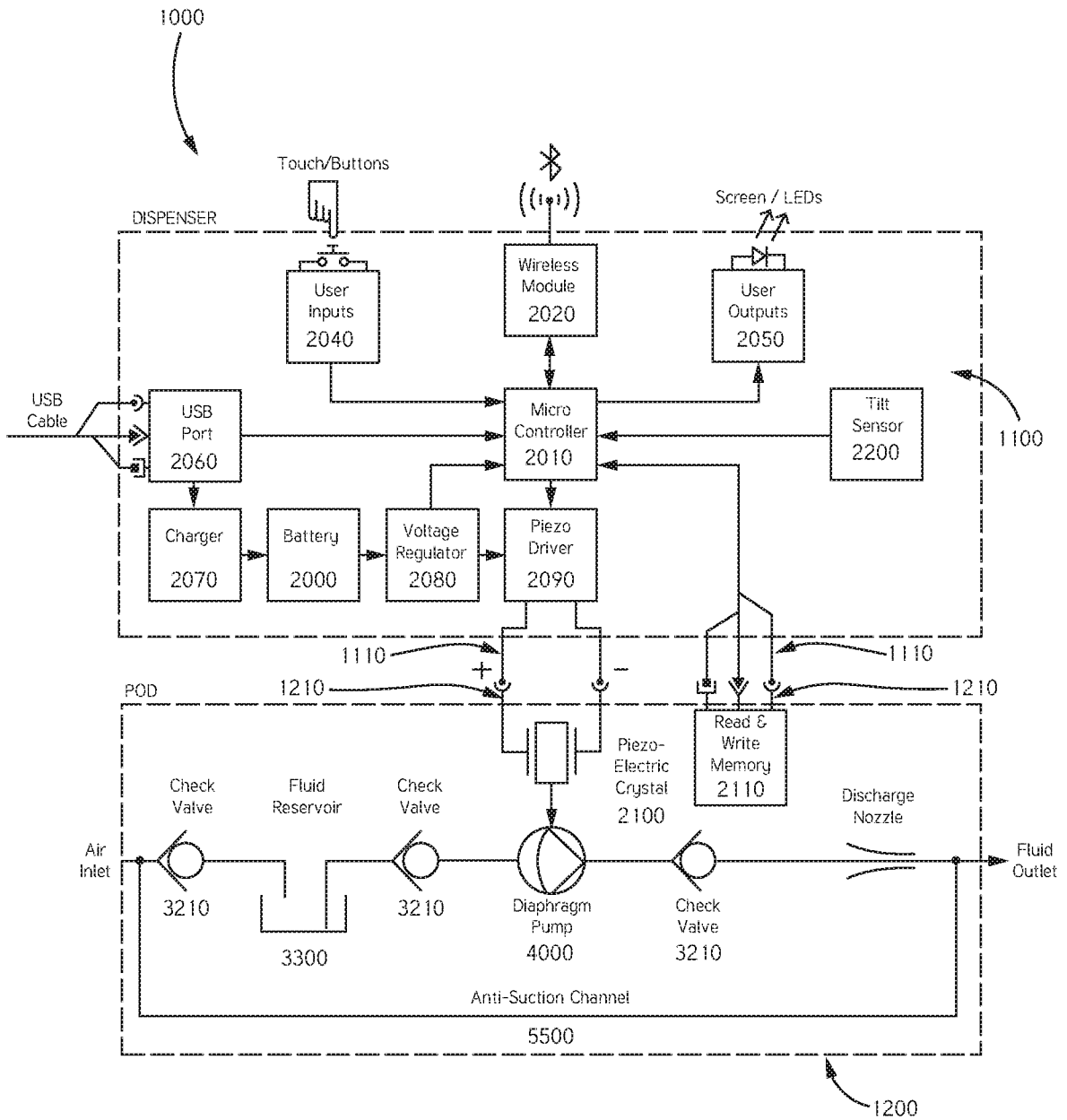


FIG. 3

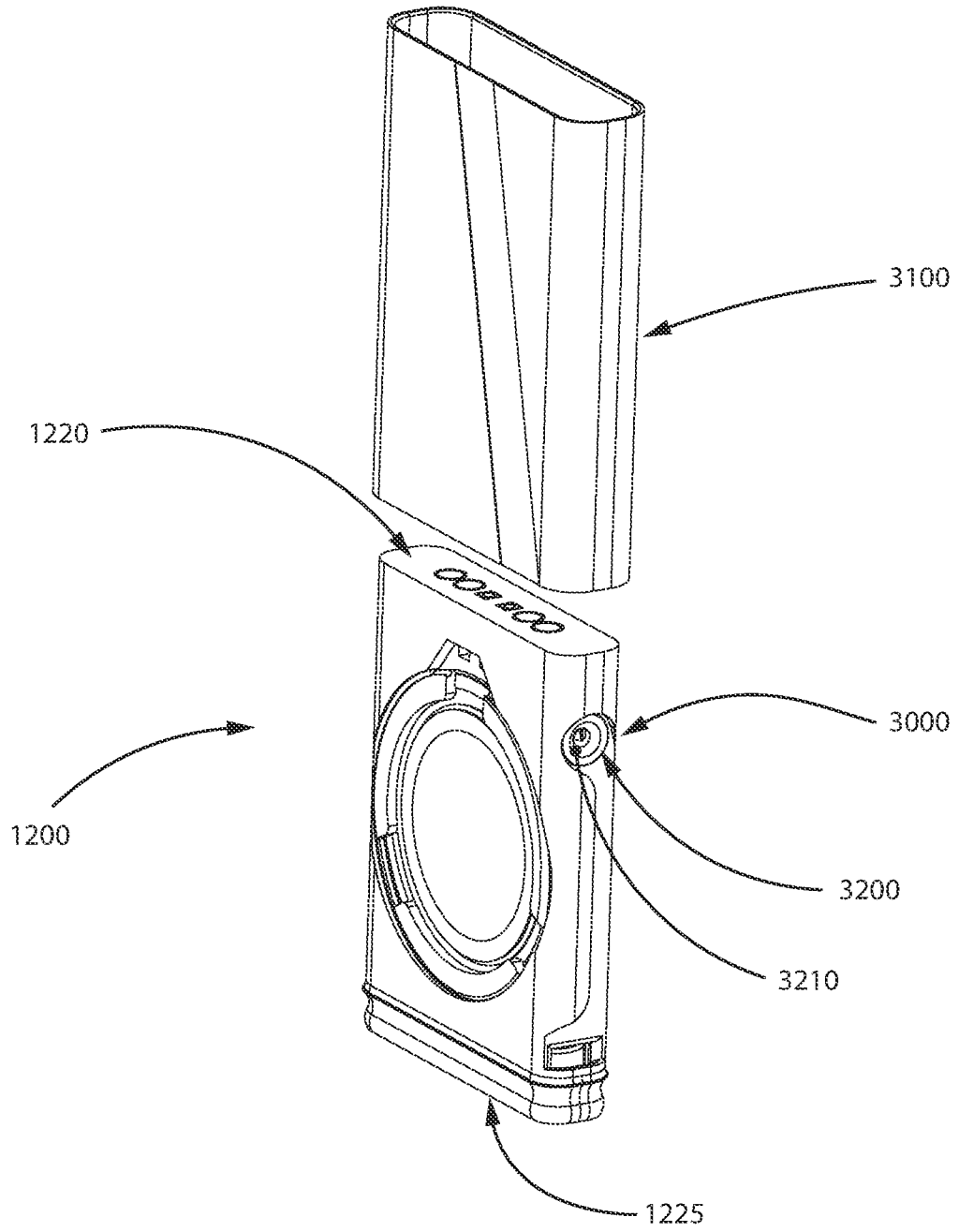
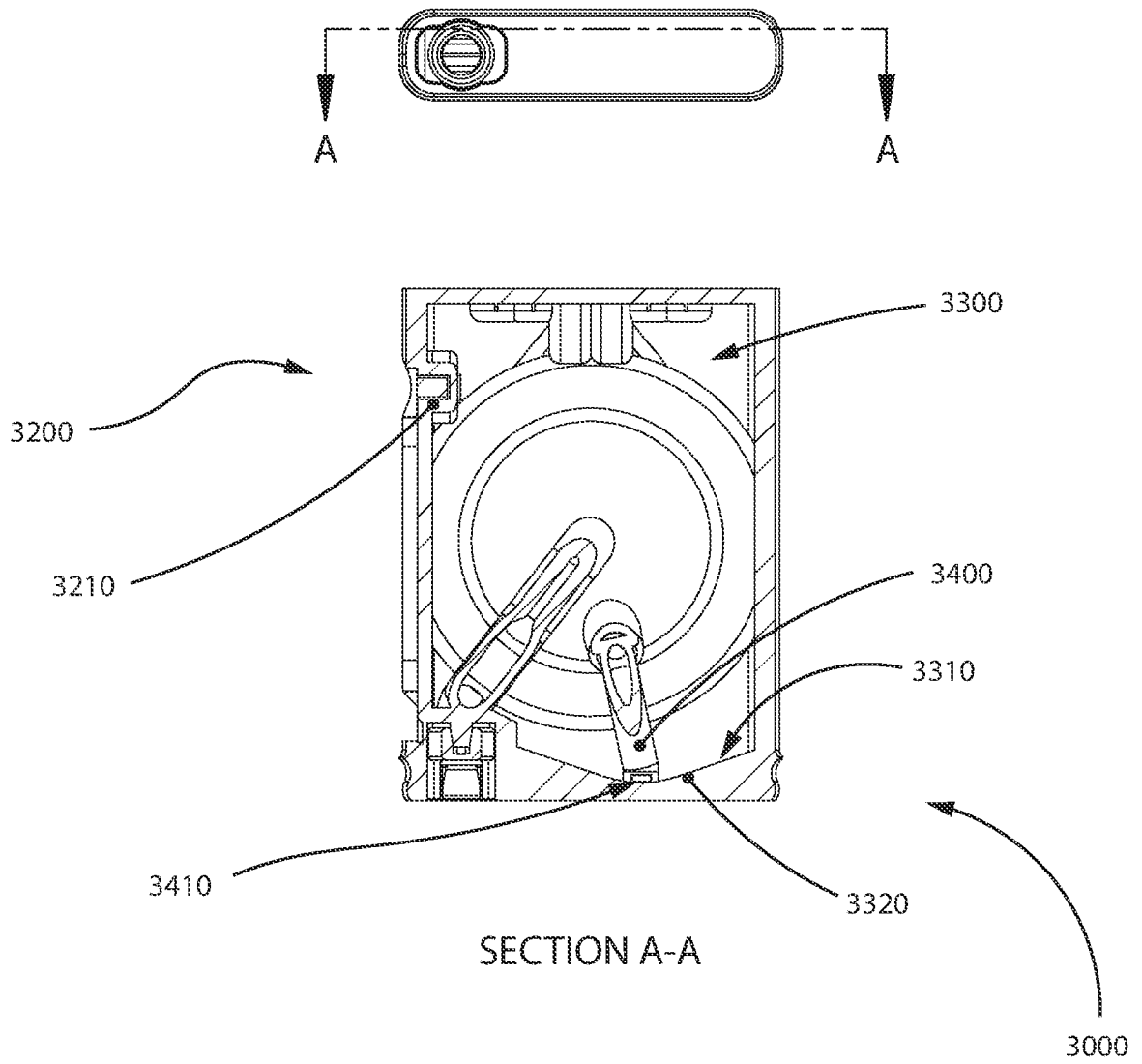


FIG. 4A



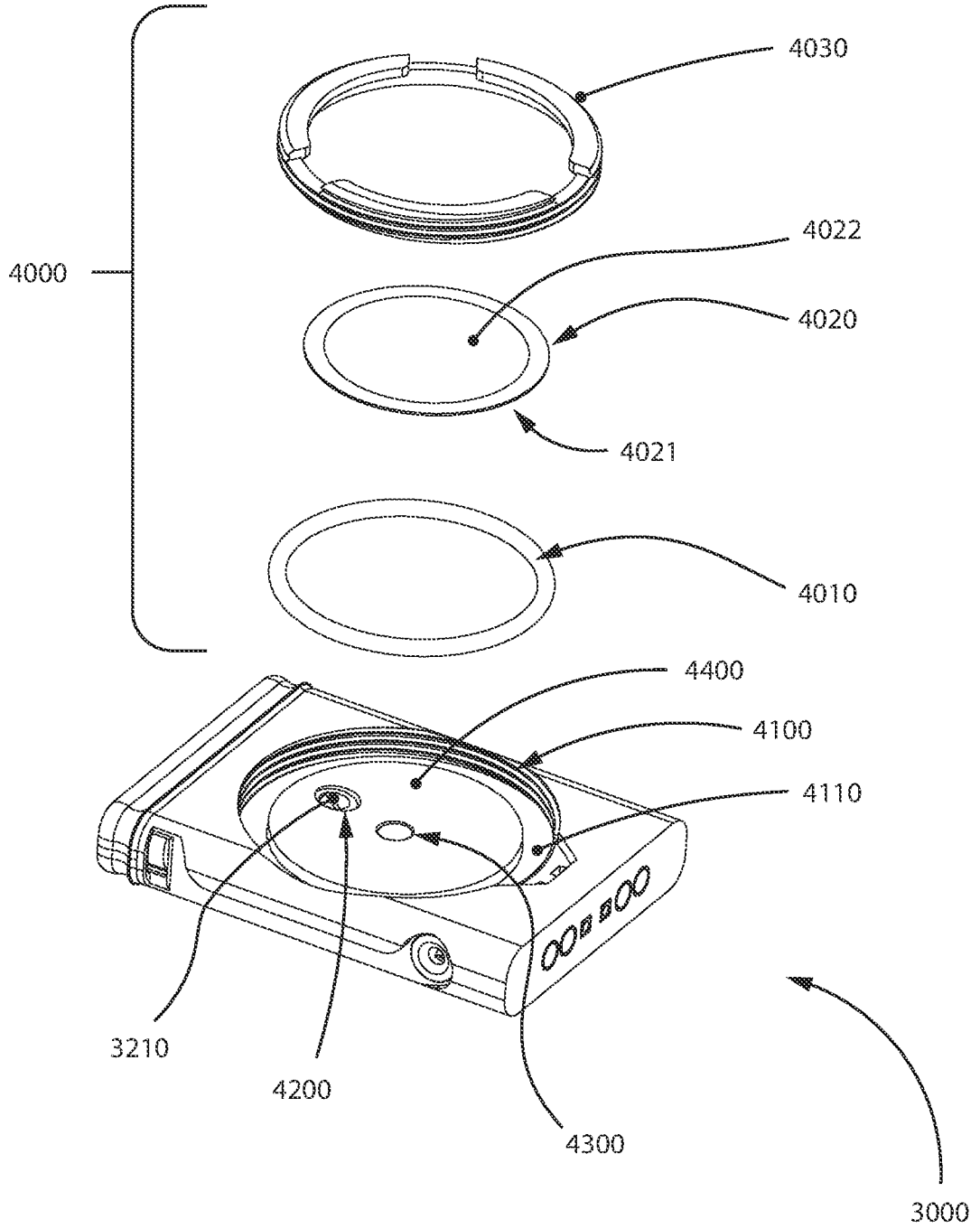
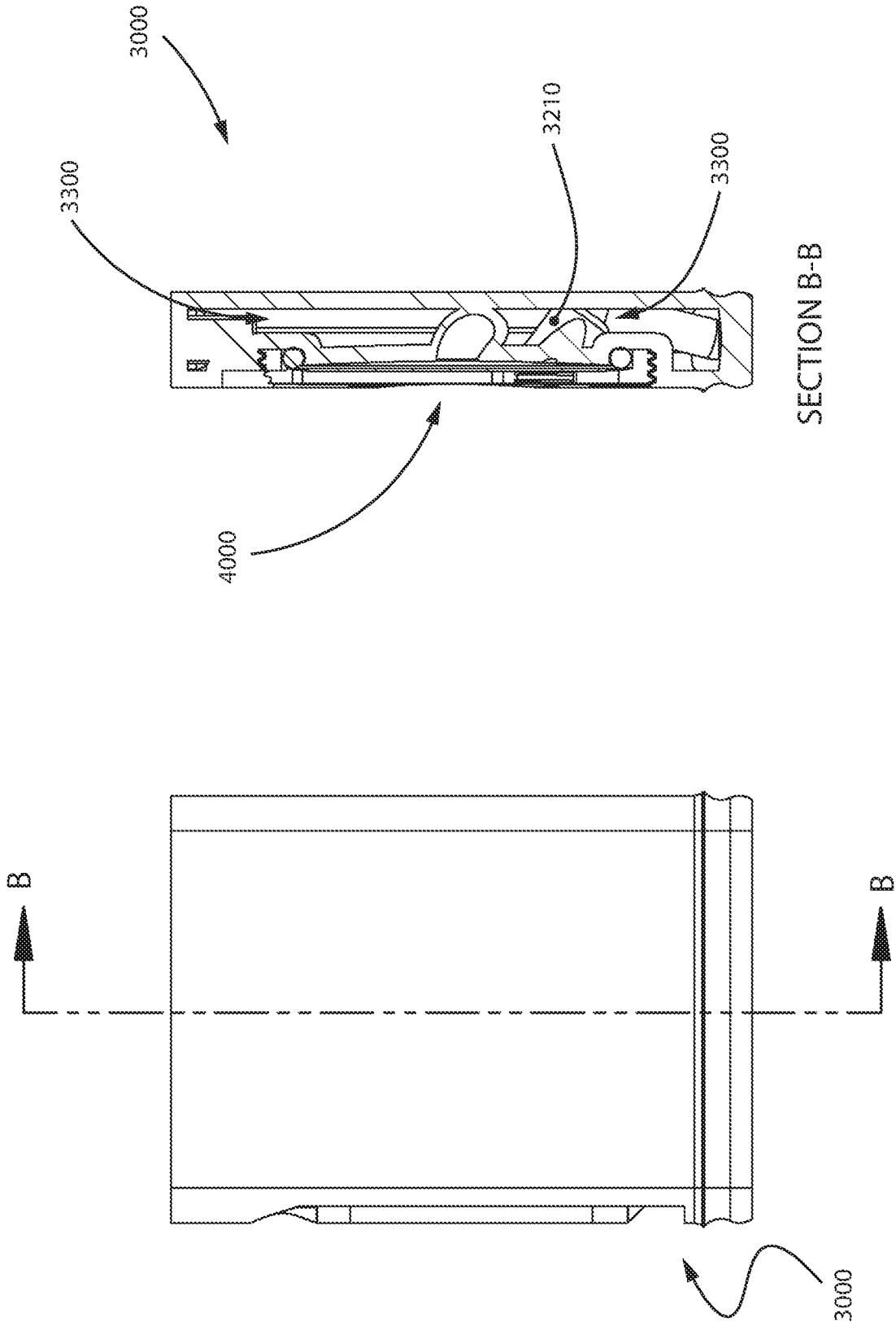


FIG. 5A



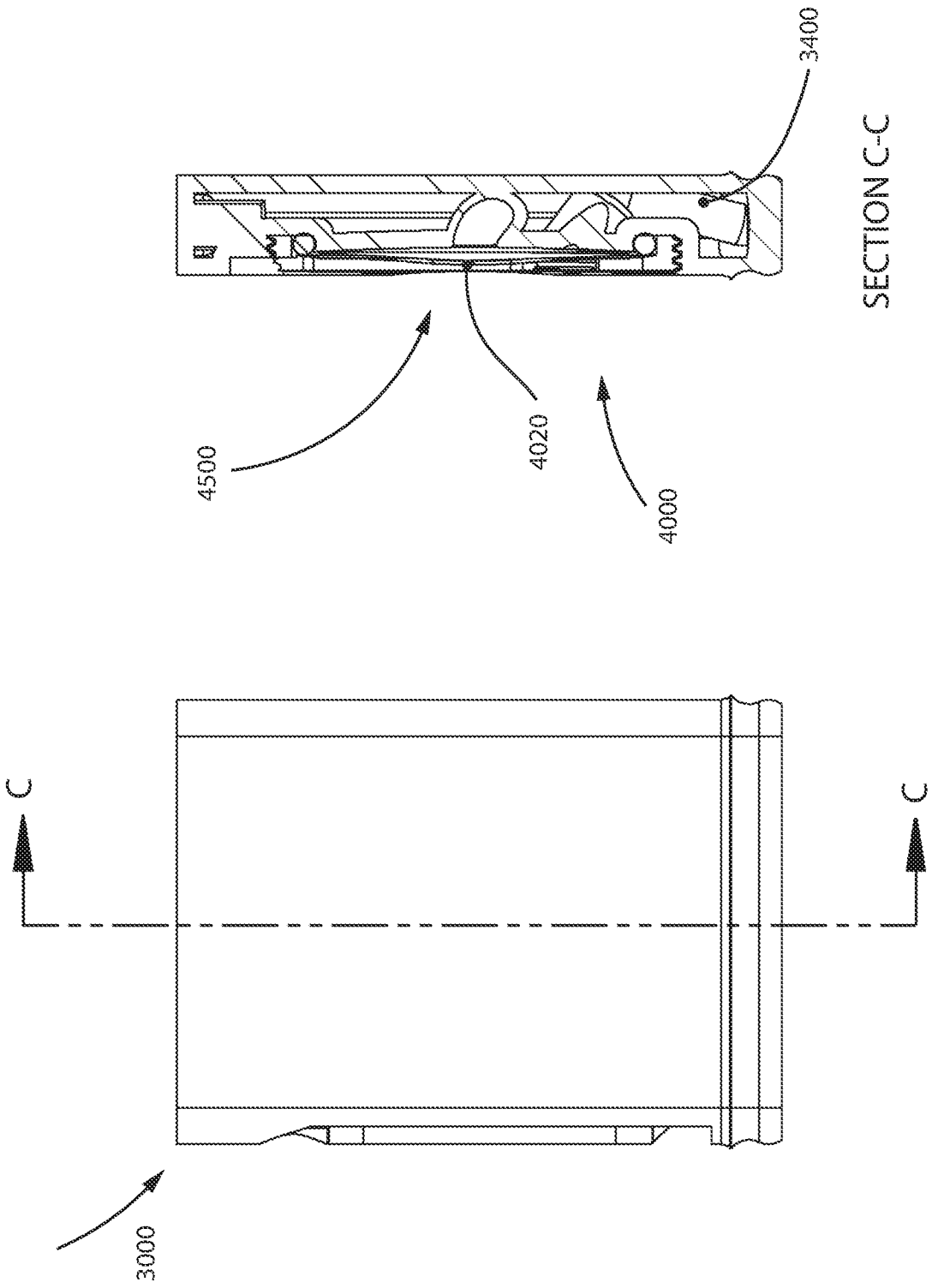


FIG. 6A

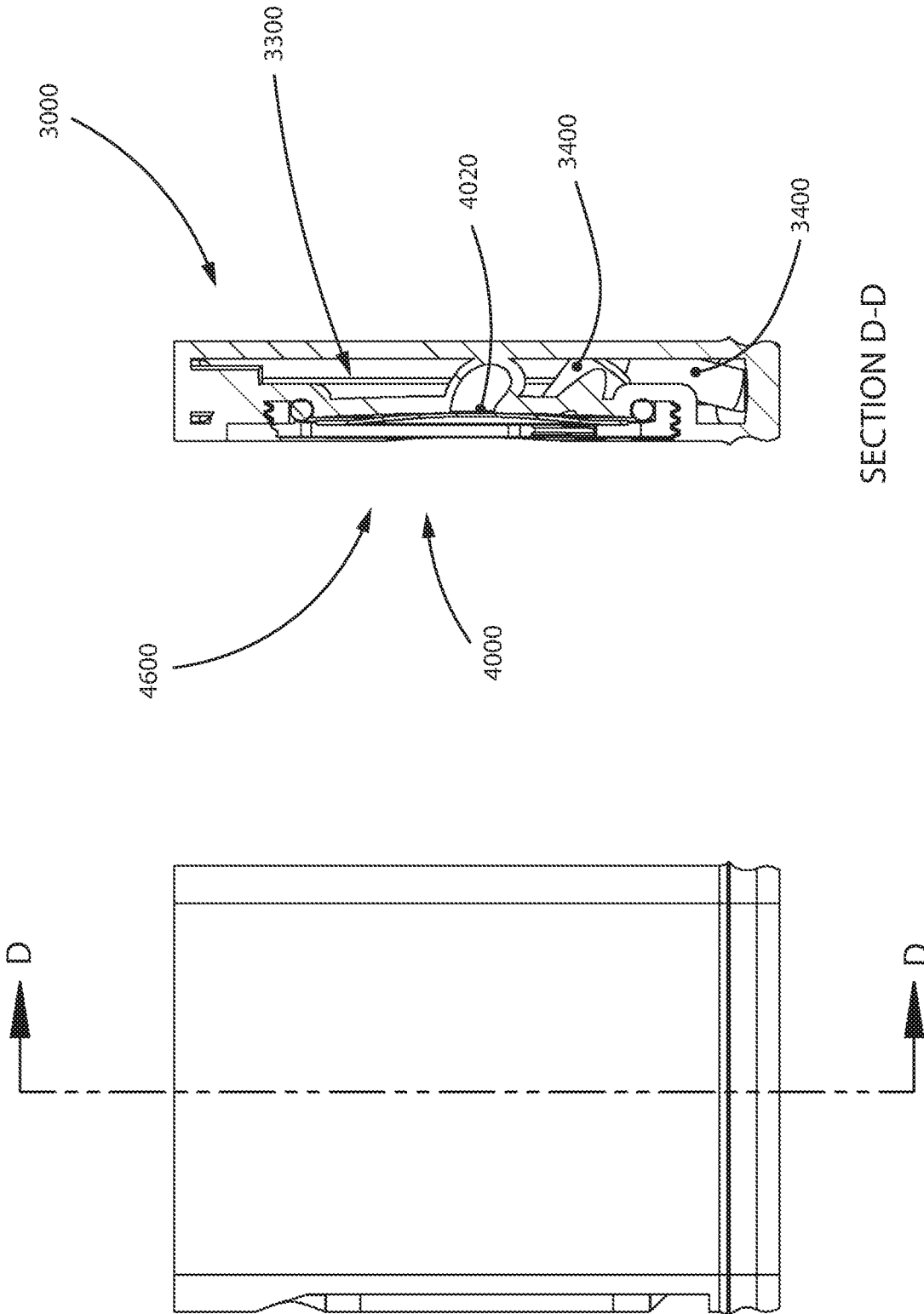
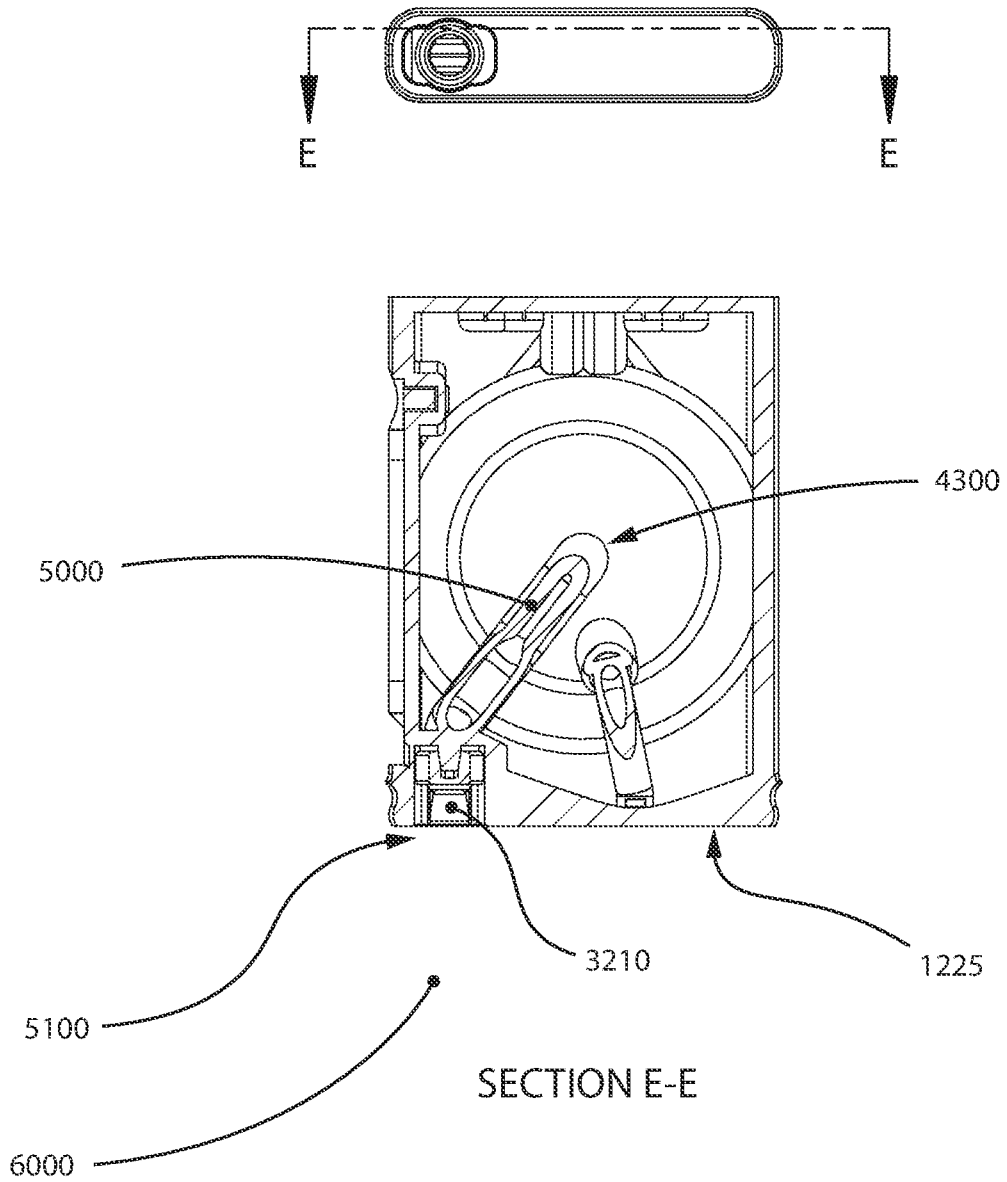


FIG. 6B



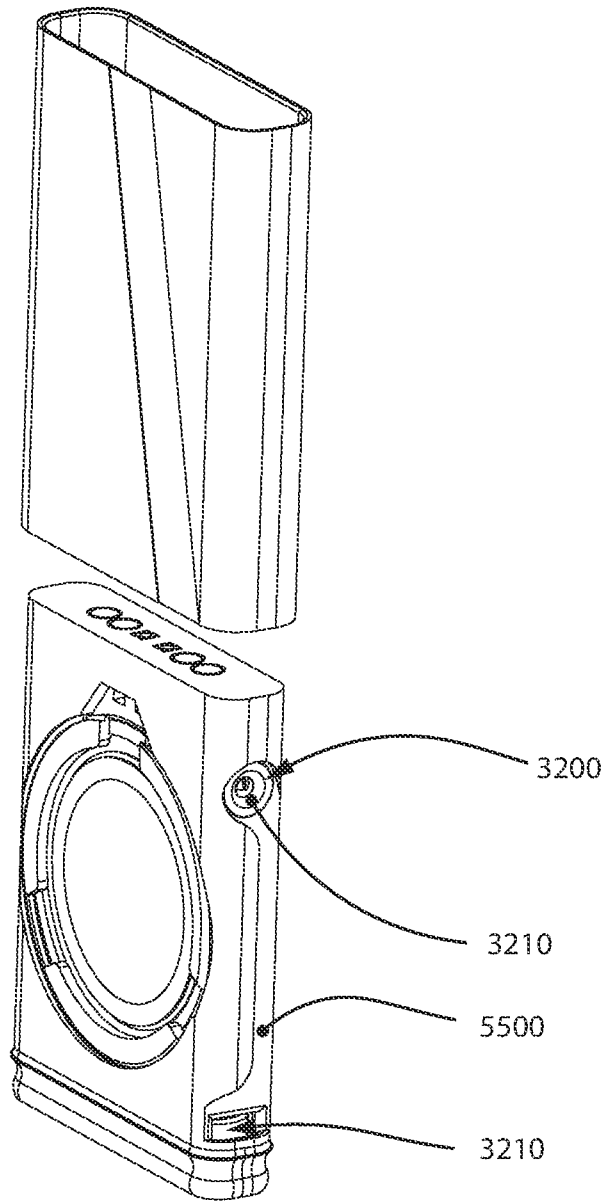


FIG. 8

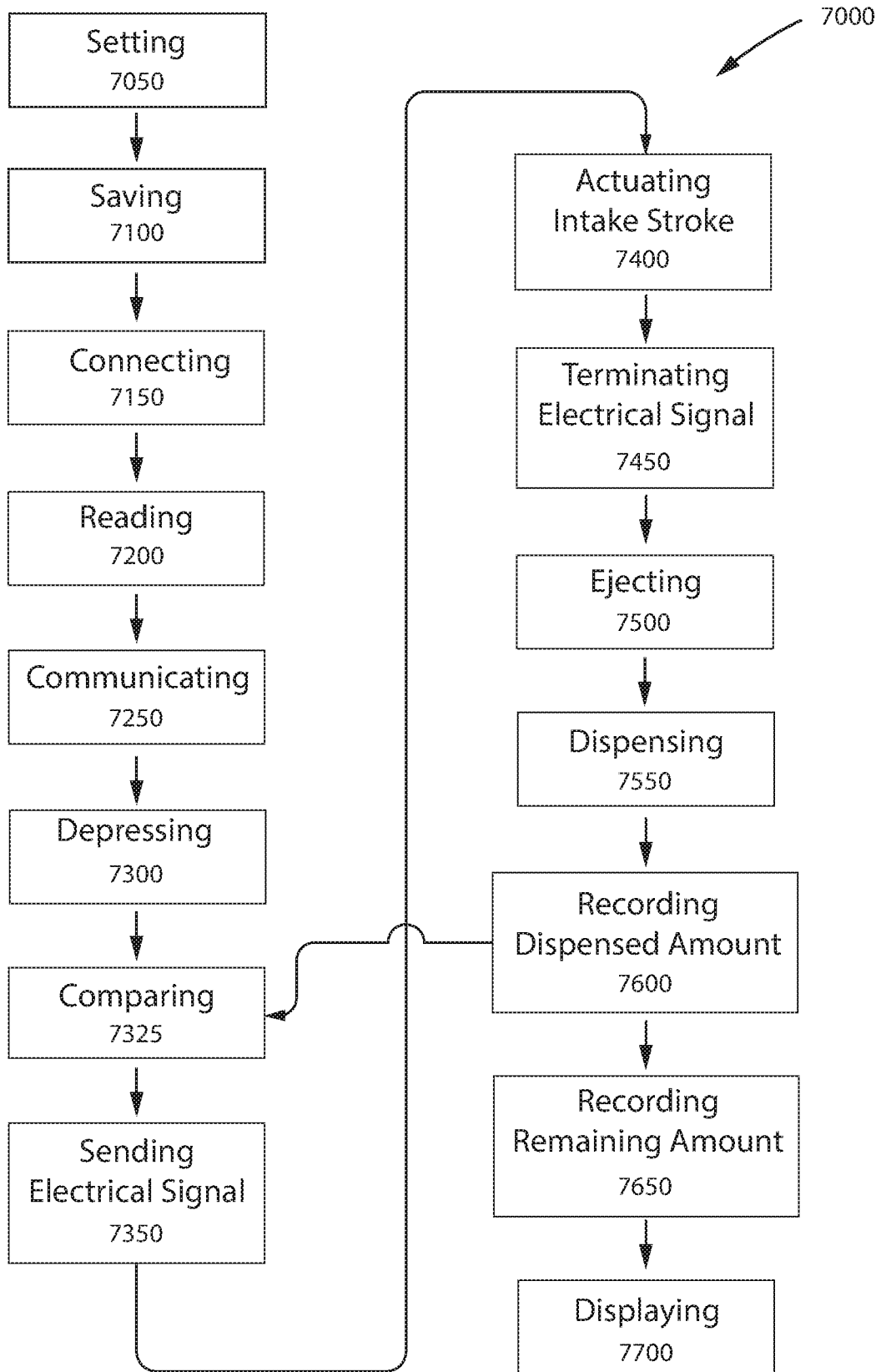


FIG. 9

INTERNATIONAL SEARCH REPORT

International application No.
PCT/IB2020/000650A. CLASSIFICATION OF SUBJECT MATTER
IPC: **B65D 83/00** (2006.01)

According to International Patent Classification (IPC) or to both national classification and IPC

B. FIELDS SEARCHED

Minimum documentation searched (classification system followed by classification symbols)
IPC, CPC - B65D-083/00

Documentation searched other than minimum documentation to the extent that such documents are included in the fields searched

Electronic database(s) consulted during the international search (name of database(s) and, where practicable, search terms used)

Questel - dispense, liquid, fluid, pump, dose, meter, valve, orient, tilt, medicinal, pharmaceutical, power, electrical
Google/Google Patent - Voyager, oil, dispenser, valve, pump

C. DOCUMENTS CONSIDERED TO BE RELEVANT

Category*	Citation of document, with indication, where appropriate, of the relevant passages	Relevant to claim No.
X Y A	WO 2007/092618 A2 (KAMEN, D. et al.) 16 August 2007 (16-08-2007) *entire document*	1, 17, 21-26 18, 19 2-16, 20
Y	CA 3 059 311 A1 (KAMEN, D. et al.) 16 July 2009 (16-07-2009) *paragraph [0305], figures 33-37*	18, 19
A	US 2017/0245552 A1 (REEVELL, T.) 31 August 2017 (31-08-2017) *entire document*	1-20

 Further documents are listed in the continuation of Box C. See patent family annex.

* "A" "D" "E" "L" "O" "P"	Special categories of cited documents: document defining the general state of the art which is not considered to be of particular relevance document cited by the applicant in the international application earlier application or patent but published on or after the international filing date document which may throw doubts on priority claim(s) or which is cited to establish the publication date of another citation or other special reason (as specified) document referring to an oral disclosure, use, exhibition or other means document published prior to the international filing date but later than the priority date claimed	"I" "X" "Y" "&"	later document published after the international filing date or priority date and not in conflict with the application but cited to understand the principle or theory underlying the invention document of particular relevance; the claimed invention cannot be considered novel or cannot be considered to involve an inventive step when the document is taken alone document of particular relevance; the claimed invention cannot be considered to involve an inventive step when the document is combined with one or more other such documents, such combination being obvious to a person skilled in the art document member of the same patent family
---	---	--------------------------	--

Date of the actual completion of the international search
04 January-2021 (04-01-2021)Date of mailing of the international search report
15 January 2021 (15-01-2021)Name and mailing address of the ISA/CA
Canadian Intellectual Property Office
Place du Portage I, C114 - 1st Floor, Box PCT
50 Victoria Street
Gatineau, Quebec K1A 0C9
Facsimile No.: 819-953-2476Authorized officer

Timothy Scheuermann (819) 665-5264

INTERNATIONAL SEARCH REPORT

International application No.

PCT/IB2020/000650**Box No. II Observations where certain claims were found unsearchable (Continuation of item 2 of the first sheet)**

This international search report has not been established in respect of certain claims under Article 17(2)(a) for the following reasons:

1. Claim Nos.:
because they relate to subject matter not required to be searched by this Authority, namely:
2. Claim Nos.:
because they relate to parts of the international application that do not comply with the prescribed requirements to such an extent that no meaningful international search can be carried out, specifically:
3. Claim Nos.:
because they are dependent claims and are not drafted in accordance with the second and third sentences of Rule 6.4(a).

Box No. III Observations where unity of invention is lacking (Continuation of item 3 of first sheet)

This International Searching Authority found multiple inventions in this international application, as follows:

D1: WO 2007/092618 A2 Kamen, D. et al. 16 August 2007 (16-08-2007)

The claims are directed to a plurality of inventive concepts as follows:

Group A - Claims 1-20 are directed to a device for the dispensing of a fluid comprising: a pod comprising a body, the body comprising a reservoir therein, the reservoir configured to contain a fluid; the body further comprising a pump, the pump comprising an inlet port interconnected with the reservoir; the pump further comprises an outlet port interconnected with an outlet duct, the outlet duct having fluid communication with an external aspect of the body; a dispenser; and the dispenser further comprising a power source to actuate the pump, wherein the pump dispenses the fluid from the reservoir, through the outlet duct to the external aspect of the body; and

Group B - Claims 21-26 are directed to a method for dispensing a fluid comprising: connecting a pod to a dispenser; depressing a button disposed on the dispenser; sending an electrical signal from the pod to actuate an intake stroke; actuating the intake stroke of a diaphragm pump resulting in drawing the fluid from a reservoir, and into the diaphragm pump; terminating the electrical signal resulting in actuating an ejection stroke of the diaphragm pump; ejecting the fluid from the diaphragm pump through an outlet; and dispensing the fluid from the pod.

Wherein groups A and B are linked by a pod connected to a dispenser wherein the pod includes a pump for dispensing fluid from a reservoir.

Wherein this subject matter is known at least from D1 for example, including a pod (20) connected to a dispenser (5010) the pod including a pump (16) for dispensing fluid from a reservoir (figures 1, 64d), so this matter cannot be considered to involve the inventive subject matter of the claims.

The claims must be limited to one inventive concept as set out in PCT Rule 13.

1. As all required additional search fees were timely paid by the applicant, this international search report covers all searchable claims.
2. As all searchable claims could be searched without effort justifying additional fees, this Authority did not invite payment of additional fees.
3. As only some of the required additional search fees were timely paid by the applicant, this international search report covers only those claims for which fees were paid, specifically claim Nos.:
4. No required additional search fees were timely paid by the applicant. Consequently, this international search report is restricted to the invention first mentioned in the claims; it is covered by claim Nos.:0

Remark on Protest

- The additional search fees were accompanied by the applicant's protest and, where applicable, the payment of a protest fee.
- The additional search fees were accompanied by the applicant's protest but the applicable protest fee was not paid within the time limit specified in the invitation.
- No protest accompanied the payment of additional search fees.

INTERNATIONAL SEARCH REPORT
Information on patent family members

International application No.

PCT/IB2020/000650

Patent Document Cited in Search Report	Publication Date	Patent Family Member(s)	Publication Date
WO2007092618A2	16 August 2007 (16-08-2007)	WO2007092618A3	06 December 2007 (06-12-2007)
		AT504325T	15 April 2011 (15-04-2011)
		AT512682T	15 July 2011 (15-07-2011)
		AT524207T	15 September 2011 (15-09-2011)
		AU2007212192A1	16 August 2007 (16-08-2007)
		AU2007212192A2	25 September 2008 (25-09-2008)
		AU2007212192B2	17 January 2013 (17-01-2013)
		AU2007212269A1	16 August 2007 (16-08-2007)
		AU2007212269A2	25 September 2008 (25-09-2008)
		AU2007212269B2	28 March 2013 (28-03-2013)
		AU2007212275A1	16 August 2007 (16-08-2007)
		AU2007212275A2	20 November 2008 (20-11-2008)
		AU2007212275B2	21 March 2013 (21-03-2013)
		AU2007215305A1	23 August 2007 (23-08-2007)
		AU2007215305A2	09 October 2008 (09-10-2008)
		AU2007215305B2	12 September 2013 (12-09-2013)
		AU2008347241A1	16 July 2009 (16-07-2009)
		AU2008347241B2	18 September 2014 (18-09-2014)
		BRPI0707576A2	10 May 2011 (10-05-2011)
		BRPI0821466A2	16 June 2015 (16-06-2015)
		BRPI0821466B1	11 August 2020 (11-08-2020)
		CA2641569A1	16 August 2007 (16-08-2007)
		CA2641569C	06 October 2015 (06-10-2015)
		CA2641574A1	16 August 2007 (16-08-2007)
		CA2641574C	05 May 2015 (05-05-2015)
		CA2641583A1	16 August 2007 (16-08-2007)
		CA2641583C	14 June 2016 (14-06-2016)
		CA2641643A1	23 August 2007 (23-08-2007)
		CA2641643C	14 October 2014 (14-10-2014)
		CA2677667A1	14 August 2008 (14-08-2008)
		CA2711244A1	16 July 2009 (16-07-2009)
		CA2711244C	16 February 2016 (16-02-2016)
		CA2738389A1	18 March 2010 (18-03-2010)
		CA2738389C	17 January 2017 (17-01-2017)
		CA2750335A1	08 July 2010 (08-07-2010)
		CA2750335C	27 June 2017 (27-06-2017)
		CA2750634A1	08 July 2010 (08-07-2010)
		CA2750634C	08 August 2017 (08-08-2017)
		CA2768011A1	20 January 2011 (20-01-2011)
		CA2768011C	24 July 2018 (24-07-2018)
		CA2786044A1	07 July 2011 (07-07-2011)
		CA2786044C	19 March 2019 (19-03-2019)
		CA2786258A1	07 July 2011 (07-07-2011)
		CA2786258C	23 October 2018 (23-10-2018)
		CA2787178A1	28 July 2011 (28-07-2011)
		CA2787178C	12 February 2019 (12-02-2019)
		CA2866624A1	12 September 2013 (12-09-2013)
		CA2914975A1	08 January 2015 (08-01-2015)
		CA2914977A1	08 January 2015 (08-01-2015)
		CA2919786A1	16 July 2009 (16-07-2009)
		CA2919786C	22 October 2019 (22-10-2019)
		CA2926975A1	16 August 2007 (16-08-2007)
		CA2926975C	29 October 2019 (29-10-2019)
		CA2954728A1	18 March 2010 (18-03-2010)
		CA2954728C	26 March 2019 (26-03-2019)
		CA2956895A1	07 January 2016 (07-01-2016)
		CA3017128A1	07 July 2011 (07-07-2011)

INTERNATIONAL SEARCH REPORT

International application No.

PCT/IB2020/000650

Patent Document Cited in Search Report	Publication Date	Patent Family Member(s)	Publication Date
		CA3033439A1	28 July 2011 (28-07-2011)
		CA3035023A1	07 July 2011 (07-07-2011)
		CA3037726A1	18 March 2010 (18-03-2010)
		CA3059311A1	16 July 2009 (16-07-2009)
		CA3059992A1	16 August 2007 (16-08-2007)
		CA3064061A1	01 November 2018 (01-11-2018)
		CA3098372A1	31 October 2019 (31-10-2019)
		CN101394878A	25 March 2009 (25-03-2009)
		CN101394879A	25 March 2009 (25-03-2009)
		CN101394879B	22 February 2012 (22-02-2012)
		CN101400391A	01 April 2009 (01-04-2009)
		CN101400391B	12 February 2014 (12-02-2014)
		CN101405043A	08 April 2009 (08-04-2009)
		CN101405043B	04 January 2012 (04-01-2012)
		CN101959547A	26 January 2011 (26-01-2011)
		CN101959547B	26 November 2014 (26-11-2014)
		CN102512725A	27 June 2012 (27-06-2012)
		CN102512725B	28 October 2015 (28-10-2015)
		CN103736165A	23 April 2014 (23-04-2014)
		CN103736165B	10 May 2017 (10-05-2017)
		CN104162200A	26 November 2014 (26-11-2014)
		CN104162200B	27 March 2018 (27-03-2018)
		CN104162201A	26 November 2014 (26-11-2014)
		CN104302350A	21 January 2015 (21-01-2015)
		CN104302350B	07 September 2018 (07-09-2018)
		CN104874047A	02 September 2015 (02-09-2015)
		CN104874047B	28 May 2019 (28-05-2019)
		CN105311705A	10 February 2016 (10-02-2016)
		CN105311705B	07 June 2019 (07-06-2019)
		CN106376233A	01 February 2017 (01-02-2017)
		CN106376233B	08 October 2019 (08-10-2019)
		CN107440681A	08 December 2017 (08-12-2017)
		CN108355194A	03 August 2018 (03-08-2018)
		CN109621078A	16 April 2019 (16-04-2019)
		CN110251769A	20 September 2019 (20-09-2019)
		CN110251773A	20 September 2019 (20-09-2019)
		DE602007013723D1	19 May 2011 (19-05-2011)
		EP1993633A2	26 November 2008 (26-11-2008)
		EP1993633B1	09 November 2016 (09-11-2016)
		EP1993634A2	26 November 2008 (26-11-2008)
		EP1993634B1	06 April 2011 (06-04-2011)
		EP1993635A2	26 November 2008 (26-11-2008)
		EP1993635B1	14 September 2011 (14-09-2011)
		EP1993636A2	26 November 2008 (26-11-2008)
		EP1993636B1	15 June 2011 (15-06-2011)
		EP1993636B2	01 March 2017 (01-03-2017)
		EP2121077A1	25 November 2009 (25-11-2009)
		EP2244765A2	03 November 2010 (03-11-2010)
		EP2244765B1	14 August 2019 (14-08-2019)
		EP2311511A2	20 April 2011 (20-04-2011)
		EP2311511A3	05 October 2011 (05-10-2011)
		EP2311511B1	29 May 2013 (29-05-2013)
		EP2316504A2	04 May 2011 (04-05-2011)
		EP2316504A3	04 April 2012 (04-04-2012)
		EP2316504B1	25 September 2019 (25-09-2019)
		EP2324872A2	25 May 2011 (25-05-2011)
		EP2324872A3	05 October 2011 (05-10-2011)

INTERNATIONAL SEARCH REPORT

International application No.

PCT/IB2020/000650

Patent Document Cited in Search Report	Publication Date	Patent Family Member(s)	Publication Date
		EP2324872B1	31 July 2013 (31-07-2013)
		EP2335754A2	22 June 2011 (22-06-2011)
		EP2335754A3	05 October 2011 (05-10-2011)
		EP2335754B1	18 December 2013 (18-12-2013)
		EP2338547A2	29 June 2011 (29-06-2011)
		EP2338547A3	07 December 2011 (07-12-2011)
		EP2338547B1	17 April 2013 (17-04-2013)
		EP2338548A2	29 June 2011 (29-06-2011)
		EP2338548A3	24 August 2011 (24-08-2011)
		EP2338548B1	29 May 2013 (29-05-2013)
		EP2343094A2	13 July 2011 (13-07-2011)
		EP2343094A3	24 August 2011 (24-08-2011)
		EP2343094B1	29 May 2013 (29-05-2013)
		EP2361105A2	31 August 2011 (31-08-2011)
		EP2381978A1	02 November 2011 (02-11-2011)
		EP2381978B1	12 July 2017 (12-07-2017)
		EP2382688A2	02 November 2011 (02-11-2011)
		EP2382688B1	20 February 2019 (20-02-2019)
		EP2453948A2	23 May 2012 (23-05-2012)
		EP2453948B1	18 February 2015 (18-02-2015)
		EP2519287A1	07 November 2012 (07-11-2012)
		EP2519287B1	20 December 2017 (20-12-2017)
		EP2519288A2	07 November 2012 (07-11-2012)
		EP2519288B1	13 April 2016 (13-04-2016)
		EP2525848A1	28 November 2012 (28-11-2012)
		EP2525848B1	03 August 2016 (03-08-2016)
		EP2532376A2	12 December 2012 (12-12-2012)
		EP2532376A3	09 March 2016 (09-03-2016)
		EP2532376B1	18 September 2019 (18-09-2019)
		EP2532377A2	12 December 2012 (12-12-2012)
		EP2532377A3	16 September 2015 (16-09-2015)
		EP2532377B1	23 November 2016 (23-11-2016)
		EP2822640A2	14 January 2015 (14-01-2015)
		EP2822640B1	05 February 2020 (05-02-2020)
		EP3016629A1	11 May 2016 (11-05-2016)
		EP3016711A1	11 May 2016 (11-05-2016)
		EP3085402A1	26 October 2016 (26-10-2016)
		EP3085402B1	09 May 2018 (09-05-2018)
		EP3164171A1	10 May 2017 (10-05-2017)
		EP3165247A1	10 May 2017 (10-05-2017)
		EP3165247B1	28 October 2020 (28-10-2020)
		EP3615128A1	04 March 2020 (04-03-2020)
		EP3662967A1	10 June 2020 (10-06-2020)
		EP3679969A2	15 July 2020 (15-07-2020)
		EP3679969A3	30 September 2020 (30-09-2020)
		JP2009525831A	16 July 2009 (16-07-2009)
		JP4969588B2	04 July 2012 (04-07-2012)
		JP2009525825A	16 July 2009 (16-07-2009)
		JP5137854B2	06 February 2013 (06-02-2013)
		JP2009525822A	16 July 2009 (16-07-2009)
		JP5324923B2	23 October 2013 (23-10-2013)
		JP2009525828A	16 July 2009 (16-07-2009)

JP5448460B2	19 March 2014 (19-03-2014)
JP2011508637A	17 March 2011 (17-03-2011)
JP5634269B2	03 December 2014 (03-12-2014)
JP2013056190A	28 March 2013 (28-03-2013)
JP5770706B2	26 August 2015 (26-08-2015)

WO 2021/019304

PCT/IB2020/000650

INTERNATIONAL SEARCH REPORT
Information on patent family members

International application No.

PCT/IB2020/000650

Patent Document Cited in Search Report	Publication Date	Patent Family Member(s)	Publication Date
		JP2013516241A	13 May 2013 (13-05-2013)
		JP5807016B2	10 November 2015 (10-11-2015)
		JP2013516242A	13 May 2013 (13-05-2013)
		JP5820391B2	24 November 2015 (24-11-2015)
		JP2013518204A	20 May 2013 (20-05-2013)
		JP5844280B2	13 January 2016 (13-01-2016)
		JP2013056205A	28 March 2013 (28-03-2013)
		JP5876404B2	02 March 2016 (02-03-2016)
		JP2013099579A	23 May 2013 (23-05-2013)
		JP5890787B2	22 March 2016 (22-03-2016)
		JP2012533360A	27 December 2012 (27-12-2012)
		JP5961111B2	02 August 2016 (02-08-2016)
		JP2014121641A	03 July 2014 (03-07-2014)
		JP6054899B2	27 December 2016 (27-12-2016)
		JP2016019865A	04 February 2016 (04-02-2016)
		JP6189390B2	30 August 2017 (30-08-2017)
		JP2015512690A	30 April 2015 (30-04-2015)
		JP6254956B2	27 December 2017 (27-12-2017)
		JP2012502693A	02 February 2012 (02-02-2012)
		JP6288903B2	07 March 2018 (07-03-2018)
		JP2015180318A	15 October 2015 (15-10-2015)
		JP6301287B2	28 March 2018 (28-03-2018)
		JP2015198955A	12 November 2015 (12-11-2015)
		JP6367155B2	01 August 2018 (01-08-2018)
		JP2016526454A	05 September 2016 (05-09-2016)
		JP6434009B2	05 December 2018 (05-12-2018)
		JP2014168695A	18 September 2014 (18-09-2014)
		JP6484404B2	13 March 2019 (13-03-2019)
		JP2010137061A	24 June 2010 (24-06-2010)
		JP2010155090A	15 July 2010 (15-07-2010)
		JP2010155091A	15 July 2010 (15-07-2010)
		JP2010179108A	19 August 2010 (19-08-2010)
		JP2010517700A	27 May 2010 (27-05-2010)
		JP2014000432A	09 January 2014 (09-01-2014)
		JP2014140766A	07 August 2014 (07-08-2014)
		JP2014166574A	11 September 2014 (11-09-2014)
		JP2015083215A	30 April 2015 (30-04-2015)
		JP2015123374A	06 July 2015 (06-07-2015)
		JP2015180319A	15 October 2015 (15-10-2015)
		JP2015198972A	12 November 2015 (12-11-2015)
		JP2017029766A	09 February 2017 (09-02-2017)
		JP2017029768A	09 February 2017 (09-02-2017)
		JP2017077494A	27 April 2017 (27-04-2017)
		JP2017136435A	10 August 2017 (10-08-2017)
		JP2017148542A	31 August 2017 (31-08-2017)
		JP2017164553A	21 September 2017 (21-09-2017)
		JP2017221755A	21 December 2017 (21-12-2017)
		JP2018122141A	09 August 2018 (09-08-2018)
		JP2018122142A	09 August 2018 (09-08-2018)
		JP2018167128A	01 November 2018 (01-11-2018)
		JP2018171505A	08 November 2018 (08-11-2018)
		JP2019013794A	31 January 2019 (31-01-2019)
		JP2019030735A	28 February 2019 (28-02-2019)
		JP2019107516A	04 July 2019 (04-07-2019)
		JP2019115750A	18 July 2019 (18-07-2019)
		JP2019166406A	03 October 2019 (03-10-2019)
		JP2020022789A	13 February 2020 (13-02-2020)

INTERNATIONAL SEARCH REPORT

Information on patent family members

International application No.

PCT/IB2020/000650

Patent Document Cited in Search Report	Publication Date	Patent Family Member(s)	Publication Date
		JP2020096888A	25 June 2020 (25-06-2020)
		JP2020096889A	25 June 2020 (25-06-2020)
		JP2020121174A	13 August 2020 (13-08-2020)
		JP2020142153A	10 September 2020 (10-09-2020)
		JP2020179217A	05 November 2020 (05-11-2020)
		JP2020192388A	03 December 2020 (03-12-2020)
		JP2021000526A	07 January 2021 (07-01-2021)
		JP2021000527A	07 January 2021 (07-01-2021)
		MX338464B	15 April 2016 (15-04-2016)
		MX343139B	25 October 2016 (25-10-2016)
		MX2008010336A	18 November 2008 (18-11-2008)
		MX343851B	24 November 2016 (24-11-2016)
		MX361885B	18 December 2018 (18-12-2018)
		MX2008010340A	18 November 2008 (18-11-2008)
		MX2008010341A	18 November 2008 (18-11-2008)
		MX2008010342A	18 November 2008 (18-11-2008)
		MX2010007324A	30 September 2010 (30-09-2010)
		MX2015017385A	19 August 2016 (19-08-2016)
		RU2008136190A	20 March 2010 (20-03-2010)
		RU2447905C2	20 April 2012 (20-04-2012)
		RU2010132226A	10 February 2012 (10-02-2012)
		RU2510758C2	10 April 2014 (10-04-2014)
		US2007072317A1	29 March 2007 (29-03-2007)
		US7756687B2	13 July 2010 (13-07-2010)
		US2007219597A1	20 September 2007 (20-09-2007)
		US8113244B2	14 February 2012 (14-02-2012)
		US2012209189A1	16 August 2012 (16-08-2012)
		US8303574B2	06 November 2012 (06-11-2012)
		US2007228071A1	04 October 2007 (04-10-2007)
		US8414522B2	09 April 2013 (09-04-2013)
		US2009299289A1	03 December 2009 (03-12-2009)
		US8414563B2	09 April 2013 (09-04-2013)
		US2012209191A1	16 August 2012 (16-08-2012)
		US8435214B2	07 May 2013 (07-05-2013)
		US2012209209A1	16 August 2012 (16-08-2012)
		US8486018B2	16 July 2013 (16-07-2013)
		US2009299277A1	03 December 2009 (03-12-2009)
		US8491570B2	23 July 2013 (23-07-2013)
		US2009275896A1	05 November 2009 (05-11-2009)
		US8496646B2	30 July 2013 (30-07-2013)
		US2012209207A1	16 August 2012 (16-08-2012)
		US8518000B2	27 August 2013 (27-08-2013)
		US2007219480A1	20 September 2007 (20-09-2007)
		US8545445B2	01 October 2013 (01-10-2013)
		US2012209184A1	16 August 2012 (16-08-2012)
		US8551052B2	08 October 2013 (08-10-2013)
		US2012203177A1	09 August 2012 (09-08-2012)
		US8579884B2	12 November 2013 (12-11-2013)
		US2007219496A1	20 September 2007 (20-09-2007)
		US8585377B2	19 November 2013 (19-11-2013)
		US2011190694A1	04 August 2011 (04-08-2011)
		US8613724B2	24 December 2013 (24-12-2013)
		US2012209239A1	16 August 2012 (16-08-2012)
		US8617107B2	31 December 2013 (31-12-2013)
		US2012209217A1	16 August 2012 (16-08-2012)
		US8679073B2	25 March 2014 (25-03-2014)
		US2012209219A1	16 August 2012 (16-08-2012)

INTERNATIONAL SEARCH REPORT
Information on patent family members

International application No.

PCT/IB2020/000650

Patent Document Cited in Search Report	Publication Date	Patent Family Member(s)	Publication Date
		US8702656B2	22 April 2014 (22-04-2014)
		US2010185142A1	22 July 2010 (22-07-2010)
		US8784364B2	22 July 2014 (22-07-2014)
		US2011300001A1	08 December 2011 (08-12-2011)
		US8852164B2	07 October 2014 (07-10-2014)
		US2011186177A1	04 August 2011 (04-08-2011)
		US8881774B2	11 November 2014 (11-11-2014)
		US2010191186A1	29 July 2010 (29-07-2010)
		US8900188B2	02 December 2014 (02-12-2014)
		US2012150115A1	14 June 2012 (14-06-2012)
		US8998850B2	07 April 2015 (07-04-2015)
		US2014025001A1	23 January 2014 (23-01-2014)
		US9017286B2	28 April 2015 (28-04-2015)
		US2012209187A1	16 August 2012 (16-08-2012)
		US9033921B2	19 May 2015 (19-05-2015)
		US2014039395A1	06 February 2014 (06-02-2014)
		US9033922B2	19 May 2015 (19-05-2015)
		US2012109062A1	03 May 2012 (03-05-2012)
		US9119913B2	01 September 2015 (01-09-2015)
		US2014046260A1	13 February 2014 (13-02-2014)
		US9162027B2	20 October 2015 (20-10-2015)
		US2013231608A1	05 September 2013 (05-09-2013)
		US9248233B2	02 February 2016 (02-02-2016)
		US2013300565A1	14 November 2013 (14-11-2013)
		US9259531B2	16 February 2016 (16-02-2016)
		US2012209240A1	16 August 2012 (16-08-2012)
		US9265879B2	23 February 2016 (23-02-2016)
		US2012209244A1	16 August 2012 (16-08-2012)
		US9278174B2	08 March 2016 (08-03-2016)
		US2012209199A1	16 August 2012 (16-08-2012)
		US9295779B2	29 March 2016 (29-03-2016)
		US2012209180A1	16 August 2012 (16-08-2012)
		US9295780B2	29 March 2016 (29-03-2016)
		US2012209190A1	16 August 2012 (16-08-2012)
		US9339603B2	17 May 2016 (17-05-2016)
		US2014048174A1	20 February 2014 (20-02-2014)
		US9456955B2	04 October 2016 (04-10-2016)
		US2011144574A1	16 June 2011 (16-06-2011)
		US9492606B2	15 November 2016 (15-11-2016)
		US2012209188A1	16 August 2012 (16-08-2012)
		US9492612B2	15 November 2016 (15-11-2016)
		US2013303991A1	14 November 2013 (14-11-2013)
		US9492613B2	15 November 2016 (15-11-2016)
		US2014221929A1	07 August 2014 (07-08-2014)
		US9492614B2	15 November 2016 (15-11-2016)
		US2012209198A1	16 August 2012 (16-08-2012)
		US9498587B2	22 November 2016 (22-11-2016)
		US2009281497A1	12 November 2009 (12-11-2009)
		US9526830B2	27 December 2016 (27-12-2016)
		US2015151857A1	04 June 2015 (04-06-2015)
		US9617020B2	11 April 2017 (11-04-2017)
		US2012209179A1	16 August 2012 (16-08-2012)
		US9623198B2	18 April 2017 (18-04-2017)
		US2014142498A1	22 May 2014 (22-05-2014)
		US9649433B2	16 May 2017 (16-05-2017)
		US2015231329A1	20 August 2015 (20-08-2015)
		US9687602B2	27 June 2017 (27-06-2017)

INTERNATIONAL SEARCH REPORT

Information on patent family members

International application No.

PCT/IB2020/000650

Patent Document Cited in Search Report	Publication Date	Patent Family Member(s)	Publication Date
		US2014114282A1	24 April 2014 (24-04-2014)
		US9724461B2	08 August 2017 (08-08-2017)
		US2010198183A1	05 August 2010 (05-08-2010)
		US9839743B2	12 December 2017 (12-12-2017)
		US2017056585A1	02 March 2017 (02-03-2017)
		US9861769B2	09 January 2018 (09-01-2018)
		US2015045767A1	12 February 2015 (12-02-2015)
		US9867930B2	16 January 2018 (16-01-2018)
		US2014194816A1	10 July 2014 (10-07-2014)
		US9895499B2	20 February 2018 (20-02-2018)
		US2017056578A1	02 March 2017 (02-03-2017)
		US9901689B2	27 February 2018 (27-02-2018)
		US2016206808A1	21 July 2016 (21-07-2016)
		US9907903B2	06 March 2018 (06-03-2018)
		US2015165114A1	18 June 2015 (18-06-2015)
		US9907943B2	06 March 2018 (06-03-2018)
		US2013281974A1	24 October 2013 (24-10-2013)
		US9931461B2	03 April 2018 (03-04-2018)
		US2012204996A1	16 August 2012 (16-08-2012)
		US9931479B2	03 April 2018 (03-04-2018)
		US2015273141A1	01 October 2015 (01-10-2015)
		US9943652B2	17 April 2018 (17-04-2018)
		US2016184514A1	30 June 2016 (30-06-2016)
		US9943653B2	17 April 2018 (17-04-2018)
		US2014350459A1	27 November 2014 (27-11-2014)
		US9993600B2	12 June 2018 (12-06-2018)
		US2010185175A1	22 July 2010 (22-07-2010)
		US10010669B2	03 July 2018 (03-07-2018)
		US2012209178A1	16 August 2012 (16-08-2012)
		US10071210B2	11 September 2018 (11-09-2018)
		US2015157537A1	11 June 2015 (11-06-2015)
		US10080704B2	25 September 2018 (25-09-2018)
		US2016166764A1	16 June 2016 (16-06-2016)
		US10099018B2	16 October 2018 (16-10-2018)
		US2015283031A1	08 October 2015 (08-10-2015)
		US10105286B2	23 October 2018 (23-10-2018)
		US2016008537A1	14 January 2016 (14-01-2016)
		US10137241B2	27 November 2018 (27-11-2018)
		US2016206809A1	21 July 2016 (21-07-2016)
		US10166329B2	01 January 2019 (01-01-2019)
		US2010198182A1	05 August 2010 (05-08-2010)
		US10188787B2	29 January 2019 (29-01-2019)
		US2016158463A1	09 June 2016 (09-06-2016)
		US10226587B2	12 March 2019 (12-03-2019)
		US2016022903A1	28 January 2016 (28-01-2016)
		US10232131B2	19 March 2019 (19-03-2019)
		US2016256627A1	08 September 2016 (08-09-2016)
		US10245389B2	02 April 2019 (02-04-2019)
		US2017056584A1	02 March 2017 (02-03-2017)
		US10245390B2	02 April 2019 (02-04-2019)
		US2016038671A1	11 February 2016 (11-02-2016)
		US10272195B2	30 April 2019 (30-04-2019)
		US2012209193A1	16 August 2012 (16-08-2012)
		US10293117B2	21 May 2019 (21-05-2019)
		US2015224255A1	13 August 2015 (13-08-2015)
		US10328215B2	25 June 2019 (25-06-2019)
		US2015246177A1	03 September 2015 (03-09-2015)

INTERNATIONAL SEARCH REPORT
Information on patent family members

International application No.

PCT/IB2020/000650

Patent Document Cited in Search Report	Publication Date	Patent Family Member(s)	Publication Date
		US10335557B2	02 July 2019 (02-07-2019)
		US2016025544A1	28 January 2016 (28-01-2016)
		US10369299B2	06 August 2019 (06-08-2019)
		US2016144114A1	26 May 2016 (26-05-2016)
		US10383999B2	20 August 2019 (20-08-2019)
		US2017281860A1	05 October 2017 (05-10-2017)
		US10485922B2	26 November 2019 (26-11-2019)
		US2012209186A1	16 August 2012 (16-08-2012)
		US10639418B2	05 May 2020 (05-05-2020)
		US2017216520A1	03 August 2017 (03-08-2017)
		US10653833B2	19 May 2020 (19-05-2020)
		US2019262553A1	29 August 2019 (29-08-2019)
		US10668210B2	02 June 2020 (02-06-2020)
		US2018185592A1	05 July 2018 (05-07-2018)
		US10682463B2	16 June 2020 (16-06-2020)
		US2012209195A1	16 August 2012 (16-08-2012)
		US10709838B2	14 July 2020 (14-07-2020)
		US2018169353A1	21 June 2018 (21-06-2018)
		US10716893B2	21 July 2020 (21-07-2020)
		US2018193553A1	12 July 2018 (12-07-2018)
		US10722643B2	28 July 2020 (28-07-2020)
		US2019046739A1	14 February 2019 (14-02-2019)
		US10722647B2	28 July 2020 (28-07-2020)
		US2018133394A1	17 May 2018 (17-05-2018)
		US10751467B2	25 August 2020 (25-08-2020)
		US2017210496A1	27 July 2017 (27-07-2017)
		US10773836B2	15 September 2020 (15-09-2020)
		US2017354778A1	14 December 2017 (14-12-2017)
		US10780220B2	22 September 2020 (22-09-2020)
		US2019262555A1	29 August 2019 (29-08-2019)
		US10786624B2	29 September 2020 (29-09-2020)
		US2018228985A1	16 August 2018 (16-08-2018)
		US2019134317A9	09 May 2019 (09-05-2019)
		US10835669B2	17 November 2020 (17-11-2020)
		US2015250941A1	10 September 2015 (10-09-2015)
		US10850029B2	01 December 2020 (01-12-2020)
		US2008195045A1	14 August 2008 (14-08-2008)
		US2011306931A1	15 December 2011 (15-12-2011)
		US2012209181A1	16 August 2012 (16-08-2012)
		US2012209182A1	16 August 2012 (16-08-2012)
		US2012209183A1	16 August 2012 (16-08-2012)
		US2012209185A1	16 August 2012 (16-08-2012)
		US2012209204A1	16 August 2012 (16-08-2012)
		US2013249687A1	26 September 2013 (26-09-2013)
		US2014031743A1	30 January 2014 (30-01-2014)
		US2014054883A1	27 February 2014 (27-02-2014)
		US2014074029A1	13 March 2014 (13-03-2014)
		US2014107579A1	17 April 2014 (17-04-2014)
		US2014207067A1	24 July 2014 (24-07-2014)
		US2015051571A1	19 February 2015 (19-02-2015)
		US2015174320A1	25 June 2015 (25-06-2015)
		US2015303563A1	22 October 2015 (22-10-2015)
		US2017065765A1	09 March 2017 (09-03-2017)
		US2017136178A1	18 May 2017 (18-05-2017)
		US2017239417A1	24 August 2017 (24-08-2017)
		US2017246383A1	31 August 2017 (31-08-2017)
		US2017290976A1	12 October 2017 (12-10-2017)

INTERNATIONAL SEARCH REPORT

Information on patent family members

International application No.

PCT/IB2020/000650

Patent Document Cited in Search Report	Publication Date	Patent Family Member(s)	Publication Date
		US2018126097A1	10 May 2018 (10-05-2018)
		US2018193629A1	12 July 2018 (12-07-2018)
		US2018221595A1	09 August 2018 (09-08-2018)
		US2018237174A1	23 August 2018 (23-08-2018)
		US2018289900A1	11 October 2018 (11-10-2018)
		US2019021954A1	24 January 2019 (24-01-2019)
		US2019022337A1	24 January 2019 (24-01-2019)
		US2019046405A1	14 February 2019 (14-02-2019)
		US2019046720A1	14 February 2019 (14-02-2019)
		US2019083698A1	21 March 2019 (21-03-2019)
		US2019099560A1	04 April 2019 (04-04-2019)
		US2019125960A1	02 May 2019 (02-05-2019)
		US2019134297A1	09 May 2019 (09-05-2019)
		US2019175822A1	13 June 2019 (13-06-2019)
		US2019201638A1	04 July 2019 (04-07-2019)
		US2019224410A1	25 July 2019 (25-07-2019)
		US2019224411A1	25 July 2019 (25-07-2019)
		US2019248518A1	15 August 2019 (15-08-2019)
		US2019262552A1	29 August 2019 (29-08-2019)
		US2019262554A1	29 August 2019 (29-08-2019)
		US2019269862A1	05 September 2019 (05-09-2019)
		US2019298914A1	03 October 2019 (03-10-2019)
		US2019307970A1	10 October 2019 (10-10-2019)
		US2019321260A1	24 October 2019 (24-10-2019)
		US2019336681A1	07 November 2019 (07-11-2019)
		US2019365992A1	05 December 2019 (05-12-2019)
		US2019388609A1	26 December 2019 (26-12-2019)
		US2020086042A1	19 March 2020 (19-03-2020)
		US2020261645A1	20 August 2020 (20-08-2020)
		US2020276386A1	03 September 2020 (03-09-2020)
		US2020303748A1	24 September 2020 (24-09-2020)
		US2020306446A1	01 October 2020 (01-10-2020)
		US2020338262A1	29 October 2020 (29-10-2020)
		US2020345931A1	05 November 2020 (05-11-2020)
		US2020353158A1	12 November 2020 (12-11-2020)
		WO2007092624A2	16 August 2007 (16-08-2007)
		WO2007092624A3	27 December 2007 (27-12-2007)
		WO2007092637A2	16 August 2007 (16-08-2007)
		WO2007092637A3	13 December 2007 (13-12-2007)
		WO2007095093A2	23 August 2007 (23-08-2007)
		WO2007095093A3	17 January 2008 (17-01-2008)
		WO2008098246A1	14 August 2008 (14-08-2008)
		WO2009088956A2	16 July 2009 (16-07-2009)
		WO2009088956A3	03 September 2009 (03-09-2009)
		WO2009088956A8	12 August 2010 (12-08-2010)
		WO2010031059A2	18 March 2010 (18-03-2010)
		WO2010031059A3	12 August 2010 (12-08-2010)
		WO2010078207A1	08 July 2010 (08-07-2010)
		WO2010078434A2	08 July 2010 (08-07-2010)
		WO2010078434A3	24 February 2011 (24-02-2011)
		WO2011008966A2	20 January 2011 (20-01-2011)
		WO2011008966A3	11 August 2011 (11-08-2011)
		WO2011082265A1	07 July 2011 (07-07-2011)
		WO2011082272A2	07 July 2011 (07-07-2011)
		WO2011082272A3	06 October 2011 (06-10-2011)
		WO2011091265A1	28 July 2011 (28-07-2011)
		WO2013134486A2	12 September 2013 (12-09-2013)

INTERNATIONAL SEARCH REPORT
Information on patent family members

International application No.

PCT/IB2020/000650

Patent Document Cited in Search Report	Publication Date	Patent Family Member(s)	Publication Date
		WO2013134486A3	31 July 2014 (31-07-2014)
		WO2013134486A4	16 October 2014 (16-10-2014)
		WO2013134519A2	12 September 2013 (12-09-2013)
		WO2013134519A3	06 February 2014 (06-02-2014)
		WO2015003141A1	08 January 2015 (08-01-2015)
		WO2015003145A1	08 January 2015 (08-01-2015)
		WO2016004329A1	07 January 2016 (07-01-2016)
		WO2018200370A1	01 November 2018 (01-11-2018)
		WO2018200509A1	01 November 2018 (01-11-2018)
		WO2019209963A1	31 October 2019 (31-10-2019)
CA3059311A1	16 July 2009 (16-07-2009)	AT504325T	15 April 2011 (15-04-2011)
		AT512682T	15 July 2011 (15-07-2011)
		AT524207T	15 September 2011 (15-09-2011)
		AU2007212192A1	16 August 2007 (16-08-2007)
		AU2007212192A2	25 September 2008 (25-09-2008)
		AU2007212192B2	17 January 2013 (17-01-2013)
		AU2007212269A1	16 August 2007 (16-08-2007)
		AU2007212269A2	25 September 2008 (25-09-2008)
		AU2007212269B2	28 March 2013 (28-03-2013)
		AU2007212275A1	16 August 2007 (16-08-2007)
		AU2007212275A2	20 November 2008 (20-11-2008)
		AU2007212275B2	21 March 2013 (21-03-2013)
		AU2007215305A1	23 August 2007 (23-08-2007)
		AU2007215305A2	09 October 2008 (09-10-2008)
		AU2007215305B2	12 September 2013 (12-09-2013)
		AU2008347241A1	16 July 2009 (16-07-2009)
		AU2008347241B2	18 September 2014 (18-09-2014)
		BRPI0707576A2	10 May 2011 (10-05-2011)
		BRPI0821466A2	16 June 2015 (16-06-2015)
		BRPI0821466B1	11 August 2020 (11-08-2020)
		CA2641569A1	16 August 2007 (16-08-2007)
		CA2641569C	06 October 2015 (06-10-2015)
		CA2641574A1	16 August 2007 (16-08-2007)
		CA2641574C	05 May 2015 (05-05-2015)
		CA2641583A1	16 August 2007 (16-08-2007)
		CA2641583C	14 June 2016 (14-06-2016)
		CA2641643A1	23 August 2007 (23-08-2007)
		CA2641643C	14 October 2014 (14-10-2014)
		CA2677667A1	14 August 2008 (14-08-2008)
		CA2711244A1	16 July 2009 (16-07-2009)
		CA2711244C	16 February 2016 (16-02-2016)
		CA2738389A1	18 March 2010 (18-03-2010)
		CA2738389C	17 January 2017 (17-01-2017)
		CA2750335A1	08 July 2010 (08-07-2010)
		CA2750335C	27 June 2017 (27-06-2017)
		CA2750634A1	08 July 2010 (08-07-2010)
		CA2750634C	08 August 2017 (08-08-2017)
		CA2768011A1	20 January 2011 (20-01-2011)
		CA2768011C	24 July 2018 (24-07-2018)
		CA2786044A1	07 July 2011 (07-07-2011)
		CA2786044C	19 March 2019 (19-03-2019)
		CA2786258A1	07 July 2011 (07-07-2011)
		CA2786258C	23 October 2018 (23-10-2018)
		CA2787178A1	28 July 2011 (28-07-2011)
		CA2787178C	12 February 2019 (12-02-2019)
		CA2866624A1	12 September 2013 (12-09-2013)

INTERNATIONAL SEARCH REPORT
Information on patent family members

International application No.

PCT/IB2020/000650

Patent Document Cited in Search Report	Publication Date	Patent Family Member(s)	Publication Date
		CA2914975A1	08 January 2015 (08-01-2015)
		CA2914977A1	08 January 2015 (08-01-2015)
		CA2919786A1	16 July 2009 (16-07-2009)
		CA2919786C	22 October 2019 (22-10-2019)
		CA2926975A1	16 August 2007 (16-08-2007)
		CA2926975C	29 October 2019 (29-10-2019)
		CA2954728A1	18 March 2010 (18-03-2010)
		CA2954728C	26 March 2019 (26-03-2019)
		CA2956895A1	07 January 2016 (07-01-2016)
		CA3017128A1	07 July 2011 (07-07-2011)
		CA3033439A1	28 July 2011 (28-07-2011)
		CA3035023A1	07 July 2011 (07-07-2011)
		CA3037726A1	18 March 2010 (18-03-2010)
		CA3059992A1	16 August 2007 (16-08-2007)
		CA3064061A1	01 November 2018 (01-11-2018)
		CA3098372A1	31 October 2019 (31-10-2019)
		CN101394878A	25 March 2009 (25-03-2009)
		CN101394879A	25 March 2009 (25-03-2009)
		CN101394879B	22 February 2012 (22-02-2012)
		CN101400391A	01 April 2009 (01-04-2009)
		CN101400391B	12 February 2014 (12-02-2014)
		CN101405043A	08 April 2009 (08-04-2009)
		CN101405043B	04 January 2012 (04-01-2012)
		CN101959547A	26 January 2011 (26-01-2011)
		CN101959547B	26 November 2014 (26-11-2014)
		CN102512725A	27 June 2012 (27-06-2012)
		CN102512725B	28 October 2015 (28-10-2015)
		CN103736165A	23 April 2014 (23-04-2014)
		CN103736165B	10 May 2017 (10-05-2017)
		CN104162200A	26 November 2014 (26-11-2014)
		CN104162200B	27 March 2018 (27-03-2018)
		CN104162201A	26 November 2014 (26-11-2014)
		CN104302350A	21 January 2015 (21-01-2015)
		CN104302350B	07 September 2018 (07-09-2018)
		CN104874047A	02 September 2015 (02-09-2015)
		CN104874047B	28 May 2019 (28-05-2019)
		CN105311705A	10 February 2016 (10-02-2016)
		CN105311705B	07 June 2019 (07-06-2019)
		CN106376233A	01 February 2017 (01-02-2017)
		CN106376233B	08 October 2019 (08-10-2019)
		CN107440681A	08 December 2017 (08-12-2017)
		CN108355194A	03 August 2018 (03-08-2018)
		CN109621078A	16 April 2019 (16-04-2019)
		CN110251769A	20 September 2019 (20-09-2019)
		CN110251773A	20 September 2019 (20-09-2019)
		DE602007013723D1	19 May 2011 (19-05-2011)
		EP1993633A2	26 November 2008 (26-11-2008)
		EP1993633B1	09 November 2016 (09-11-2016)
		EP1993634A2	26 November 2008 (26-11-2008)
		EP1993634B1	06 April 2011 (06-04-2011)
		EP1993635A2	26 November 2008 (26-11-2008)
		EP1993635B1	14 September 2011 (14-09-2011)
		EP1993636A2	26 November 2008 (26-11-2008)
		EP1993636B1	15 June 2011 (15-06-2011)
		EP1993636B2	01 March 2017 (01-03-2017)
		EP2121077A1	25 November 2009 (25-11-2009)
		EP2244765A2	03 November 2010 (03-11-2010)

INTERNATIONAL SEARCH REPORT
Information on patent family members

International application No.

PCT/IB2020/000650

Patent Document Cited in Search Report	Publication Date	Patent Family Member(s)	Publication Date
		EP2244765B1	14 August 2019 (14-08-2019)
		EP2311511A2	20 April 2011 (20-04-2011)
		EP2311511A3	05 October 2011 (05-10-2011)
		EP2311511B1	29 May 2013 (29-05-2013)
		EP2316504A2	04 May 2011 (04-05-2011)
		EP2316504A3	04 April 2012 (04-04-2012)
		EP2316504B1	25 September 2019 (25-09-2019)
		EP2324872A2	25 May 2011 (25-05-2011)
		EP2324872A3	05 October 2011 (05-10-2011)
		EP2324872B1	31 July 2013 (31-07-2013)
		EP2335754A2	22 June 2011 (22-06-2011)
		EP2335754A3	05 October 2011 (05-10-2011)
		EP2335754B1	18 December 2013 (18-12-2013)
		EP2338547A2	29 June 2011 (29-06-2011)
		EP2338547A3	07 December 2011 (07-12-2011)
		EP2338547B1	17 April 2013 (17-04-2013)
		EP2338548A2	29 June 2011 (29-06-2011)
		EP2338548A3	24 August 2011 (24-08-2011)
		EP2338548B1	29 May 2013 (29-05-2013)
		EP2343094A2	13 July 2011 (13-07-2011)
		EP2343094A3	24 August 2011 (24-08-2011)
		EP2343094B1	29 May 2013 (29-05-2013)
		EP2361105A2	31 August 2011 (31-08-2011)
		EP2381978A1	02 November 2011 (02-11-2011)
		EP2381978B1	12 July 2017 (12-07-2017)
		EP2382688A2	02 November 2011 (02-11-2011)
		EP2382688B1	20 February 2019 (20-02-2019)
		EP2453948A2	23 May 2012 (23-05-2012)
		EP2453948B1	18 February 2015 (18-02-2015)
		EP2519287A1	07 November 2012 (07-11-2012)
		EP2519287B1	20 December 2017 (20-12-2017)
		EP2519288A2	07 November 2012 (07-11-2012)
		EP2519288B1	13 April 2016 (13-04-2016)
		EP2525848A1	28 November 2012 (28-11-2012)
		EP2525848B1	03 August 2016 (03-08-2016)
		EP2532376A2	12 December 2012 (12-12-2012)
		EP2532376A3	09 March 2016 (09-03-2016)
		EP2532376B1	18 September 2019 (18-09-2019)
		EP2532377A2	12 December 2012 (12-12-2012)
		EP2532377A3	16 September 2015 (16-09-2015)
		EP2532377B1	23 November 2016 (23-11-2016)
		EP2822640A2	14 January 2015 (14-01-2015)
		EP2822640B1	05 February 2020 (05-02-2020)
		EP3016629A1	11 May 2016 (11-05-2016)
		EP3016711A1	11 May 2016 (11-05-2016)
		EP3085402A1	26 October 2016 (26-10-2016)
		EP3085402B1	09 May 2018 (09-05-2018)
		EP3164171A1	10 May 2017 (10-05-2017)
		EP3165247A1	10 May 2017 (10-05-2017)
		EP3165247B1	28 October 2020 (28-10-2020)
		EP3615128A1	04 March 2020 (04-03-2020)
		EP3662967A1	10 June 2020 (10-06-2020)
		EP3679969A2	15 July 2020 (15-07-2020)
		EP3679969A3	30 September 2020 (30-09-2020)
		JP2009525831A	16 July 2009 (16-07-2009)
		JP4969588B2	04 July 2012 (04-07-2012)
		JP2009525825A	16 July 2009 (16-07-2009)

INTERNATIONAL SEARCH REPORT
Information on patent family members

International application No.

PCT/IB2020/000650

Patent Document Cited in Search Report	Publication Date	Patent Family Member(s)	Publication Date
		JP5137854B2	06 February 2013 (06-02-2013)
		JP2009525822A	16 July 2009 (16-07-2009)
		JP5324923B2	23 October 2013 (23-10-2013)
		JP2009525828A	16 July 2009 (16-07-2009)
		JP5448460B2	19 March 2014 (19-03-2014)
		JP2011508637A	17 March 2011 (17-03-2011)
		JP5634269B2	03 December 2014 (03-12-2014)
		JP2013056190A	28 March 2013 (28-03-2013)
		JP5770706B2	26 August 2015 (26-08-2015)
		JP2013516241A	13 May 2013 (13-05-2013)
		JP5807016B2	10 November 2015 (10-11-2015)
		JP2013516242A	13 May 2013 (13-05-2013)
		JP5820391B2	24 November 2015 (24-11-2015)
		JP2013518204A	20 May 2013 (20-05-2013)
		JP5844280B2	13 January 2016 (13-01-2016)
		JP2013056205A	28 March 2013 (28-03-2013)
		JP5876404B2	02 March 2016 (02-03-2016)
		JP2013099579A	23 May 2013 (23-05-2013)
		JP5890787B2	22 March 2016 (22-03-2016)
		JP2012533360A	27 December 2012 (27-12-2012)
		JP5961111B2	02 August 2016 (02-08-2016)
		JP2014121641A	03 July 2014 (03-07-2014)
		JP6054899B2	27 December 2016 (27-12-2016)
		JP2016019865A	04 February 2016 (04-02-2016)
		JP6189390B2	30 August 2017 (30-08-2017)
		JP2015512690A	30 April 2015 (30-04-2015)
		JP6254956B2	27 December 2017 (27-12-2017)
		JP2012502693A	02 February 2012 (02-02-2012)
		JP6288903B2	07 March 2018 (07-03-2018)
		JP2015180318A	15 October 2015 (15-10-2015)
		JP6301287B2	28 March 2018 (28-03-2018)
		JP2015198955A	12 November 2015 (12-11-2015)
		JP6367155B2	01 August 2018 (01-08-2018)
		JP2016526454A	05 September 2016 (05-09-2016)
		JP6434009B2	05 December 2018 (05-12-2018)
		JP2014168695A	18 September 2014 (18-09-2014)
		JP6484404B2	13 March 2019 (13-03-2019)
		JP2010137061A	24 June 2010 (24-06-2010)
		JP2010155090A	15 July 2010 (15-07-2010)
		JP2010155091A	15 July 2010 (15-07-2010)
		JP2010179108A	19 August 2010 (19-08-2010)
		JP2010517700A	27 May 2010 (27-05-2010)
		JP2014000432A	09 January 2014 (09-01-2014)
		JP2014140766A	07 August 2014 (07-08-2014)
		JP2014166574A	11 September 2014 (11-09-2014)
		JP2015083215A	30 April 2015 (30-04-2015)
		JP2015123374A	06 July 2015 (06-07-2015)
		JP2015180319A	15 October 2015 (15-10-2015)
		JP2015198972A	12 November 2015 (12-11-2015)
		JP2017029766A	09 February 2017 (09-02-2017)
		JP2017029768A	09 February 2017 (09-02-2017)
		JP2017077494A	27 April 2017 (27-04-2017)
		JP2017136435A	10 August 2017 (10-08-2017)
		JP2017148542A	31 August 2017 (31-08-2017)
		JP2017164553A	21 September 2017 (21-09-2017)
		JP2017221755A	21 December 2017 (21-12-2017)
		JP2018122141A	09 August 2018 (09-08-2018)

INTERNATIONAL SEARCH REPORT

Information on patent family members

International application No.

PCT/IB2020/000650

Patent Document Cited in Search Report	Publication Date	Patent Family Member(s)	Publication Date
		JP2018122142A	09 August 2018 (09-08-2018)
		JP2018167128A	01 November 2018 (01-11-2018)
		JP2018171505A	08 November 2018 (08-11-2018)
		JP2019013794A	31 January 2019 (31-01-2019)
		JP2019030735A	28 February 2019 (28-02-2019)
		JP2019107516A	04 July 2019 (04-07-2019)
		JP2019115750A	18 July 2019 (18-07-2019)
		JP2019166406A	03 October 2019 (03-10-2019)
		JP2020022789A	13 February 2020 (13-02-2020)
		JP2020096888A	25 June 2020 (25-06-2020)
		JP2020096889A	25 June 2020 (25-06-2020)
		JP2020121174A	13 August 2020 (13-08-2020)
		JP2020142153A	10 September 2020 (10-09-2020)
		JP2020179217A	05 November 2020 (05-11-2020)
		JP2020192388A	03 December 2020 (03-12-2020)
		JP2021000526A	07 January 2021 (07-01-2021)
		JP2021000527A	07 January 2021 (07-01-2021)
		MX338464B	15 April 2016 (15-04-2016)
		MX343139B	25 October 2016 (25-10-2016)
		MX2008010336A	18 November 2008 (18-11-2008)
		MX343851B	24 November 2016 (24-11-2016)
		MX361885B	18 December 2018 (18-12-2018)
		MX2008010340A	18 November 2008 (18-11-2008)
		MX2008010341A	18 November 2008 (18-11-2008)
		MX2008010342A	18 November 2008 (18-11-2008)
		MX2010007324A	30 September 2010 (30-09-2010)
		MX2015017385A	19 August 2016 (19-08-2016)
		RU2008136190A	20 March 2010 (20-03-2010)
		RU2447905C2	20 April 2012 (20-04-2012)
		RU2010132226A	10 February 2012 (10-02-2012)
		RU2510758C2	10 April 2014 (10-04-2014)
		US2007072317A1	29 March 2007 (29-03-2007)
		US7756687B2	13 July 2010 (13-07-2010)
		US2007219597A1	20 September 2007 (20-09-2007)
		US8113244B2	14 February 2012 (14-02-2012)
		US2012209189A1	16 August 2012 (16-08-2012)
		US8303574B2	06 November 2012 (06-11-2012)
		US2007228071A1	04 October 2007 (04-10-2007)
		US8414522B2	09 April 2013 (09-04-2013)
		US2009299289A1	03 December 2009 (03-12-2009)
		US8414563B2	09 April 2013 (09-04-2013)
		US2012209191A1	16 August 2012 (16-08-2012)
		US8435214B2	07 May 2013 (07-05-2013)
		US2012209209A1	16 August 2012 (16-08-2012)
		US8486018B2	16 July 2013 (16-07-2013)
		US2009299277A1	03 December 2009 (03-12-2009)
		US8491570B2	23 July 2013 (23-07-2013)
		US2009275896A1	05 November 2009 (05-11-2009)
		US8496646B2	30 July 2013 (30-07-2013)
		US2012209207A1	16 August 2012 (16-08-2012)
		US8518000B2	27 August 2013 (27-08-2013)
		US2007219480A1	20 September 2007 (20-09-2007)
		US8545445B2	01 October 2013 (01-10-2013)
		US2012209184A1	16 August 2012 (16-08-2012)
		US8551052B2	08 October 2013 (08-10-2013)
		US2012203177A1	09 August 2012 (09-08-2012)
		US8579884B2	12 November 2013 (12-11-2013)

INTERNATIONAL SEARCH REPORT
Information on patent family members

International application No.

PCT/IB2020/000650

Patent Document Cited in Search Report	Publication Date	Patent Family Member(s)	Publication Date
		US2007219496A1	20 September 2007 (20-09-2007)
		US8585377B2	19 November 2013 (19-11-2013)
		US2011190694A1	04 August 2011 (04-08-2011)
		US8613724B2	24 December 2013 (24-12-2013)
		US2012209239A1	16 August 2012 (16-08-2012)
		US8617107B2	31 December 2013 (31-12-2013)
		US2012209217A1	16 August 2012 (16-08-2012)
		US8679073B2	25 March 2014 (25-03-2014)
		US2012209219A1	16 August 2012 (16-08-2012)
		US8702656B2	22 April 2014 (22-04-2014)
		US2010185142A1	22 July 2010 (22-07-2010)
		US8784364B2	22 July 2014 (22-07-2014)
		US2011300001A1	08 December 2011 (08-12-2011)
		US8852164B2	07 October 2014 (07-10-2014)
		US2011186177A1	04 August 2011 (04-08-2011)
		US8881774B2	11 November 2014 (11-11-2014)
		US2010191186A1	29 July 2010 (29-07-2010)
		US8900188B2	02 December 2014 (02-12-2014)
		US2012150115A1	14 June 2012 (14-06-2012)
		US8998850B2	07 April 2015 (07-04-2015)
		US2014025001A1	23 January 2014 (23-01-2014)
		US9017286B2	28 April 2015 (28-04-2015)
		US2012209187A1	16 August 2012 (16-08-2012)
		US9033921B2	19 May 2015 (19-05-2015)
		US2014039395A1	06 February 2014 (06-02-2014)
		US9033922B2	19 May 2015 (19-05-2015)
		US2012109062A1	03 May 2012 (03-05-2012)
		US9119913B2	01 September 2015 (01-09-2015)
		US2014046260A1	13 February 2014 (13-02-2014)
		US9162027B2	20 October 2015 (20-10-2015)
		US2013231608A1	05 September 2013 (05-09-2013)
		US9248233B2	02 February 2016 (02-02-2016)
		US2013300565A1	14 November 2013 (14-11-2013)
		US9259531B2	16 February 2016 (16-02-2016)
		US2012209240A1	16 August 2012 (16-08-2012)
		US9265879B2	23 February 2016 (23-02-2016)
		US2012209244A1	16 August 2012 (16-08-2012)
		US9278174B2	08 March 2016 (08-03-2016)
		US2012209199A1	16 August 2012 (16-08-2012)
		US9295779B2	29 March 2016 (29-03-2016)
		US2012209180A1	16 August 2012 (16-08-2012)
		US9295780B2	29 March 2016 (29-03-2016)
		US2012209190A1	16 August 2012 (16-08-2012)
		US9339603B2	17 May 2016 (17-05-2016)
		US2014048174A1	20 February 2014 (20-02-2014)
		US9456955B2	04 October 2016 (04-10-2016)
		US2011144574A1	16 June 2011 (16-06-2011)
		US9492606B2	15 November 2016 (15-11-2016)
		US2012209188A1	16 August 2012 (16-08-2012)
		US9492612B2	15 November 2016 (15-11-2016)
		US2013303991A1	14 November 2013 (14-11-2013)
		US9492613B2	15 November 2016 (15-11-2016)
		US2014221929A1	07 August 2014 (07-08-2014)
		US9492614B2	15 November 2016 (15-11-2016)
		US2012209198A1	16 August 2012 (16-08-2012)
		US9498587B2	22 November 2016 (22-11-2016)
		US2009281497A1	12 November 2009 (12-11-2009)

INTERNATIONAL SEARCH REPORT
Information on patent family members

International application No.

PCT/IB2020/000650

Patent Document Cited in Search Report	Publication Date	Patent Family Member(s)	Publication Date
		US9526830B2	27 December 2016 (27-12-2016)
		US2015151857A1	04 June 2015 (04-06-2015)
		US9617020B2	11 April 2017 (11-04-2017)
		US2012209179A1	16 August 2012 (16-08-2012)
		US9623198B2	18 April 2017 (18-04-2017)
		US2014142498A1	22 May 2014 (22-05-2014)
		US9649433B2	16 May 2017 (16-05-2017)
		US2015231329A1	20 August 2015 (20-08-2015)
		US9687602B2	27 June 2017 (27-06-2017)
		US2014114282A1	24 April 2014 (24-04-2014)
		US9724461B2	08 August 2017 (08-08-2017)
		US2010198183A1	05 August 2010 (05-08-2010)
		US9839743B2	12 December 2017 (12-12-2017)
		US2017056585A1	02 March 2017 (02-03-2017)
		US9861769B2	09 January 2018 (09-01-2018)
		US2015045767A1	12 February 2015 (12-02-2015)
		US9867930B2	16 January 2018 (16-01-2018)
		US2014194816A1	10 July 2014 (10-07-2014)
		US9895499B2	20 February 2018 (20-02-2018)
		US2017056578A1	02 March 2017 (02-03-2017)
		US9901689B2	27 February 2018 (27-02-2018)
		US2016206808A1	21 July 2016 (21-07-2016)
		US9907903B2	06 March 2018 (06-03-2018)
		US2015165114A1	18 June 2015 (18-06-2015)
		US9907943B2	06 March 2018 (06-03-2018)
		US2013281974A1	24 October 2013 (24-10-2013)
		US9931461B2	03 April 2018 (03-04-2018)
		US2012204996A1	16 August 2012 (16-08-2012)
		US9931479B2	03 April 2018 (03-04-2018)
		US2015273141A1	01 October 2015 (01-10-2015)
		US9943652B2	17 April 2018 (17-04-2018)
		US2016184514A1	30 June 2016 (30-06-2016)
		US9943653B2	17 April 2018 (17-04-2018)
		US2014350459A1	27 November 2014 (27-11-2014)
		US9993600B2	12 June 2018 (12-06-2018)
		US2010185175A1	22 July 2010 (22-07-2010)
		US10010669B2	03 July 2018 (03-07-2018)
		US2012209178A1	16 August 2012 (16-08-2012)
		US10071210B2	11 September 2018 (11-09-2018)
		US2015157537A1	11 June 2015 (11-06-2015)
		US10080704B2	25 September 2018 (25-09-2018)
		US2016166764A1	16 June 2016 (16-06-2016)
		US10099018B2	16 October 2018 (16-10-2018)
		US2015283031A1	08 October 2015 (08-10-2015)
		US10105286B2	23 October 2018 (23-10-2018)
		US2016008537A1	14 January 2016 (14-01-2016)
		US10137241B2	27 November 2018 (27-11-2018)
		US2016206809A1	21 July 2016 (21-07-2016)
		US10166329B2	01 January 2019 (01-01-2019)
		US2010198182A1	05 August 2010 (05-08-2010)
		US10188787B2	29 January 2019 (29-01-2019)
		US2016158463A1	09 June 2016 (09-06-2016)
		US10226587B2	12 March 2019 (12-03-2019)
		US2016022903A1	28 January 2016 (28-01-2016)
		US10232131B2	19 March 2019 (19-03-2019)
		US2016256627A1	08 September 2016 (08-09-2016)
		US10245389B2	02 April 2019 (02-04-2019)

INTERNATIONAL SEARCH REPORT

Information on patent family members

International application No.

PCT/IB2020/000650

Patent Document Cited in Search Report	Publication Date	Patent Family Member(s)	Publication Date
		US2017056584A1	02 March 2017 (02-03-2017)
		US10245390B2	02 April 2019 (02-04-2019)
		US2016038671A1	11 February 2016 (11-02-2016)
		US10272195B2	30 April 2019 (30-04-2019)
		US2012209193A1	16 August 2012 (16-08-2012)
		US10293117B2	21 May 2019 (21-05-2019)
		US2015224255A1	13 August 2015 (13-08-2015)
		US10328215B2	25 June 2019 (25-06-2019)
		US2015246177A1	03 September 2015 (03-09-2015)
		US10335557B2	02 July 2019 (02-07-2019)
		US2016025544A1	28 January 2016 (28-01-2016)
		US10369299B2	06 August 2019 (06-08-2019)
		US2016144114A1	26 May 2016 (26-05-2016)
		US10383999B2	20 August 2019 (20-08-2019)
		US2017281860A1	05 October 2017 (05-10-2017)
		US10485922B2	26 November 2019 (26-11-2019)
		US2012209186A1	16 August 2012 (16-08-2012)
		US10639418B2	05 May 2020 (05-05-2020)
		US2017216520A1	03 August 2017 (03-08-2017)
		US10653833B2	19 May 2020 (19-05-2020)
		US2019262553A1	29 August 2019 (29-08-2019)
		US10668210B2	02 June 2020 (02-06-2020)
		US2018185592A1	05 July 2018 (05-07-2018)
		US10682463B2	16 June 2020 (16-06-2020)
		US2012209195A1	16 August 2012 (16-08-2012)
		US10709838B2	14 July 2020 (14-07-2020)
		US2018169353A1	21 June 2018 (21-06-2018)
		US10716893B2	21 July 2020 (21-07-2020)
		US2018193553A1	12 July 2018 (12-07-2018)
		US10722643B2	28 July 2020 (28-07-2020)
		US2019046739A1	14 February 2019 (14-02-2019)
		US10722647B2	28 July 2020 (28-07-2020)
		US2018133394A1	17 May 2018 (17-05-2018)
		US10751467B2	25 August 2020 (25-08-2020)
		US2017210496A1	27 July 2017 (27-07-2017)
		US10773836B2	15 September 2020 (15-09-2020)
		US2017354778A1	14 December 2017 (14-12-2017)
		US10780220B2	22 September 2020 (22-09-2020)
		US2019262555A1	29 August 2019 (29-08-2019)
		US10786624B2	29 September 2020 (29-09-2020)
		US2018228985A1	16 August 2018 (16-08-2018)
		US2019134317A9	09 May 2019 (09-05-2019)
		US10835669B2	17 November 2020 (17-11-2020)
		US2015250941A1	10 September 2015 (10-09-2015)
		US10850029B2	01 December 2020 (01-12-2020)
		US2008195045A1	14 August 2008 (14-08-2008)
		US2011306931A1	15 December 2011 (15-12-2011)
		US2012209181A1	16 August 2012 (16-08-2012)
		US2012209182A1	16 August 2012 (16-08-2012)
		US2012209183A1	16 August 2012 (16-08-2012)
		US2012209185A1	16 August 2012 (16-08-2012)
		US2012209204A1	16 August 2012 (16-08-2012)
		US2013249687A1	26 September 2013 (26-09-2013)
		US2014031743A1	30 January 2014 (30-01-2014)
		US2014054883A1	27 February 2014 (27-02-2014)
		US2014074029A1	13 March 2014 (13-03-2014)
		US2014107579A1	17 April 2014 (17-04-2014)

INTERNATIONAL SEARCH REPORT
Information on patent family members

International application No.

PCT/IB2020/000650

Patent Document Cited in Search Report	Publication Date	Patent Family Member(s)	Publication Date
		US2014207067A1	24 July 2014 (24-07-2014)
		US2015051571A1	19 February 2015 (19-02-2015)
		US2015174320A1	25 June 2015 (25-06-2015)
		US2015303563A1	22 October 2015 (22-10-2015)
		US2017065765A1	09 March 2017 (09-03-2017)
		US2017136178A1	18 May 2017 (18-05-2017)
		US2017239417A1	24 August 2017 (24-08-2017)
		US2017246383A1	31 August 2017 (31-08-2017)
		US2017290976A1	12 October 2017 (12-10-2017)
		US2018126097A1	10 May 2018 (10-05-2018)
		US2018193629A1	12 July 2018 (12-07-2018)
		US2018221595A1	09 August 2018 (09-08-2018)
		US2018237174A1	23 August 2018 (23-08-2018)
		US2018289900A1	11 October 2018 (11-10-2018)
		US2019021954A1	24 January 2019 (24-01-2019)
		US2019022337A1	24 January 2019 (24-01-2019)
		US2019046405A1	14 February 2019 (14-02-2019)
		US2019046720A1	14 February 2019 (14-02-2019)
		US2019083698A1	21 March 2019 (21-03-2019)
		US2019099560A1	04 April 2019 (04-04-2019)
		US2019125960A1	02 May 2019 (02-05-2019)
		US2019134297A1	09 May 2019 (09-05-2019)
		US2019175822A1	13 June 2019 (13-06-2019)
		US2019201638A1	04 July 2019 (04-07-2019)
		US2019224410A1	25 July 2019 (25-07-2019)
		US2019224411A1	25 July 2019 (25-07-2019)
		US2019248518A1	15 August 2019 (15-08-2019)
		US2019262552A1	29 August 2019 (29-08-2019)
		US2019262554A1	29 August 2019 (29-08-2019)
		US2019269862A1	05 September 2019 (05-09-2019)
		US2019298914A1	03 October 2019 (03-10-2019)
		US2019307970A1	10 October 2019 (10-10-2019)
		US2019321260A1	24 October 2019 (24-10-2019)
		US2019336681A1	07 November 2019 (07-11-2019)
		US2019365992A1	05 December 2019 (05-12-2019)
		US2019388609A1	26 December 2019 (26-12-2019)
		US2020086042A1	19 March 2020 (19-03-2020)
		US2020261645A1	20 August 2020 (20-08-2020)
		US2020276386A1	03 September 2020 (03-09-2020)
		US2020303748A1	24 September 2020 (24-09-2020)
		US2020306446A1	01 October 2020 (01-10-2020)
		US2020338262A1	29 October 2020 (29-10-2020)
		US2020345931A1	05 November 2020 (05-11-2020)
		US2020353158A1	12 November 2020 (12-11-2020)
		WO2007092618A2	16 August 2007 (16-08-2007)
		WO2007092618A3	06 December 2007 (06-12-2007)
		WO2007092624A2	16 August 2007 (16-08-2007)
		WO2007092624A3	27 December 2007 (27-12-2007)
		WO2007092637A2	16 August 2007 (16-08-2007)
		WO2007092637A3	13 December 2007 (13-12-2007)
		WO2007095093A2	23 August 2007 (23-08-2007)
		WO2007095093A3	17 January 2008 (17-01-2008)
		WO2008098246A1	14 August 2008 (14-08-2008)
		WO2009088956A2	16 July 2009 (16-07-2009)
		WO2009088956A3	03 September 2009 (03-09-2009)
		WO2009088956A8	12 August 2010 (12-08-2010)
		WO2010031059A2	18 March 2010 (18-03-2010)

INTERNATIONAL SEARCH REPORT
Information on patent family members

International application No.

PCT/IB2020/000650

Patent Document Cited in Search Report	Publication Date	Patent Family Member(s)	Publication Date
		WO2010031059A3	12 August 2010 (12-08-2010)
		WO2010078207A1	08 July 2010 (08-07-2010)
		WO2010078434A2	08 July 2010 (08-07-2010)
		WO2010078434A3	24 February 2011 (24-02-2011)
		WO2011008966A2	20 January 2011 (20-01-2011)
		WO2011008966A3	11 August 2011 (11-08-2011)
		WO2011082265A1	07 July 2011 (07-07-2011)
		WO2011082272A2	07 July 2011 (07-07-2011)
		WO2011082272A3	06 October 2011 (06-10-2011)
		WO2011091265A1	28 July 2011 (28-07-2011)
		WO2013134486A2	12 September 2013 (12-09-2013)
		WO2013134486A3	31 July 2014 (31-07-2014)
		WO2013134486A4	16 October 2014 (16-10-2014)
		WO2013134519A2	12 September 2013 (12-09-2013)
		WO2013134519A3	06 February 2014 (06-02-2014)
		WO2015003141A1	08 January 2015 (08-01-2015)
		WO2015003145A1	08 January 2015 (08-01-2015)
		WO2016004329A1	07 January 2016 (07-01-2016)
		WO2018200370A1	01 November 2018 (01-11-2018)
		WO2018200509A1	01 November 2018 (01-11-2018)
		WO2019209963A1	31 October 2019 (31-10-2019)
US201724552A1	31 August 2017 (31-08-2017)	CA3009109A1	31 August 2017 (31-08-2017)
		CN108697166A	23 October 2018 (23-10-2018)
		EP3419447A1	02 January 2019 (02-01-2019)
		EP3419447B1	01 April 2020 (01-04-2020)
		IL260139D0	31 July 2018 (31-07-2018)
		JP2019509733A	11 April 2019 (11-04-2019)
		KR20180117603A	29 October 2018 (29-10-2018)
		MX2018009959A	29 November 2018 (29-11-2018)
		RU2018130570A	25 March 2020 (25-03-2020)
		RU2018130570A3	25 March 2020 (25-03-2020)
		RU2720565C2	12 May 2020 (12-05-2020)
		WO2017144380A1	31 August 2017 (31-08-2017)

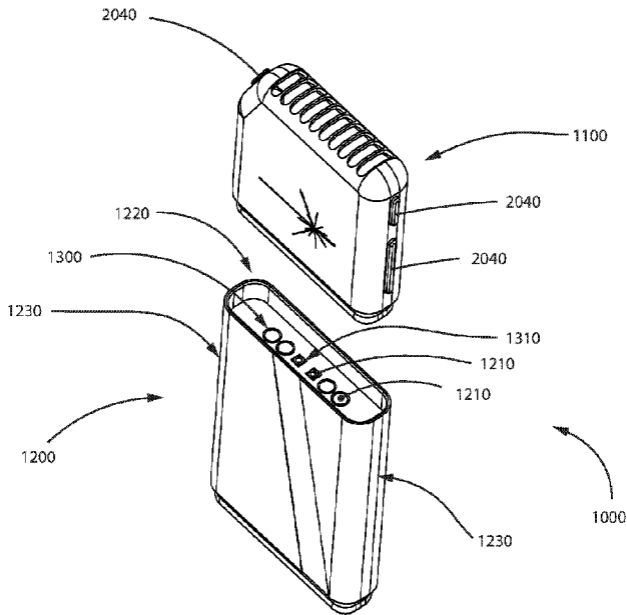


FIG. 2A