



(12) **United States Design Patent**
Vranish

(10) **Patent No.:** **US D896,930 S**
(45) **Date of Patent:** **** Sep. 22, 2020**

- (54) **COUPLING**
- (71) Applicant: **Colder Products Company**, St. Paul, MN (US)
- (72) Inventor: **David J. Vranish**, Mound, MN (US)
- (73) Assignee: **Colder Products Company**, Roseville, MN (US)
- (**) Term: **15 Years**
- (21) Appl. No.: **29/663,418**
- (22) Filed: **Sep. 14, 2018**

4,340,052 A	7/1982	Dennehey et al.
4,447,040 A	5/1984	Magorian
4,541,457 A	9/1985	Blenkush
D298,605 S	11/1988	Colgan et al.
4,875,711 A *	10/1989	Watanabe F16L 19/0231 285/45
4,892,117 A	1/1990	Spalink
4,919,457 A *	4/1990	Moretti F16L 37/0915 285/308
D309,774 S *	8/1990	Lewis D23/262
D313,067 S *	12/1990	Kotake D23/262
5,018,352 A	5/1991	Compton
5,104,158 A	4/1992	Meyer et al.
5,292,157 A	3/1994	Rubichon
5,316,041 A	5/1994	Ramacier, Jr. et al.
5,494,074 A	2/1996	Ramacier et al.
5,546,985 A	8/1996	Bartholomew
5,709,243 A	1/1998	Wells et al.

(Continued)

Related U.S. Application Data

- (63) Continuation of application No. 29/592,837, filed on Feb. 2, 2017, now Pat. No. Des. 830,524, which is a continuation-in-part of application No. 14/212,322, filed on Mar. 14, 2014, now abandoned, which is a continuation of application No. 14/567,254, filed on Dec. 11, 2014.
- (51) **LOC (12) Cl.** **23-02**
- (52) **U.S. Cl.**
USPC **D23/262; D24/129**
- (58) **Field of Classification Search**
USPC D23/259, 266, 262, 263, 265;
D24/110-112, 127, 129; D8/382, 396;
251/149.6-149.9; 285/149.6, 308, 320;
137/614.02, 614.05-614.06, 798
CPC A61M 39/26; F16L 27/073
See application file for complete search history.

References Cited

U.S. PATENT DOCUMENTS

3,334,659 A	8/1967	Magorien
4,079,966 A *	3/1978	Berry F16L 15/08 285/24
4,327,770 A	5/1982	Brown et al.

OTHER PUBLICATIONS

International Search Report and Written Opinion for PCT/US2014/027937 dated Jul. 8, 2014.

(Continued)

Primary Examiner — Amy C Wierenga
(74) *Attorney, Agent, or Firm* — Fish & Richardson P.C.

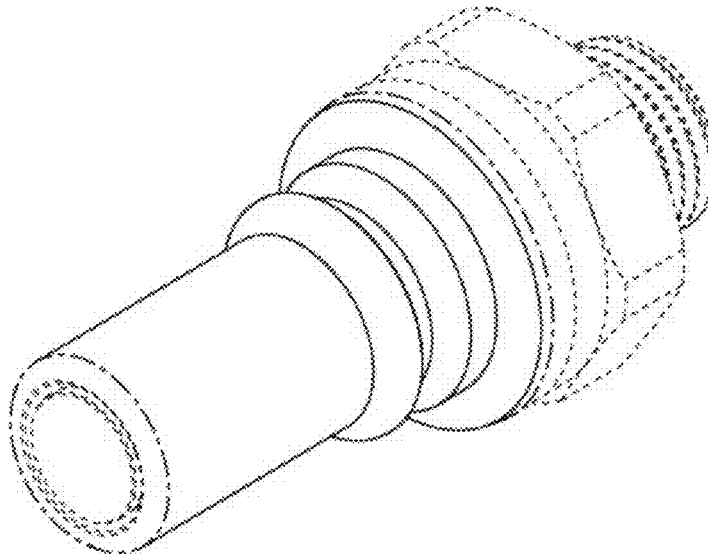
(57) **CLAIM**

The ornamental design for a coupling, as shown and described.

DESCRIPTION

FIG. 1 is perspective view of the coupling. FIG. 2 is a side view of the coupling; and, FIG. 3 is a left end view of the coupling of FIG. 2. The dashed broken lines in the drawing depict portions of the coupling that form no part of the claim. The dash-dot broken lines define the boundaries of the claim and form no part thereof.

1 Claim, 2 Drawing Sheets



(56)

References Cited

U.S. PATENT DOCUMENTS

D396,730 S	8/1998	Schaupp		D679,784 S	4/2013	Meyer	
5,911,403 A	6/1999	deCler et al.		D687,528 S	8/2013	Meyer	
5,938,244 A	8/1999	Meyer		8,764,068 B2	7/2014	Frick et al.	
5,975,489 A	11/1999	deCler et al.		8,870,235 B2	10/2014	Turk	
D419,860 S	2/2000	Persson		8,910,980 B2*	12/2014	Neal	F16L 33/18 285/247
6,024,124 A	2/2000	Braun et al.		9,157,560 B2	10/2015	Rehder et al.	
6,082,401 A	7/2000	Braun et al.		D752,721 S	3/2016	Wildfang et al.	
6,176,263 B1	1/2001	Lacroix et al.		D758,555 S	6/2016	Van Dyke et al.	
6,328,348 B1	12/2001	Cornford et al.		D761,395 S	7/2016	Plackner et al.	
6,386,596 B1*	5/2002	Olson	F16L 37/0927 285/321	D788,890 S	6/2017	Downs et al.	
D468,016 S	12/2002	Mosler et al.		9,689,516 B2	6/2017	Frick et al.	
6,517,121 B1*	2/2003	Cresswell	F16L 37/0887 285/321	D816,211 S*	4/2018	Guala	D24/110.6
6,681,803 B2	1/2004	Taneya et al.		D830,523 S*	10/2018	Vranish	D23/262
6,685,230 B1*	2/2004	Bottura	F16L 37/0915 285/340	D830,524 S*	10/2018	Vranish	D23/262
7,044,161 B2	5/2006	Tiberghien		D838,350 S	1/2019	Downs et al.	
7,063,357 B1	6/2006	Bay		2005/0001425 A1	1/2005	deCler et al.	
7,185,674 B2	3/2007	Taylor		2007/0029796 A1	2/2007	Bibby	
7,213,845 B2	5/2007	Sato		2007/0120361 A1*	5/2007	Kao	F16L 37/0841 285/308
7,469,472 B2	12/2008	deCler et al.		2009/0167018 A1	7/2009	Lien	
7,547,047 B2	6/2009	deCler et al.		2010/0019487 A1	1/2010	deCler et al.	
7,568,737 B2	8/2009	Wells et al.		2010/0051129 A1	3/2010	Kitagawa	
D608,424 S	1/2010	Katsuta et al.		2013/0092271 A1	4/2013	Downs et al.	
D610,760 S	2/2010	Zugen et al.		2014/0060675 A1	3/2014	Wilhelm et al.	
D654,573 S	2/2010	Lombardi et al.		2014/0261819 A1	9/2014	Vranish	
7,708,029 B2	5/2010	Kitagawa et al.		2015/0090915 A1	4/2015	Vranish	
7,980,599 B2	7/2011	Schindel		2015/0267851 A1	9/2015	Aoki	
D648,008 S	11/2011	Percoco et al.					
8,201,853 B2	6/2012	Tiberghien et al.					

OTHER PUBLICATIONS

International Preliminary Report on Patentability in Application No. PCT/US2014/027397, dated Sep. 15, 2015, 6 pages.

* cited by examiner

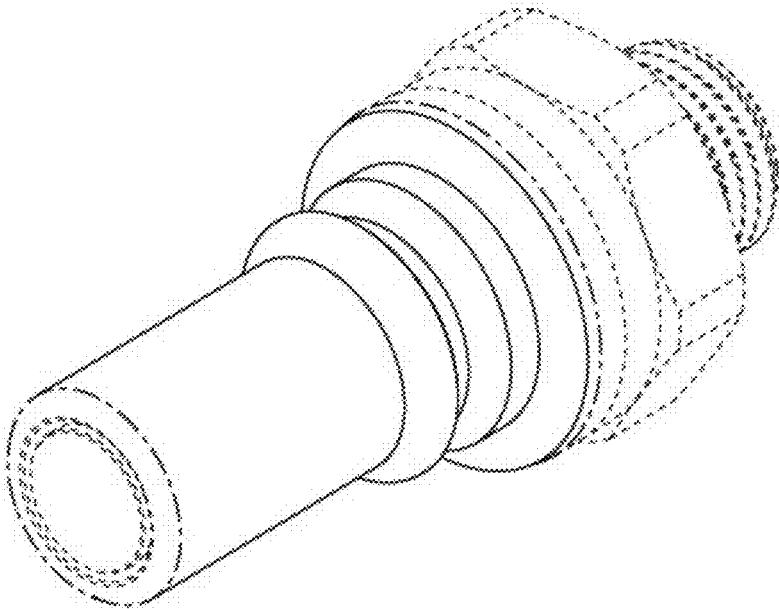


FIG. 1

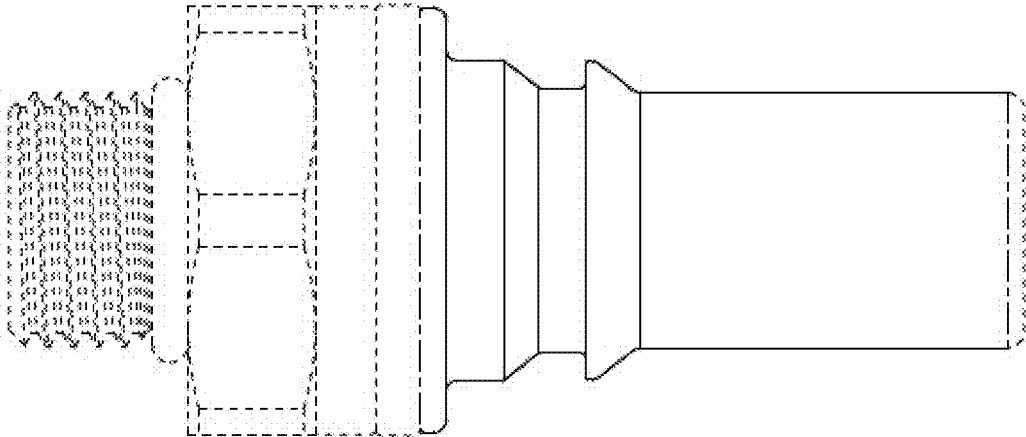


FIG. 2

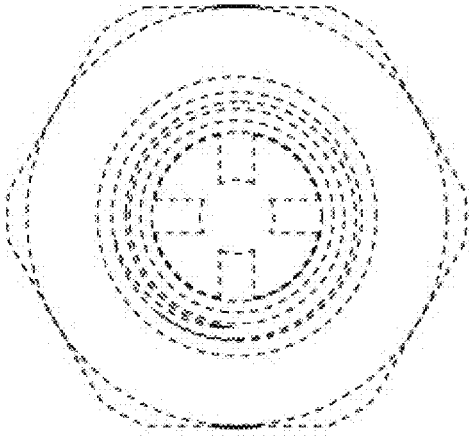


FIG. 3