

[54] MEDICAL TUBING CONNECTOR

[76] Inventor: Michael L. Haining, 6731 Ashmore,
Houston, Tex. 77069

[**] Term: 14 Years

[21] Appl. No.: 187,873

[22] Filed: Apr. 29, 1988

[52] U.S. Cl. D24/53

[58] Field of Search D24/53; 604/29, 280,
604/283, 403, 406, 905; 285/81, 92, 332, 340,
386

[56] References Cited

U.S. PATENT DOCUMENTS

D. 204,670	5/1966	Gilson	D24/53
D. 259,278	5/1981	McCaw et al.	D24/53
D. 300,361	3/1989	Tokarz	D24/53
4,123,091	10/1978	Cosentino et al.	D24/53 X
4,588,402	5/1986	Igari et al.	D24/53 X
4,752,292	6/1988	Lopez et al.	604/244

Primary Examiner—A. Hugo Word

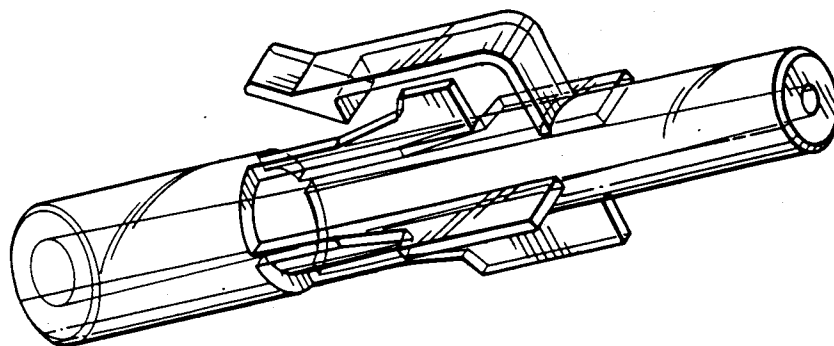
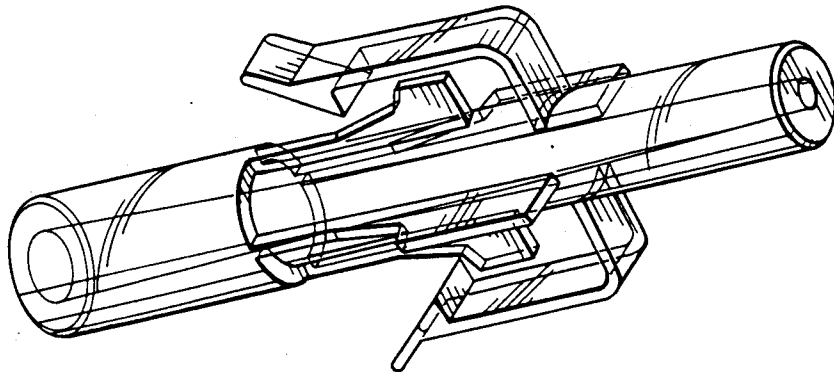
Assistant Examiner—Stella M. Reid
Attorney, Agent, or Firm—Richard L. Moseley

[57] CLAIM

The ornamental design for a medical tubing connector,
as shown and described.

DESCRIPTION

FIG. 1 is a perspective view of a medical tubing connector, showing my new design;
FIG. 2 is a side elevational view thereof, the opposite side being identical thereto;
FIG. 3 is a top plan view thereof, the bottom plan view being identical thereto;
FIG. 4 is a rear elevational view thereof;
FIG. 5 is a front elevational view thereof;
FIG. 6 is a perspective view of a second embodiment of FIG. 1;
FIG. 7 is a side elevational view thereof, the opposite side being identical thereto;
FIG. 8 is a top plan view thereof, the bottom plan view being identical thereto;
FIG. 9 is a rear elevational view thereof; and
FIG. 10 is a front elevational view thereof.



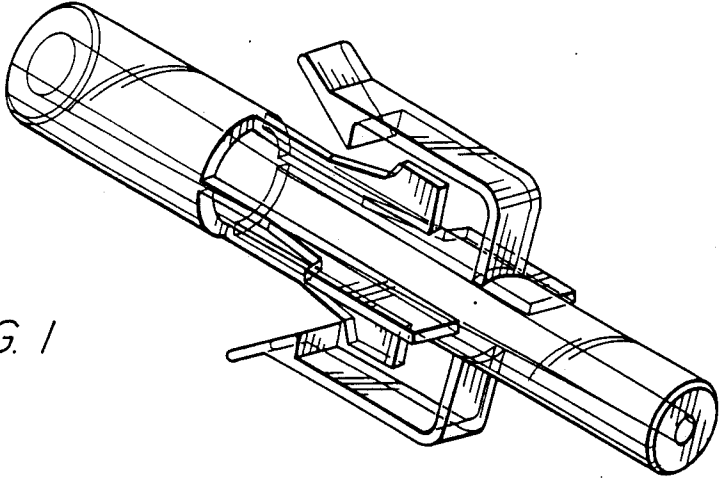


FIG. 1

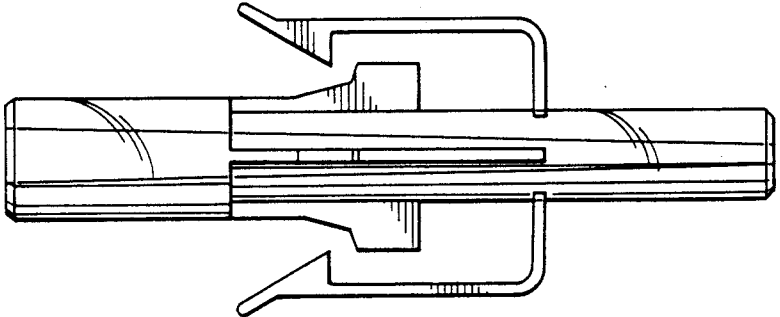


FIG. 2

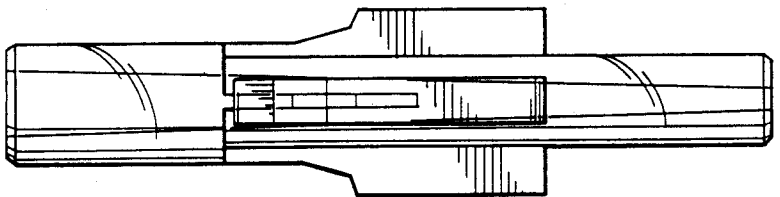


FIG. 3

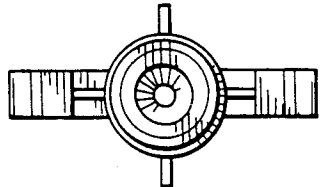


FIG. 4

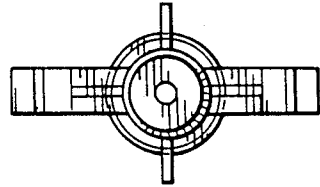


FIG. 5

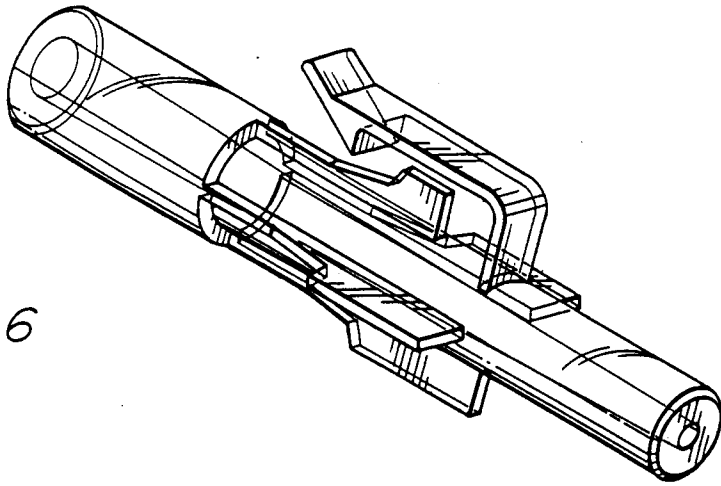


FIG. 6

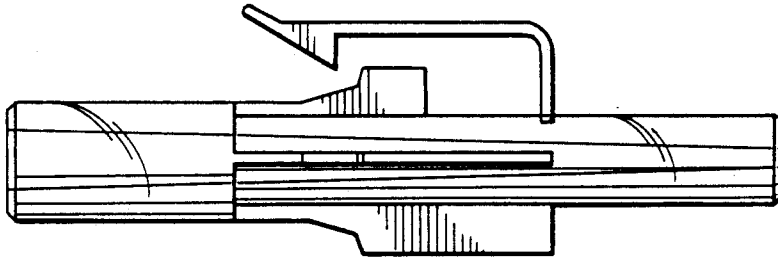


FIG. 7

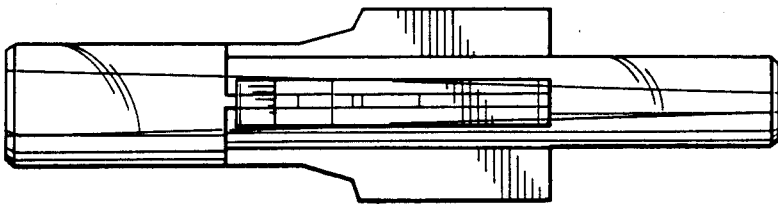


FIG. 8

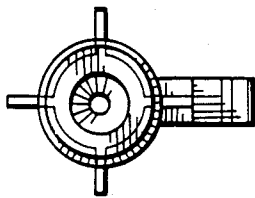


FIG. 9

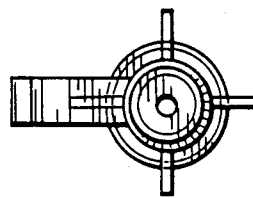


FIG. 10