



US00D850558S

(12) **United States Design Patent**
Fournet

(10) **Patent No.:** **US D850,558 S**

(45) **Date of Patent:** **** Jun. 4, 2019**

(54) **GUN COCKING DEVICE**

5,467,909 A 11/1995 Resca et al.
D365,715 S * 1/1996 Zebbedies D6/552
5,503,276 A 4/1996 Pierce

(Continued)

(71) Applicant: **George J. Fournet**, Youngsville, LA (US)

(72) Inventor: **George J. Fournet**, Youngsville, LA (US)

(**) Term: **15 Years**

(21) Appl. No.: **29/599,211**

(22) Filed: **Mar. 31, 2017**

(51) **LOC (11) Cl.** **22-01**

(52) **U.S. Cl.**
USPC **D22/108**

(58) **Field of Classification Search**
USPC D22/100, 108, 109, 110, 199; D12/114, D12/223, 162, 349; 42/111, 114, 94; D6/552; 102/430; 114/218; 224/192, 224/193, 243, 912, 198, 199, 238, 239, 224/244, 911, 311, 442, 413, 571, 551, 224/521; 89/1.4, 40.01, 40.03, 37.04; 211/66, 64; D8/363, 381, 349, 373, 380, D8/354, 356, 396; 248/309.1, 309.2, 317, 248/274.1, 284.1, 300, 27.1, 200; 280/415.1, 416.1, 507-511, 491.1-491.3; 15/314
CPC F41A 19/00; F41G 11/003
See application file for complete search history.

(56) **References Cited**

U.S. PATENT DOCUMENTS

3,031,069 A 4/1962 Hirsch
3,804,306 A 4/1974 Azurin
4,043,065 A 8/1977 Musgrave
4,055,015 A 10/1977 Musgrave
4,138,044 A 2/1979 Musgrave
4,298,150 A 11/1981 Seldeen
D270,516 S * 9/1983 Achille D8/354
4,823,671 A 4/1989 Buryta

OTHER PUBLICATIONS

Handi-Racker 2—Safest way to rack your pistols, Amazon.com, [online], [site visited Jun. 28, 2018]. <URL: https://www.amazon.com/Handi-Racker-Safest-rack-your-pistols/dp/B01BFMD9PO> (Year: 2018).*

(Continued)

Primary Examiner — T Chase Nelson
Assistant Examiner — Jonathan J. Han
(74) *Attorney, Agent, or Firm* — Greg Mier

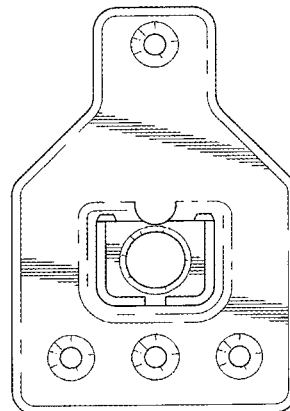
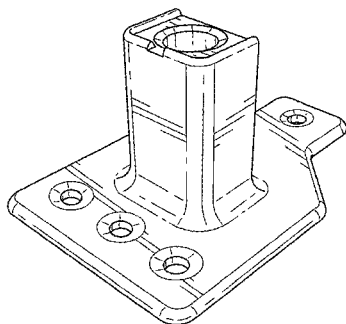
(57) **CLAIM**

The ornament design for a gun cocking device, as shown and described.

DESCRIPTION

FIG. 1 is a perspective view of one embodiment of the gun cocking device showing my new design.
FIG. 2 is a perspective view of one embodiment of the gun cocking device showing my new design.
FIG. 3 is a top view of one embodiment of the gun cocking device showing my new design.
FIG. 4 is a bottom view of one embodiment of the gun cocking device showing my new design.
FIG. 5 is a front view of one embodiment of the gun cocking device showing my new design.
FIG. 6 is a rear view of one embodiment of the gun cocking device showing my new design.
FIG. 7 is a side view of one embodiment of the gun cocking device showing my new design; and,
FIG. 8 is an opposite side view of one embodiment of the gun cocking device showing my new design.
The broken lines in the drawings are used to illustrate unclaimed portions and environment, and form no part of the claimed design.

1 Claim, 4 Drawing Sheets



(56)

References Cited

U.S. PATENT DOCUMENTS

D394,201 S * 5/1998 Newell D14/238
 D397,403 S * 8/1998 Zebbedies D22/100
 6,050,464 A * 4/2000 Ramsey, Sr. F41A 9/61
 206/3
 D428,962 S * 8/2000 Morford D22/108
 D448,717 S * 10/2001 Hanson D12/162
 6,302,502 B1 * 10/2001 Larsen, Jr. A47B 88/43
 211/123
 D464,014 S * 10/2002 Adams D12/223
 6,561,073 B1 5/2003 Hogmoe
 D515,910 S * 2/2006 Gates B60R 9/06
 D8/354
 D555,459 S * 11/2007 Goodwin, III D8/363
 D568,437 S * 5/2008 McBurney D22/108
 D576,701 S * 9/2008 Nichols D22/108
 D579,759 S * 11/2008 Strait D8/349
 7,487,941 B2 * 2/2009 McGinness E04F 11/1804
 248/220.21
 D588,067 S * 3/2009 Seropian D13/152
 7,543,404 B2 6/2009 Kovalchuk et al.
 7,584,861 B2 9/2009 Werner
 D611,558 S * 3/2010 Freeman D22/108
 D619,672 S * 7/2010 Schneider D22/108
 D619,879 S * 7/2010 McCarthy D8/354
 7,866,616 B2 * 1/2011 Wen F16M 11/10
 248/219.1
 7,942,385 B2 * 5/2011 Begin E04F 11/1812
 256/64
 D658,975 S * 5/2012 Cordova D8/354
 8,438,774 B2 * 5/2013 Sharp F41C 33/0281
 42/90
 8,549,785 B2 10/2013 Sharp et al.
 D701,107 S * 3/2014 White D8/354
 8,752,741 B2 6/2014 Stevens

8,857,096 B2 * 10/2014 McClintock F41G 11/003
 42/72
 D730,483 S * 5/2015 Rein, Jr. D22/199
 9,121,662 B1 9/2015 Love
 9,194,636 B2 11/2015 McAninch
 D761,374 S * 7/2016 Ellsworth D22/108
 9,404,696 B2 8/2016 Karimullah et al.
 9,423,209 B1 8/2016 Hoeffken
 D768,755 S * 10/2016 Thomas D16/242
 9,500,439 B1 11/2016 Dietrich et al.
 D773,588 S * 12/2016 Wasankari D22/108
 9,512,961 B2 * 12/2016 Kho F16M 11/00
 9,523,545 B1 12/2016 Weller et al.
 9,531,067 B2 * 12/2016 Huerta H01O 21/0087
 D788,251 S * 5/2017 Sylvester D22/108
 2006/0261112 A1 * 11/2006 Gates B60R 9/06
 224/558
 2007/0132655 A1 * 6/2007 Lin H01Q 1/12
 343/880

OTHER PUBLICATIONS

Pachmayr Slide Rack Assist, Amazon.com, [online], [site visited Jun. 28, 2018]. <URL: https://www.amazon.com/Pachmayr-Slide-Rack-Assist/dp/B077TD5LTP/ref=pd_sbs_200_1?_encoding=UTF8&pd_rd_i=B077TD5> (Year: 2018).
 Cock Bloc Handgun Slide Assist: Gear Review, Range354.com, by Annette Doerr, Sep. 27, 2017, [online], [site visited Jun. 28, 2018]. <URL: <https://www.range365.com/cock-bloc-handgun-slide-assist-review>> (Year: 2017).
 What is the Cock Bloc?, TheCockBloc.com, [online], [site visited Jun. 28, 2018]. <URL: <https://thecockbloc.com/>> (Year: 2018).
 Cock Block Video, YouTube.com, The Cock Bloc, Published on May 3, 2017, [online], [site visited Jun. 28, 2018]. <URL: <https://www.youtube.com/watch?v=68Mt8wHxkl0>> (Year: 2017).*

* cited by examiner

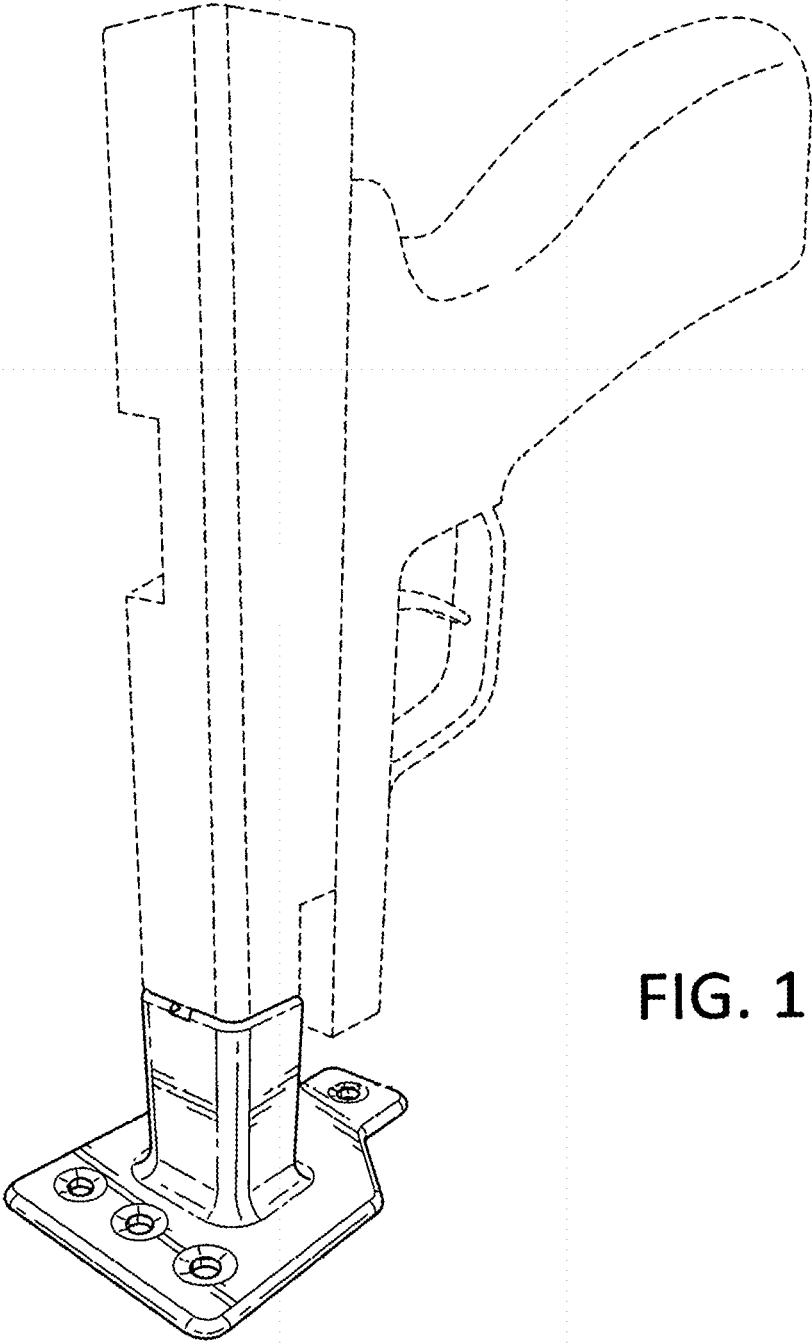


FIG. 1

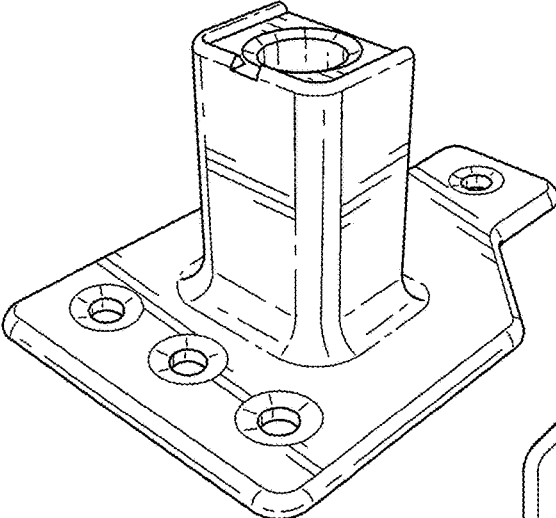


FIG. 2

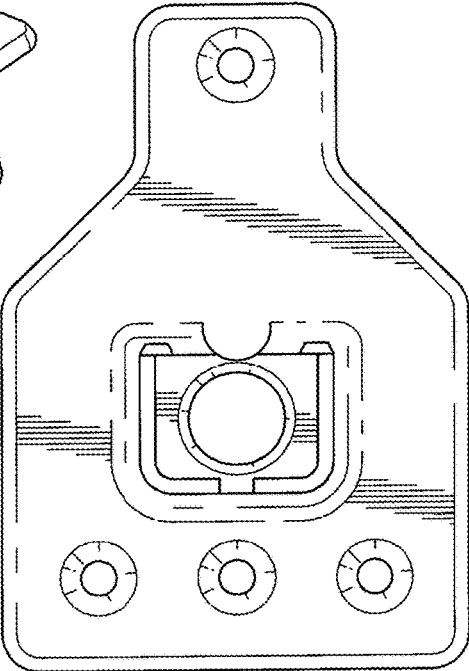


FIG. 3

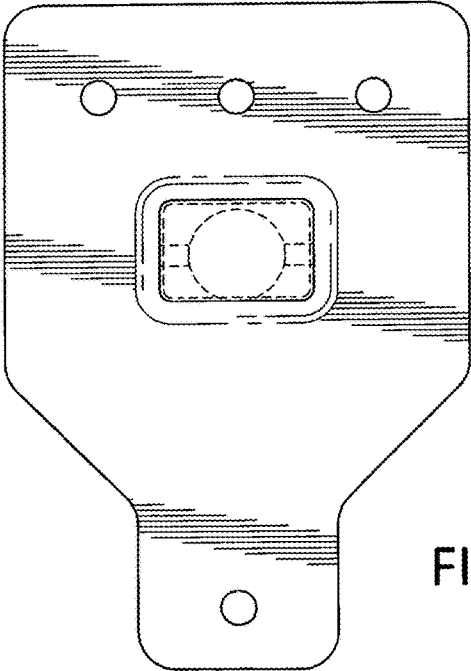


FIG. 4

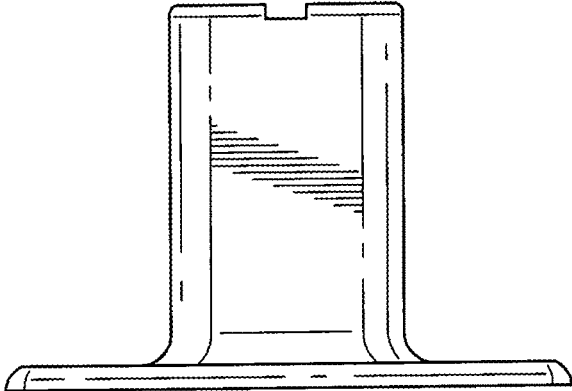


FIG. 5

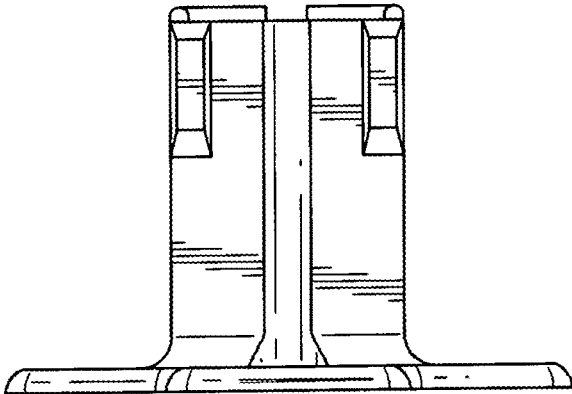


FIG. 6

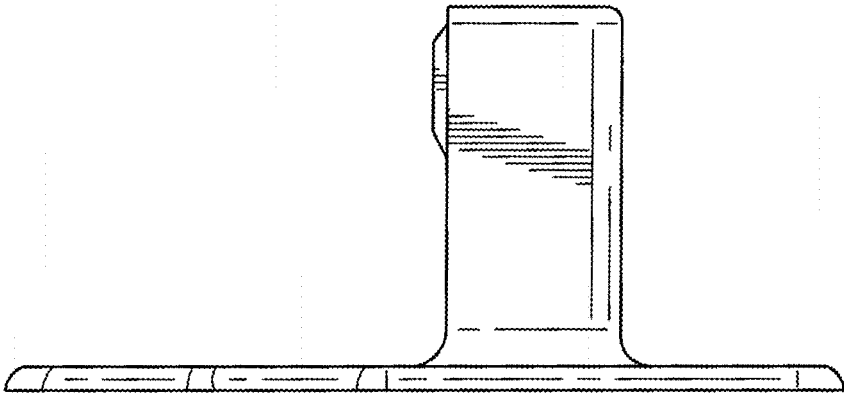


FIG. 7

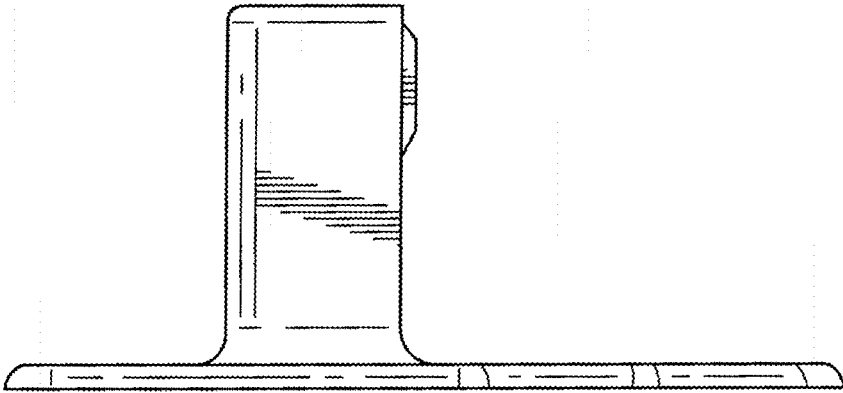


FIG. 8