



US00D510480S

(12) **United States Design Patent** (10) **Patent No.:** **US D510,480 S**  
**McCarter** (45) **Date of Patent:** **\*\* Oct. 11, 2005**

(54) **UTILITY BELT**

*Primary Examiner*—Catherine R. Oliver  
(74) *Attorney, Agent, or Firm*—Pendorf & Cutliff

(76) **Inventor:** **Michael McCarter**, 715 Jasmine Way  
South, St. Petersburg, FL (US) 33705

(57) **CLAIM**

(\*\*) **Term:** **14 Years**

The ornamental design for utility belt, as shown and described.

(21) **Appl. No.:** **29/210,262**

(22) **Filed:** **Jul. 28, 2004**

**DESCRIPTION**

(51) **LOC (8) Cl.** ..... **03-01**

FIG. 1 is a front perspective view thereof;

(52) **U.S. Cl.** ..... **D3/224**

FIG. 2 is a front view thereof;

(58) **Field of Search** ..... D3/224, 226, 215,  
D3/228; 224/920, 904, 901, 918, 682; D2/864

FIG. 3 is a rear view thereof;

FIG. 4 is a left side view of the utility belt in a closed orientation;

(56) **References Cited**

FIG. 5 is a right side view of the utility belt in a closed orientation;

**U.S. PATENT DOCUMENTS**

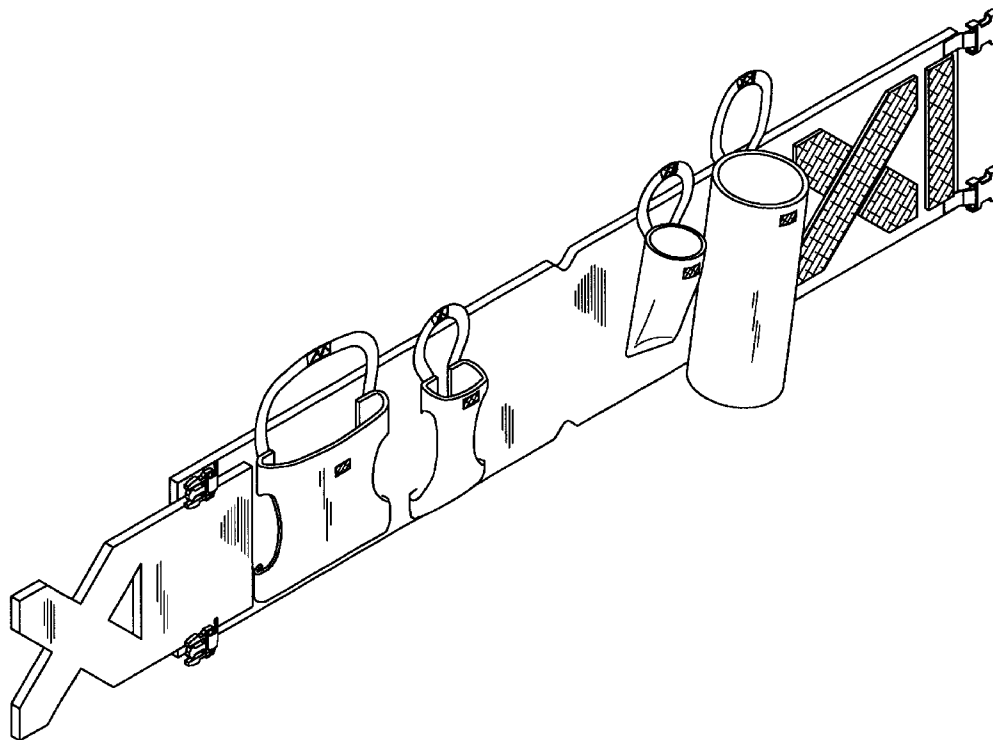
D336,154 S	*	6/1993	Phillips	.....	D3/224
D360,295 S	*	7/1995	Myatt	.....	D3/224
D371,456 S	*	7/1996	Champlin et al.	.....	D3/224
D485,062 S	*	1/2004	Hotz	.....	D3/228

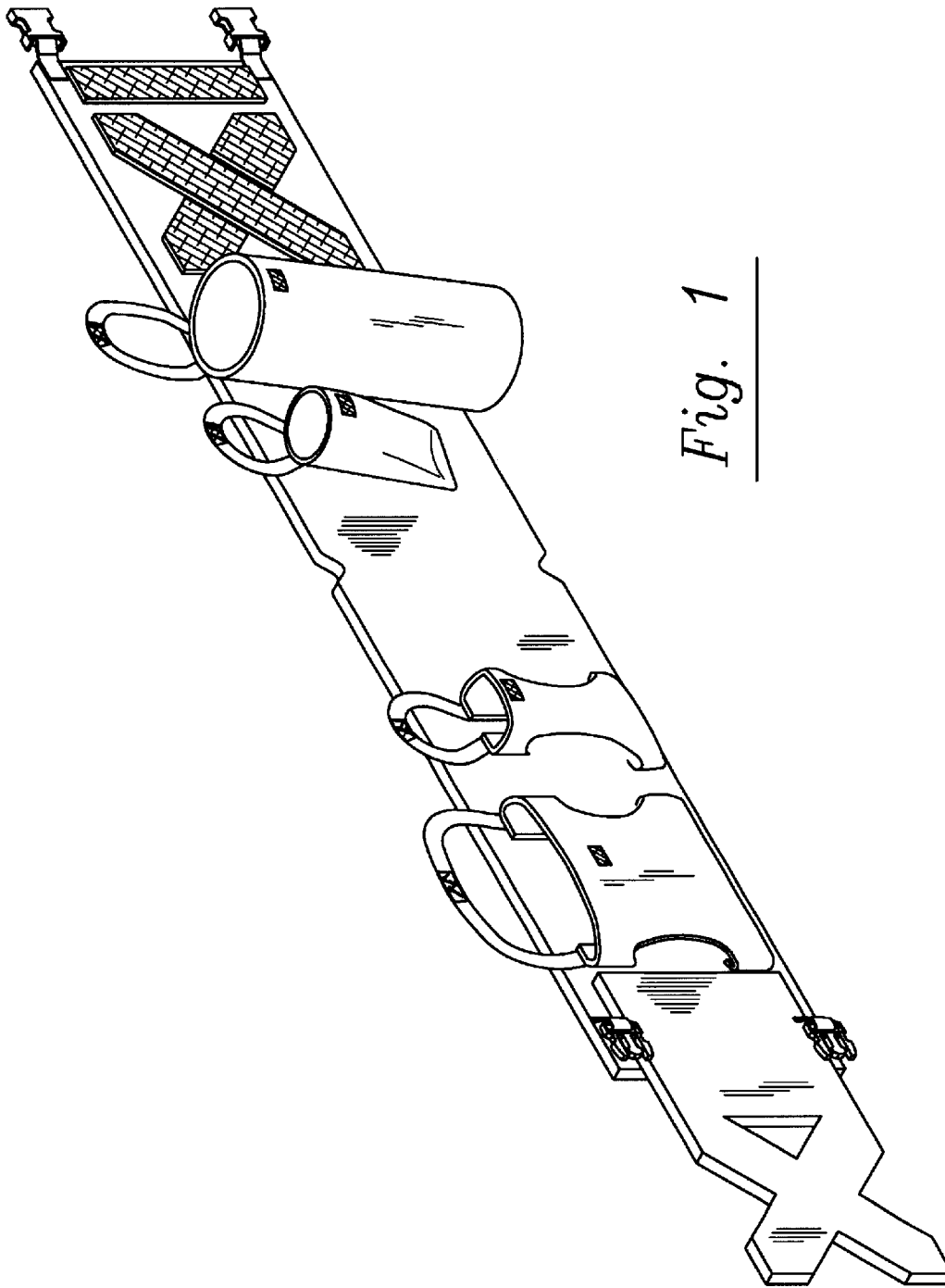
FIG. 6 is a top view thereof; and,

FIG. 7 is bottom view thereof.

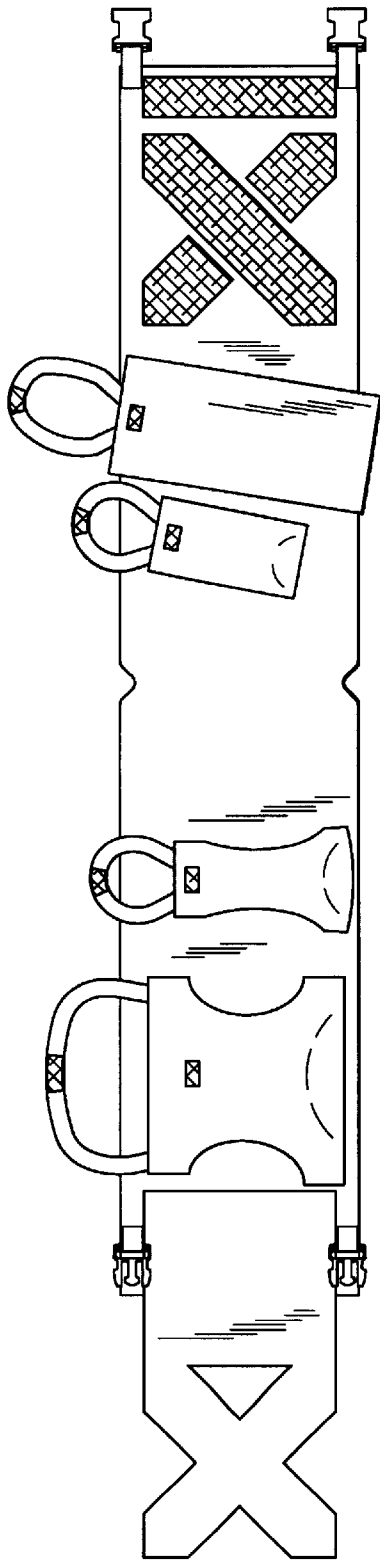
\* cited by examiner

**1 Claim, 3 Drawing Sheets**

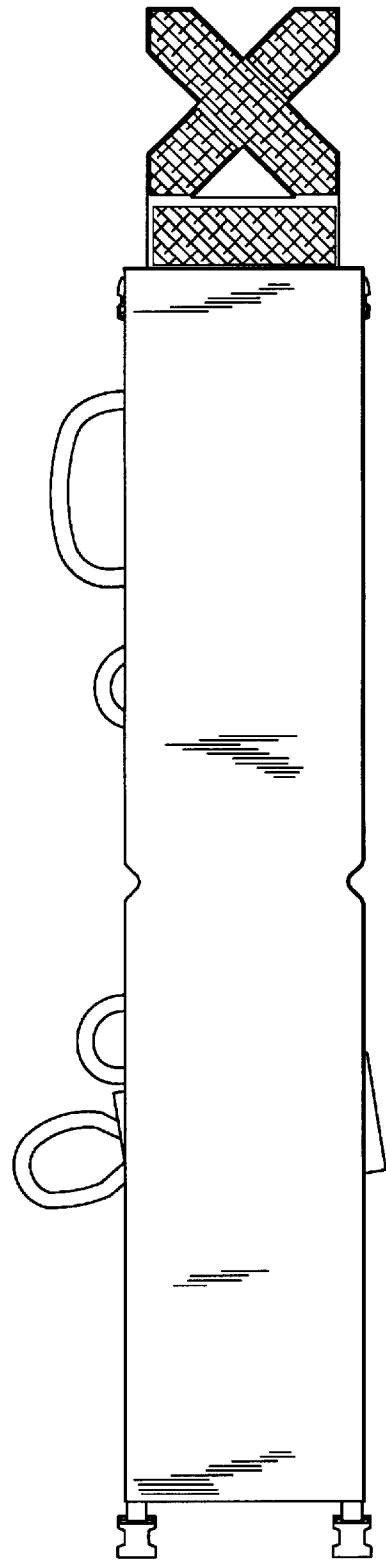




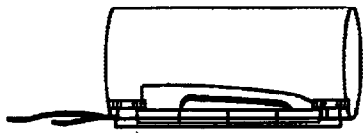
*Fig. 1*



*Fig. 2*



*Fig. 3*



*Fig. 4*



*Fig. 5*



*Fig. 6*



*Fig. 7*