



US00D779462S

(12) **United States Design Patent**
Birger

(10) **Patent No.:** **US D779,462 S**

(45) **Date of Patent:** **** Feb. 21, 2017**

- (54) **HEADSET**
- (71) Applicant: **GN Netcom A/S**, Ballerup (DK)
- (72) Inventor: **Johan Birger**, Malmo (SE)
- (73) Assignee: **GN Netcom A/S** (DK)
- (**) Term: **15 Years**
- (21) Appl. No.: **29/545,363**
- (22) Filed: **Nov. 12, 2015**

Related U.S. Application Data

- (62) Division of application No. 29/478,176, filed on Jan. 1, 2014, now Pat. No. Des. 746,267.

Foreign Application Priority Data

- Jul. 3, 2013 (EM) 002267567-0001

- (51) **LOC (10) Cl.** **14-01**

- (52) **U.S. Cl.** **D14/223**

- (58) **Field of Classification Search**

USPC D14/223, 205; 181/129, 130, 135;
 379/430, 431; 381/380, 381, 370, 371,
 381/374, 376, 379, 382, 384, 328, 329,
 381/386; 455/90.3, 575.1

CPC H04R 1/10; H04R 25/00; H04M 1/00
 See application file for complete search history.

- (56) **References Cited**

U.S. PATENT DOCUMENTS

- 2,136,720 A * 11/1938 White H04R 11/00
 381/151
- D457,513 S * 5/2002 Pirelli D14/205
- D475,996 S * 6/2003 Skulley D14/223
- D480,073 S 9/2003 Jensen et al.

- 6,760,459 B2 * 7/2004 Bae H04R 1/1025
 379/430
- D518,816 S 4/2006 Naito et al.
- D520,497 S 5/2006 Yang
- D528,529 S 9/2006 Rose et al.
- D528,531 S 9/2006 Rose et al.
- D536,692 S 2/2007 Alwicker et al.
- D538,271 S * 3/2007 Kim D14/223
- D538,792 S 3/2007 Kim et al.
- D539,782 S 4/2007 Lee
- D539,787 S * 4/2007 Kim D14/223
- D550,215 S * 9/2007 Udagawa D14/223
- D553,613 S 10/2007 Sade et al.
- D555,151 S 11/2007 Eklund
- D562,310 S 2/2008 Moon et al.
- D564,500 S 3/2008 Wang
- 7,346,180 B2 3/2008 Ham
- D566,103 S 4/2008 Sade et al.
- D568,301 S * 5/2008 Kim D14/205
- D573,582 S 7/2008 Ma
- D573,983 S * 7/2008 Bang D14/223
- D574,366 S 8/2008 Sade et al.
- D582,897 S * 12/2008 Christopher D14/223

(Continued)

Primary Examiner — Paula Greene

(74) *Attorney, Agent, or Firm* — Altera Law Group, LLC

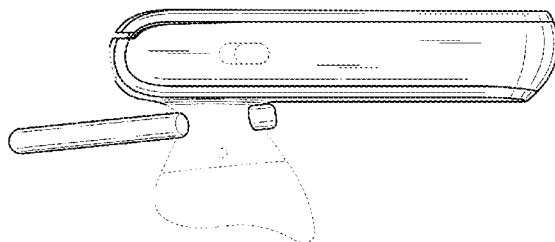
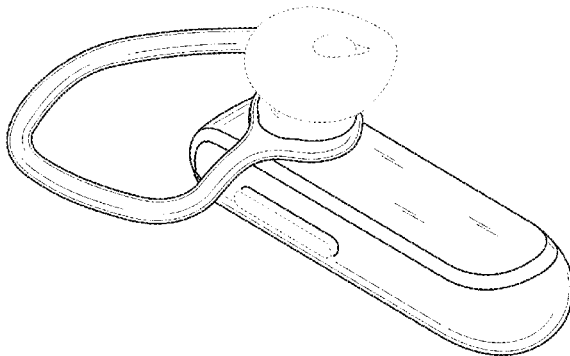
(57) **CLAIM**

The ornamental design for a headset, as shown and described.

DESCRIPTION

FIG. 1 is a perspective view of the headset.
 FIG. 2 is a top view thereof.
 FIG. 3 is a bottom view thereof.
 FIG. 4 is a side view thereof.
 FIG. 5 is the other side view thereof.
 FIG. 6 is a front view thereof; and,
 FIG. 7 is a back view thereof.
 The features shown in broken lines depict environmental subject matter only and form no part of the claimed design.

1 Claim, 5 Drawing Sheets



(56)

References Cited

U.S. PATENT DOCUMENTS

D585,430	S	1/2009	Kim et al.	
D588,113	S	3/2009	Bradford	
D590,377	S *	4/2009	Bradford	D14/223
D590,378	S	4/2009	Bradford	
D590,813	S *	4/2009	Bradford	D14/205
7,609,845	B2	10/2009	Chang	
D603,378	S *	11/2009	Paradise	D14/223
D604,722	S *	11/2009	Mistry	D14/223
7,664,287	B2	2/2010	Neu et al.	
D620,927	S *	8/2010	Li	D14/223
7,778,410	B2	8/2010	Liu et al.	
D629,396	S *	12/2010	Andre	D14/223
D636,381	S	4/2011	Liner	
7,925,037	B2	4/2011	Te Riet	
D640,242	S *	6/2011	Fahrendorff	D14/223
D641,739	S *	7/2011	Huang	D14/223
D643,420	S	8/2011	Huang	
D649,957	S *	12/2011	Fahrendorff	D14/223
8,098,874	B2	1/2012	Lu	
D656,490	S	3/2012	Birger	
8,139,808	B2	3/2012	Liu et al.	
D657,781	S	4/2012	Yang	
D664,950	S	8/2012	Rye et al.	
8,285,208	B2 *	10/2012	Terlizzi	H04M 1/05 379/428.02
D671,096	S	11/2012	Song et al.	
D675,600	S	2/2013	Koch	
D691,120	S	10/2013	Koch	
D693,796	S	11/2013	Birger	
D705,751	S	5/2014	Wenger	
D707,659	S	6/2014	Henning	
D710,830	S	8/2014	Birger	
D746,267	S *	12/2015	Birger	D14/223

* cited by examiner

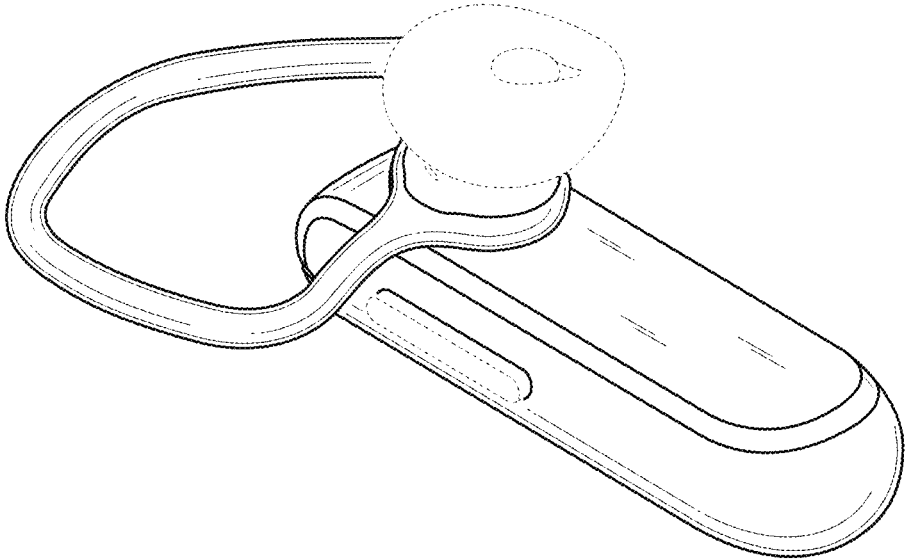


Fig. 1

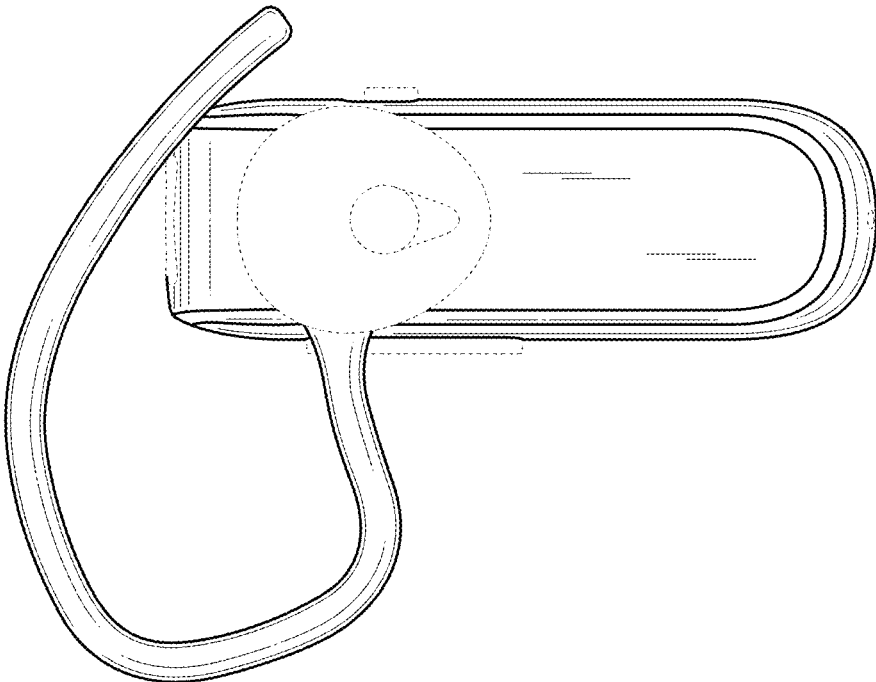


Fig. 2

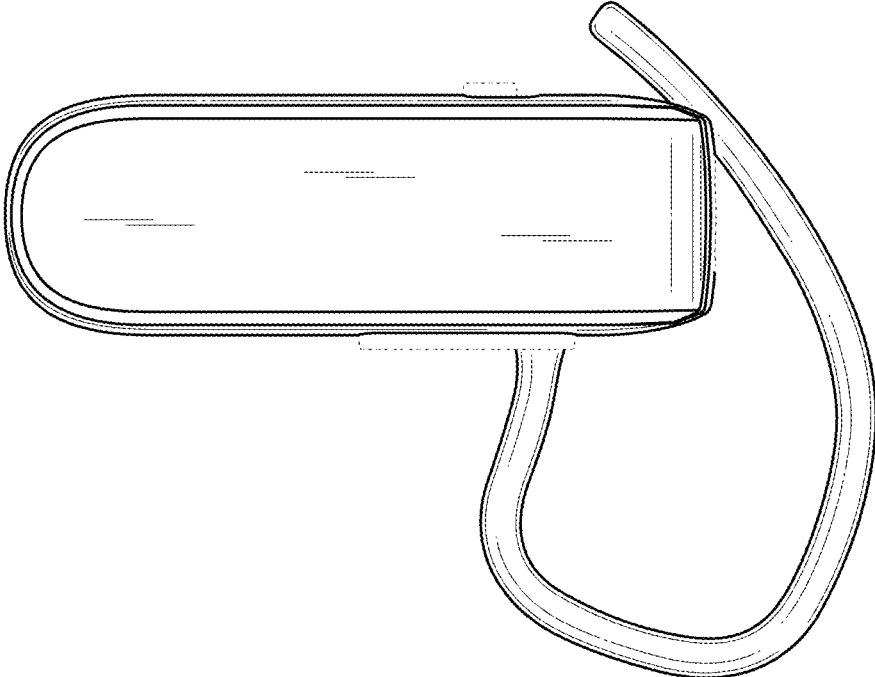


Fig. 3

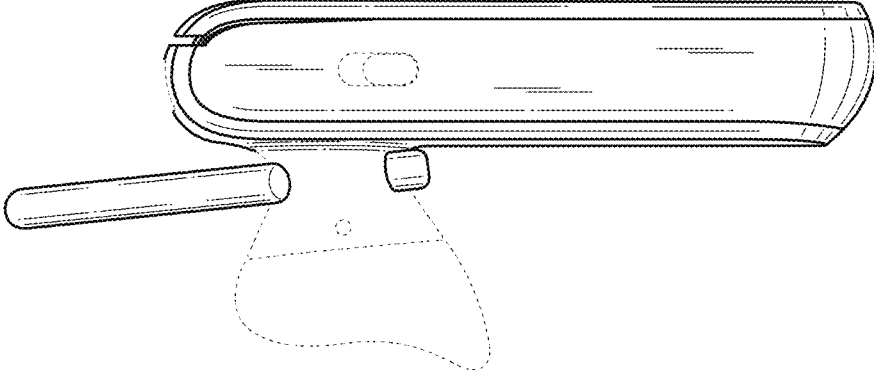


Fig. 4

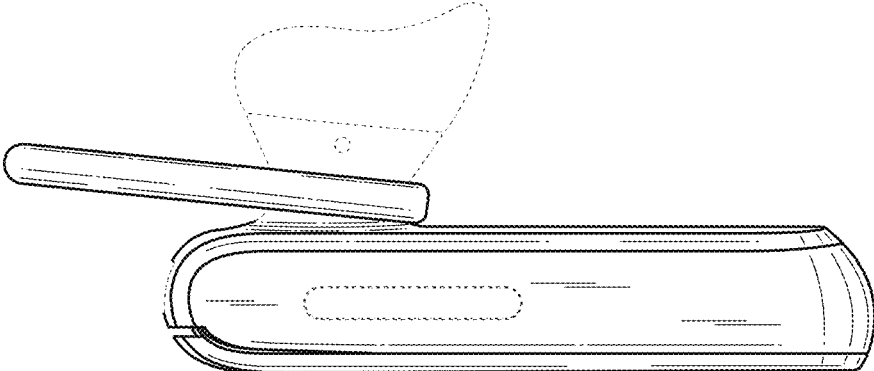


Fig. 5

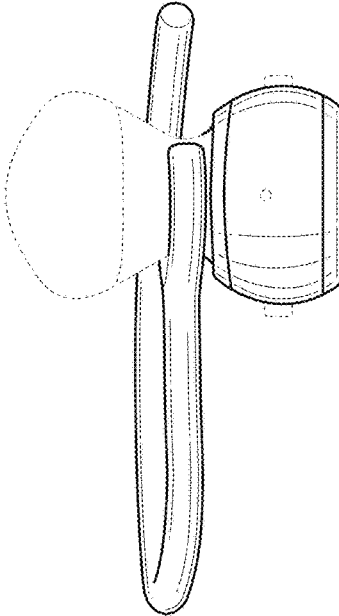


Fig. 6

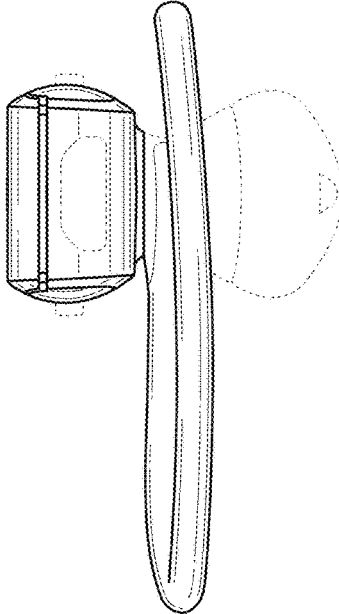


Fig. 7