



US0D1014082S

(12) **United States Design Patent**  
**Tonelli**

(10) **Patent No.:** **US D1,014,082 S**

(45) **Date of Patent:** **\*\* Feb. 13, 2024**

(54) **TRUNK**

(71) Applicant: **G.T. LINE S.R.L.**, Località Crespellano (IT)

(72) Inventor: **Massimo Tonelli**, Bologna (IT)

(73) Assignee: **G.T. LINE S.R.L.**, Località Crespellano (IT)

(\*\*) Term: **15 Years**

(21) Appl. No.: **29/866,604**

(22) Filed: **Sep. 20, 2022**

**Related U.S. Application Data**

(62) Division of application No. 29/728,102, filed on Mar. 16, 2020.

**Foreign Application Priority Data**

Sep. 17, 2019 (EM) ..... 006874590

(51) **LOC (14) Cl.** ..... **03-01**

(52) **U.S. Cl.**  
USPC ..... **D3/276**; D3/905; D3/294

(58) **Field of Classification Search**  
USPC ..... D3/273, 276, 278, 281, 283, 289, 293,  
D3/294, 303, 321, 323, 905, 271.4, 271.3  
CPC ..... B25H 3/02; A45C 3/004; A45C 13/002  
See application file for complete search history.

**References Cited**

**U.S. PATENT DOCUMENTS**

D441,954 S	5/2001	Parker	
D467,424 S *	12/2002	Hardigg	D3/276
D467,425 S *	12/2002	Hardigg	D3/276
D467,426 S *	12/2002	Hardigg	D3/276
D482,529 S	11/2003	Hardigg et al.	
D520,237 S *	5/2006	Cheng	D3/276

D607,207 S	6/2010	Horiyama et al.	
D638,217 S	5/2011	Von Gottberg et al.	
D711,105 S *	8/2014	Brunner	D3/905

(Continued)

**OTHER PUBLICATIONS**

Youtube, "GT 42-09 & GT 42-16 Waterproof Tool Case Models by GT Line", Published Dec. 17, 2020. (<https://www.youtube.com/watch?v=TEgHQxvWVv4>) (Year: 2020).\*

(Continued)

*Primary Examiner* — April Rivas

(74) *Attorney, Agent, or Firm* — CANTOR COLBURN LLP

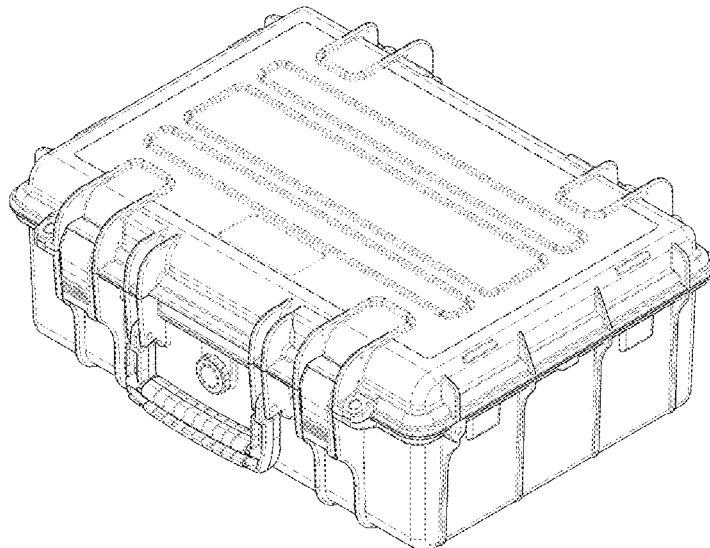
(57) **CLAIM**

I claim, the ornamental design for a trunk, as shown and described.

**DESCRIPTION**

FIG. 1 is a perspective view of a trunk, showing my new design in a first embodiment;  
FIG. 2 is a front view thereof;  
FIG. 3 is a rear view thereof;  
FIG. 4 is a left side view thereof;  
FIG. 5 is a right side view thereof;  
FIG. 6 is a top view thereof;  
FIG. 7 is a bottom view thereof; and  
FIG. 8 is a perspective bottom view thereof;  
FIG. 9 is a perspective view of a trunk, showing my new design in a second embodiment;  
FIG. 10 is a front view thereof;  
FIG. 11 is a rear view thereof;  
FIG. 12 is a left side view thereof;  
FIG. 13 is a right side view thereof;  
FIG. 14 is a top view thereof;  
FIG. 15 is a bottom view thereof; and,  
FIG. 16 is a perspective bottom view thereof.  
The broken lines illustrate portions of the trunk and form no part of the claimed design.

**1 Claim, 16 Drawing Sheets**



(56)

References Cited

U.S. PATENT DOCUMENTS

D727,620	S	*	4/2015	Tonelli	.....	D3/276
D758,729	S		6/2016	Tonelli et al.		
D765,973	S		9/2016	Tonelli et al.		
D779,822	S		2/2017	Grenier et al.		
D815,831	S		4/2018	Tonelli		
D819,331	S	*	6/2018	Ballou	.....	D3/276
D833,743	S		11/2018	Tonelli		
D847,505	S	*	5/2019	Tonelli	.....	D3/262
D849,402	S	*	5/2019	Tonelli	.....	D3/276
D854,826	S		7/2019	Tonelli		
D861,340	S		10/2019	Deng		
D873,007	S		1/2020	Tonelli		
D876,833	S		3/2020	Brunner et al.		
D887,138	S		6/2020	Feng		
D898,357	S		10/2020	Chagnon et al.		
D915,069	S		4/2021	Tonelli		
D920,671	S		6/2021	Brunner et al.		
D932,186	S		10/2021	Brunner et al.		
D950,949	S		5/2022	You		
D981,714	S		3/2023	Tonelli		
D981,715	S	*	3/2023	You	.....	D3/905
2006/0170558	A1		8/2006	Tonelli		
2016/0309863	A1		10/2016	Tonelli et al.		
2016/0309867	A1		10/2016	Oberg		
2019/0037989	A1		2/2019	Tonelli		
2020/0196725	A1		6/2020	Tonelli		

OTHER PUBLICATIONS

Amazon "Stahlwille 13217 TS Jet Tool Trolley" First on sale Oct. 31, 2017; <https://www.amazon.com/Stahlwille-13217-Tool-Trolley-black/dp/B00O91G48Q?th=1>.

GT Line "All.In.One All Polypropylene tool box", Shown Cached from Dec. 12, 2018; [http://www.gtline.com:80/en/products/gt\\_line/118-ALL.IN.ONEAll-Tool\\_chest/](http://www.gtline.com:80/en/products/gt_line/118-ALL.IN.ONEAll-Tool_chest/); [https://web.archive.org/web/20181212200145/http://www.gtline.com:80/en/products/gt\\_line/118-ALL.IN.ONEAll-Tool\\_chest](https://web.archive.org/web/20181212200145/http://www.gtline.com:80/en/products/gt_line/118-ALL.IN.ONEAll-Tool_chest).  
 YouTube "All.In.One Tool Chest by GT Line", Posted Dec. 18, 2014 (<https://www.youtube.com/watch?v=zReKdM5ddK4>).  
 YouTube "Stahlwille 13217 mobile tool chest review with custom foam inserts", Dec. 12, 2016; <https://www.youtube.com/watch?v=XpMXgGOJ6Ms>.  
 Amazon, "Explorer Cases 7814 Hard Gun Case, No Insert (Black)", First on sale Aug. 18, 2021. (<https://www.amazon.com/Explorer-Cases-7814-Insert-Black/dp/B09D293R71>) (Year: 2021).  
 GUNSwEEK, "Explorer Cases: new professional gun cases", Published Mar. 13, 2017. (<https://www.gunweek.com/en/accessories/iwa/explorer-cases-new-professional-gun-cases>) (Year: 2013).  
 Soldier Systems, "Explorer Cases 9433, Hard Case for Complete Loadout", Published Jan. 21, 2021. (<https://soldiersystems.net/2021/01/21/explorer-cases-9433-hard-case-for-complete-loadout/>) (Year: 2021).  
 U.S. Non-Final Office Action for U.S. Appl. No. 29/866,605, dated Apr. 20, 2023, 15 pages.  
 U.S. Non-Final Office Action for U.S. Appl. No. 29/866,606, dated Apr. 21, 2023, 15 pages.  
 U.S. Non-Final Office Action for U.S. Appl. No. 29/866,607, dated Apr. 21, 2023, 15 pages.  
 Urban Survivor Blog, "Explorer Cases 9413 | Review", Published Nov. 12, 2017. (<https://urbansurvivorblog.com/2017/11/11/explorer-cases-9413-review/>) (Year: 2017).

\* cited by examiner

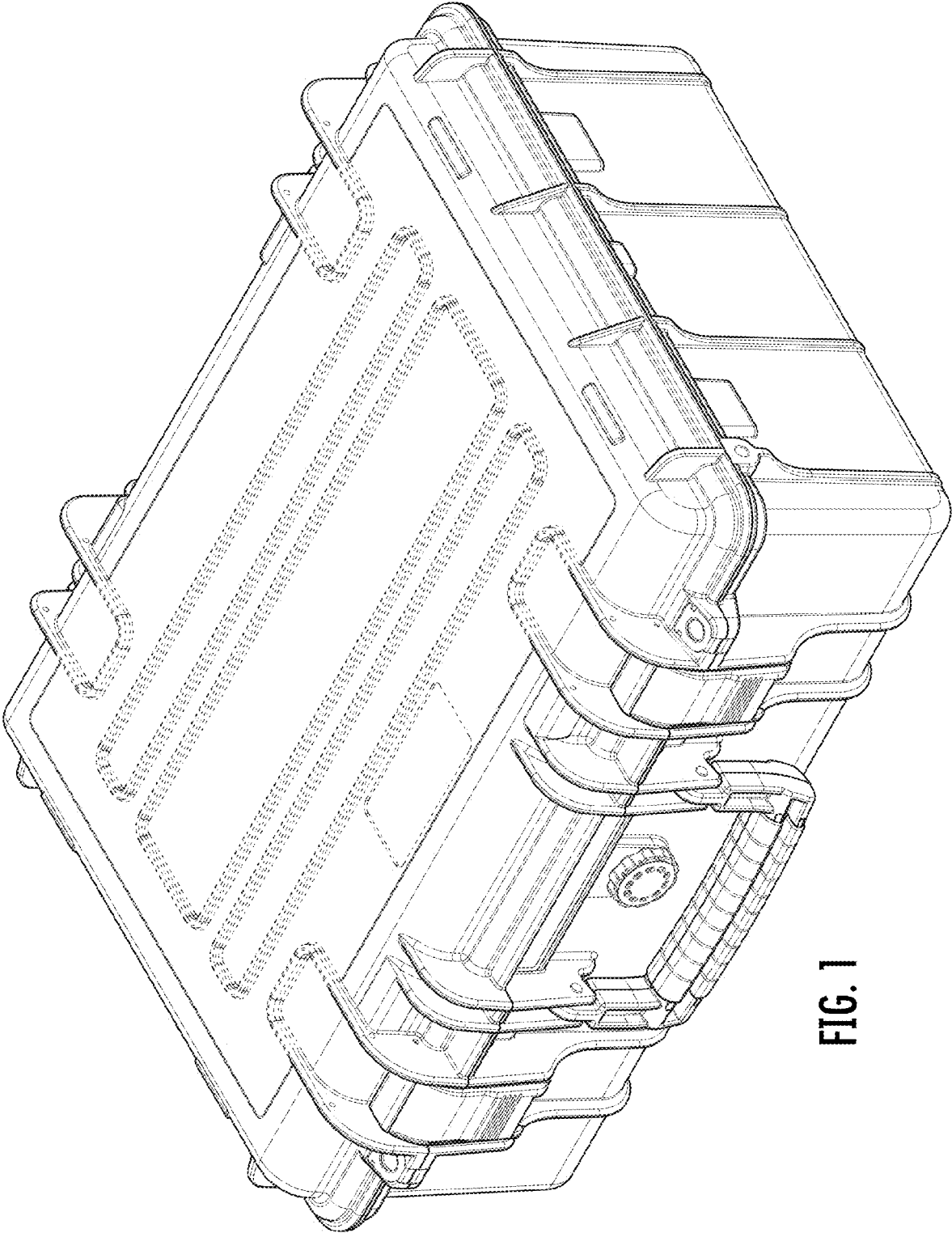


FIG. 1

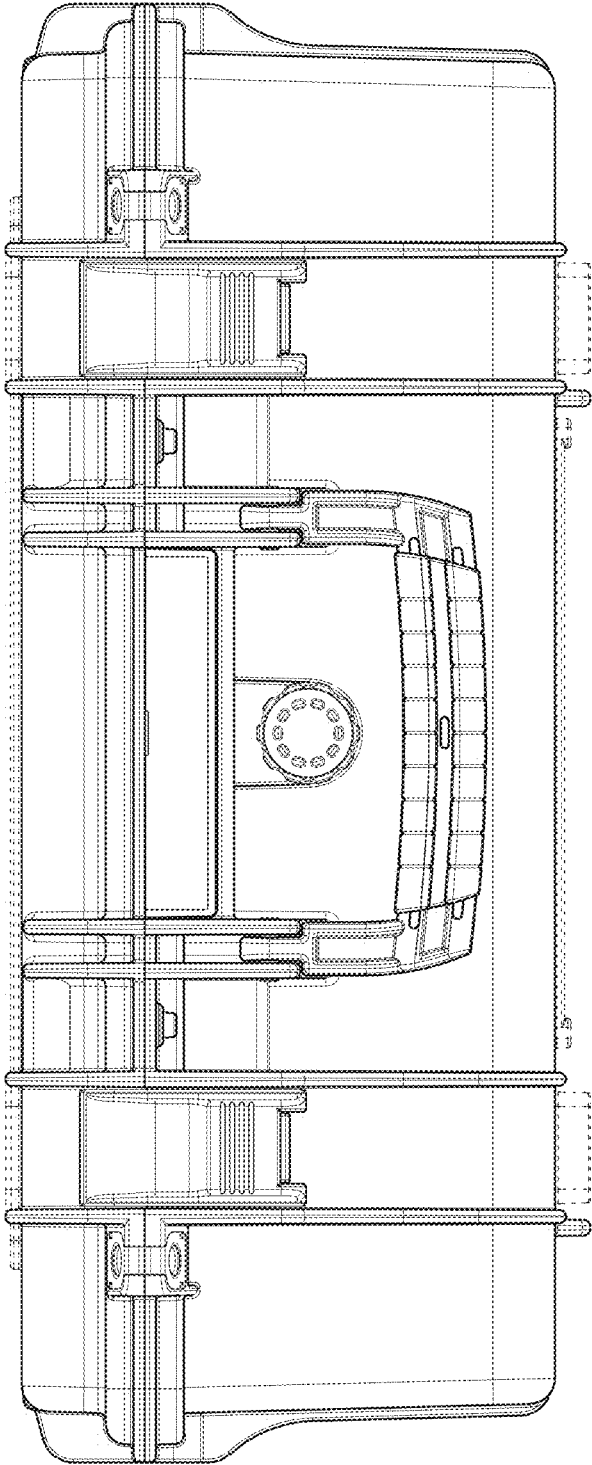


FIG. 2

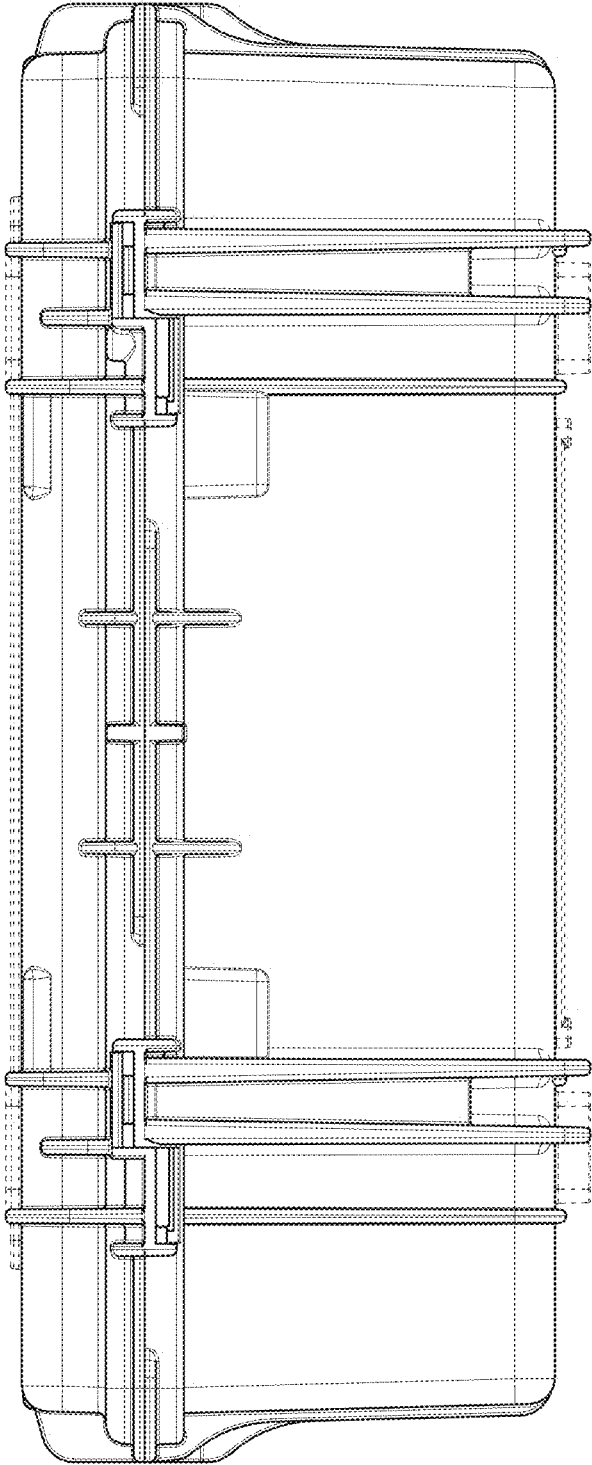


FIG. 3

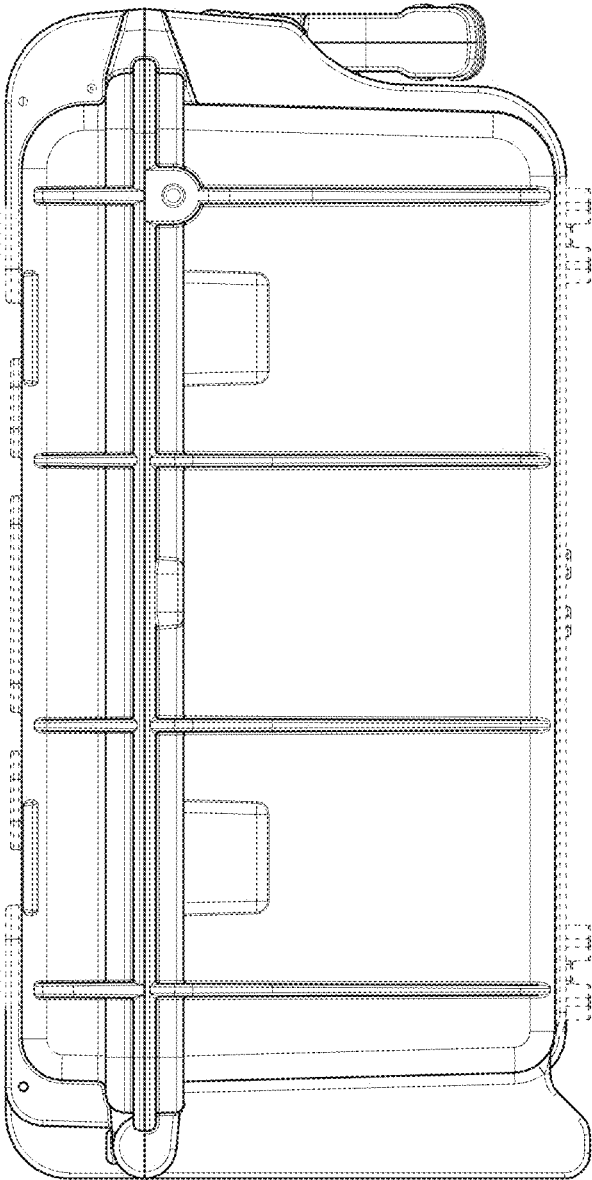


FIG. 4

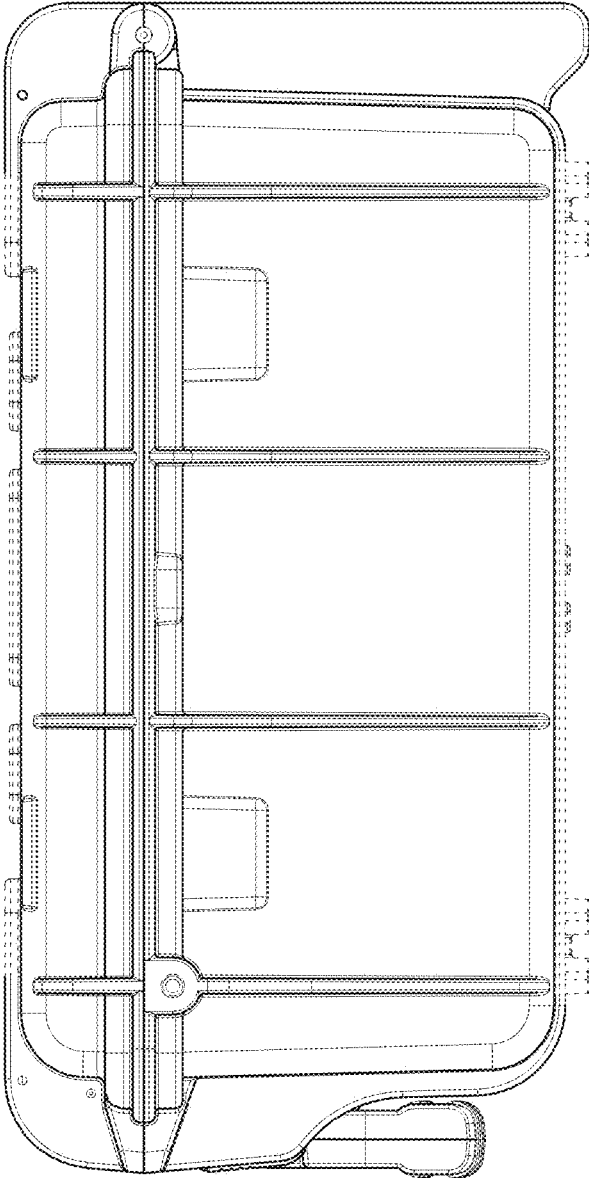
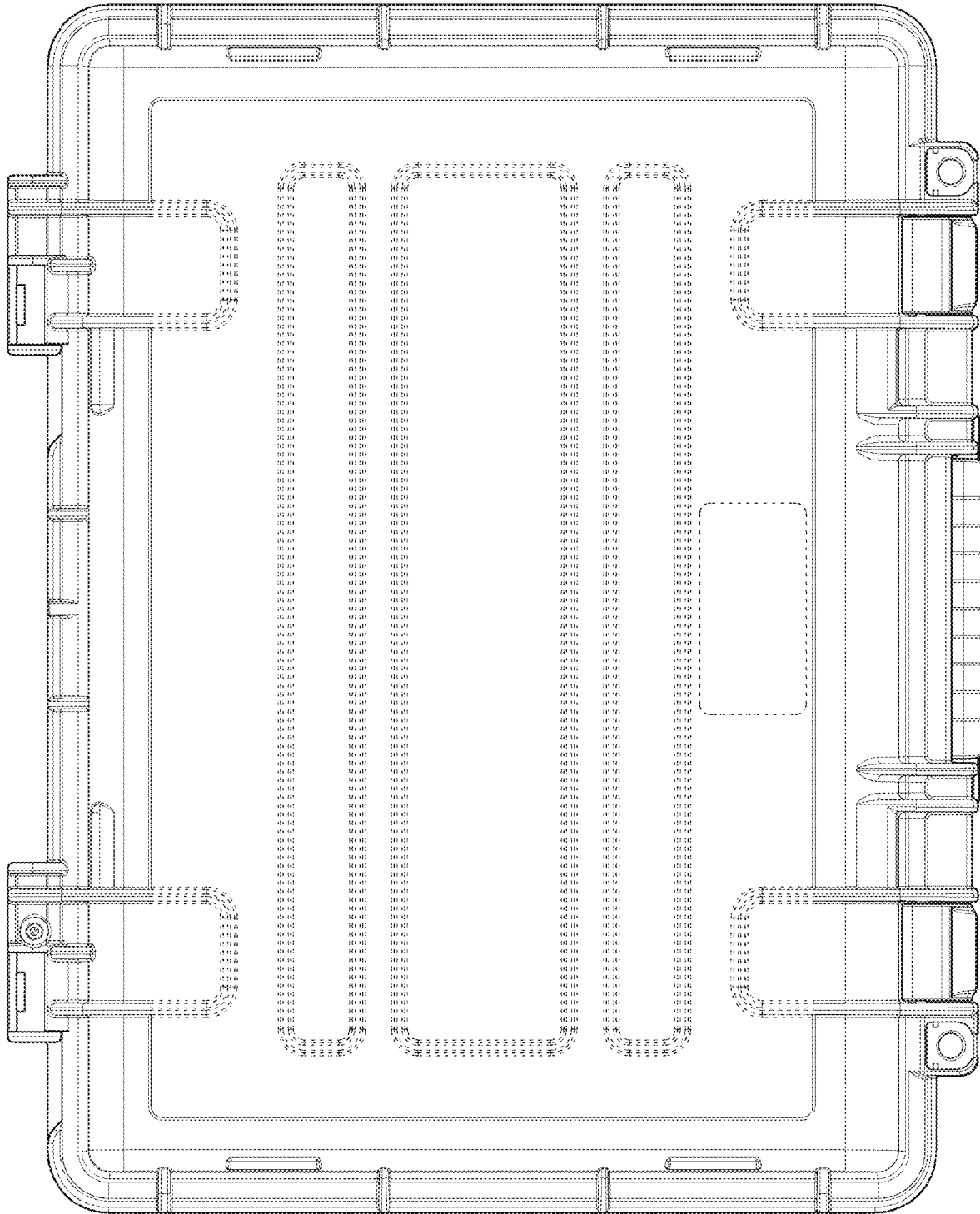


FIG. 5

FIG. 6





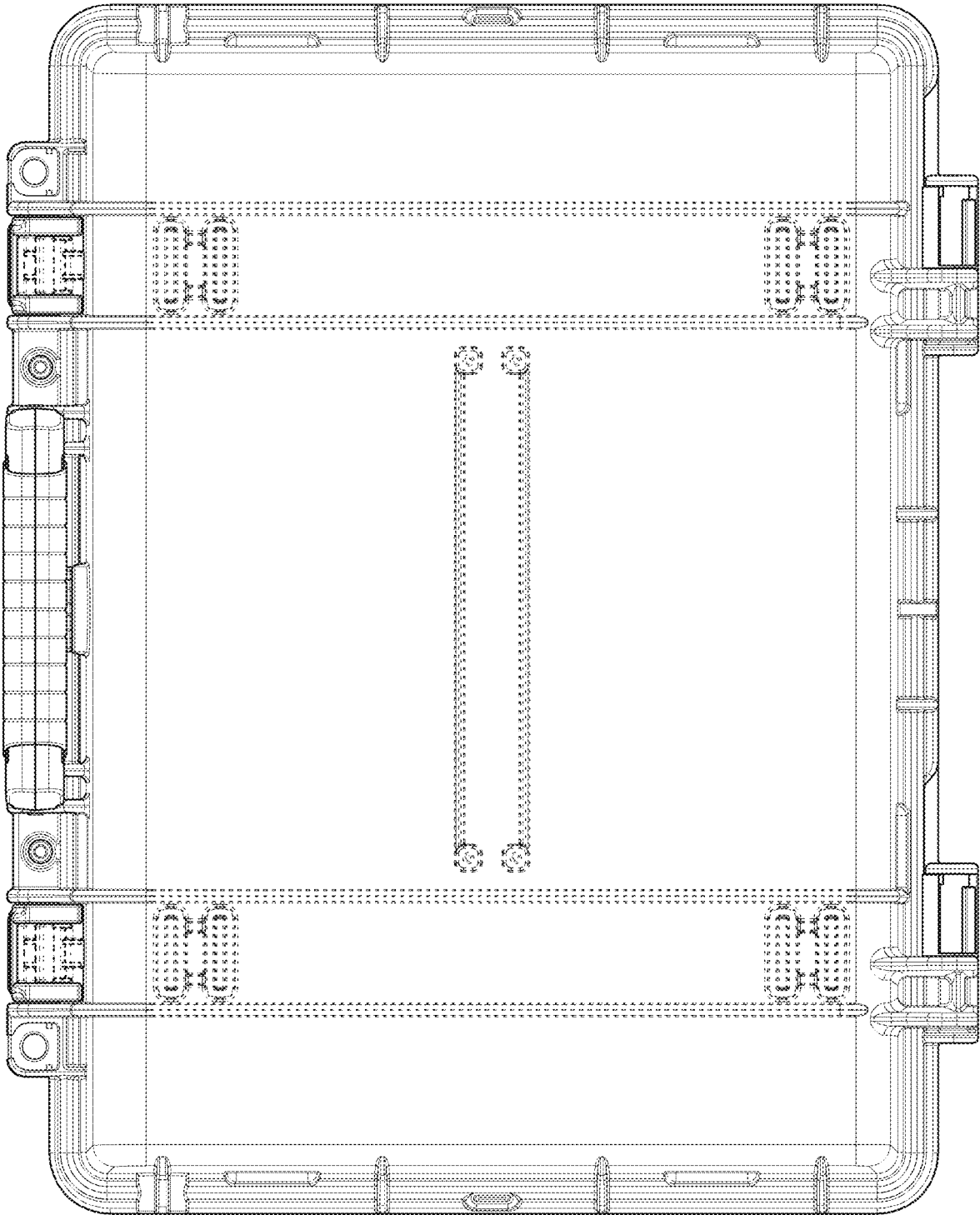


FIG. 7

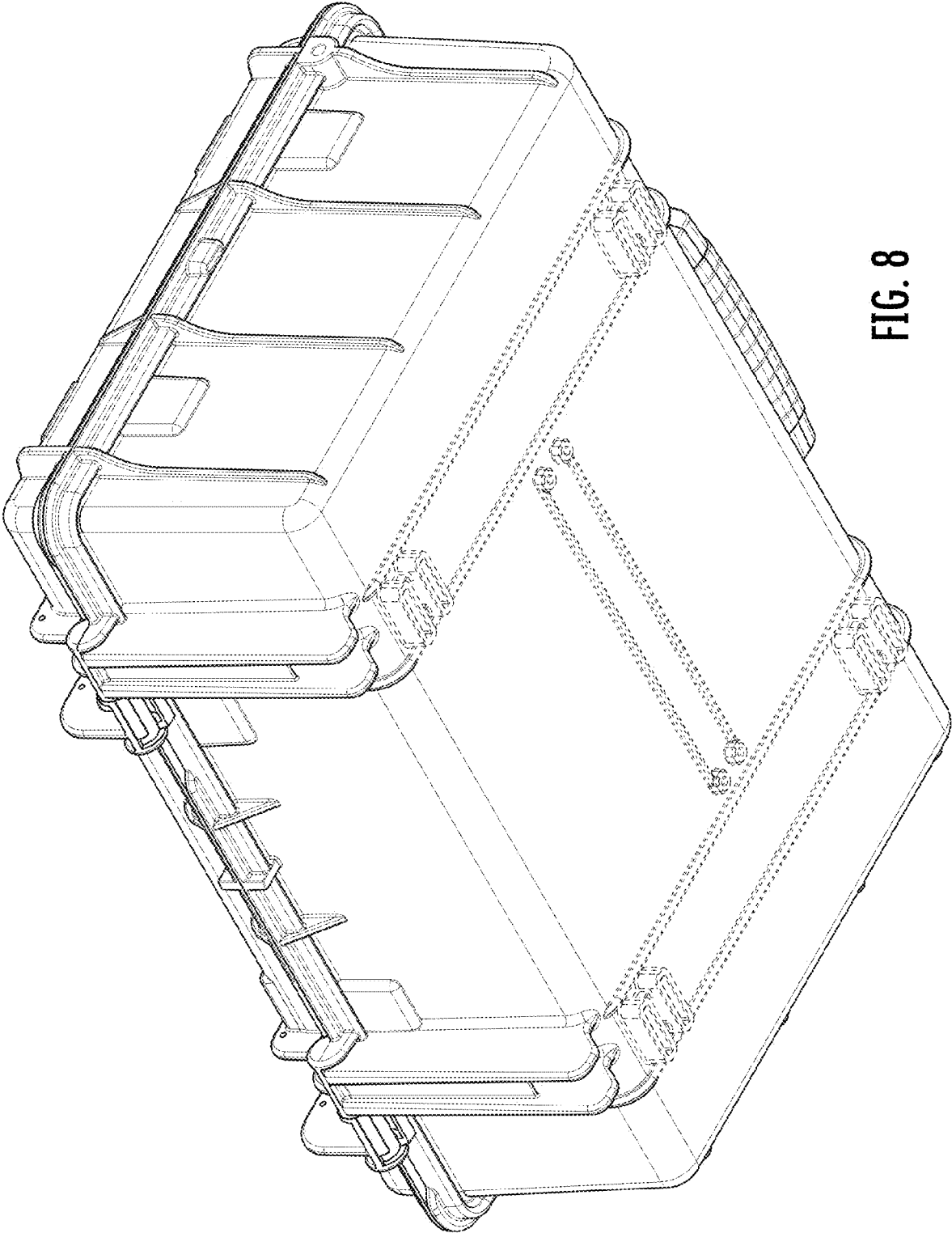


FIG. 8

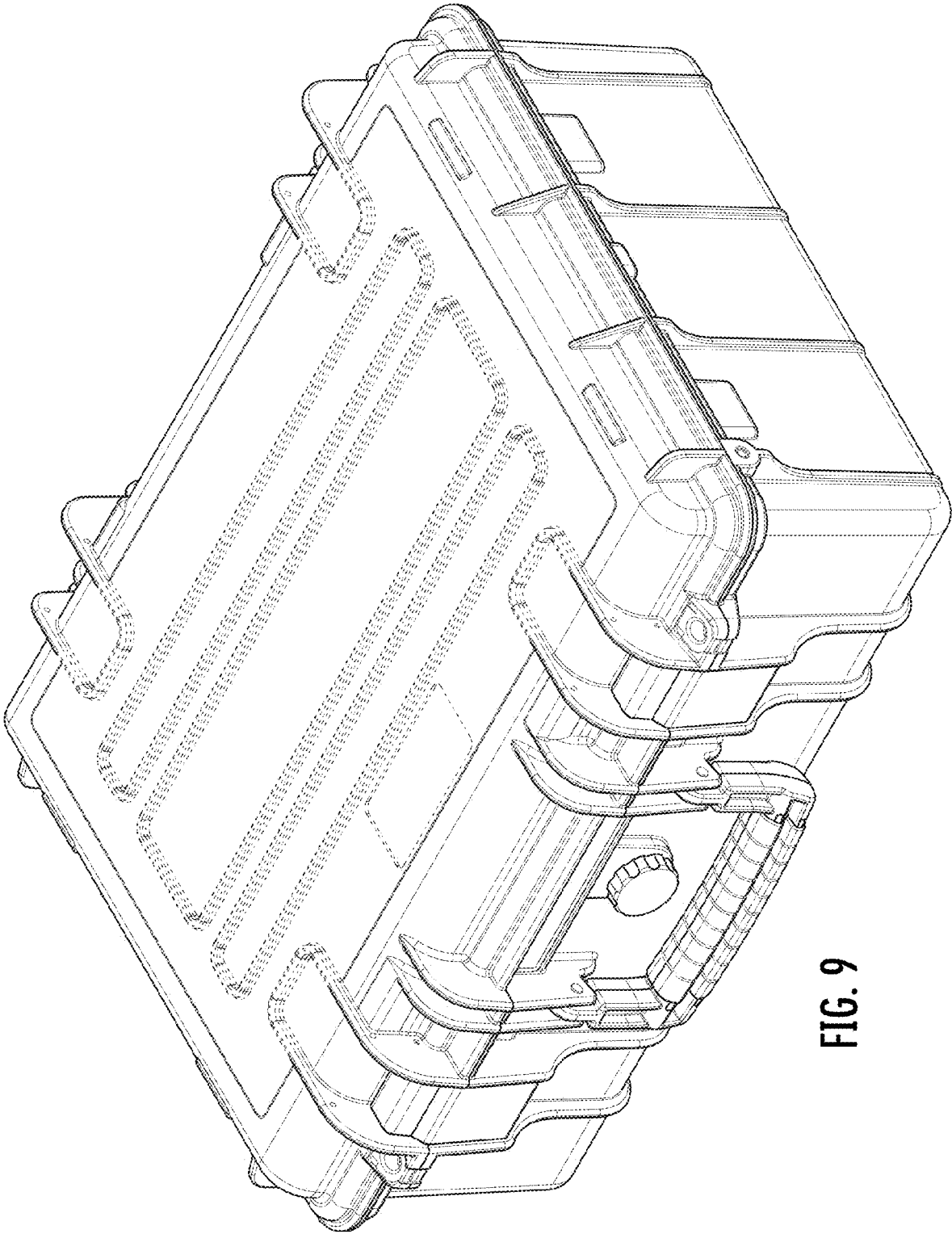


FIG. 9

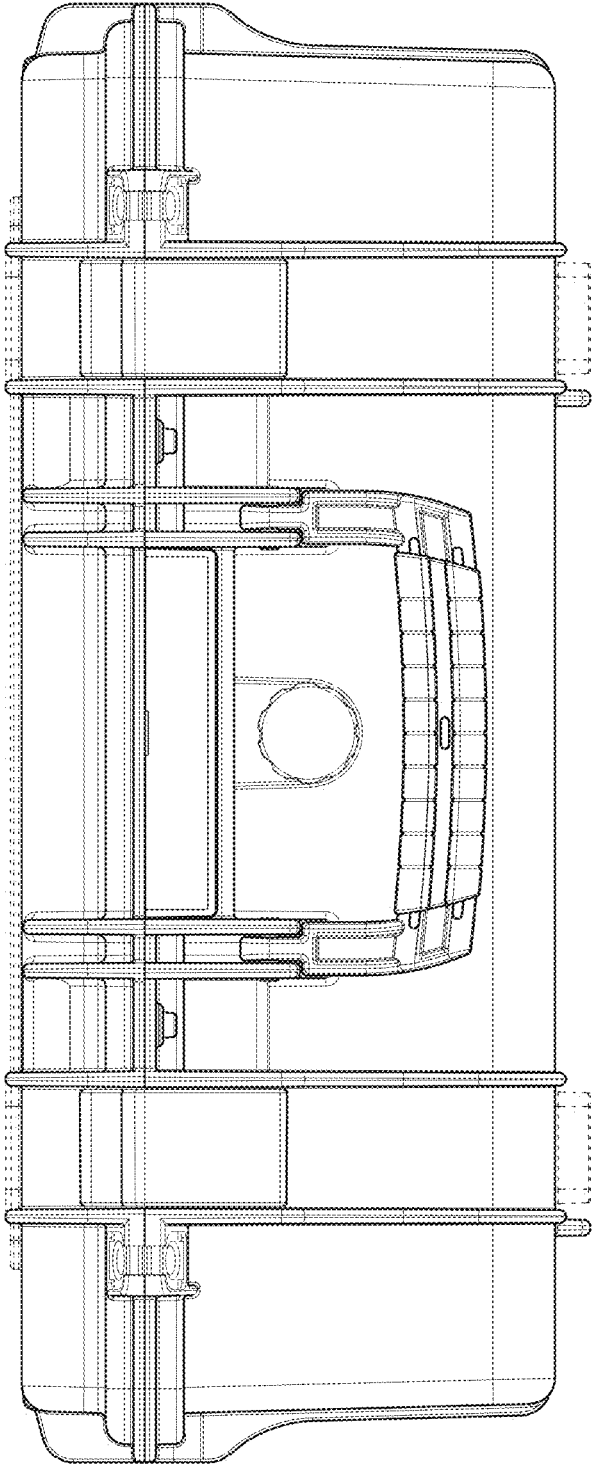


FIG. 10

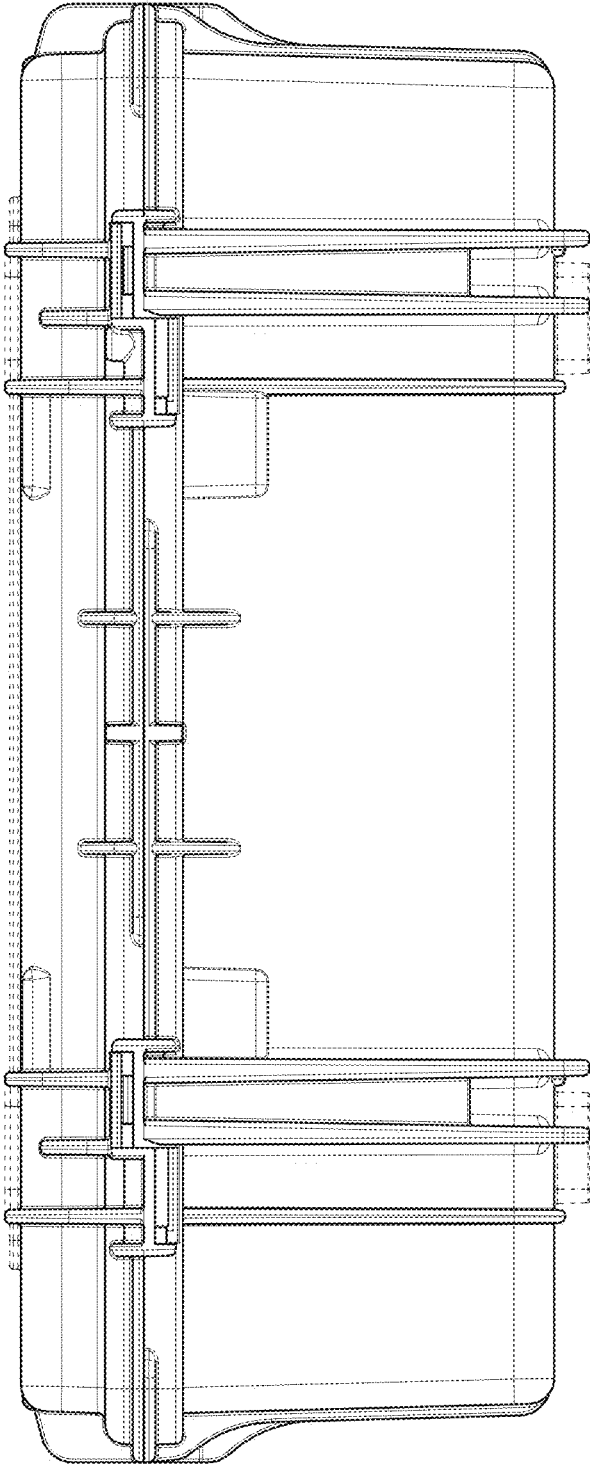


FIG. 11

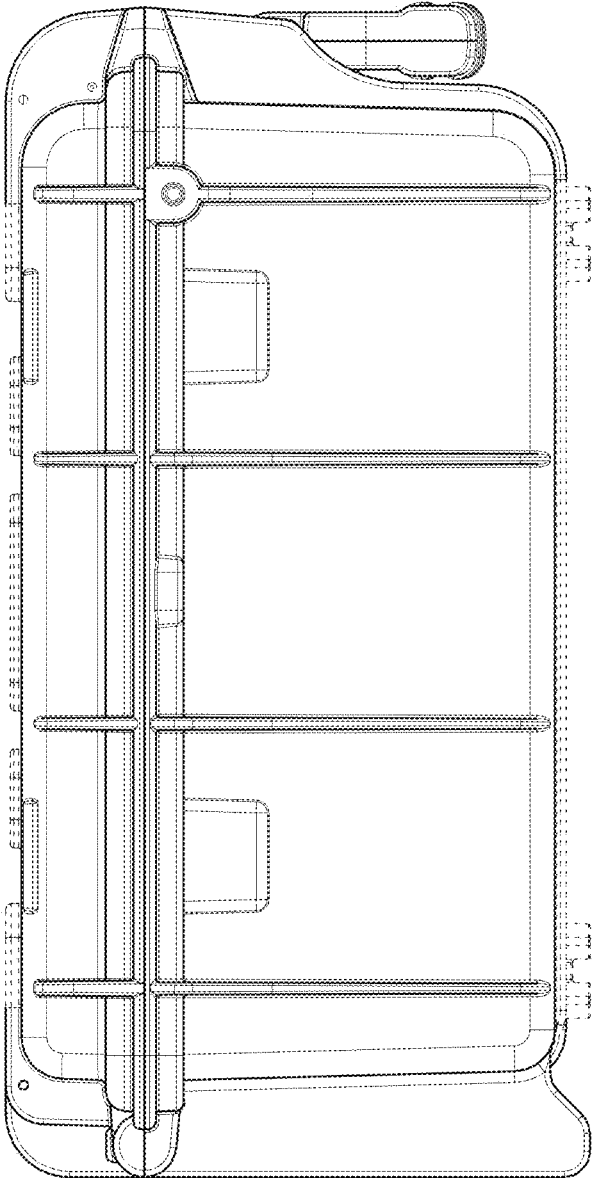


FIG. 12

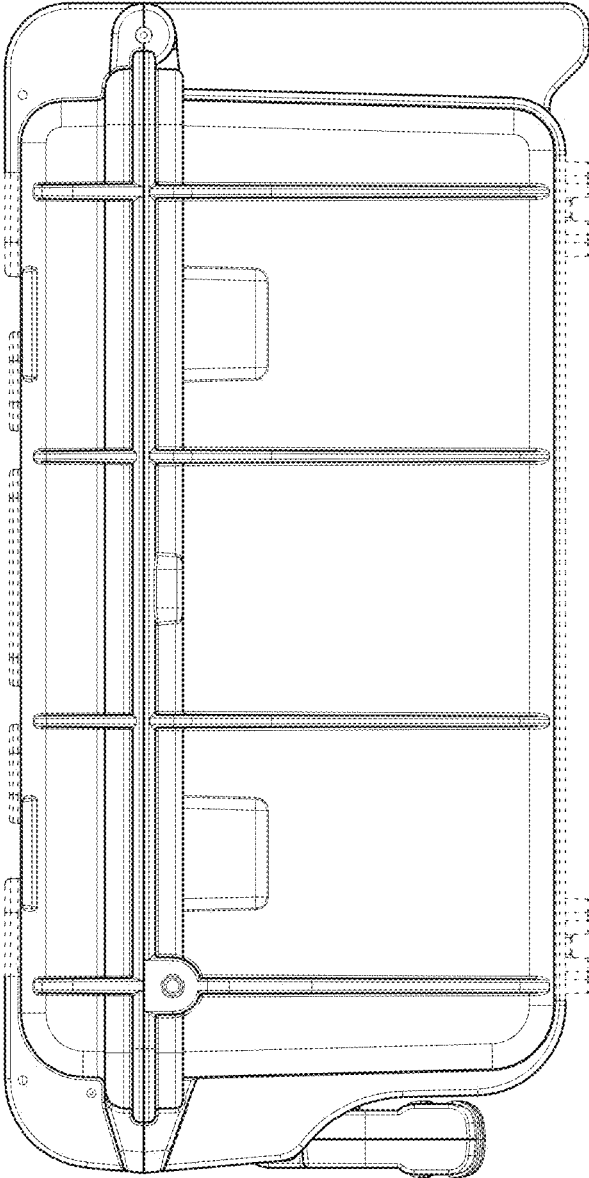


FIG. 13

FIG. 14

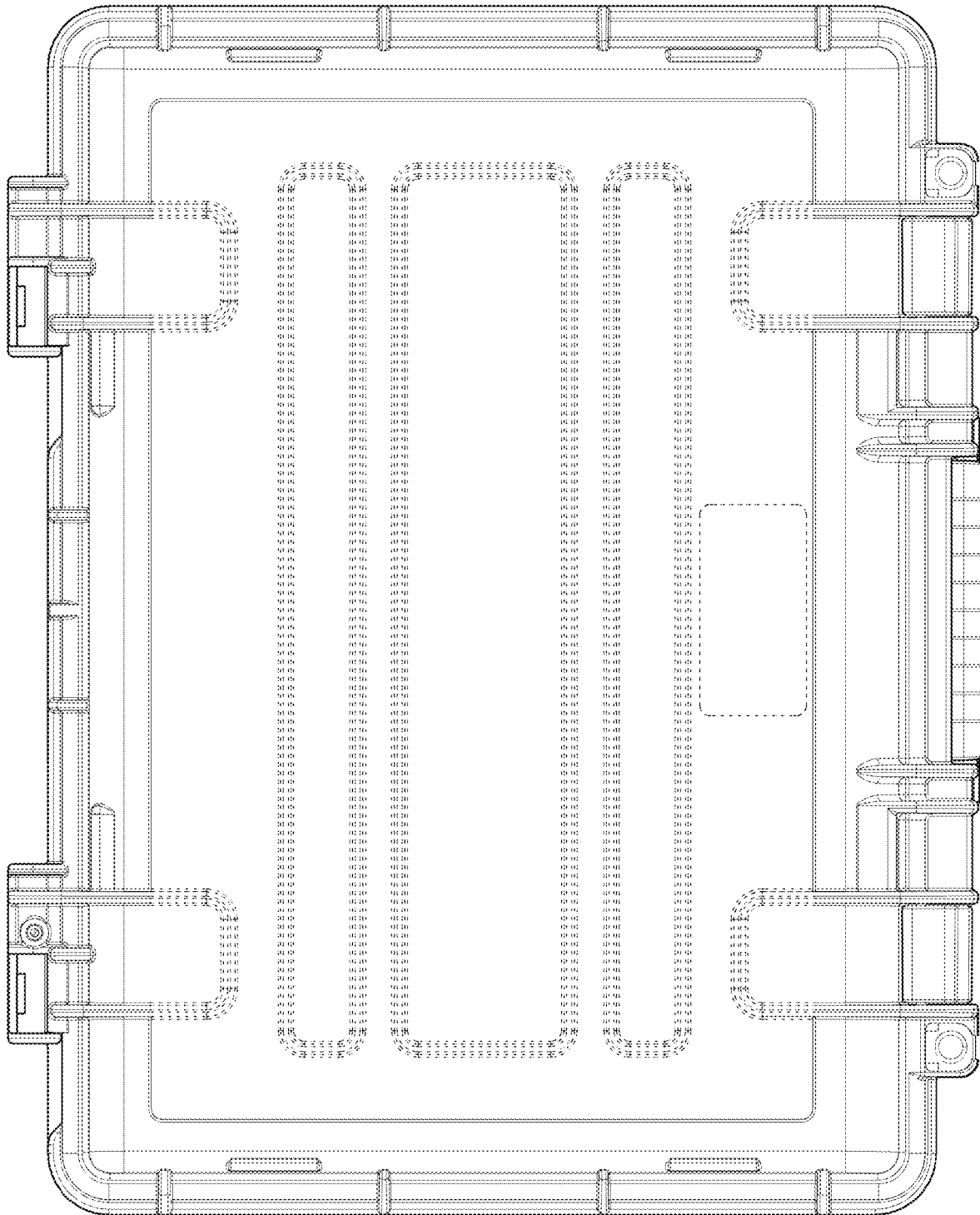
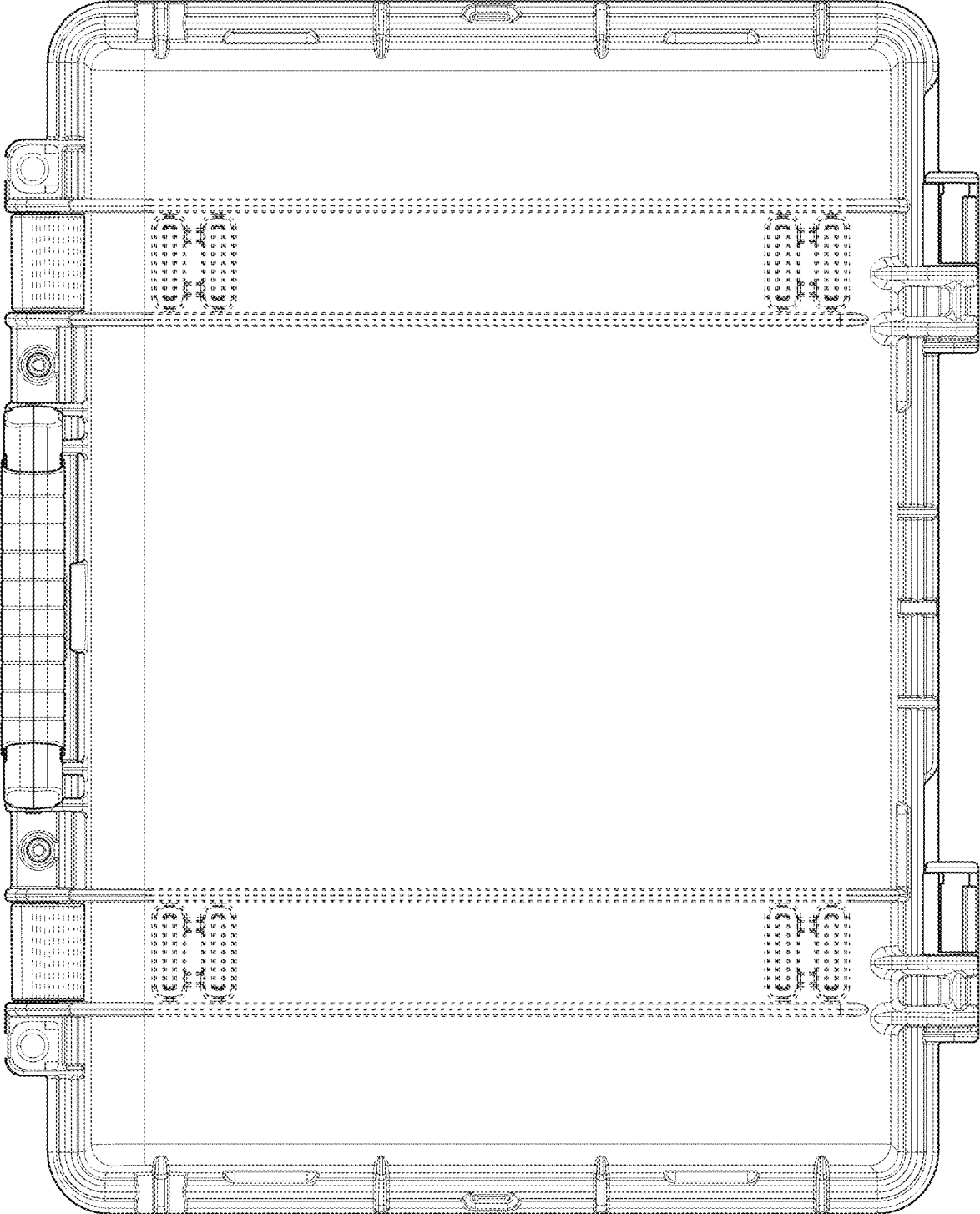




FIG. 15



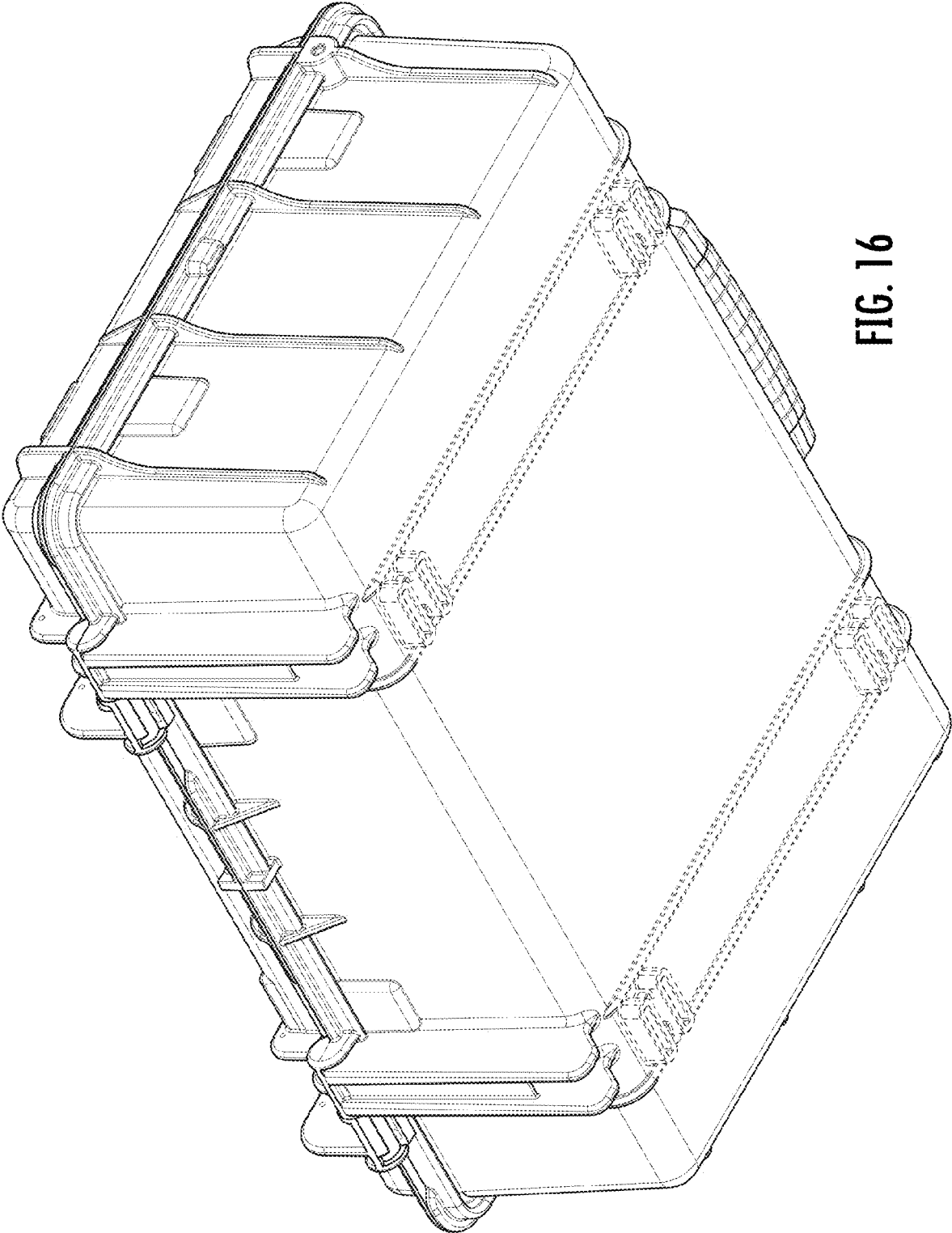


FIG. 16