



US0D1020689S

(12) **United States Design Patent**
Troedson et al.

(10) **Patent No.:** **US D1,020,689 S**

(45) **Date of Patent:** **** Apr. 2, 2024**

- (54) **HEADPHONES**
- (71) Applicant: **Pioneer Square Brands, Inc.**, High Point, NC (US)
- (72) Inventors: **Emelie Elna Victoria Troedson**, Seattle, WA (US); **Kyle Shields**, Kirkland, WA (US); **Brian Lewis Piper**, Seattle, WA (US)

6,654,966 B2 * 12/2003 Rolla H04R 5/0335
D14/206

D502,695 S 3/2005 Suzuki
D548,221 S 8/2007 Huang
D613,266 S * 4/2010 Barry D14/205
D625,703 S * 10/2010 Kolton D14/205
D638,397 S 5/2011 McManigal
D641,725 S 7/2011 Chong et al.

(Continued)

FOREIGN PATENT DOCUMENTS

- (73) Assignee: **Pioneer Square Brands, Inc.**, High Point, NC (US)

EM 009172257-0001 * 9/2022

(**) Term: **15 Years**

OTHER PUBLICATIONS

(21) Appl. No.: **29/919,210**

U.S. Appl. No. 29/663,907, filed Sep. 19, 2018 Michael Cooper Ferren et al (unpublished U.S. Design application not admitted as related but as informative).

(22) Filed: **Dec. 1, 2023**

(51) **LOC (14) Cl.** **14-01**

Primary Examiner — Paula Allen Greene

(52) **U.S. Cl.** **D14/205**
USPC **D14/205**

(74) *Attorney, Agent, or Firm* — Grandview Law

(58) **Field of Classification Search**
USPC D14/205, 206; D29/112; 2/209;
381/380–381, 374; 181/129
CPC H04R 25/00; H04R 25/02; H04R 1/1016;
H04R 1/1066; H04R 1/105; H04R 5/033;
H04R 5/0335; H04R 1/1091; A42B 3/16
See application file for complete search history.

(57) **CLAIM**

The ornamental design for a headphones, as shown and described.

(56) **References Cited**

DESCRIPTION

U.S. PATENT DOCUMENTS

3,488,457 A * 1/1970 Lahti H04R 1/1008
381/376

3,579,640 A * 5/1971 Beguin et al. A61F 11/14
2/209

D254,910 S 5/1980 Lung
D255,569 S 6/1980 Lung
D286,632 S 11/1986 Teunis
4,993,074 A * 2/1991 Carroll H04R 5/033
381/189

D326,855 S 6/1992 Bose et al.
5,862,241 A * 1/1999 Nelson H04R 1/1066
381/374

D459,337 S 6/2002 Mori

FIG. 1 is a front perspective view of headphones showing our new design.

FIG. 2 is a top plan view thereof.

FIG. 3 is a bottom plan view thereof.

FIG. 4 is a front elevational view thereof.

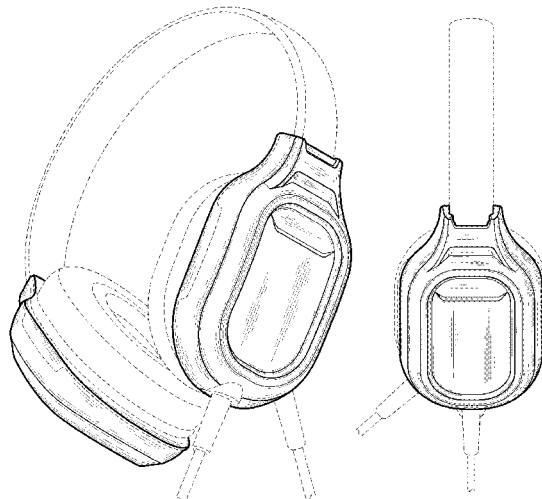
FIG. 5 is a rear elevational view thereof.

FIG. 6 is a left elevational view thereof; and,

FIG. 7 is a right elevational view thereof.

The broken lines immediately adjacent the shaded areas represent the bounds of the claimed design while all other broken lines depict portions of the headphones that form no part of the claimed design.

1 Claim, 7 Drawing Sheets



(56)

References Cited

U.S. PATENT DOCUMENTS

D645,445 S	9/2011	Kolton		D856,967 S *	8/2019	Tang	D14/206
D649,956 S	12/2011	Gresko et al.		D856,969 S *	8/2019	Tang	D14/206
D651,586 S	1/2012	Lee et al.		D857,657 S *	8/2019	Skinner	D14/206
D656,480 S	3/2012	McManigal et al.		D859,355 S *	9/2019	Hu	D14/206
8,139,807 B2 *	3/2012	Reiss	H04R 1/1058 381/375	D864,157 S	10/2019	Hu	
D658,629 S	5/2012	Nomura		D868,028 S	11/2019	Paterson	
D659,672 S	5/2012	Lee et al.		D875,711 S *	2/2020	Long	D14/205
D661,281 S	6/2012	Mahaffy et al.		D876,392 S	2/2020	Zhou	
D666,992 S	9/2012	Lee et al.		D880,450 S *	4/2020	Liu	D14/206
D672,744 S	12/2012	Scarpa		D883,950 S	5/2020	Liu	
D685,762 S	7/2013	Nokuo		D890,129 S *	7/2020	Liu	D14/206
D687,409 S	8/2013	Lee et al.		D890,131 S	7/2020	Shen	
D690,284 S	9/2013	Brennwald		D891,398 S	7/2020	Chen	
D690,680 S	10/2013	McManigal		D907,004 S *	1/2021	Zhou	D14/206
D690,682 S	10/2013	Iacovelli et al.		D909,337 S *	2/2021	Liu	D14/206
D691,107 S	10/2013	Takeno		D910,595 S *	2/2021	Shen	D14/206
D691,111 S *	10/2013	Lee	D14/206	D916,681 S *	4/2021	He	D14/206
D697,048 S	1/2014	Pavitsich		D918,171 S	5/2021	Nakayama et al.	
D697,896 S	1/2014	Lee et al.		D929,364 S	8/2021	Futo	
D712,872 S	9/2014	Yuen		D931,831 S	9/2021	Liu	
D714,756 S	10/2014	Xiang et al.		D935,441 S *	11/2021	Liu	D14/206
D716,256 S *	10/2014	Ang	D14/205	D935,442 S *	11/2021	Liu	D14/206
D717,276 S	11/2014	Zhou		D937,808 S *	12/2021	Liu	D14/206
D717,766 S	11/2014	Mchatet		D940,100 S *	1/2022	Xie	D14/206
D721,053 S	1/2015	Fujioka		D941,802 S *	1/2022	He	D14/206
D722,997 S	2/2015	Lee et al.		D941,803 S *	1/2022	He	D14/206
D727,288 S	4/2015	Yamasaki et al.		D943,548 S	2/2022	Wang	
D729,196 S *	5/2015	Liu	D14/205	D945,394 S	3/2022	Zhu	
D733,677 S *	7/2015	Ling	D14/206	D947,811 S *	4/2022	Chen	D14/206
D737,798 S	9/2015	Yoshimura		D948,475 S *	4/2022	Zhou	D14/206
D739,843 S *	9/2015	Daniel	D14/205	D949,127 S	4/2022	Shen	
D741,286 S	10/2015	Brennwald et al.		D951,909 S *	5/2022	He	D14/206
D752,018 S	3/2016	Gondo		D952,601 S *	5/2022	Chen	D14/206
D757,681 S	5/2016	Kuskin et al.		D953,292 S *	5/2022	Zhang	D14/206
D763,820 S	8/2016	Mchatet		D954,022 S *	6/2022	Chen	D14/206
D772,842 S *	11/2016	Sharp	D14/205	D955,365 S	6/2022	Pugmire et al.	
D780,154 S	2/2017	Jaynes		D962,194 S *	8/2022	Chan	D14/205
D790,504 S	6/2017	Tam		D964,318 S *	9/2022	Chen	D14/206
D800,092 S	10/2017	Paterson et al.		D984,410 S *	4/2023	He	D14/206
D804,456 S	12/2017	Katopis		D991,908 S *	7/2023	Liu	D14/206
D820,813 S *	6/2018	Sharp	D14/206	D1,001,095 S *	10/2023	Guerena	D14/206
D829,686 S	10/2018	Davi et al.		D1,006,785 S *	12/2023	Zhao	D14/206
D840,370 S	2/2019	Kelly et al.		2009/0238397 A1 *	9/2009	Reiss	H04R 1/1058 381/375
D840,974 S	2/2019	Ferren et al.		2011/0194721 A1 *	8/2011	Schmidt	H04M 1/05 381/370
D843,349 S	3/2019	Burgess et al.		2014/0254854 A1 *	9/2014	Blonder	H04R 1/1066 381/371
D843,970 S	3/2019	Ferren et al.		2016/0216943 A1 *	7/2016	Wolti	H04R 5/033
D847,781 S *	5/2019	Chen	D14/206				

* cited by examiner

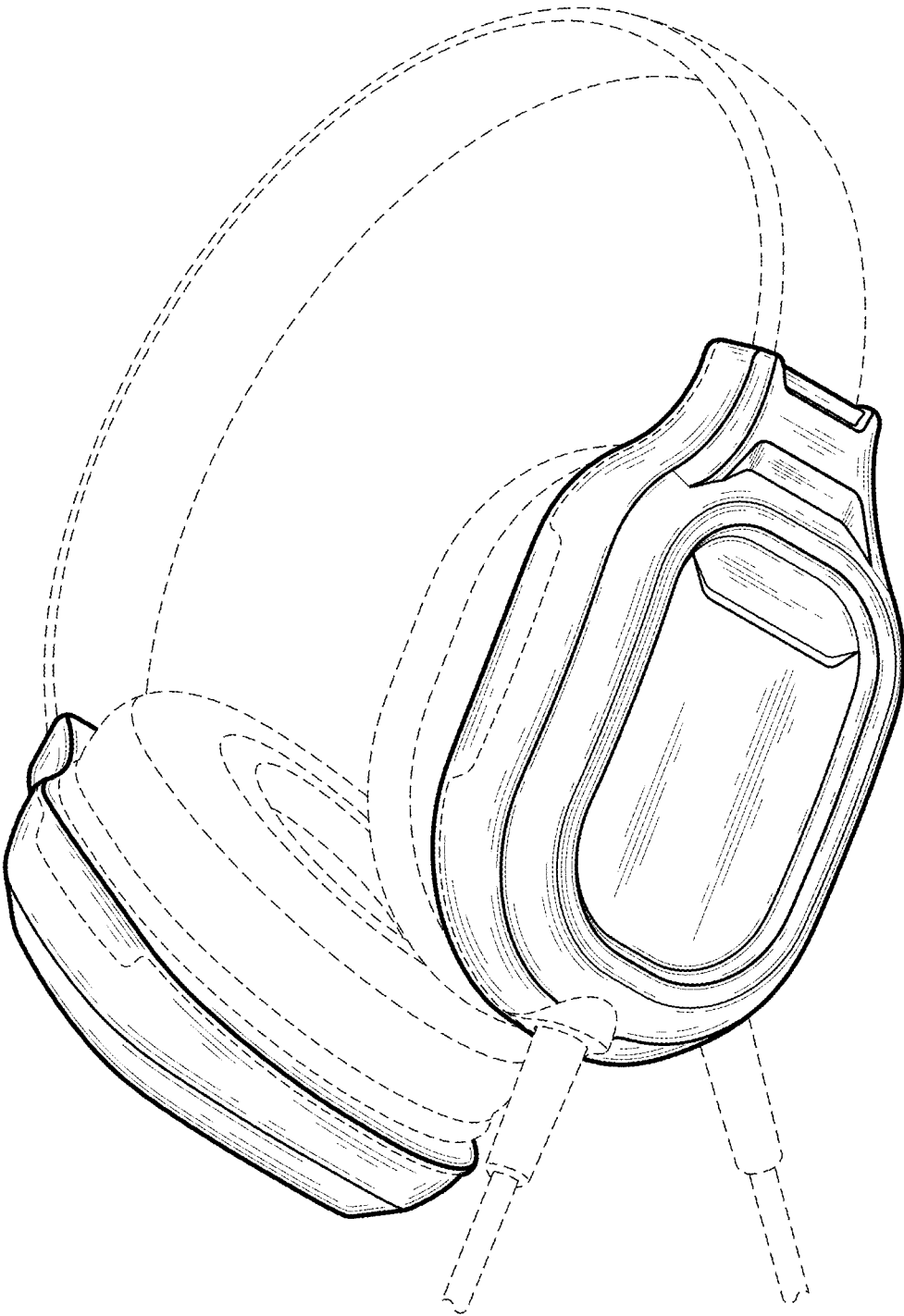


Fig. 1

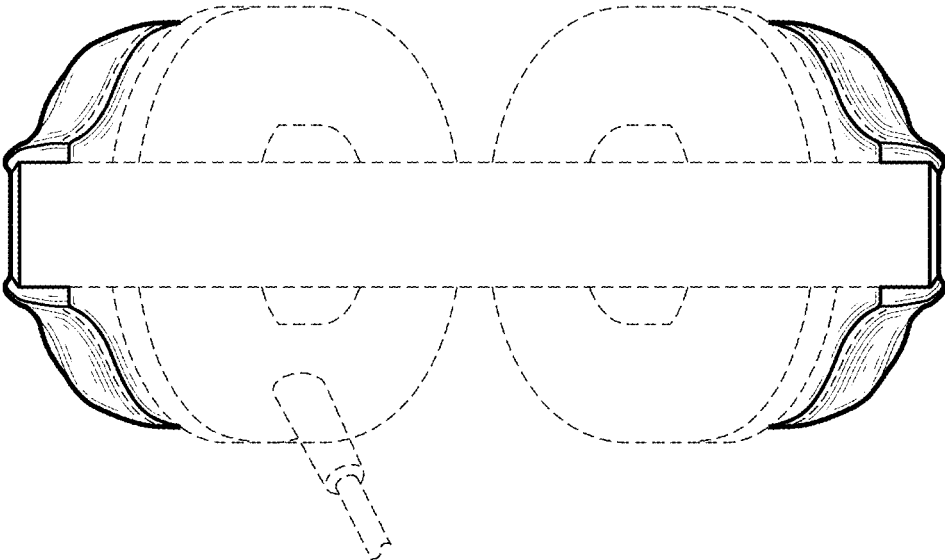


Fig. 2

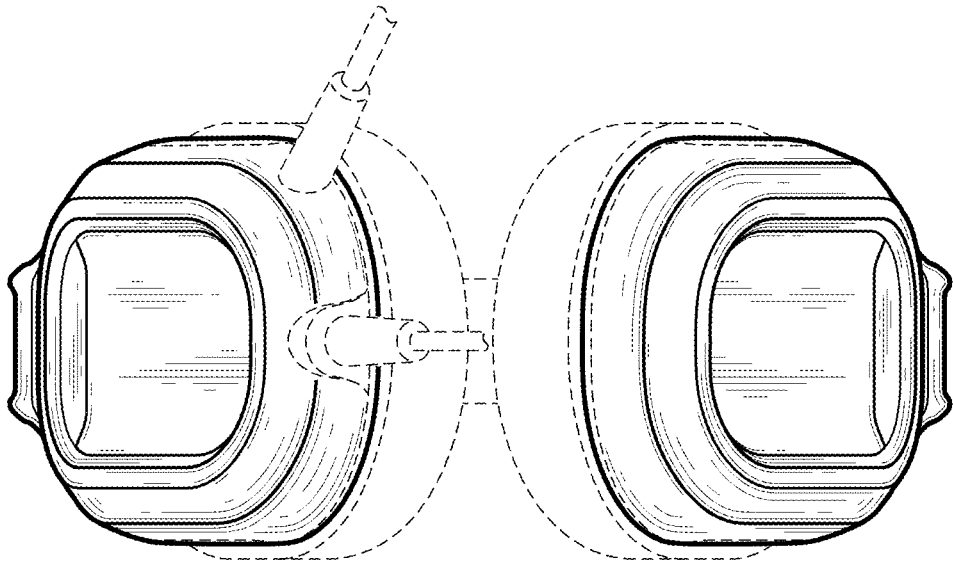


Fig. 3

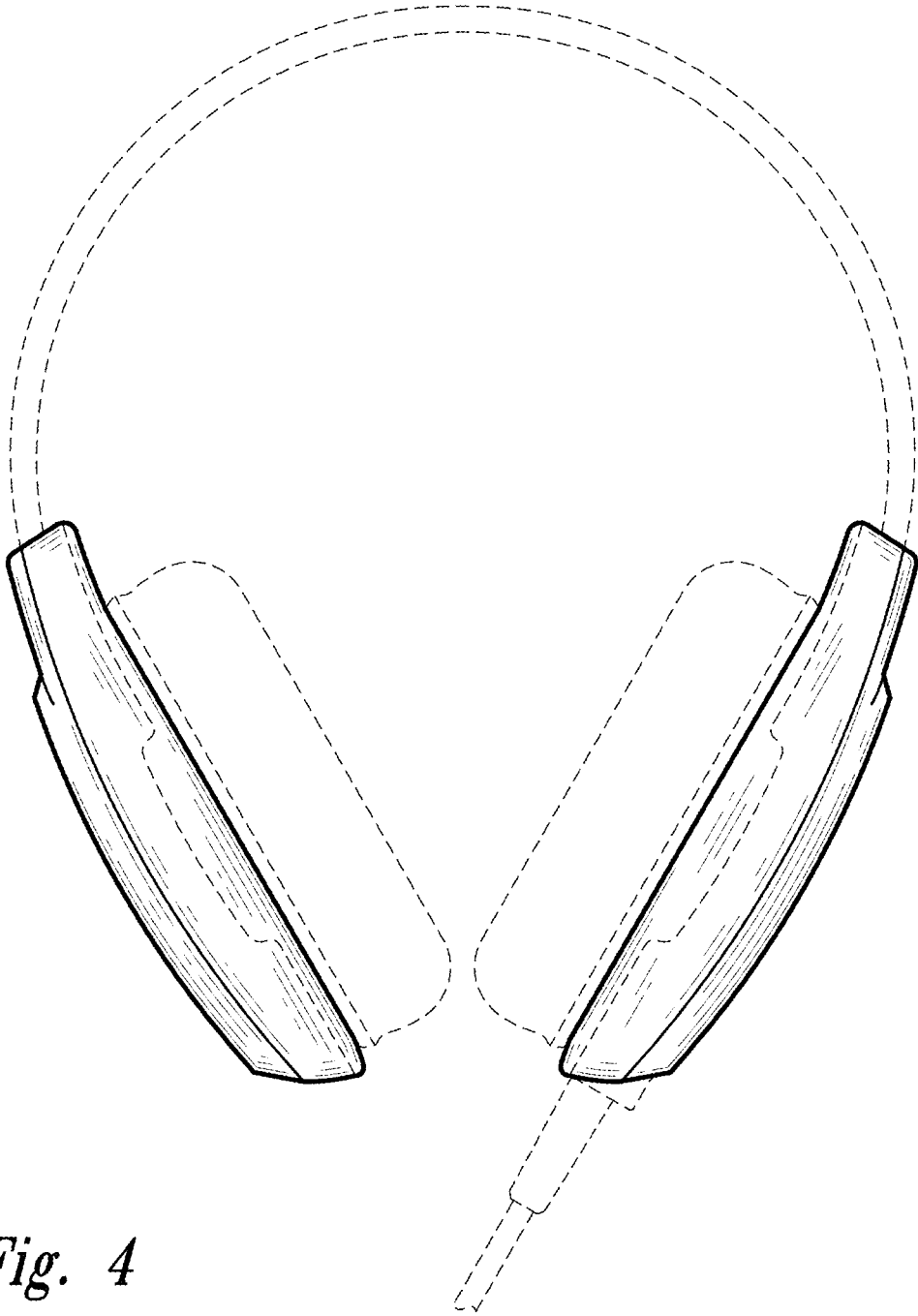


Fig. 4

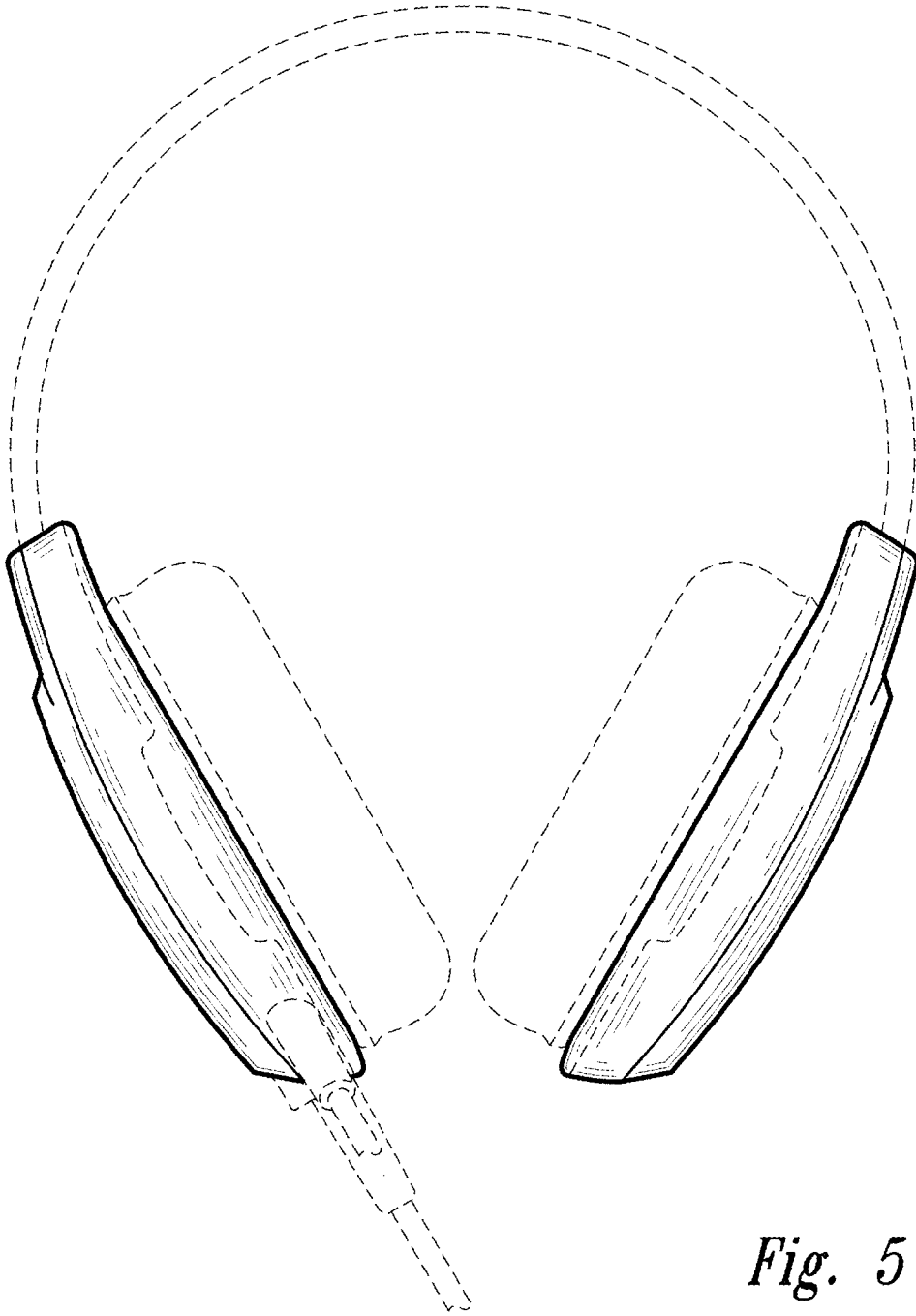


Fig. 5

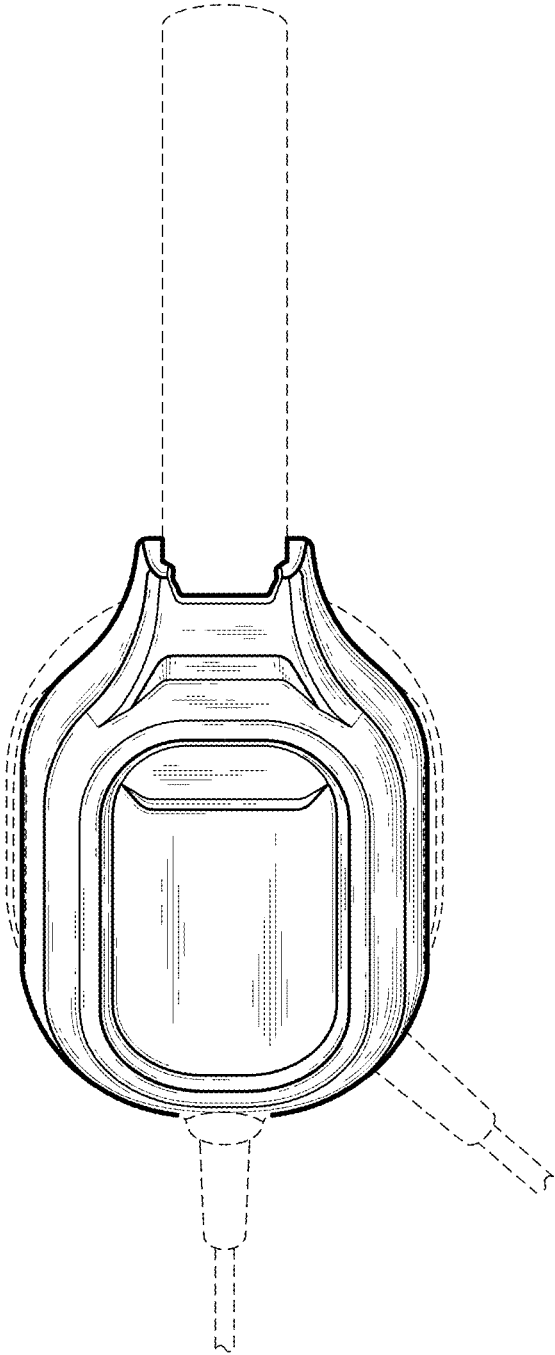


Fig. 6

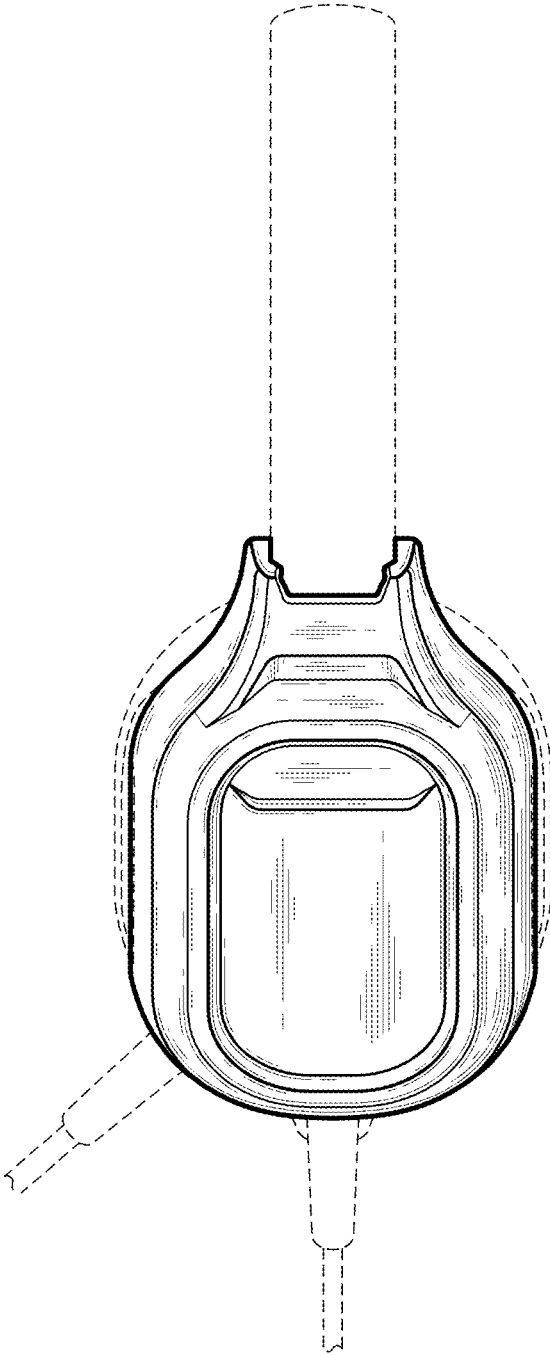


Fig. 7