

(19) World Intellectual Property Organization
International Bureau



(43) International Publication Date
16 September 2004 (16.09.2004)

PCT

(10) International Publication Number
WO 2004/079901 A3

(51) International Patent Classification⁷: **H04R 3/00**

(21) International Application Number:
PCT/DK2004/000141

(22) International Filing Date: 3 March 2004 (03.03.2004)

(25) Filing Language: English

(26) Publication Language: English

(30) Priority Data:
PA 2003 00338 4 March 2003 (04.03.2003) DK

(71) Applicant (for all designated States except US): **OTICON A/S** [DK/DK]; Strandvejen 58, DK-2900 Hellerup (DK).

(72) Inventors; and

(75) Inventors/Applicants (for US only): **BEHRENS, Thomas** [DK/DK]; c/o Oticon A/S, Strandvejen 58, DK-2900 Hellerup (DK). **KJEMS, Ulrik** [DK/DK]; c/o Oticon A/S, Strandvejen 58, DK-2900 Hellerup (DK). **NIELSEN, Thomas, Bo** [DK/DK]; c/o Oticon A/S, Strandvejen 58, DK-2900 Hellerup (DK).

(81) Designated States (unless otherwise indicated, for every kind of national protection available): AE, AG, AL, AM, AT, AU, AZ, BA, BB, BG, BR, BW, BY, BZ, CA, CH, CN,

CO, CR, CU, CZ, DE, DK, DM, DZ, EC, EE, EG, ES, FI, GB, GD, GE, GH, GM, HR, HU, ID, IL, IN, IS, JP, KE, KG, KP, KR, KZ, LC, LK, LR, LS, LT, LU, LV, MA, MD, MG, MK, MN, MW, MX, MZ, NA, NI, NO, NZ, OM, PG, PH, PL, PT, RO, RU, SC, SD, SE, SG, SK, SL, SY, TJ, TM, TN, TR, TT, TZ, UA, UG, US, UZ, VC, VN, YU, ZA, ZM, ZW.

(84) Designated States (unless otherwise indicated, for every kind of regional protection available): ARIPO (BW, GH, GM, KE, LS, MW, MZ, SD, SL, SZ, TZ, UG, ZM, ZW), Eurasian (AM, AZ, BY, KG, KZ, MD, RU, TJ, TM), European (AT, BE, BG, CH, CY, CZ, DE, DK, EE, ES, FI, FR, GB, GR, HU, IE, IT, LU, MC, NL, PL, PT, RO, SE, SI, SK, TR), OAPI (BF, BJ, CF, CG, CI, CM, GA, GN, GQ, GW, ML, MR, NE, SN, TD, TG).

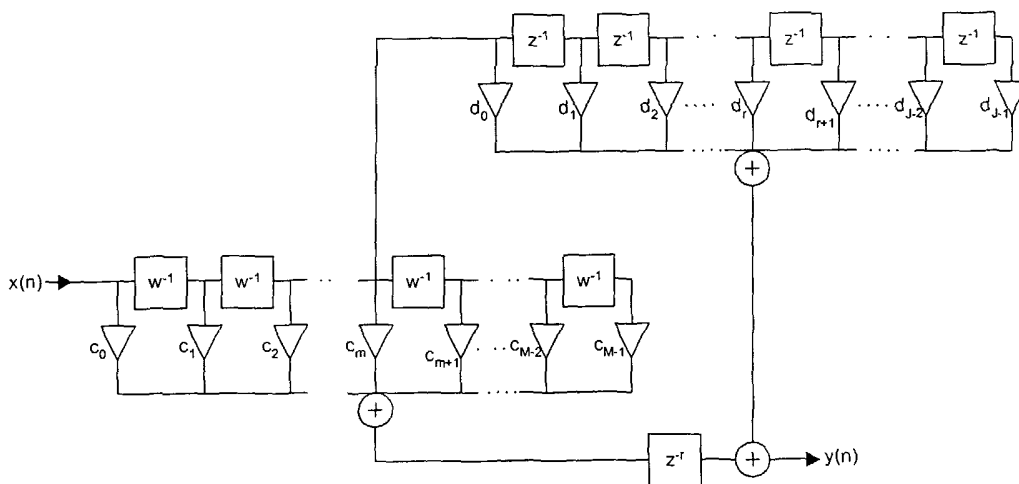
Published:

- with international search report
- before the expiration of the time limit for amending the claims and to be republished in the event of receipt of amendments

(88) Date of publication of the international search report:
25 November 2004

For two-letter codes and other abbreviations, refer to the "Guidance Notes on Codes and Abbreviations" appearing at the beginning of each regular issue of the PCT Gazette.

(54) Title: DIGITAL FILTER AND LISTENING DEVICE



(57) Abstract: The invention concerns a digital filter. The filter comprises at least a first and a second 5 delayed summation line, whereby one of the delay lines comprise a warped filter FIR filter and the other line is a FIR filter, whereby: at least two delayed summation lines are present, midpoint elements from the first delayed summation line are used as input to the second delayed summation line, output from the first delayed summation line is delayed with a delay corresponding to the total delay of the second delayed summation line, the delayed output from the first delayed summation line is added to output from the second delayed summation line to form a new output.

WO 2004/079901 A3

INTERNATIONAL SEARCH REPORT

national Application No
PCT/DK2004/000141

A. CLASSIFICATION OF SUBJECT MATTER
IPC 7 H04R3/00

According to International Patent Classification (IPC) or to both national classification and IPC

B. FIELDS SEARCHED
Minimum documentation searched (classification system followed by classification symbols)
IPC 7 H04R

Documentation searched other than minimum documentation to the extent that such documents are included in the fields searched

Electronic data base consulted during the international search (name of data base and, where practical, search terms used)
EPO-Internal, WPI Data, PAJ, COMPENDEX, INSPEC, IBM-TDB

C. DOCUMENTS CONSIDERED TO BE RELEVANT

Category °	Citation of document, with indication, where appropriate, of the relevant passages	Relevant to claim No.
A	HARMA A ET AL: "FREQUENCY-WARPED SIGNAL PROCESSING FOR AUDIO APPLICATIONS" JOURNAL OF THE AUDIO ENGINEERING SOCIETY, AUDIO ENGINEERING SOCIETY. NEW YORK, US, vol. 48, no. 11, November 2000 (2000-11), pages 1011-1031, XP001177399 ISSN: 0004-7554 cited in the application paragraph '0002! paragraph '03.3!	1-5
A	EP 1 191 814 A (TOEPHOLM & WESTERMANN) 27 March 2002 (2002-03-27) cited in the application figure 6 figure 7	1-5

Further documents are listed in the continuation of box C. Patent family members are listed in annex.

° Special categories of cited documents :

A document defining the general state of the art which is not considered to be of particular relevance	*T* later document published after the international filing date or priority date and not in conflict with the application but cited to understand the principle or theory underlying the invention
E earlier document but published on or after the international filing date	*X* document of particular relevance; the claimed invention cannot be considered novel or cannot be considered to involve an inventive step when the document is taken alone
L document which may throw doubts on priority claim(s) or which is cited to establish the publication date of another citation or other special reason (as specified)	*Y* document of particular relevance; the claimed invention cannot be considered to involve an inventive step when the document is combined with one or more other such documents, such combination being obvious to a person skilled in the art.
O document referring to an oral disclosure, use, exhibition or other means	*&* document member of the same patent family
P document published prior to the international filing date but later than the priority date claimed	

Date of the actual completion of the international search 14 October 2004	Date of mailing of the international search report 21/10/2004
--	--

Name and mailing address of the ISA European Patent Office, P.B. 5818 Patentlaan 2 NL - 2280 HV Rijswijk Tel. (+31-70) 340-2040, Tx. 31 651 epo nl, Fax: (+31-70) 340-3016	Authorized officer Fachado Romano, A
--	---

INTERNATIONAL SEARCH REPORT

national Application No
PCT/DK2004/000141

C.(Continuation) DOCUMENTS CONSIDERED TO BE RELEVANT

Category °	Citation of document, with indication, where appropriate, of the relevant passages	Relevant to claim No.
A	<p>HARMA A: "Implementation of frequency-warped recursive filters" SIGNAL PROCESSING, AMSTERDAM, NL, vol. 80, no. 3, March 2000 (2000-03), pages 543-548, XP004188172 ISSN: 0165-1684 abstract paragraph '0002!</p>	1
A	<p>----- WANG PENG ET AL: "Multiband warped filter equalizer design for loudspeaker systems" IEEE, vol. 2, 5 June 2000 (2000-06-05), pages 913-916, XP010504872 ICASSP 2000 abstract paragraph '0001! figure 6</p>	1
P,A	<p>----- KATES J M ED - MATTHEWS M B (ED) INSTITUTE OF ELECTRICAL AND ELECTRONICS ENGINEERS: "Dynamic-range compression using digital frequency warping" CONFERENCE RECORD OF THE 37TH. ASILOMAR CONFERENCE ON SIGNALS, SYSTEMS, & COMPUTERS. PACIFIC GROOVE, CA, NOV. 9 - 12, 2003, ASILOMAR CONFERENCE ON SIGNALS, SYSTEMS AND COMPUTERS, NEW YORK, NY : IEEE, US, vol. VOL. 1 OF 2. CONF. 37, 9 November 2003 (2003-11-09), pages 715-719, XP010701136 ISBN: 0-7803-8104-1 abstract paragraph 'INTRODUCTION!</p>	1
A	<p>----- TYRIL M ET AL: "DIGITAL FILTERS FOR LOW-FREQUENCY EQUALIZATION" JOURNAL OF THE AUDIO ENGINEERING SOCIETY, AUDIO ENGINEERING SOCIETY. NEW YORK, US, vol. 49, no. 1/2, January 2001 (2001-01), pages 36-43, XP001112483 ISSN: 0004-7554 paragraph 'INTRODUCTION! paragraph '01.2! paragraph '0004!</p> <p style="text-align: center;">----- -/--</p>	1

INTERNATIONAL SEARCH REPORT

International Application No
PCT/DK2004/000141

C.(Continuation) DOCUMENTS CONSIDERED TO BE RELEVANT		
Category °	Citation of document, with indication, where appropriate, of the relevant passages	Relevant to claim No.
A	<p>KARJALAINEN M ET AL: "Warped filters and their audio applications" APPLICATIONS OF SIGNAL PROCESSING TO AUDIO AND ACOUSTICS, 1997. 1997 IEEE ASSP WORKSHOP ON NEW PALTZ, NY, USA 19-22 OCT. 1997, NEW YORK, NY, USA, IEEE, US, 19 October 1997 (1997-10-19), page 4pp, XP010248220 ISBN: 0-7803-3908-8 abstract; figure 1 -----</p>	1

INTERNATIONAL SEARCH REPORT
information on patent family members

International Application No
PCT/DK2004/000141

Patent document cited in search report		Publication date	Patent family member(s)	Publication date
EP 1191814	A	27-03-2002	EP 1191813 A1	27-03-2002
			EP 1191814 A1	27-03-2002
			AU 8959201 A	02-04-2002
			CA 2417803 A1	28-03-2002
			WO 0225996 A1	28-03-2002
			JP 2004509543 T	25-03-2004
			US 2002057814 A1	16-05-2002
			US 2004136557 A1	15-07-2004
<hr/>				